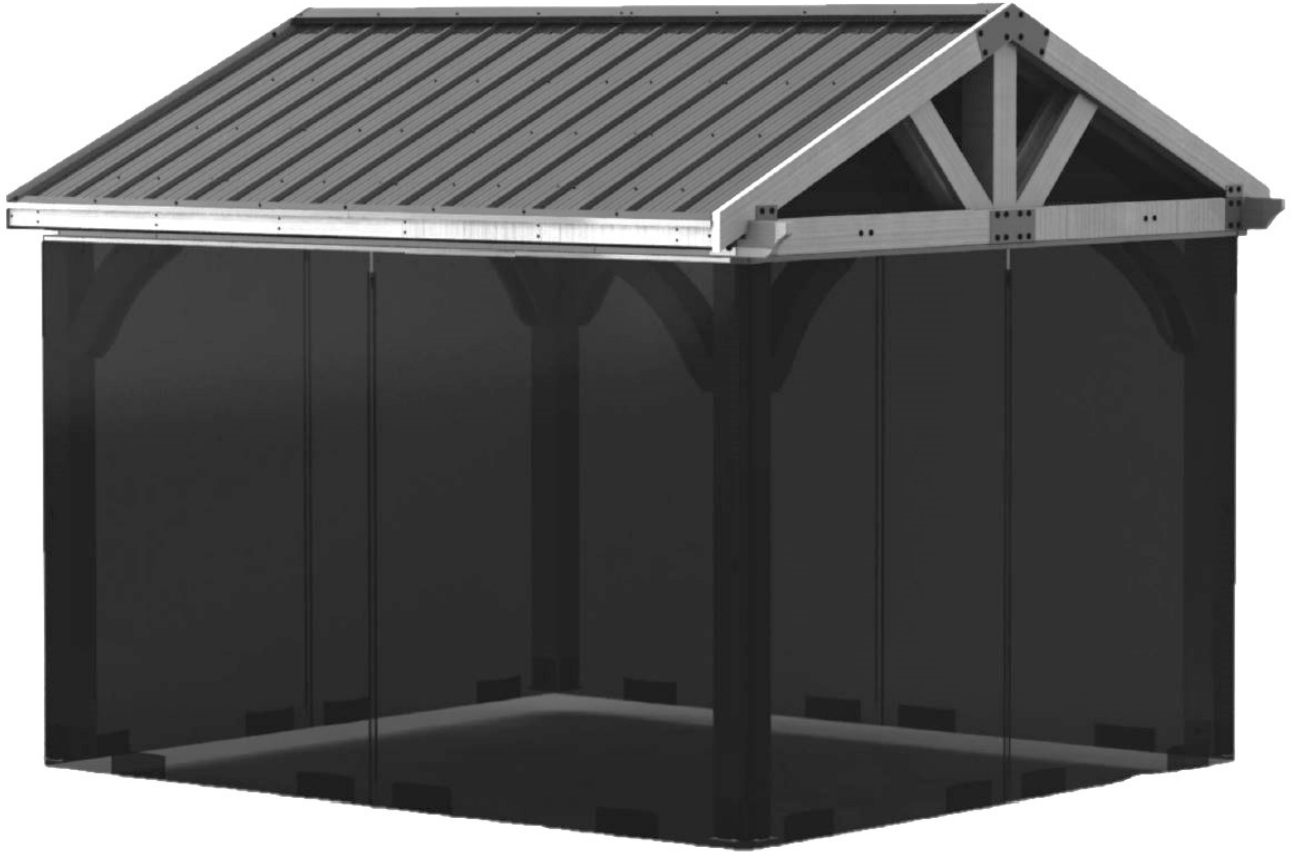




Manufactured by:
Backyard Discovery
3305 Airport Drive, Pittsburg, KS 66762
800-856-4445

Basepoint Business Centre: Rivermead Drive, Westlea, Swindon SN5 7EX Phone: 0800-118-2476
J.P. Coenstraat 7, The Bridge, The Hague, 2595 WP, Netherlands Phone: 08005678990

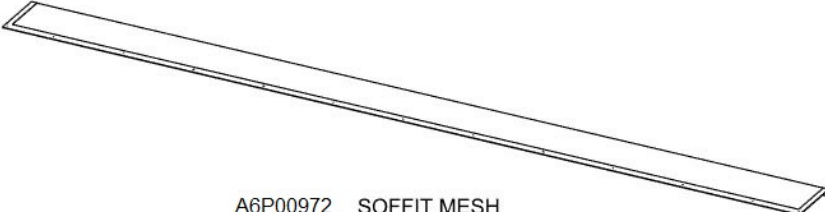
12x10 ARLINGTON GAZEBO MOSQUITO MESH KIT MODEL # : 9230262



Please visit www.backyarddiscovery.com
For the most up to date assembly manual, to register your product, or to order
replacement parts *Para obtener instrucciones en español, visite*
www.backyarddiscovery.com

OWNER'S MANUAL - PARTS IDENTIFICATION

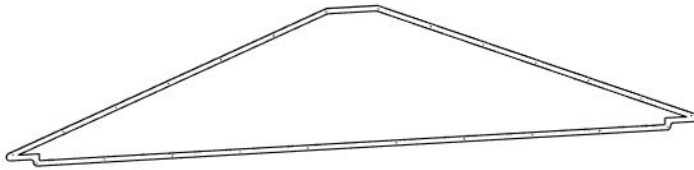
ACCESSORY COMPONENTS (NOT TO SIZE)



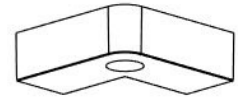
A6P00972 SOFFIT MESH
(x2)



A6P00983 GABLE SOFFIT MESH
(x4)



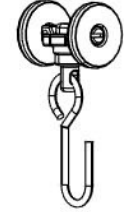
A6P00971 GABLE MESH
(x2)



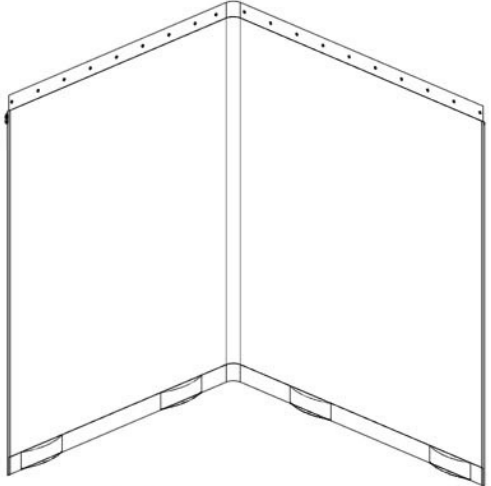
A6P00976 CORNER CAP
(x4)



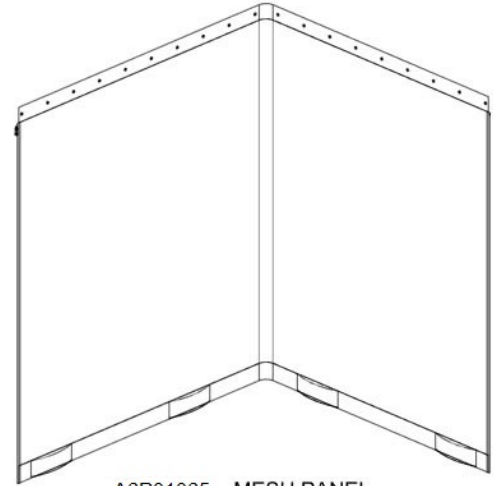
A6P00752 MESH PANEL TIE
(x4)



A6P00535 MESH PANEL HOOK
(x68)



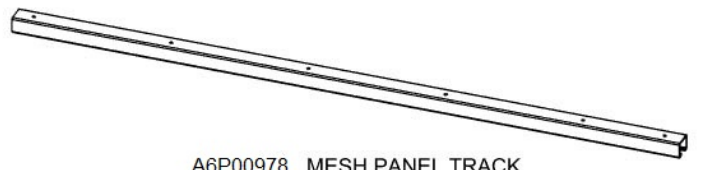
A6P00974 MESH PANEL
(x2)



A6P01065 MESH PANEL
(x2)



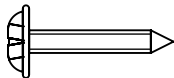
A6P00977 MESH PANEL TRACK
(x8)



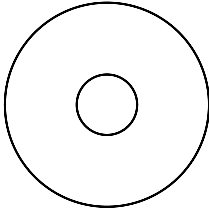
A6P00978 MESH PANEL TRACK
(x4)

OWNER'S MANUAL - PARTS IDENTIFICATION

HARDWARE COMPONENTS



H100392 | SCREW PWH BLK
(x230) | 8 x 3/4



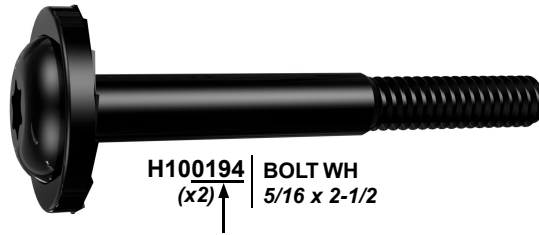
H100478 | WASHER FLAT BLK
(x8) | 8 x 27

PRE-ASSEMBLY STEP 1 - SORTING PARTS

It is critical for ease of assembly that you take the time to sort and organize the parts and hardware.

HARDWARE PARTS:

- We recommend that you have a separate table to organize the hardware.
- Hardware bags are printed with a seven-digit, alpha-numeric part number.
- You can organize your hardware by part number or group by hardware type (i.e. bolts, nuts, etc.).
- During assembly you only need to reference the last four digits of the number.



TOOLS REQUIRED:



Cordless Drill or
Electric Drill



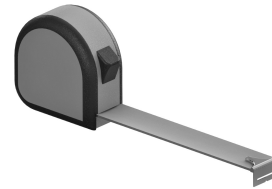
Drill Attachments:
Phillips Head



1/8" & 3/8" Drill
Bits



Phillips Screw Driver



Tape Measure

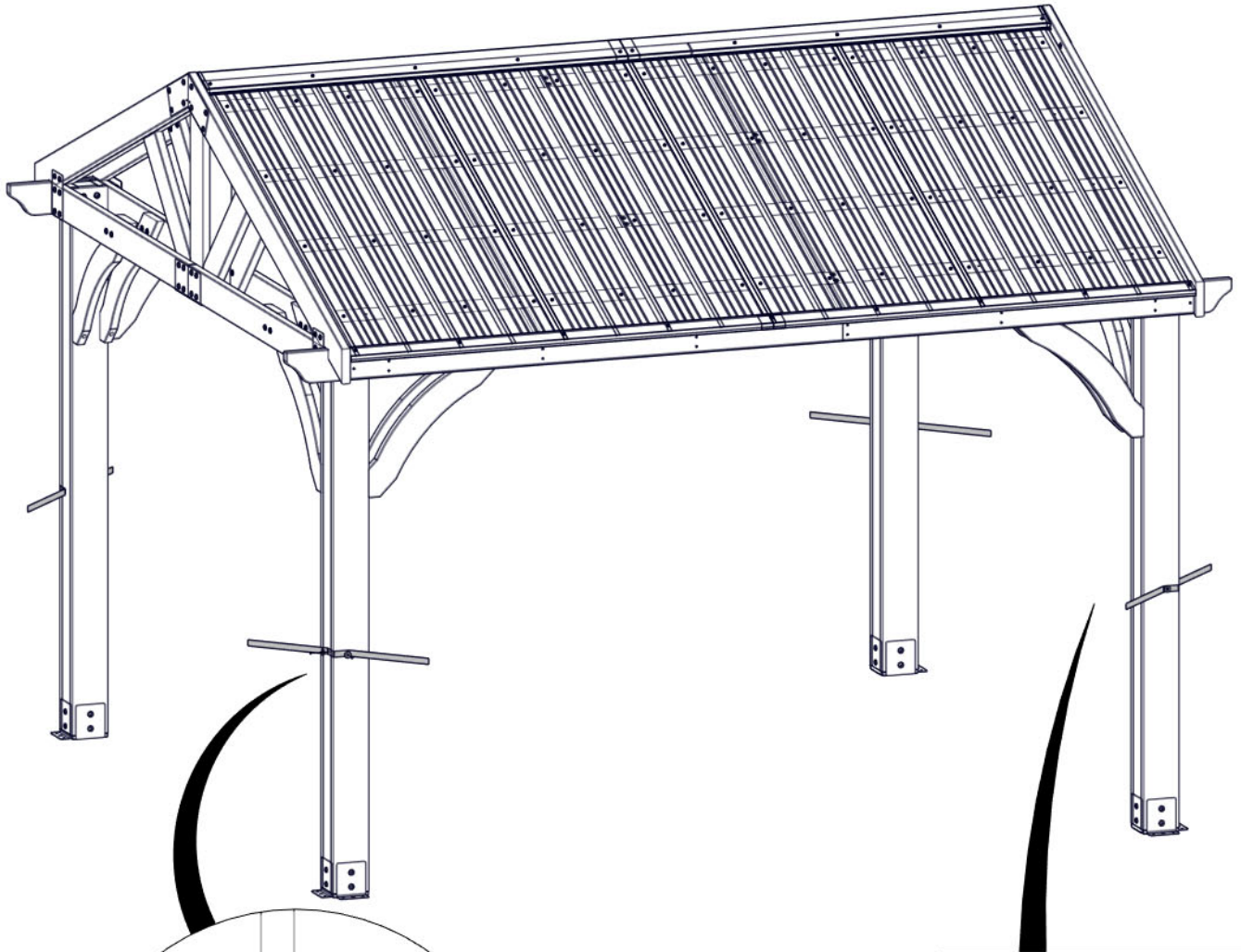
STEP 1 - TIES

QTY	PART NUMBER	DESCRIPTION
8	H100478	WASHER FLAT 8x27 BLK
8	H100392	SCREW PWH 8x3/4 BLK



A6P00752 MESH PANEL TIE
(x4)

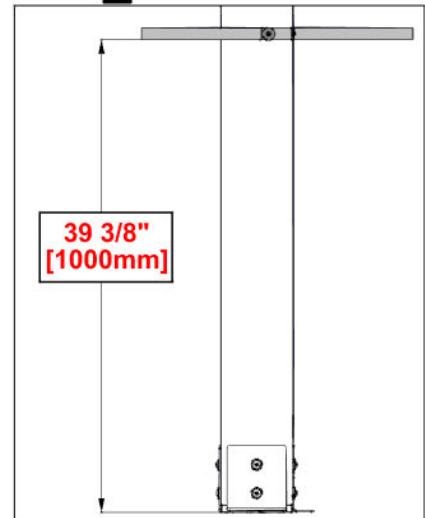
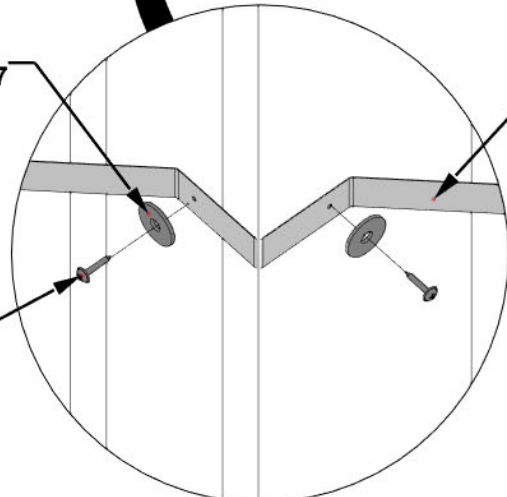
- ATTACH EACH MESH PANEL TIE TO THE POST ASSEMBLY AS SHOWN BELOW.



478 (x8)
WASHER - 8x27

752 (x4)
MESH PANEL TIE

392 (x8)
SCREW - 3/4"

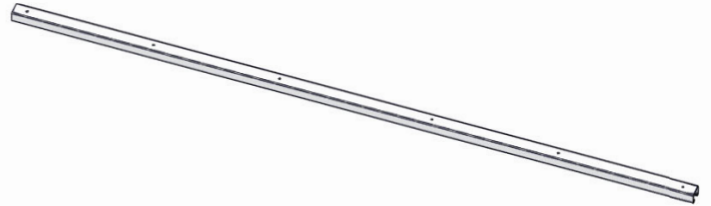


STEP 2 - TRACKS 12FT SIDE

QTY	PART NUMBER	DESCRIPTION
32	H100392	SCREW PWH 8x3/4 BLK

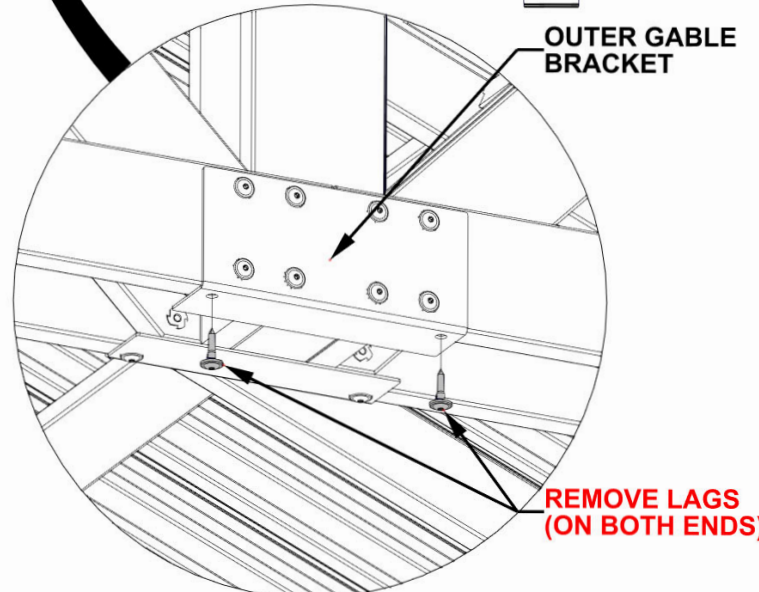
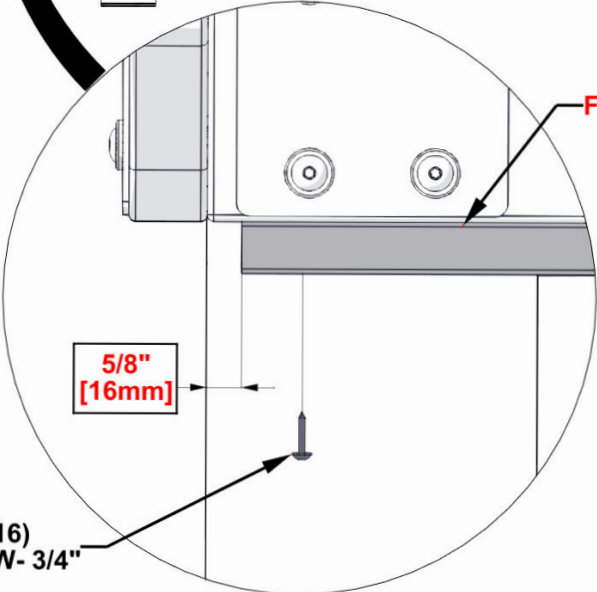
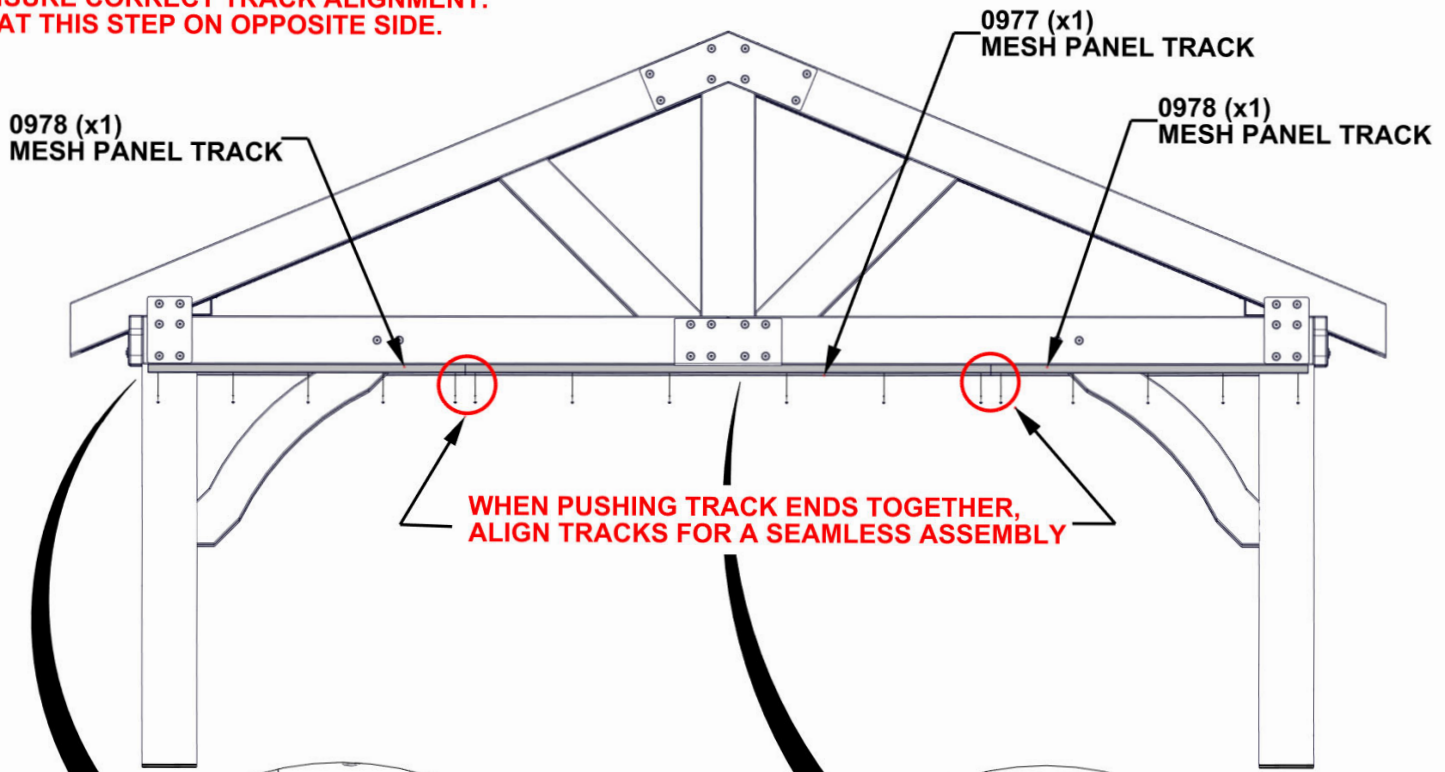


A6P00978 MESH PANEL TRACK
(x4)



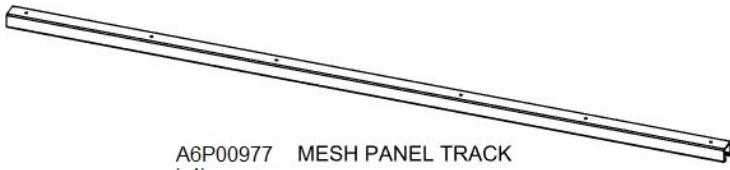
A6P00977 MESH PANEL TRACK
(x2)

- REMOVE (2) LAGS FROM UNDERNEATH SIDE OF OUTER GABLE BRACKET AS SHOWN BELOW ON BOTH ENDS OF GAZEBO.
- ATTACH TRACK TO BOTTOM SIDE OF GABLE AS SHOWN.
- ADDITIONAL PEOPLE ARE HELPFUL FOR THIS STEP
- IT IS IMPORTANT TO HOLD 5/8" SPACING BETWEEN END OF GABLE AND TRACK ON BOTH SIDES OF THE UNIT TO ENSURE CORRECT TRACK ALIGNMENT.
- REPEAT THIS STEP ON OPPOSITE SIDE.



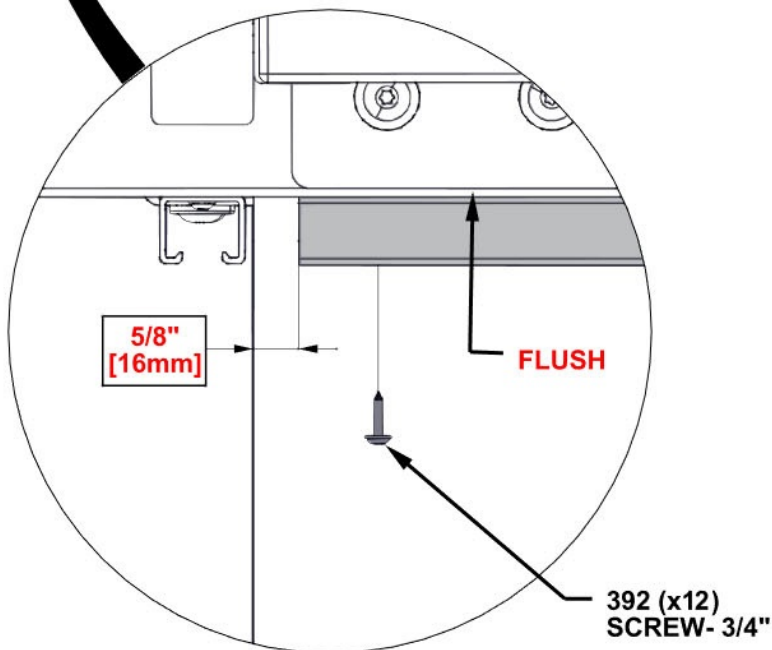
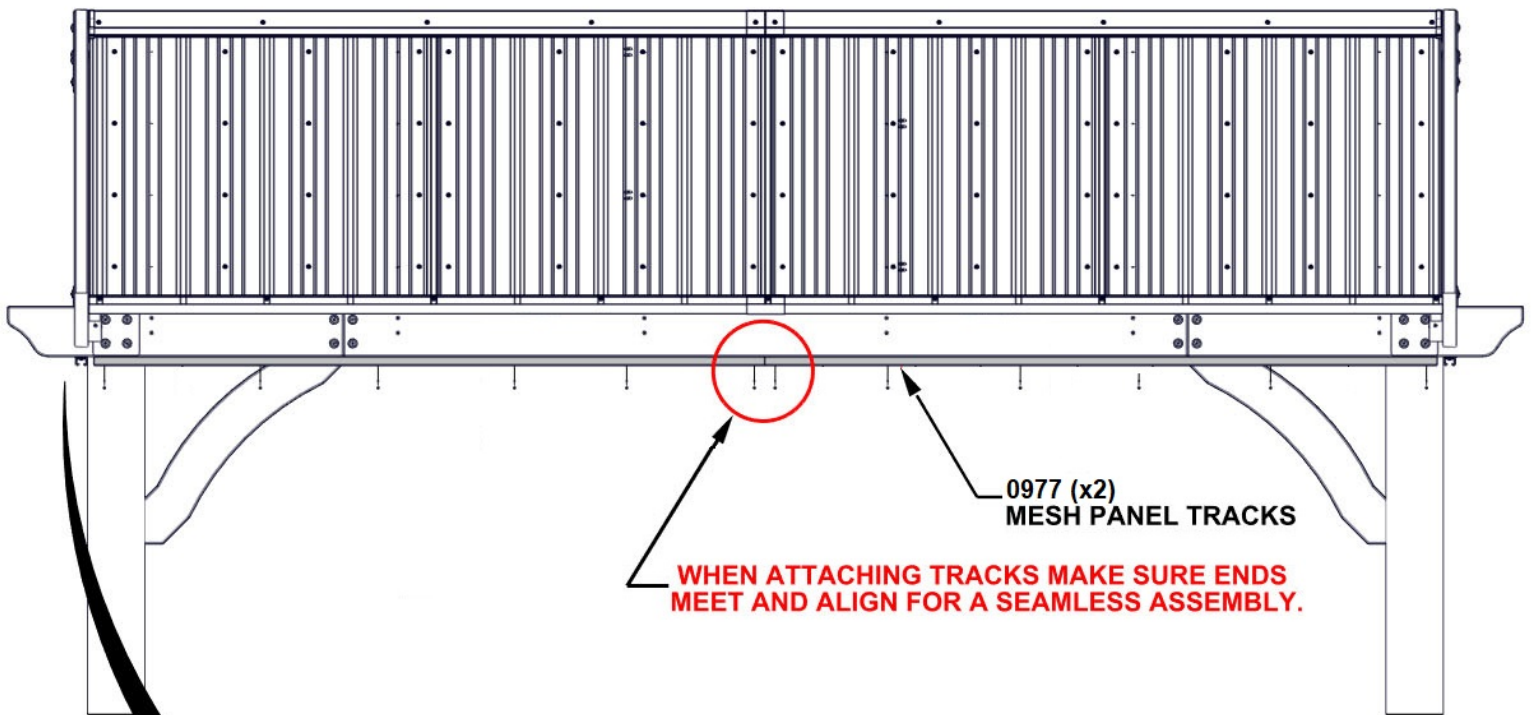
STEP 3 - TRACKS 10FT SIDE

QTY	PART NUMBER	DESCRIPTION
24	H100392	SCREW PWH 8x3/4 BLK

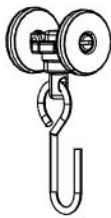


A6P00977 MESH PANEL TRACK
(x4)

- ATTACH TRACK TO BOTTOM SIDE OF FASCIA AS SHOWN.
- ADDITIONAL PEOPLE ARE HELPFUL FOR THIS STEP.
- START AT ONE END OF GABLE SIDE AND MEASURE 5/8" [16mm] FROM THE OUTSIDE OF THE POST AS SHOWN.
- REPEAT THIS STEP ON OPPOSITE SIDE.

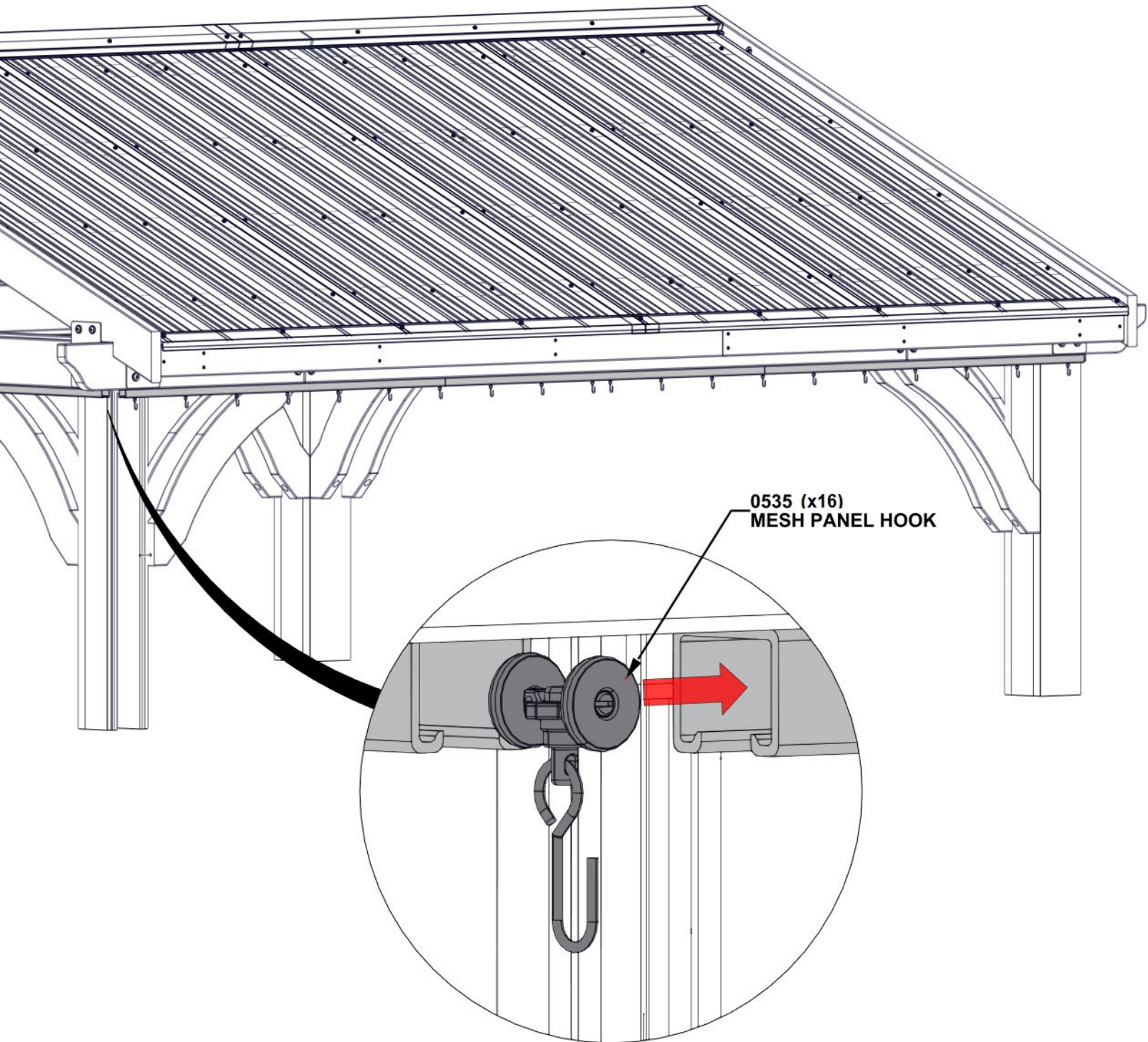


STEP 4 - HOOK INSTALLATION 10FT SIDE

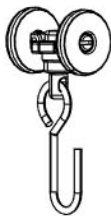


A6P00535 MESH PANEL HOOK
(x32)

- INSERT 16 MESH PANEL HOOKS INTO TRACK.
- REPEAT THIS STEP ON OPPOSITE SIDE.

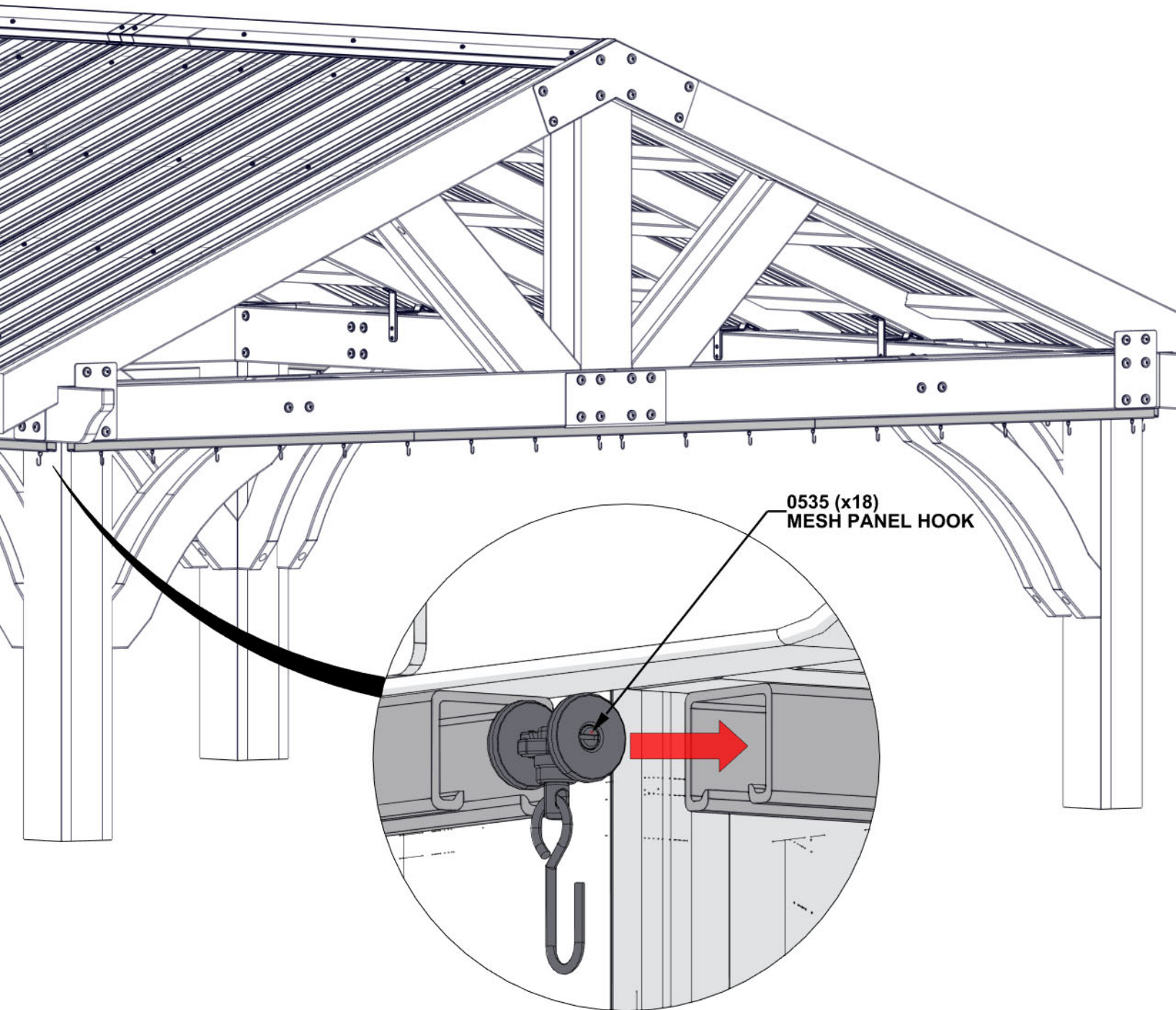


STEP 5 - HOOK INSTALLATION GABLE SIDE



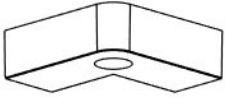
A6P00535 MESH PANEL HOOK
(x36)

- INSERT 18 MESH PANEL HOOKS INTO TRACK.
- REPEAT THIS STEP ON OPPOSITE SIDE.



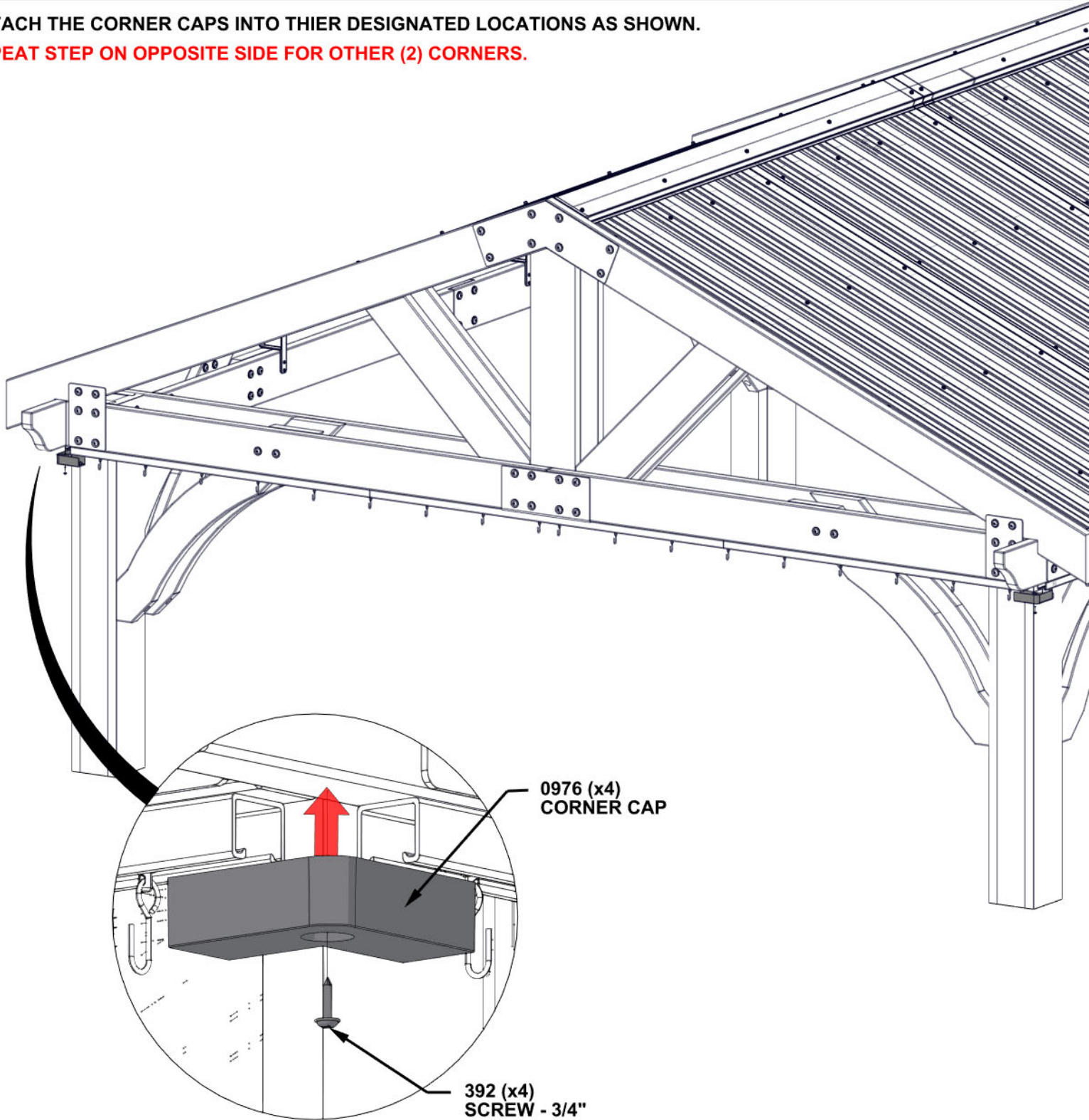
STEP 6 - CORNER CAP INSTALLATION

QTY	PART NUMBER	DESCRIPTION
4	H100392	SCREW PWH 8x3/4 BLK



A6P00976 CORNER CAP
(x4)

- ATTACH THE CORNER CAPS INTO THEIR DESIGNATED LOCATIONS AS SHOWN.
- REPEAT STEP ON OPPOSITE SIDE FOR OTHER (2) CORNERS.



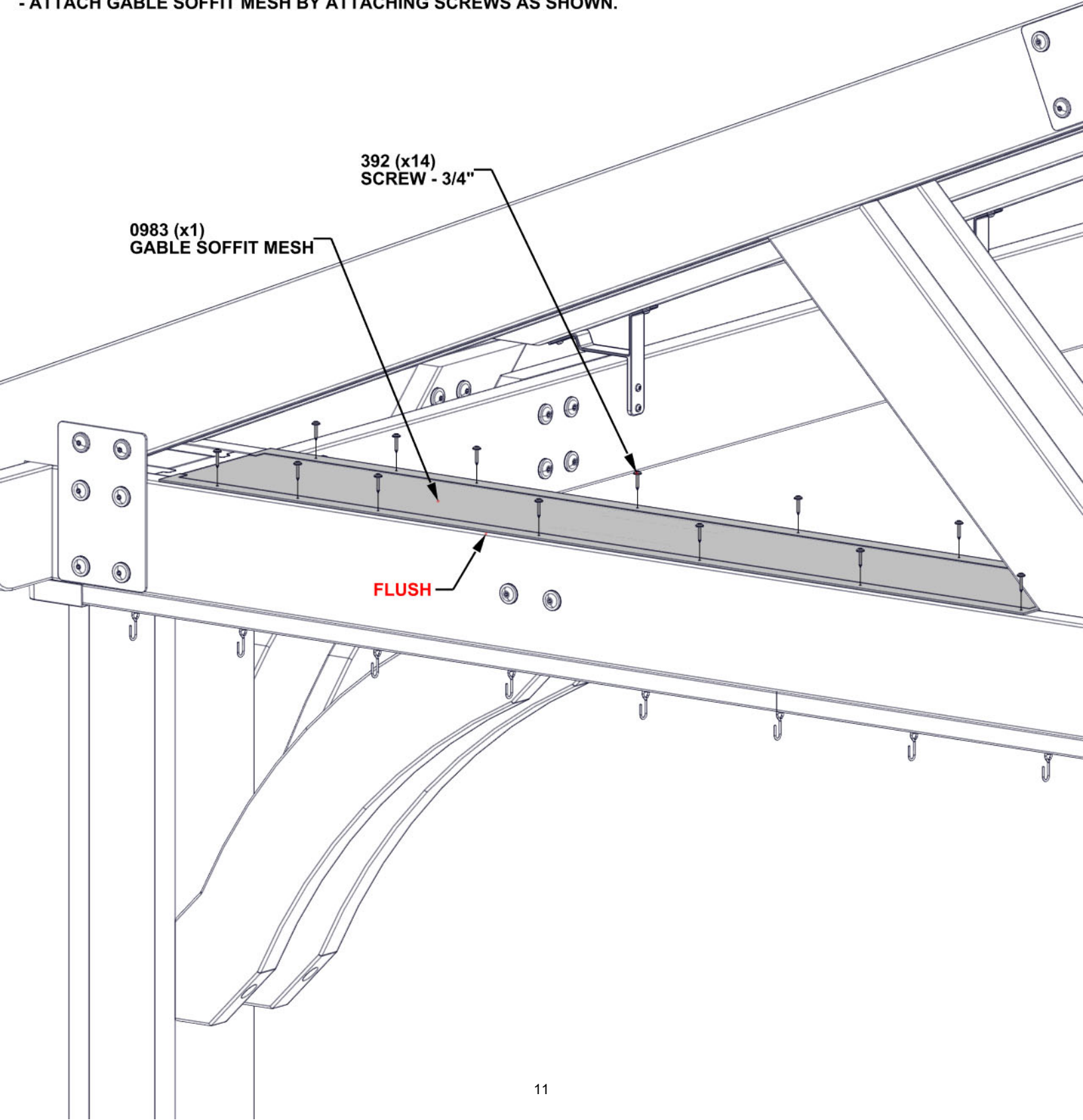
STEP 7A - GABLE SOFFIT MESH ATTACHMENT

QTY	PART NUMBER	DESCRIPTION
14	H100392	SCREW PWH 8x3/4 BLK



A6P00983 GABLE SOFFIT MESH
(x1)

- ATTACH GABLE SOFFIT MESH BY ATTACHING SCREWS AS SHOWN.



392 (x14)
SCREW - 3/4"

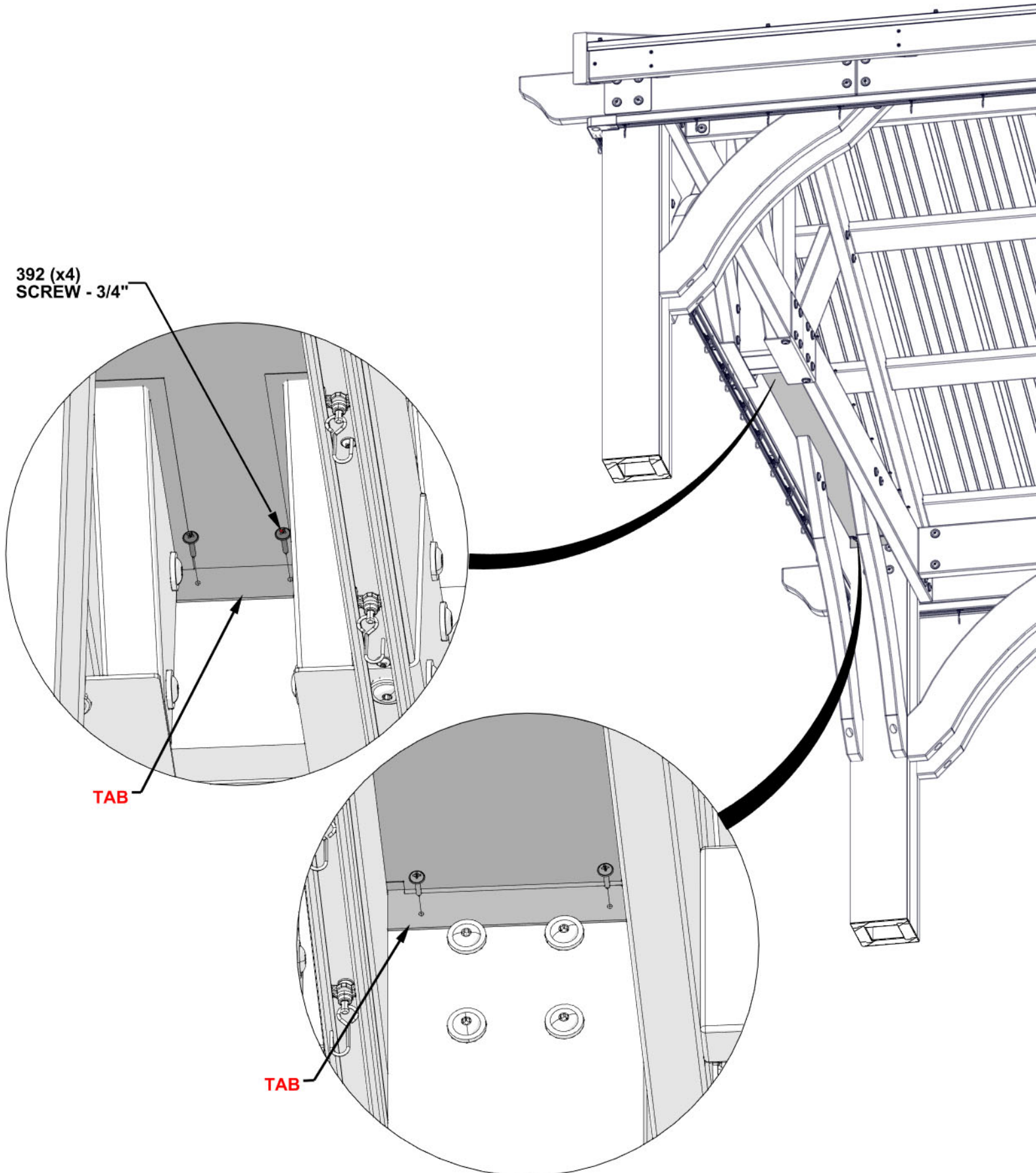
0983 (x1)
GABLE SOFFIT MESH

FLUSH

STEP 7B - GABLE SOFFIT MESH ATTACHMENT

QTY	PART NUMBER	DESCRIPTION
4	H100392	SCREW PWH 8x3/4 BLK

- ALIGN TABS WITH POST AND GABLE BEAM AS SHOWN.
- ATTACH GABLE SOFFIT MESH BY ATTACHING SCREWS AS SHOWN.



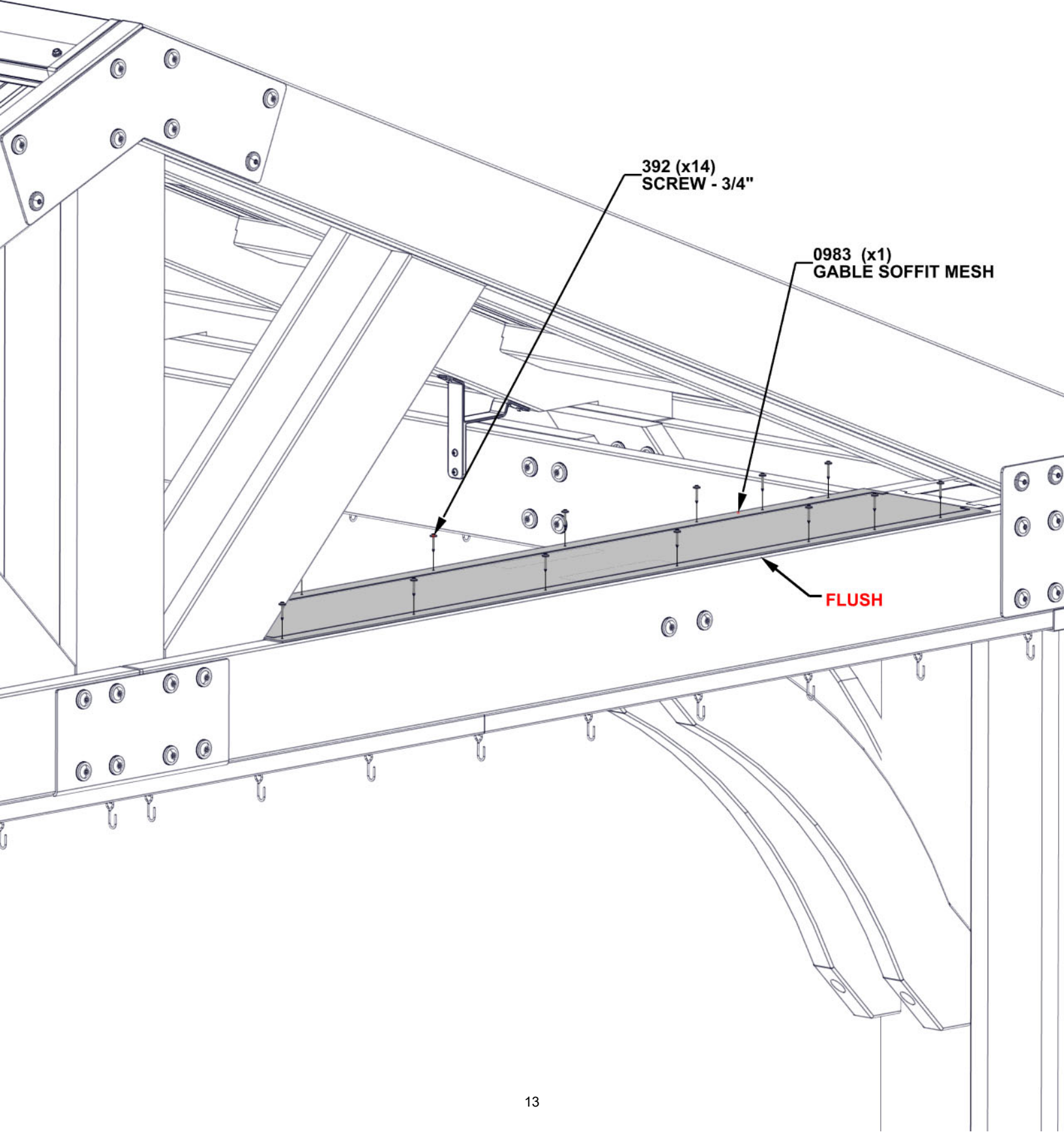
STEP 8A - GABLE SOFFIT MESH ATTACHMENT

QTY	PART NUMBER	DESCRIPTION
14	H100392	SCREW PWH 8x3/4 BLK



A6P00983 GABLE SOFFIT MESH
(x1)

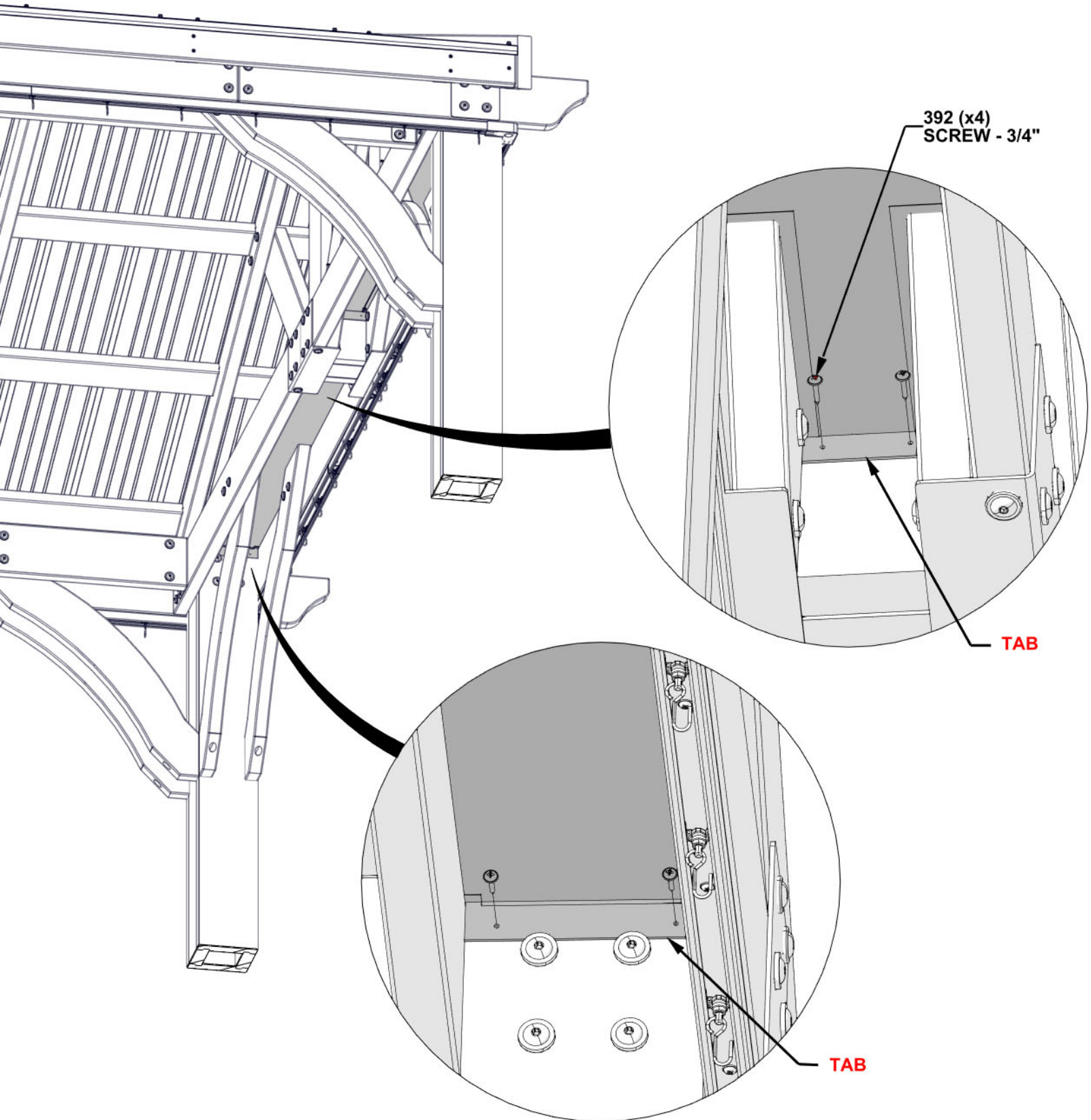
- ATTACH GABLE SOFFIT MESH BY ATTACHING SCREWS AS SHOWN.



STEP 8B - GABLE SOFFIT MESH ATTACHMENT

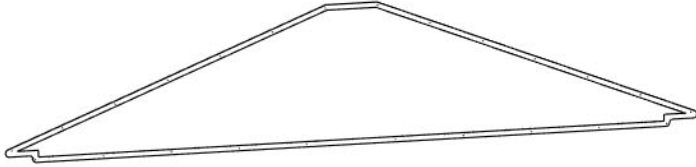
QTY	PART NUMBER	DESCRIPTION
4	H100392	SCREW PWH 8x3/4 BLK

- ALIGN TABS WITH POST AND GABLE BEAM AS SHOWN.
- ATTACH GABLE SOFFIT MESH BY ATTACHING SCREWS AS SHOWN.
- REPEAT STEP (7A-8B) FOR THE OPPOSITE SIDE.



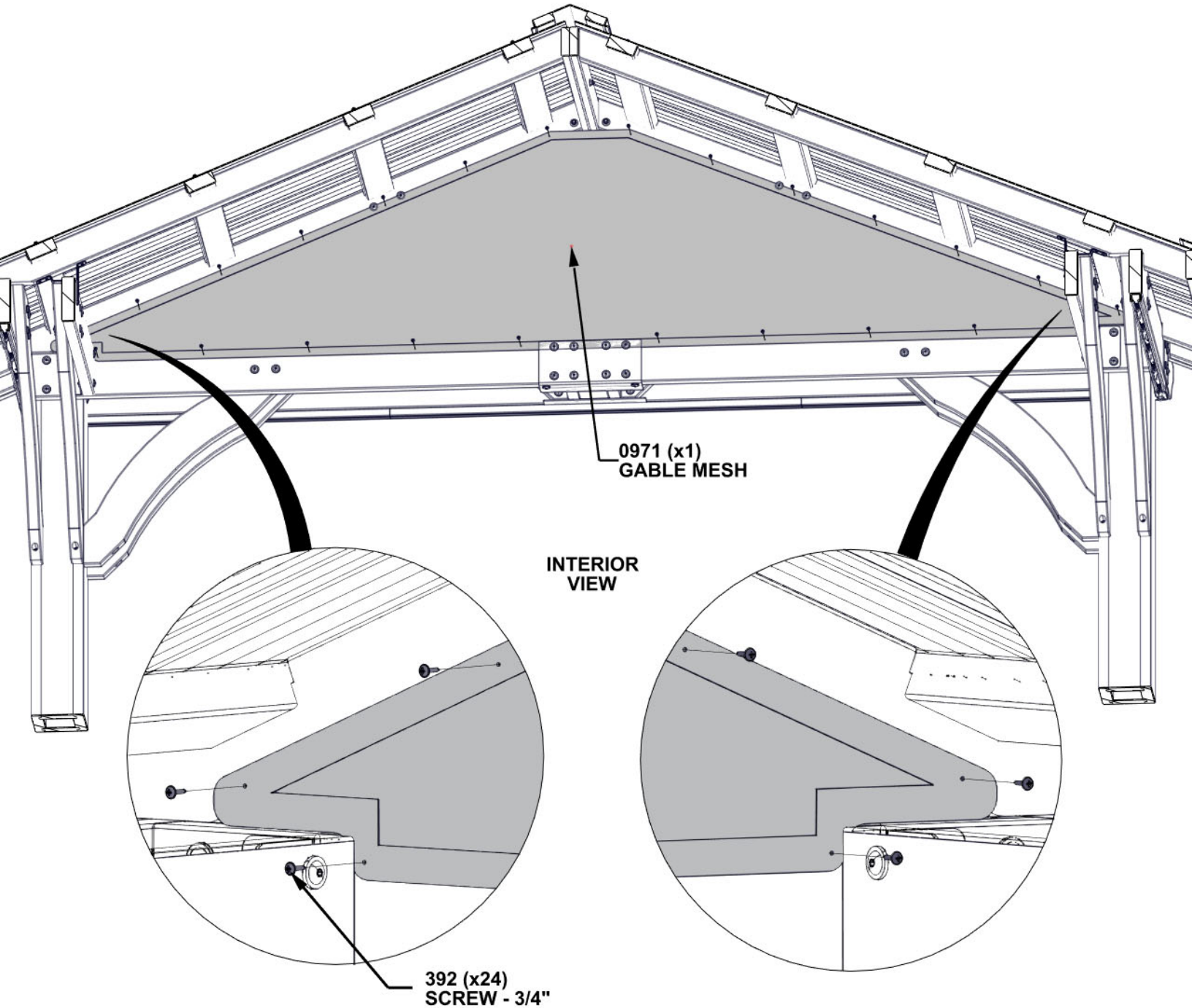
STEP 9 - GABLE MESH ATTACHMENT

QTY	PART NUMBER	DESCRIPTION
48	H100392	SCREW PWH 8x3/4 BLK



A6P00971 GABLE MESH
(x2)

- ATTACH GABLE MESH BY ATTACHING SCREWS AS SHOWN.
- ADDITIONAL PEOPLE ARE HELPFUL FOR THIS STEP.
- REPEAT THIS STEP ON OPPOSITE SIDE.



STEP 10 - SOFFIT MESH ATTACHMENT

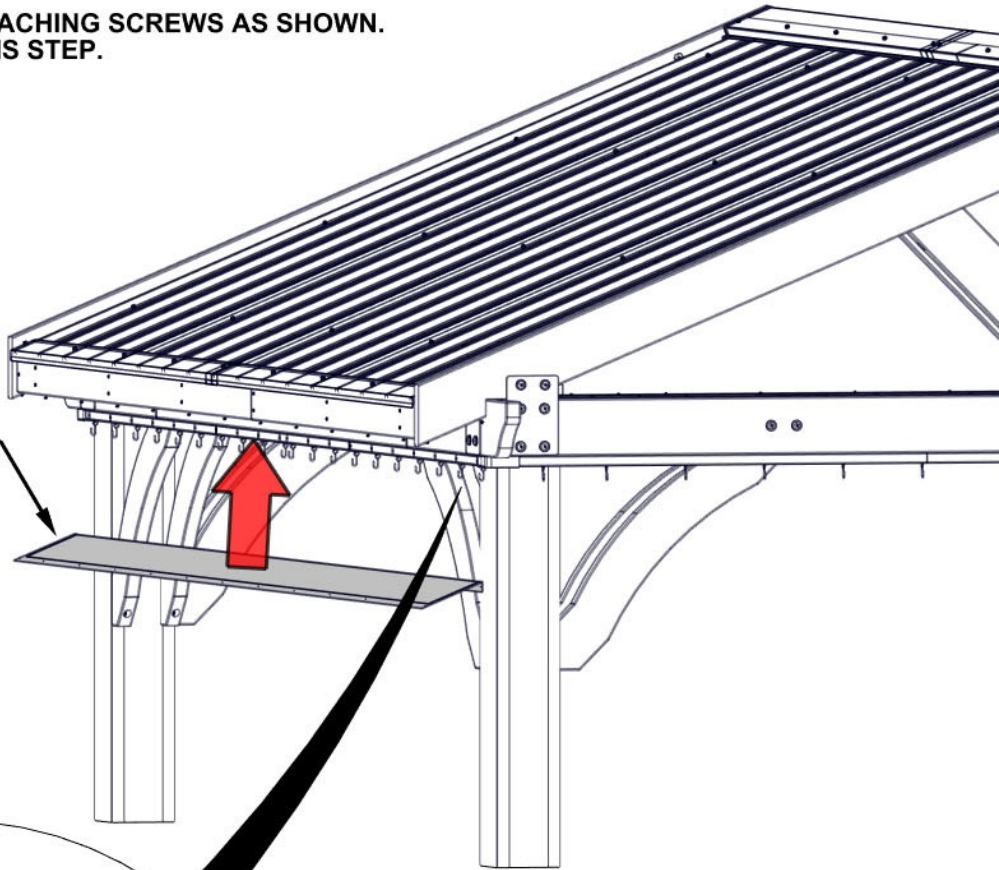
QTY	PART NUMBER	DESCRIPTION
44	H100392	SCREW PWH 8x3/4 BLK



A6P00972 SOFFIT MESH
(x2)

- CENTER AND ATTACH SOFFIT MESH BY ATTACHING SCREWS AS SHOWN.
- ADDITIONAL PEOPLE ARE HELPFUL FOR THIS STEP.
- REPEAT THIS STEP ON OPPOSITE SIDE.

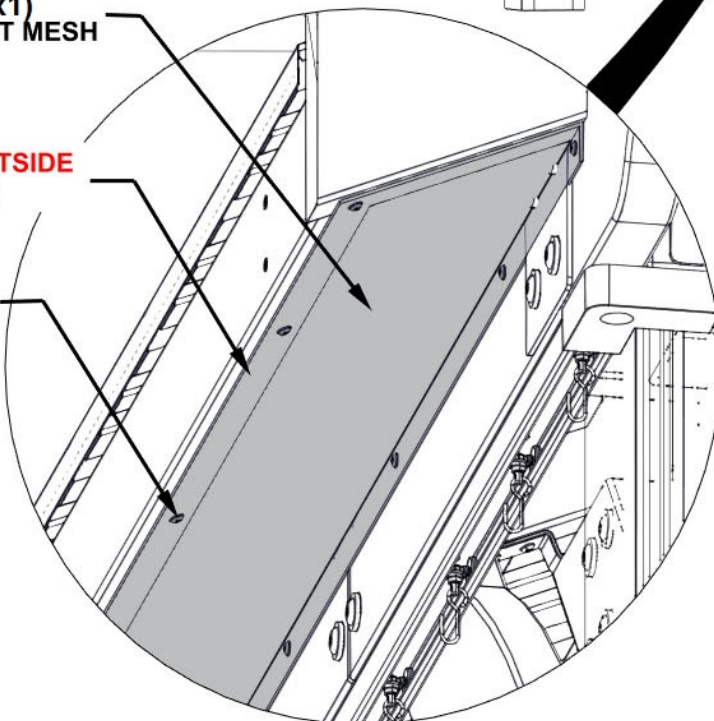
972 (x1)
SOFFIT MESH



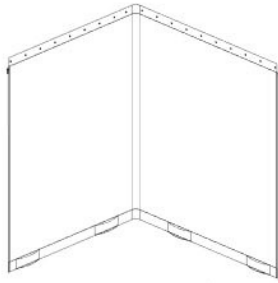
972 (x1)
SOFFIT MESH

ATTACH OUTSIDE
EDGE FIRST

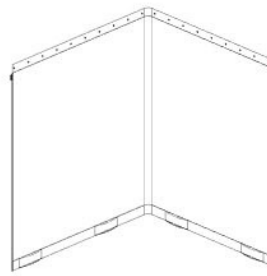
392 (x22)
SCREW - 3/4"



STEP 11 - MESH PANEL INSTALLATION



A6P00974 MESH PANEL (x2)



A6P01065 MESH PANEL (x2)

- EXTRA PEOPLE ARE HELPFUL FOR THIS STEP.

1. EACH PANEL GOES AROUND THE OUTSIDE OF THE POSTS AND COVERS ONE HALF OF THE GABLE SIDE AND ONE HALF OF THE 10FT SIDE.

PAY CAREFUL ATTENTION TO THE MESH PANEL PART NUMBERS AS YOU WILL ALTERNATE THEM WHEN HANGING (SEE IMAGE)

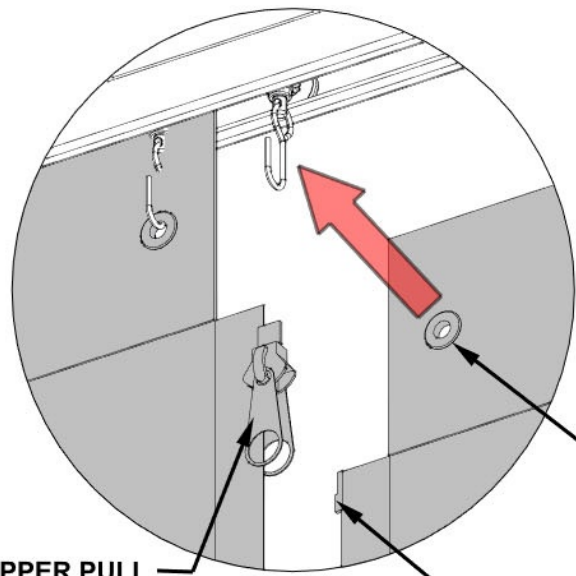
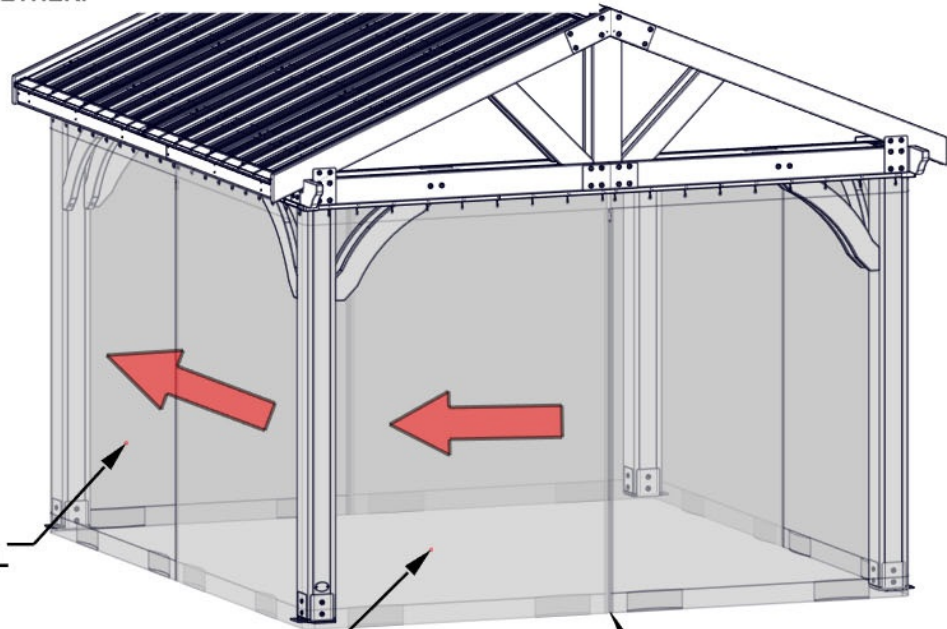
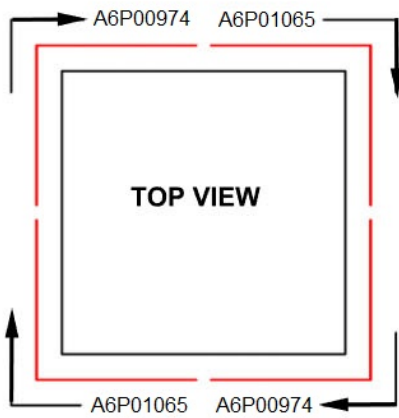
2. THE POCKETS AT THE BOTTOM OF THE PANELS SHOULD BE FACING THE INSIDE OF THE GAZEBO.

ZIPPERS WILL NOT ALIGN IF PANELS ARE FACING THE WRONG DIRECTION.

3. BEGIN HANGING MESH PANEL A6P00974 AT THE CENTER OF THE 12FT GABLE SIDE (USING 9 HOOKS). CONTINUE AROUND THE POST TO THE FLAT 10FT SIDE (USING 8 HOOKS).

4. REPEAT STEP FOR THE REST OF THE MESH PANELS.

5. AFTER ALL THE PANELS ARE HUNG, ZIP THEM TOGETHER.



IT IS RECOMMENDED THAT EACH POCKET IS FILLED WITH WEIGHT

