



MODEL NO.

**B2219W**

**B2219F**

**Goaliath**

**BASKETBALL SYSTEM**

## **OWNER'S MANUAL**

1. **Read this manual carefully before starting assembly.** Read each step completely before beginning each step.
2. **Some smaller parts may be shipped inside larger parts. Check inside all parts and cartons before assembling or ordering parts.**
3. **To make assembly of your basketball system easier, use the Hardware Identifier on page 3 and 4 to identify and sort all fasteners. Check all cartons for kits. All hardware is not located in one kit.**
4. **Do not tighten hardware until instructed to do so.** If hardware is tightened too soon, mounting holes may not align and parts may not easily fit together. Leave locknuts slightly loose until you are instructed to tighten them.
5. **Save this instruction in the event that the manufacturer has to be contacted for replacement parts.**

### **Please Do Not Return This Product To The Store!**

Contact Escalade® Sports customer service department at:

Phone: 1-888-USA-GOAL Toll – Free!

Fax: 1-866-873-3536 Toll – Free!

E-mail: [basketball@escaladesports.com](mailto:basketball@escaladesports.com)

Mailing Address (correspondence only):

Escalade Sports

PO Box 889

Evansville, IN 47706

Please visit our World Wide Web site at: [www.escaladesports.com](http://www.escaladesports.com)

ON-LINE TROUBLE SHOOTING

TECHNICAL ASSISTANCE

ON-LINE PARTS REQUESTS

FREQUENTLY ASKED QUESTIONS

ADDITIONAL ESCALADE® SPORTS PRODUCT INFORMATION

**ESCALADE®**  
**S P O R T S**

2L-7162-00

Escalade® Sports products may be manufactured and/or licensed under the following patents:

6419596, 6179733, 5919102, 5071120, 4798381, 4424968, D326128, 7244046

Additional patents may be pending. One or more of the listed patents and/or pending patents may cover specific product.

©2008 Escalade® Sports



# SAFETY INSTRUCTIONS



**FAILURE TO FOLLOW THESE WARNINGS MAY RESULT IN SERIOUS INJURY AND/OR PROPERTY DAMAGE.**

**Owner must ensure that all players know and follow these rules for safe operation of the system.**



## WARNING

**FAILURE TO FOLLOW THESE WARNINGS MAY RESULT IN SERIOUS INJURY AND/OR PROPERTY DAMAGE.**

Owner must ensure that all players know and follow these rules for safe operation of the system.

- Do not dunk on this unit
- Do not hang from any part of the unit, including the backboard, rim, support braces, or net.
- Do not slide, climb, or play on pole.
- Keep organic material away from pole base. Grass, litter, etc. could cause corrosion and/or deterioration.
- Check pole system for signs of corrosion (rust, pitting, chipping). Remove rust and/or loose paint completely and repaint with exterior enamel paint. If rust has penetrated through the steel anywhere, replace pole immediately.
- Check system before each use for proper ballast, loose hardware, excessive wear, and signs of corrosion and repair before using.
- During play, use extreme caution to keep players face away from the backboard, rim, and net. Serious injury could occur if teeth/face come in contact with backboard, rim, or net.
- Wear a mouth guard when playing to avoid dental injuries.
- When adjusting height, keep hands and fingers away from moving parts.
- During play, do not wear jewelry (rings, watches, necklaces, etc.). Objects may entangle in net.
- Do not allow children to adjust system.
- Check system before each use for instability.
- Never play on damaged equipment.

4L-7609-00



## SAFETY INSTRUCTIONS



**FAILURE TO FOLLOW THESE SAFETY INSTRUCTIONS MAY RESULT IN SERIOUS INJURY, PROPERTY DAMAGE AND WILL VOID WARRANTY.**

Owner must ensure that all players know and follow these rules for safe operation of the system.

To ensure safety, do not attempt to assemble this system without following the instructions carefully. Proper and complete assembly, use and supervision is essential for proper operation and to reduce the risk of accident or injury. A high probability of serious injury exists if this system is not installed, maintained, and operated properly.

- If using a ladder during assembly, use extreme caution.
- 4 people are recommended for this operation.
- Seat the pole sections properly (if applicable). Failure to do so could allow the pole sections to separate during play.
- Before digging contact utility company to locate underground power cables, gas and water lines. Ensure there are no overhead power lines within 20 ft. (7m) radius of pole location.
- Climate, corrosion or misuse could result in system failure.
- If technical assistance is required, contact the manufacturer.
- Minimum operational height is 6'6" (1.98m) to the bottom of backboard.

*Most injuries are caused by misuse and/or not following instructions.  
Use caution when using this system.*

## WARNING!

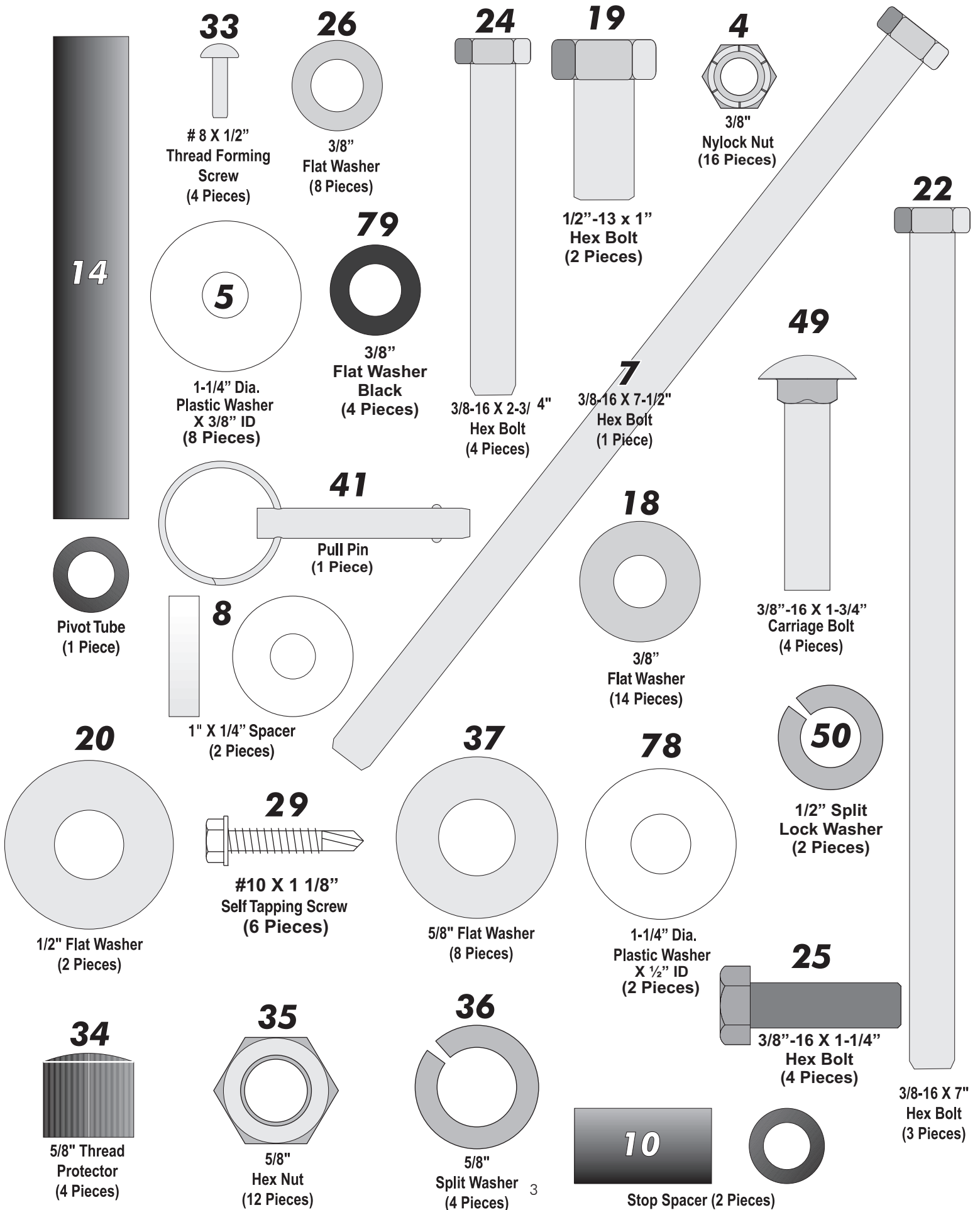
**Failure to observe this warning may cause property damage and/or serious injury.**

(Affixed to backboard)

This product is NOT designed to support a player hanging from any component of this basketball system. Rim height adjustments should be made under parental supervision. Wear a mouth guard when playing to avoid dental injuries. During play, do not wear jewelry (rings, watches, necklaces, etc). Objects may entangle in net.

# BASKETBALL SYSTEM'S HARDWARE IDENTIFIER

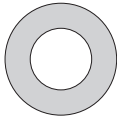
Note: Check all cartons for hardware. All hardware is not packed in one kit.



# HOOP LIGHT AND BALL RETURN NET HARDWARE IDENTIFIER

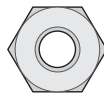
Note: Check all cartons for hardware. All hardware is not packed in one kit.

**59**



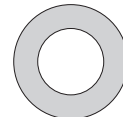
1/4"  
Flat Washer  
(12 Pieces)

**60**



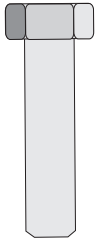
1/4"-20  
Nylon Locknut  
(6 Pieces)

**62**



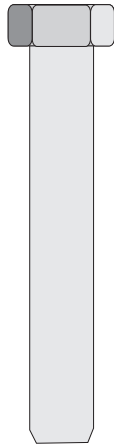
5/16"  
Flat Washer  
(12 Pieces)

**57**



1/4"-20 x 1"  
Hex Bolt  
(6 Pieces)

**58**



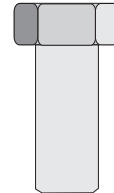
5/16-18 X 2"  
Hex Bolt  
(4 Pieces)

**61**



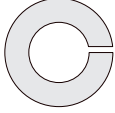
5/16-18 X 3"  
Hex Bolt  
(1 Piece)

**63**



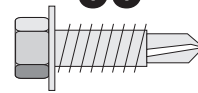
5/16-18 X 3/4"  
Hex Bolt  
(1 Piece)

**75**



5/16"  
Split Lockwasher  
(6 Pieces)

**66**



#10 X 3/4"  
Self Tapping Screw  
(6 Pieces)

**76**



5/16"-18  
Hex Nut  
(6 Pieces)

**56**



Plastic Tie  
(7 Pieces)

# INSTALLATION TIMELINE

1. Prior to anchor system and goal assembly, call utility services for location of underground utility lines before you dig.
2. Vertical main post assembly is a two part process.

## PART 1

**Day 1.** Complete Anchor System Installation Instructions. (Below)

**Day 2-4.** Allow concrete to cure.

## PART 2

**Day 5.** Complete Goliath® assembly instructions. (Requires four adults)

## ANCHOR SYSTEM INSTALLATION INSTRUCTIONS (Day 1)



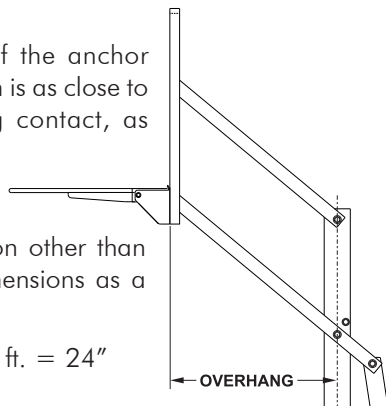
**Before digging hole for anchor system, check for buried power, gas, water, and telecommunication lines! Failure to do so could result in serious or fatal injury! Contact your local utility company if unsure.**

### Items needed (not included)

- |   |                  |
|---|------------------|
| 9 - 80 lb. bags of concrete               | 1 - wheel barrow |
| 1 - post hole digger (optional)           | 1 - garden hose  |
| 1 - 15/16" wrench                         | 1 - level        |
| 1 - concrete form (see note after step 2) | 1 - tape measure |

**Note: For best results with less vibration, anchor system should be independent of court. If pouring concrete for both at same time, add an expansion joint in between.**

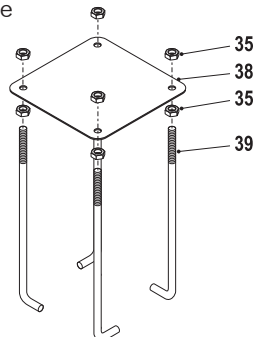
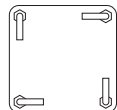
1. Determine the location of the anchor system. The proper location is as close to the court without making contact, as shown in Figure 1. This, however, is a general rule. If you need to locate the anchor system in a location other than this, use the following dimensions as a guide.



Overhang when adjusted to 10 ft. = 24"

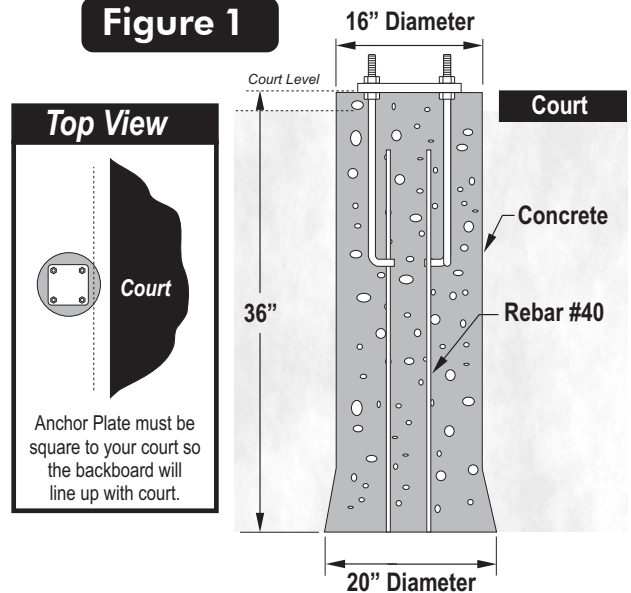
2. Assemble anchor system as follows: Thread nut (#35) to bottom of threads on anchor bolt (#39) insert threads of anchor bolt (#39) through hole on anchor plate (#38) and secure with nut (#35). Repeat this step for the remaining anchor bolts. See Figure 2. Note: Each leg of anchor bolts should face the anchor bolt to the right. See Detail A.

**Detail A  
Bottom View**



**Figure 2**

**Figure 1**



**Note: It is recommended that you use some sort of concrete form for the top 4" of the concrete. Cardboard forms can be purchased at some hardware and home stores or a wooden form can be constructed out of 2 x 4's.**

3. Mix and pour concrete into hole. Follow instructions on concrete bag. Stop about 18" below court level.
4. Insert four reinforcement bars (#40) into concrete 8" apart creating a square in center on hole.
5. Finish pouring concrete up to court level.
6. Push anchor system into concrete and agitate to work out voids in concrete. Immediately use a level to level and square anchor plate to playing surface. Clean off any concrete that may be on exposed threads.

**Note: The bottom four nuts will be forever embedded in concrete.**

Let concrete stand for a MINIMUM of 72 hours.

# GOALIATH ASSEMBLY INSTRUCTIONS (Day 5)

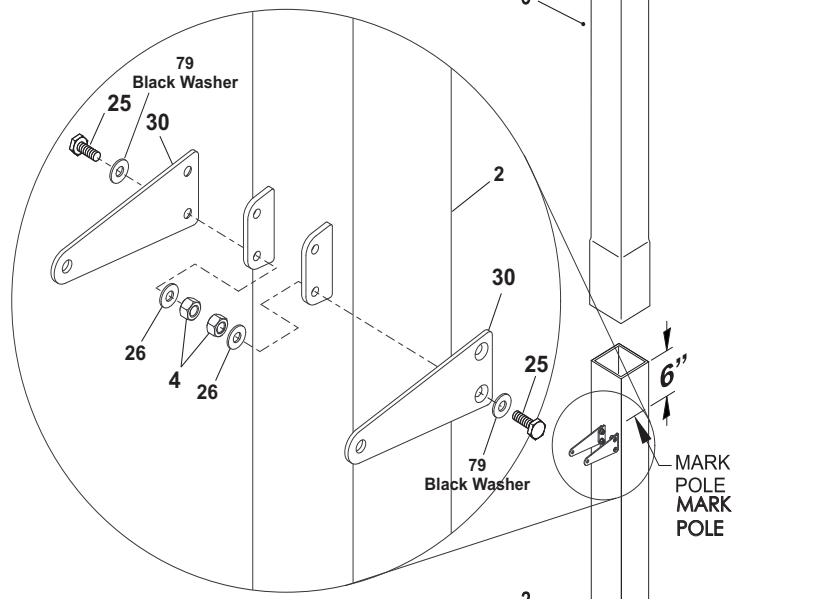
**IMPORTANT!** Nylon washers (#5) adequately space painted parts at all pivot points. Neglecting the use of these washers will result in rusted parts.

**NOTE:** All board arms are made of rectangular tubing. Tightening hardware too tight may damage tubing and make adjustment of system difficult.

**NOTE:** If Pole Cap (#1) is pre-assembled on top pole, remove it before assembling poles as described in steps 1 and 2.

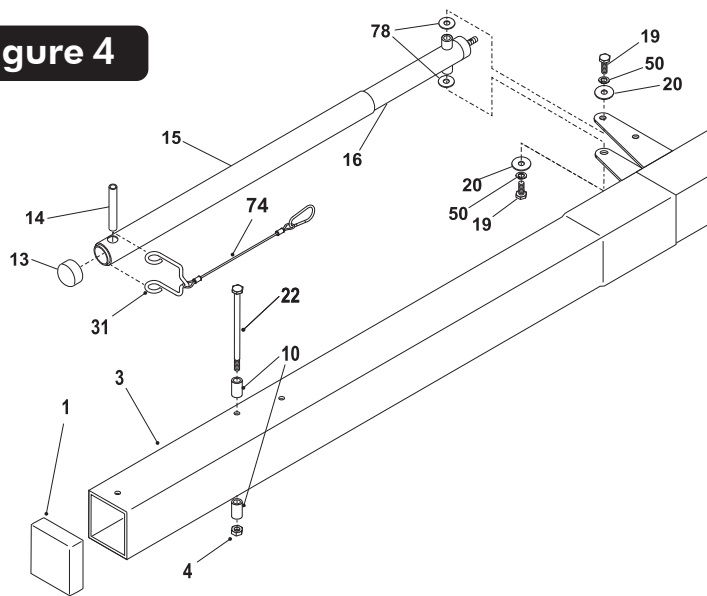
1. Before putting any of the pole tubes together, mark bottom pole (#2) 6 inches from the top end. See Figure 3.
2. Align the upper pole (#3) with the bottom pole (#2) as shown in Figure 3 and slide them together. Stand tubes up on a block of wood and hit tubes on piece of wood until the bottom of the upper pole reaches the 6" mark on the bottom pole. Hit tubes a minimum of seven times. This is a friction-locking joint and requires no hardware.
3. Attach Post Brackets (#30) to outside of brackets on back of Post Assembly. Secure with two Hex Head Bolts (#25), two black Flat Washers (#79), two Flat Washers (#26) and two Locknuts (#4) in each Bracket. See Figure 3.

**CAUTION**  
NOTE THE DIRECTION OF THE UPPER BRACKETS.



**Figure 3**

**Figure 4**

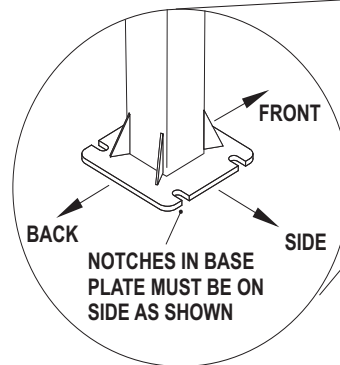


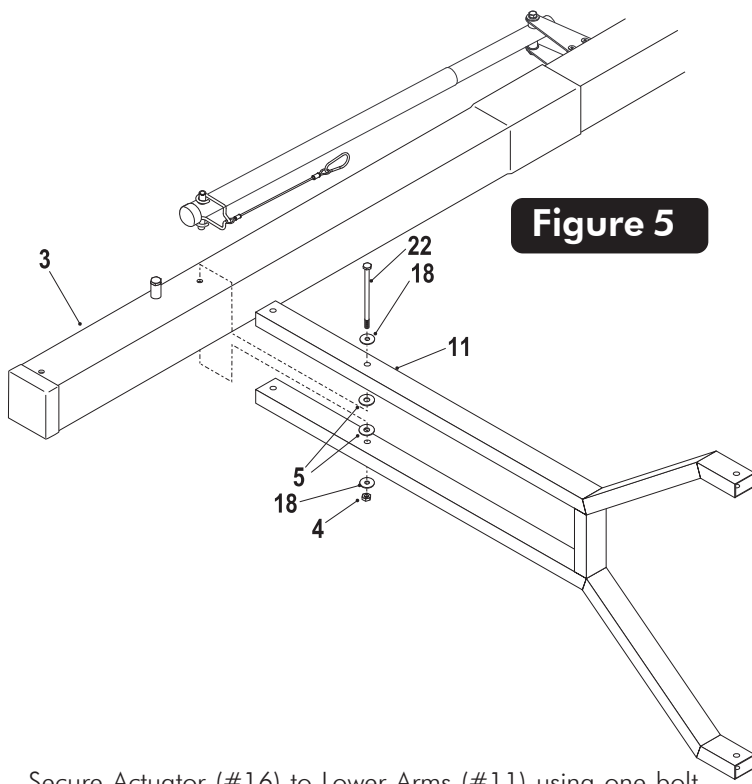
4. Slide Actuator Sleeve (#15) over Actuator (#16) and place Actuator Cap (#13) on top. Position Cable Stirrup (#31) as shown in Figure 4 and slide Pivot Tube (#14) through Cable Stirrup (#31) and hole near top of Actuator until equal amounts stick out through both sides of Actuator. See Figure 4.

**Note:** If necessary, use a hammer or rubber mallet to tap in Pivot Tube (#14).

5. Lay Pole Assembly on its side on two padded saw horses. Secure Actuator (#16) to Pole using one bolt (#19), one Split Lockwasher (#50), one washer (#20) and one Plastic Washer (#78) to threads into each side of Actuator. See Figure 4. Tighten bolts tight.

6. Place Pole Cap (#1) onto top of Top Pole (#3).
7. Secure two stop spacers (#10) to pole, as shown in Figure 4, using one hex bolt (#22) and one lock nut (#4).





**Figure 5**

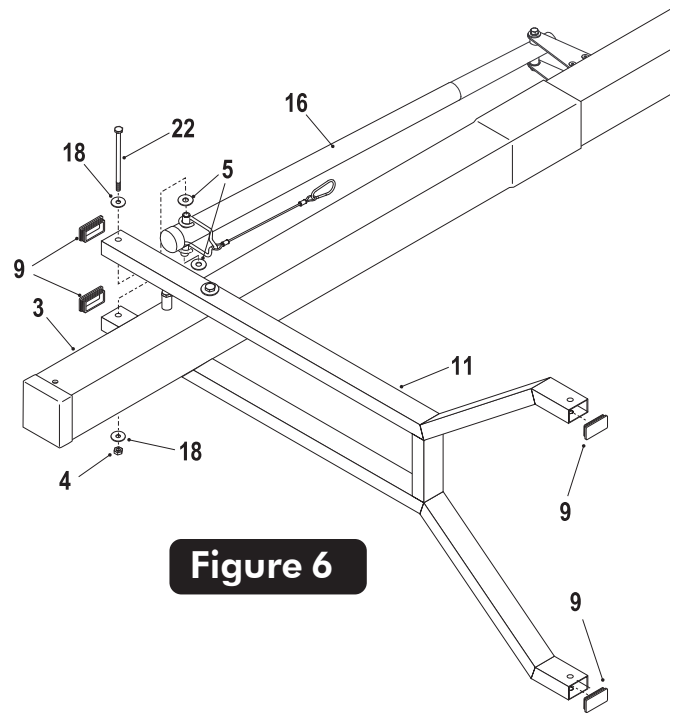
- Attach lower arms (#11) to Top Pole (#3), as shown in Figure 5, using a hex bolt (#22), two flatwashers (#18), two plastic washers (#5) and lock nut (#4).

**Note: make sure lettering is right side up. Do NOT tighten bolt (#22) at this time.**

- Secure Actuator (#16) to Lower Arms (#11) using one bolt (#22), two flatwashers (#18), two plastic washers (#5) and one lock nut (#4). See Figure 6. Tighten both bolts (#22) securing Lower Arm (#11). See Figure 6.

**Note: Tighten bolts snug but, do not over tighten. Board Arms must pivot freely.**

- Insert four Tube Plugs (#9) into open ends of Lower Arms (#11). It may be necessary to use a hammer or rubber mallet to tap them in (plugs may be factory installed).

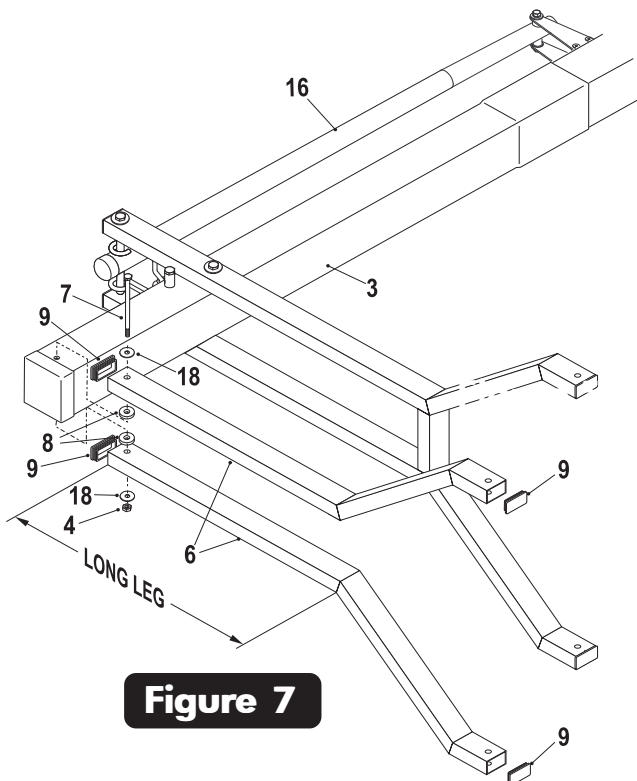


**Figure 6**

- Attach long leg of Upper Arms (#6) to Top Pole (#3), as shown in Figure 7, using a bolt (#7), two flatwashers (#18), two spacers (#8) and one lock nut (#4).

**Note: Tighten bolts snug but, do not over tighten. Board Arms must pivot freely.**

- Insert four Tube Plugs (#9) into open ends of Upper Arms (#6). It may be necessary to use a hammer or rubber mallet to tap plug in (plugs may be factory installed).

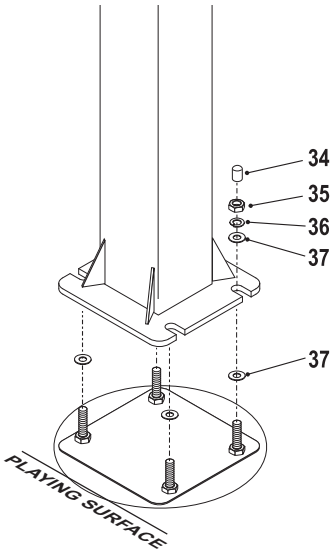


**Figure 7**

**! CAUTION !**

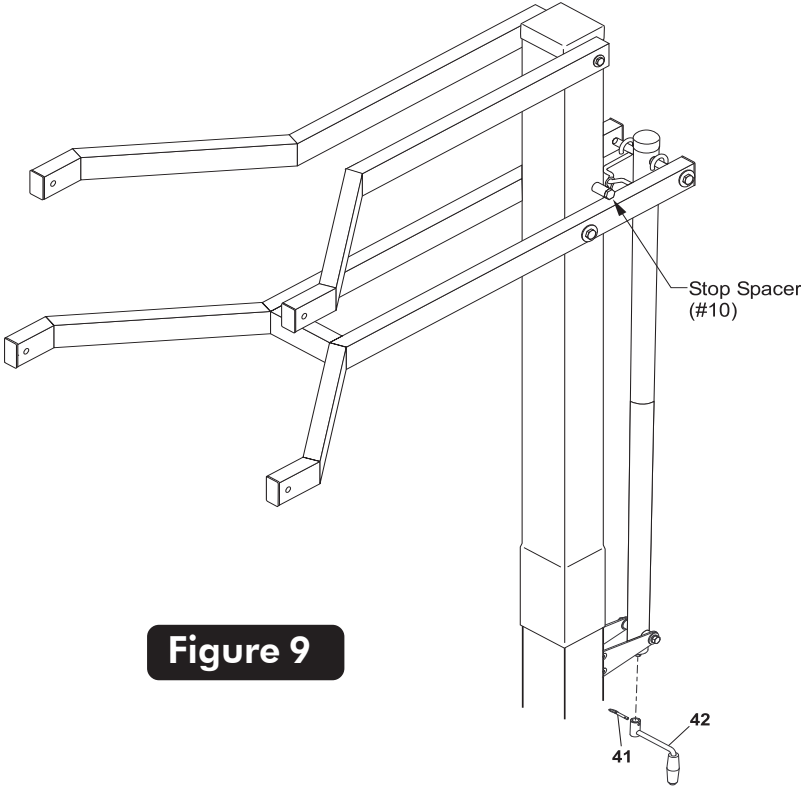
**PLACING THE POST ON THE ANCHOR SYSTEM REQUIRES AT LEAST FOUR CAPABLE ADULTS. POLE WILL WANT TO LEAN WHILE ATTEMPTING TO STAND IT UP ON ANCHOR BOLTS.**

13. Locate hardware needed to mount pole to anchor bolts. You will need, eight flatwashers (#37), four lock washers (#36), four hex nuts (#35) and four thread protectors (#34).
14. Put a flat washer (#37) on each anchor bolt. Lift post onto anchor system and secure with one flatwasher (#37), one lock washer (#36) and one hex nut (#35) for each anchor bolt. See Figure 8. Tighten all four hex nuts tight. Place a thread protector (#34) on each anchor bolt.



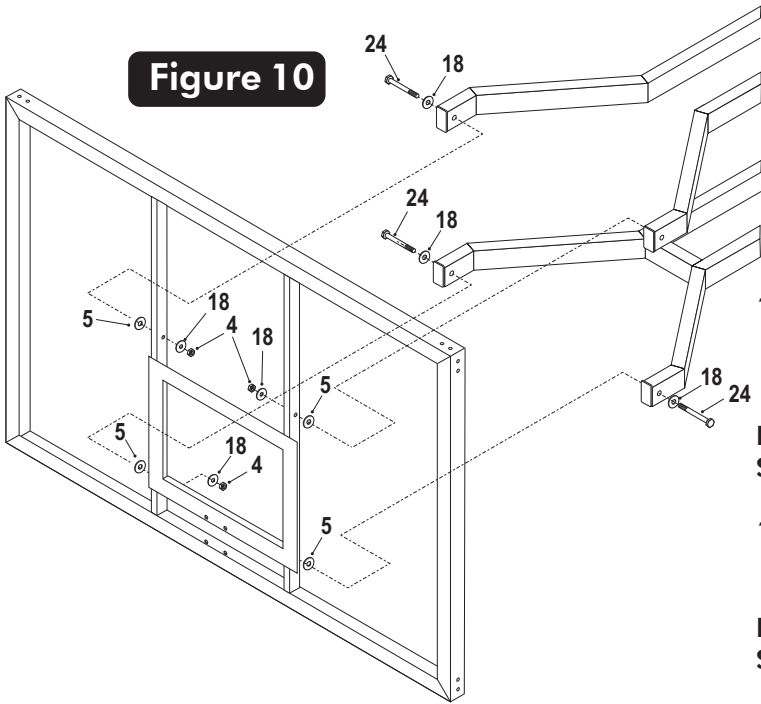
**Figure 8**

**BE SURE CONCRETE HAS BEEN ALLOWED TO CURE FOR AT LEAST 3 DAYS**



**Figure 9**

15. Slide Actuator Crank (#42) onto shaft on the bottom of Actuator (#16). Line up hole in shaft with hole in Actuator Crank and insert Pin (#41) to secure. See Figure 9.
16. To aid in the assembly of the backboard, lower the backboard, by turning the Actuator Crank, until the lower arm makes contact with Stop Spacer (#10).



**Figure 10**

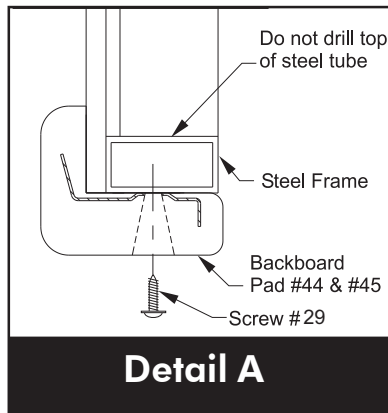
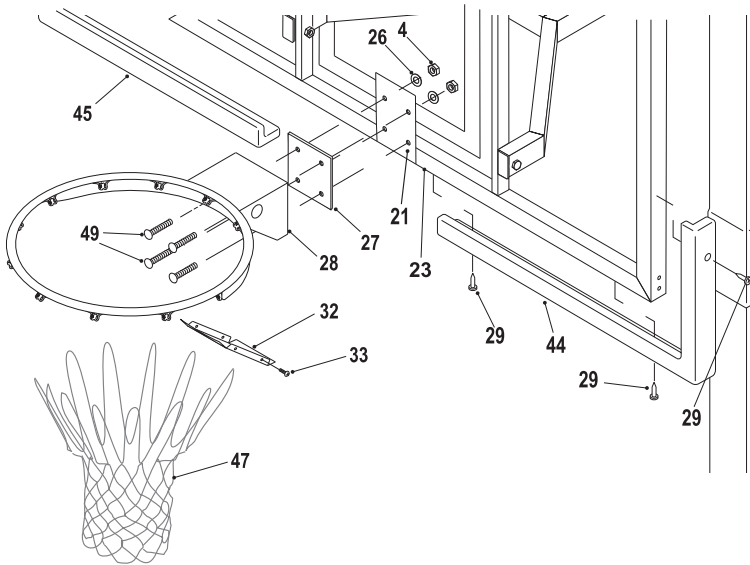
**! CAUTION !**

**ATTACHING BACKBOARD TO BOARD ARMS REQUIRES AT LEAST FOUR CAPABLE ADULTS.**

17. With at least three capable people, raise the backboard assembly up and have the fourth attach Lower Board Arms to lower mounting tubes on backboard using two bolts (#24), two plastic washers (#5), four washers (#18) and two lock nuts (#4). See Figure 10.  
**NOTE: Do NOT over tighten these bolts. This is a pivot point. Snug is tight enough.**
18. Attach Upper Board Arms to upper mounting tubes on backboard using two bolts (#24), two plastic washers (#5), four washers (#18) and two lock nuts (#4). See Figure 10.  
**NOTE: Do NOT over tighten these bolts. This is a pivot point. Snug is tight enough.**



**Figure 11**



**Detail A**

19. Mount Goal Assembly (#28) and Rim Pad (#27) to Backboard, as shown in Figure 11, using four bolts (#49), four washers (#26), and four locknuts (#4). Tighten fasteners finger tight, leave them loose enough to level rim.
20. Place a level across rim assembly and adjust rim until it is level. Finish tightening the four nuts.
21. Attach Rim Cover Plate (#32) using four screws (#33). See Figure 11.



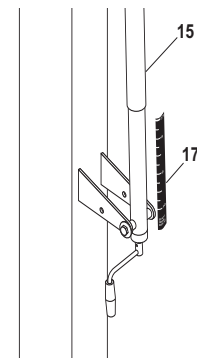
**NEVER USE RIM WITH COVERPLATE REMOVED!**

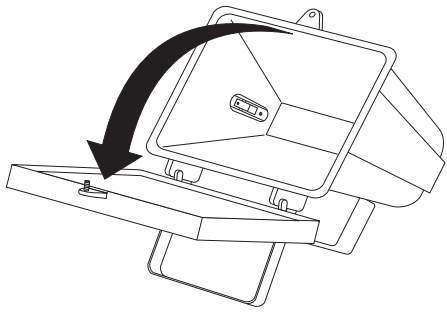
22. Check all nuts and bolts and make sure everything is tightened properly. Do NOT over tighten pivot points, snug is tight enough.
23. Use the Backboard Pads (#44) and (#45) as a template and mark the hole locations on the backboard frame. See Figure 11 and Detail A.
24. Drill 9/64" pilot holes into steel backboard frame. Do not drill through both sides of tube.
25. Secure Backboard Pads (#44) and (#45), as shown, using screws (#29). Note: Tighten screws tight but, do not over tighten.

26. Adjust unit to 7-1/2 feet. Use a tape measure to measure from the top of the rim to the playing surface. Stick Height Decal (#17) to back of Actuator (#16) with the "7.5" mark aligned with bottom of Actuator Sleeve (#15). See Figure 12.

Do not crank Actuator so that Goal height is over 10 feet. You could damage your system.

**Figure 12**



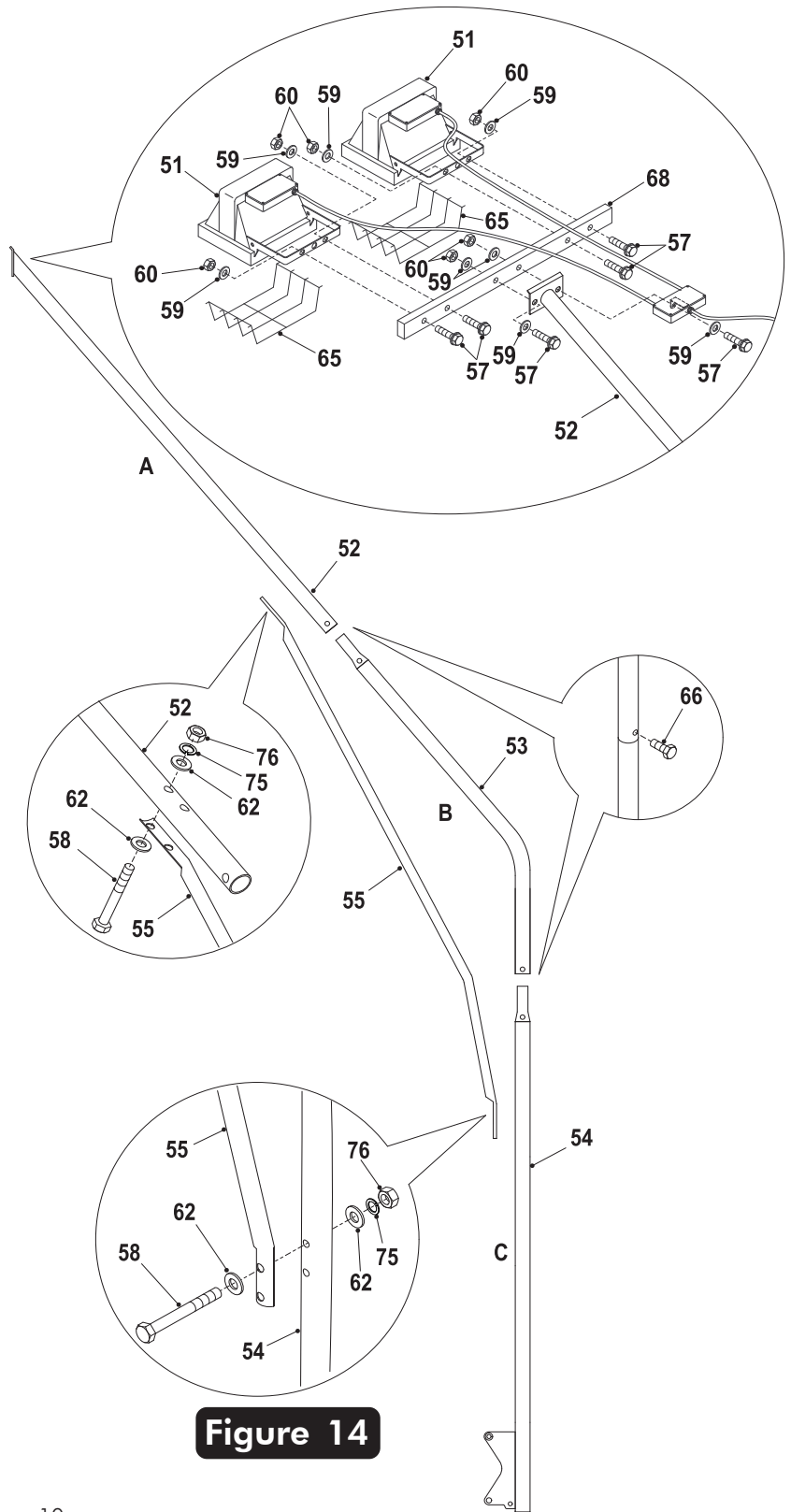


**Figure 13**

28. Identify Pole Sections "A" through "C" by their labels.
29. Attach Halogen Lamps (#51) to Lamp Mount Bar (#68) using bolts (#57), washers (#59) and locknuts (#60). See Figure 14. Attach Lamp Mount Bar to Pole Section "A" (#52) using bolts (#57), washers (#59), and locknuts (#60). See Figure 14.
30. Mount the Wire Safety Cage (#65) to the frame on the front of the Halogen Lamp (#51). Squeeze the cage slightly so the wire ends fit into the inside four corners of the frame.
31. Slide the swaged (crimped) end of Pole Section "B" (#53) into the end of Pole Section "A" (#52). Align the holes and insert a self tapping screw (#66) to secure. (You will need to use a wrench or a pair of pliers to firmly start the self tapping screw.)
32. Attach pole "C" (#54) into the end of pole "B" (#53) and secure with a self tapping screw (#66).
33. Align holes in Pole Support (#55) with matching holes in Pole Section "C" (#54) as shown in Figure 14. Secure Pole Support (#55) to Pole Section "C" (#54) using two bolts (#58), four washers (#62), two lockwashers (#75), and two nuts (#76).

**Note: Pole Support will only fit one way, see Figure 14 for proper orientation.**

34. Secure the opposite end of Pole Support (#55) to Pole Section "A" (#52) using two bolts (#58), four washers (#62), two lockwashers (#75), and two nuts (#76).

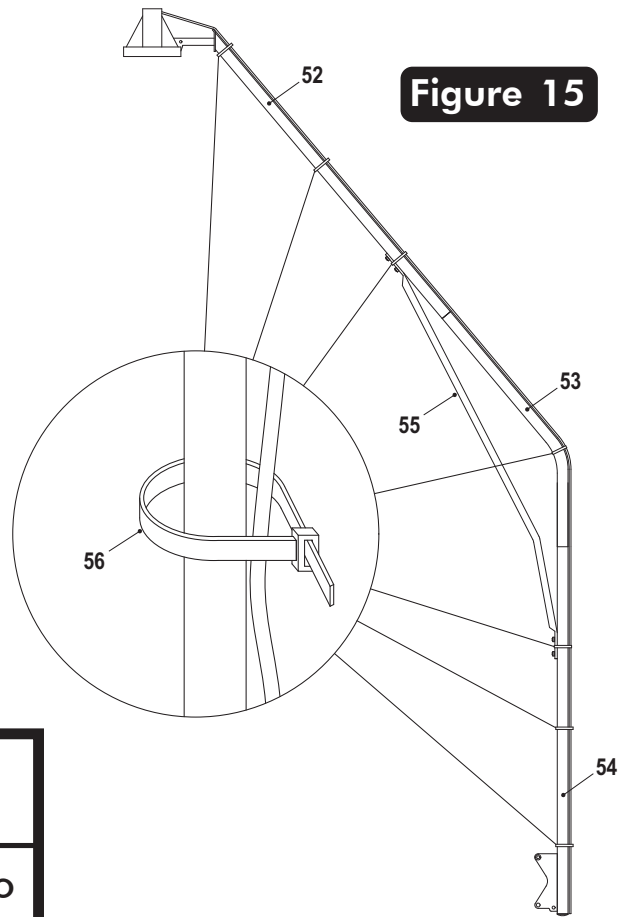


**Figure 14**

27. Remove the screw at top of light that holds frame together. The door frame assembly will swing down to open. Using gloves or soft cloth insert one end of bulb into socket. Gently apply pressure to the bulb to one side and insert opposite end of bulb into other socket. Close door and secure. Repeat for other light unit.  
**Note: Do not touch halogen bulb with your hand as oil in your skin will cause damage to the bulb. You can reverse this procedure to remove the bulb.**

**Note:** It is very important to evenly space out the seven plastic ties to keep the electrical cord secure. We suggest the following locations for the plastic ties.

- 35. Secure the electrical cord to the pole in the locations shown in Figure 15. Cut off excess plastic tie.



**Figure 15**

**⚠ CAUTION ⚠**

ATTACHING HOOP LIGHT TO POLE REQUIRES AT LEAST TWO CAPABLE ADULTS.

**⚡ WARNING ⚡**

When attaching the Hoop Light to the pole, stay clear of all overhead power, electrical, telephone wires, and obstacles. Any contact between the Hoop Light and any of these lines will result in immediate danger.

**⚡ WARNING ⚡**

**WARNING:** When mounting the Hoop Light to the basketball pole, be sure that no bolts either traps or squeezes the electrical cord. Make sure the electrical cord is free. Do not plug the Hoop Light into any electrical outlet or extension cord until the entire assembly procedure is complete.



## CAUTION

WHEN ATTACHING HOOP LIGHT TO POST, SUPPORT LIGHT ASSEMBLY UNTIL BOTH BOLTS ARE INSTALLED AS DESCRIBED IN FOLLOWING STEP.

36. Lower backboard to its lowest position. With at least two capable adults, lift Hoop Light assembly and align pivot tube on Hoop Light pole (#54) between top tabs on Top post (#3) as shown in Figure 16. Attach hoop light to post with bolt (#61), two washers (#62), one lockwasher (#75), and one nut (#76). See Figure 16. Attach bottom of bracket to post with bolt (#63), two washers (#62), one lockwasher (#75), and one nut (#76). See Figure 16.
37. Attach Snap Hook (#64) to Cable (#74). See Figure 16. Then, attach snap hook (#64) to hole in bracket on hoop light pole section "C" (#54). See Figure 16.

## HOW TO LOWER UNIT TO CHANGE BULB

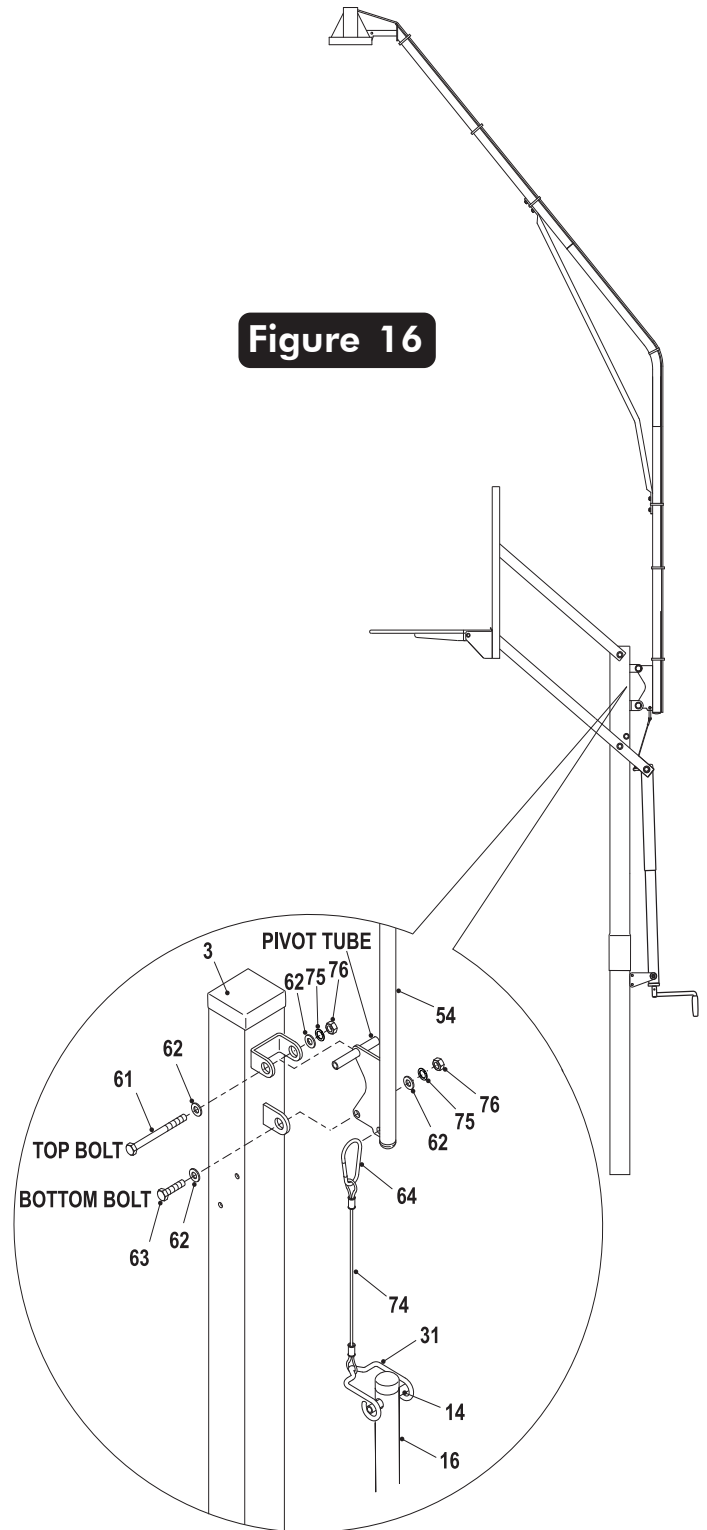
1. Crank Actuator to raise goal up as high as it will go. Cable (#67) on hoop light will be taut.
2. Remove bottom bolt (#63) that holds hoop light to post. See Figure 16.
3. Lower goal as low as it will go by turning actuator handle. Lowering goal will also lower hoop light lamp.
4. Change bulb.
5. Raise goal by turning actuator handle. Raise height until hole in hoop light bracket aligns with hole in tab on goal post. See Figure 16.
6. Reinstall bolt (#63), washers (#62), lockwashers (#75), and nut (#76) you removed in step 2.



## CAUTION

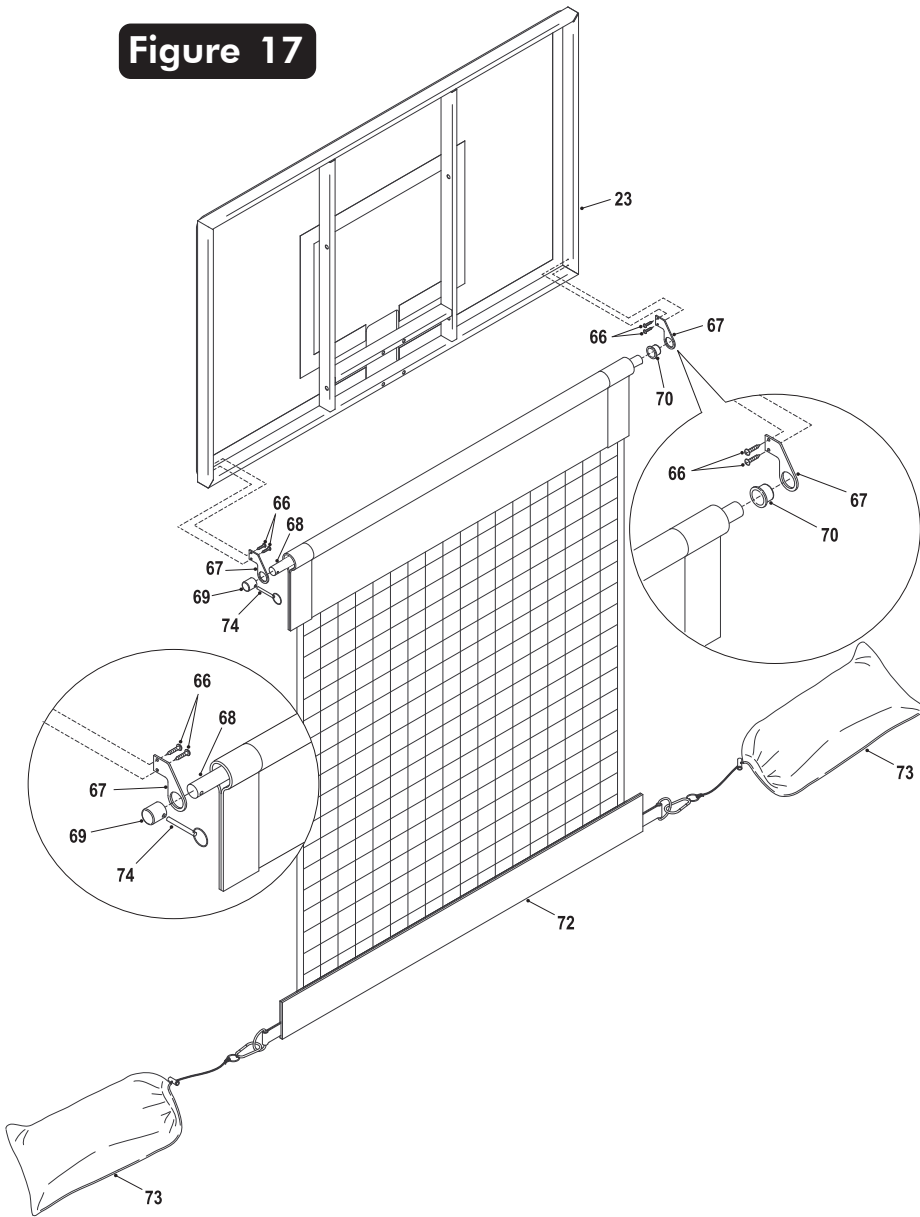
DO NOT PLAY ON YOUR GOAL WITH BOLT REMOVED.  
BOTTOM BOLT MUST BE INSTALLED.

Figure 16



# BALL RETURN NET INSTALLATION INSTRUCTIONS

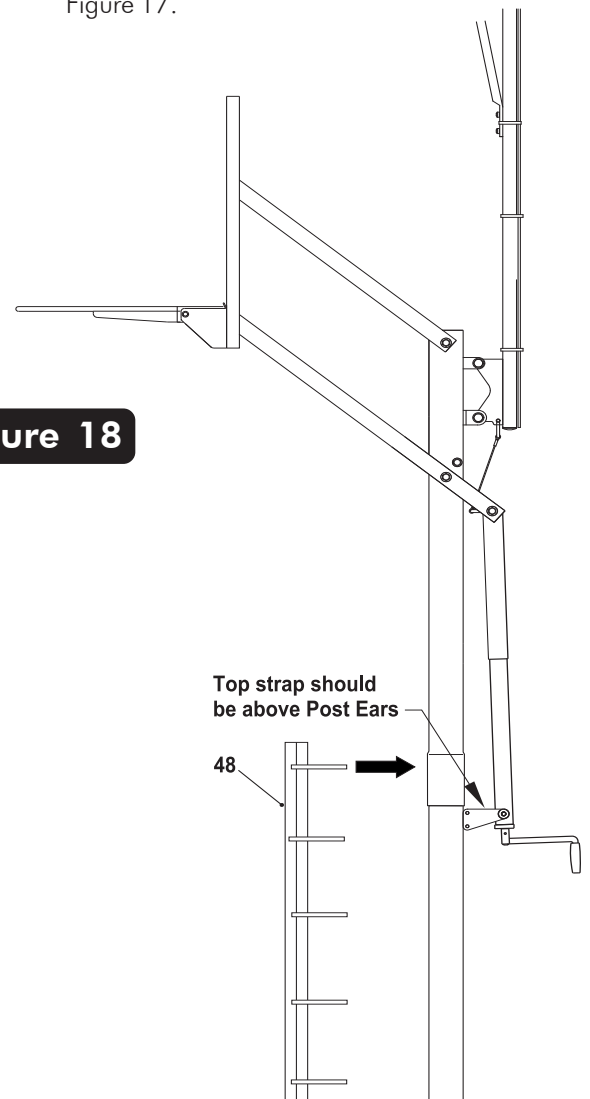
**Figure 17**



1. Attach two Tube Brackets (#67) to backboard (#23) with two screws (#66) through each bracket. See Figure 17. Align holes in bracket (#67) with pre-drilled pilot holes in backboard and attach with screws (#66). Tighten screws securely.
2. Slide Net (#72) onto Upper Net pole (#68). See Figure 17.
3. Place End Cap with Flange (#70) onto end of Upper Net Pole (#68) that does not have a hole in it. See Figure 17.
4. Place End Cap that has a hole in it (#69) onto end of Upper Net Pole (#68) with hole. See Figure 17. Rotate cap so that hole in cap lines up with hole in pole.
5. Slide end of pole with cap that does not have flange through Tube Bracket (#67) until you can lift pole and insert other end of pole through other tube bracket.
6. Insert Pull Pin (#74) through hole in end of pole (#68). See Figure 17.
7. Fill water bags (#73) with water.
8. Hook a water bag (#73) to each side of net (#72). See Figure 17.

38. Secure Post Pad (#48) to front of pole by wrapping straps around pole and sticking to velcro on opposite side of Pad. Top Post Pad strap should be above Post Ears. See Figure 18.

**Figure 18**



# **CAUTION**

**Risk of burn from the light. Do not assemble without the guard.**

**Lamp should remain at least 20 inches from any sort of flammable material.**

**This is not an indoor lamp.**

**Do not look directly into lamp**

**Keep children away from this lamp.**

**Lamp should be unplugged and completely cool before you attempt to replace the bulb. Avoid direct contact of fingers with the bulb. Oil from skin can damage the bulb.**

**Do not operate lamp with broken pieces or missing safety guard.**

**Never operate lamp around highly eruptive liquids such as gasoline or paint thinner.**

**This lamp should never be in or near a wet surface. Never use near a swimming pool, hot tub or sauna, or near a standing body of water.**

**Always insert the plug into the outlet carefully**

## **CARE INFORMATION**

### **- BACKBOARD -**

#### **Items needed to clean backboard:**

- 100% cotton soft cloth, (only)
- Glass Cleaner

Clean backboard using only a **100% Cotton** soft cloth and glass cleaner. Clean as you would household windows. Strong cleansers will damage backboard and void warranty.

### **- RIM -**

**HANGING ON THE RIM WILL VOID YOUR WARRANTY.** Rims are not warranted for any defects other than workmanship. Torn back plates, damaged springs, bent rings, damaged eye bolts, and torn or distorted rim supports result from hanging on the rim and are not warranted.

The goal should not be cranked under 7-1/2' or over 10'. Adjustments of the goal should be done under adult supervision.

When attempting slam dunk activity you should always wear a mouth guard to avoid dental injury.

### **- HOOP LIGHT -**

Reverse the mounting procedure carefully in order to reach the lamp for cleaning the safety glass, changing the bulb, or in the rare occasion that you might need to redirect the beam of the light fixture.

## LIMITED 5 YEAR WARRANTY

This consumer warranty extends to the original consumer purchase of any Escalade® Sports Product (hereinafter referred to as the "Product").

**WARRANTY COVERAGE:** Escalade® Sports warrants to the original Consumer Purchaser that any Product of its manufacture is free from defects in material and workmanship. THIS WARRANTY IS VOID IF THE PRODUCT HAS BEEN DAMAGED BY ACCIDENT, UNREASONABLE USE, NEGLIGENCE, IMPROPER SERVICE, FAILURE TO FOLLOW INSTRUCTIONS PROVIDED WITH THE PRODUCT OR OTHER CAUSES NOT ARISING OUT OF DEFECTS IN MATERIAL OR WORKMANSHIP.

Subject to proper installation and normal use, Escalade® Sports warrants, subject to the limitations below, to the original retail purchaser all structural components of the Goaliath® System to be free of defects in material and workmanship for a period of five (5) years from the original purchase.

Merchandise must be shipped prepaid with a copy of proof of purchase to Escalade® Sports factory for examination to determine if the basketball system needs to be repaired or replaced. Any labor costs, travel expenses and any other changes involved in the removal, installation or replacement of the defective/repaired parts from/to your Goaliath® System will be the purchaser's responsibility. Shipping charges for replaced or warranted merchandise sent back to the customer from Escalade® Sports factory must be prepaid by the customer in advance. If not, the replacement shipment will be sent out collect.

Escalade® Sports reserves the right to examine photographs or physical evidence of merchandise claimed to be defective, and to recover said merchandise, prior to authorization of warranty claims. A "Returned Goods Authorization" number may be required, please call for details prior to the return of any photographs or merchandise.

This limited 5 year warranty is expressly in lieu of all warranties, expressed or implied, including warranties of merchantability or fitness for use. Escalade® Sports does not assume or authorize any person or representative to assume for us, any other liability in connection with the sale of our products.

The remedy of repair or replacement stated above is Escalade® Sports exclusive remedy. Escalade® Sports will not be liable for any other damages or expenses which may incur, including but not limited to incidental or consequential damages. Escalade® Sports assumes no other obligations or liability on the part of the purchaser, and Escalade® Sports neither assumes nor authorizes any other person to assume for it any other liability in connection with the goods sold.

This warranty shall not apply in any manner to parts or accessories not manufactured by Escalade® Sports.

### NOT COVERED BY THIS WARRANTY

- Any merchandise subjected to abuse, negligence, improper installation, vandalism, acts of God, alteration of product, or any other events beyond the control of Escalade® Sports.
- Paint or rusted parts. Paint kits will be available to assist in normal maintenance.
- HANGING ON RIM WILL VOID THE WARRANTY: Rims are not warranted for any defects other than workmanship. Torn back plates, damaged springs, bent rings, damaged eyebolts, and torn or distorted rim supports result from hanging on the rim and are not warranted.
- Shipping charges both ways. Note: Any merchandise shipped to Escalade® Sports collect will be refused.
- Dealer service charges, labor charges and travel expenses associated with replacement of repair of warranty item.

**WARRANTY DISCLAIMERS:** ANY IMPLIED WARRANTIES ARISING OUT OF THIS SALE, INCLUDING BUT NOT LIMITED TO THE IMPLIED WARRANTIES OF MERCHANTABILITY AND FITNESS FOR A PARTICULAR PURPOSE, ARE LIMITED IN DURATION. ESCALADE® SPORTS SHALL NOT BE LIABLE FOR LOSS OF USE OF THE PRODUCT OR OTHER CONSEQUENTIAL OR INCIDENTAL COSTS. EXPENSES OR DAMAGES INCURRED BY THE CONSUMER OF ANY OTHER USE.

Some states do not allow the exclusion or limitation of implied warranties or consequential or incidental damages, so the above limitations or exclusions may not apply to you.

LEGAL REMEDIES: This warranty gives you specific legal rights, and you may also have other rights which may vary from state to state.

### WARRANTY GUIDELINES IS REQUIRED FOR ALL WARRANTY CLAIMS

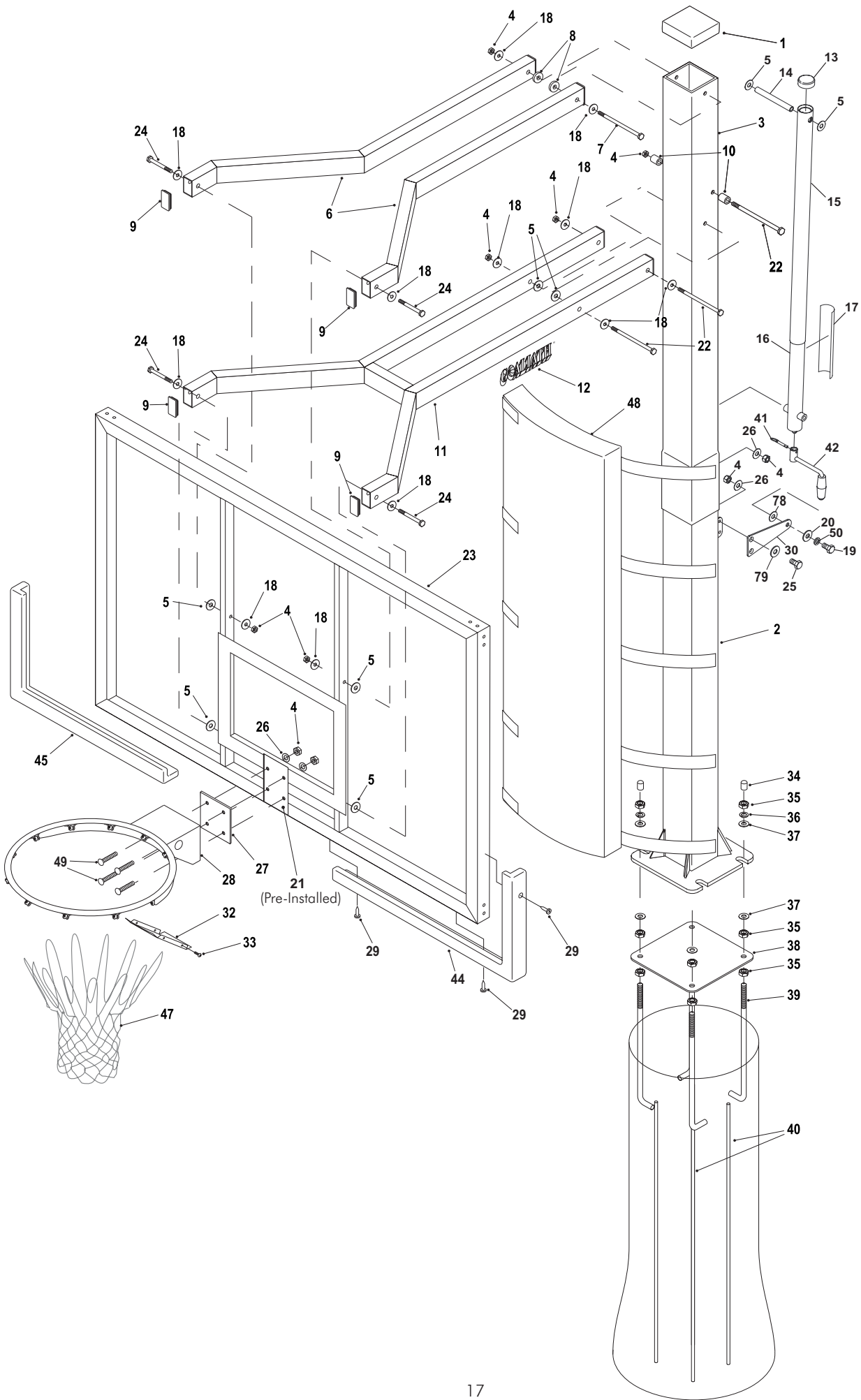
1. Proof of Purchase (original retail purchaser) is required for all warranty claims.
2. Call or write Escalade® Sports to receive a Return Authorization # and determine specific needs.  
Phone: 1-888-USA-GOAL / Warranty Dept.  
Or Write Escalade® Sports at: Escalade® Sports - P.O. Box 889, Evansville, IN 47706 - Attn: Warranty Dept.  
Or E-mail us at: [basketball@escaladesports.com](mailto:basketball@escaladesports.com)

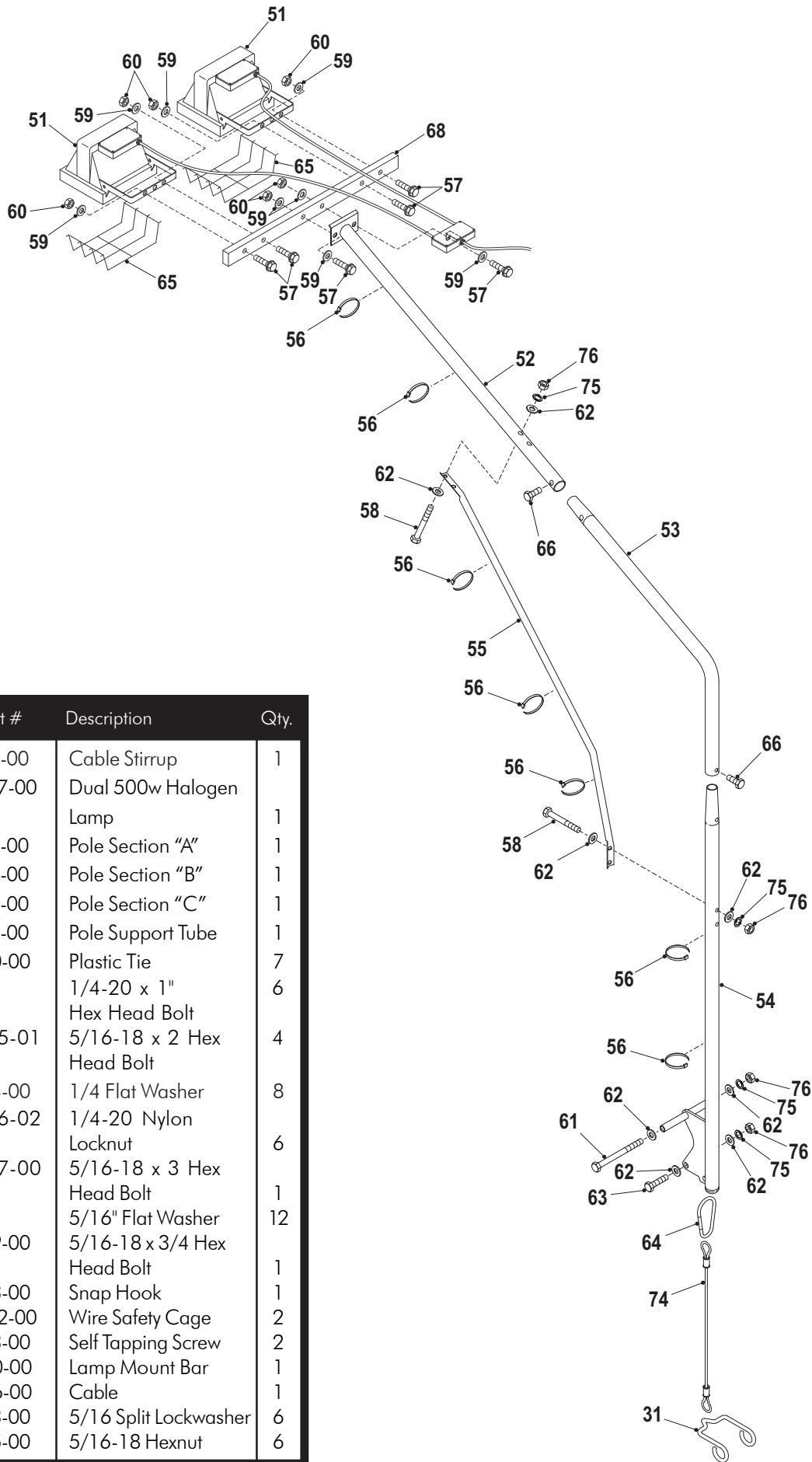
## B2219 REPLACEMENT PARTS LIST

Key#	Part #	Description	Qty.
1	3M-6850-00	4" Square Tube Plug	1
2	1A-7005-01	Bottom Post	1
3	1A-7000-01	Top Post	1
4	901-28	3/8-16 Nylon Locknut	16
5	3M-6883-00	1-1/4" OD Plastic Washer 3/8" ID	8
6	8S-6630-00	Upper Board Arm	2
7	1B-6483-10	3/8-16 X 7.5" Hex Bolt-Grade 5	1
8	3M-6269-00	1/4" Spacer	2
9	3M-6548-00	1 X 2 Tube Plug	8
10	8S-6657-00	Stop Spacer	2
11	1A-6331-00	Lower Board Arm	1
12	4L-7561-00	Goaliath Decal	2
13	3M-6467-00	Actuator Cap	1
14	8S-6658-00	Pivot Tube	1
15	2M-6160-00	Actuator Sleeve	1
16	4A-7081-00	Actuator	1
17	4L-7501-00	Height Decal	1
18	701-50	3/8 STD Washer	14
19	1B-6215-01	1/2-13 X 1" Hex Bolt	2
20	2B-6093-00	1/2 Flat Washer	2
21	3M-6835-00	Goal Spacer Plate (Pre-Installed)	1
22	1B-6484-10	3/8-16 X 7" Hex Bolt-Grade 5	3
23	6A-7404-00	Backboard Assembly - 33" X 60"	1
24	1B-6195-00	3/8-16 X 2.75" Hex Bolt	4

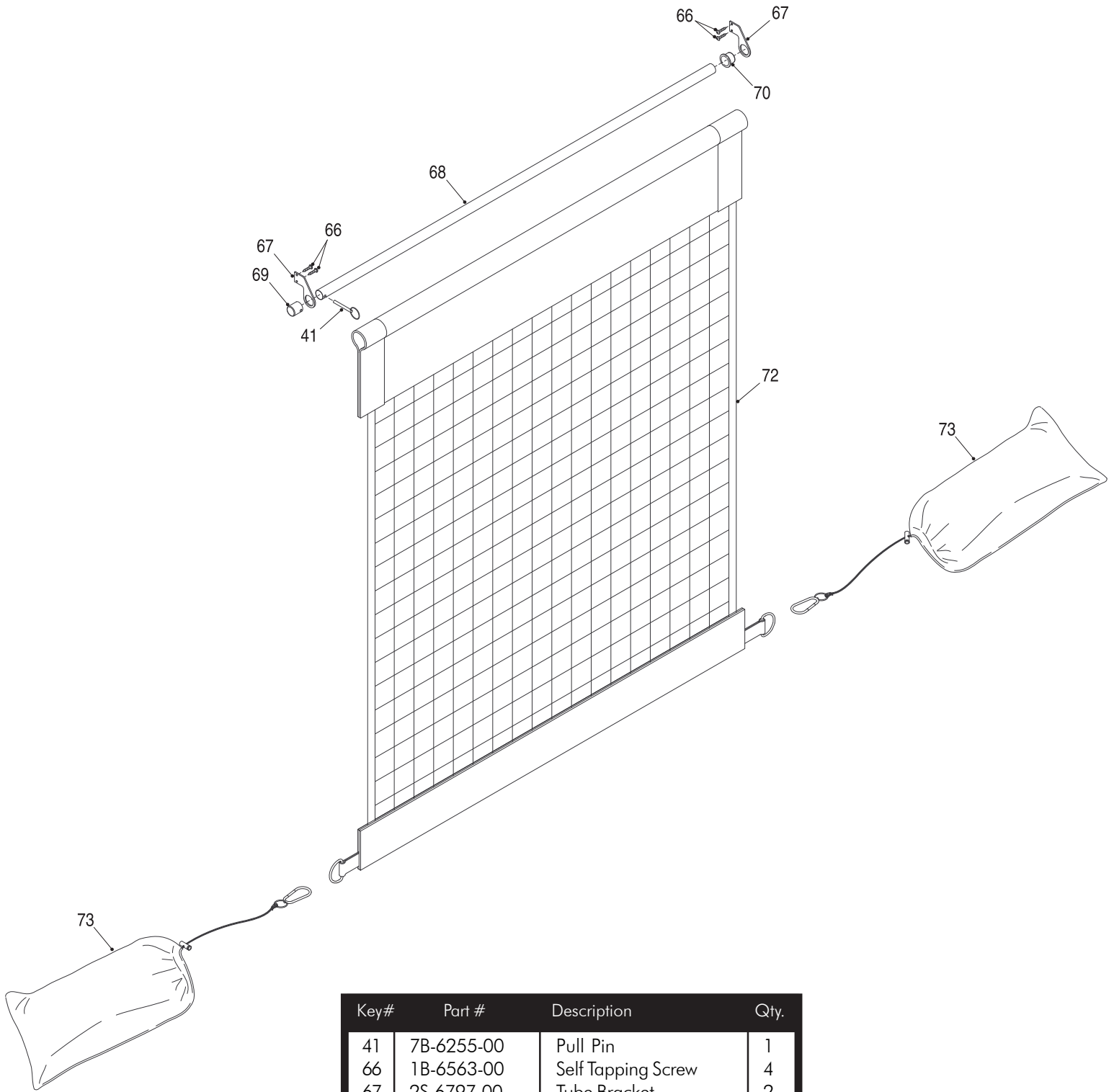
Key#	Part #	Description	Qty.
25	1B-6936-00	3/8-16X1 1/4" Hex Head Bolt-Grade 5	4
26	2B-6237-00	3/8 Flat Washer	8
27	3M-6473-00	3X4 Rim Pad	1
28	6A-6374-00	Goal Assembly	1
29	1B-6821-00	#10 X 1 1/8" Self Tapping Screw	6
30	2S-6794-01	Post Ear	2
31	8S-6769-00	Cable Stirrup	1
32	2S-6427-00	Rim Cover Plate	1
33	1B-6788-00	#8 x 1/2 Thread Forming Scr.	4
34	3M-6469-00	5/8 Thread Protector	4
35	2B-6097-00	5/8-11 Hex Nut	12
36	2B-6099-00	5/8 Split Lockwasher	4
37	2B-6098-01	5/8 SAE FLAT WSHR	8
38	2S-6453-00	Anchor Template	1
39	2B-6112-00	5/8-11 X 14 "J" Bolt	4
40	1S-6167-00	#3 X 30" Rebar	4
41	7B-6255-00	Pull Pin	1
42	4A-6550-01	Actuator Handle	1
43	2L-7162-00	This Manual	1
44	3M-6580-00	Board Pad Right	1
45	3M-6581-00	Board Pad Left	1
46	7B-6292-00	Allen Wrench	1
47	3F-6010-00	Net	1
48	3M-6564-00	Post Pad Goaliath	1
49	1B-6782-00	3/8-16 x 1 3/4" Carriage Bolt	4
50	2B-6094-01	1/2" Split Lockwasher	2
78	3M-6245-00	1-1/4" OD Plastic Washer 1/2" ID	2
79	2B-6237-01	3/8 Flat Washer - Black	4







Key#	Part #	Description	Qty.
31	8S-6769-00	Cable Stirrup	1
51	6Q-6007-00	Dual 500w Halogen Lamp	1
52	8S-6770-00	Pole Section "A"	1
53	8S-6771-00	Pole Section "B"	1
54	8S-6772-00	Pole Section "C"	1
55	8S-6773-00	Pole Support Tube	1
56	7B-6290-00	Plastic Tie	7
57	901-86	1/4-20 x 1" Hex Head Bolt	6
58	1B-6165-01	5/16-18 x 2 Hex Head Bolt	4
59	2B-6014-00	1/4 Flat Washer	8
60	2B-6016-02	1/4-20 Nylon Locknut	6
61	1B-6047-00	5/16-18 x 3 Hex Head Bolt	1
62	701-50	5/16" Flat Washer	12
63	1B-6789-00	5/16-18 x 3/4 Hex Head Bolt	1
64	7B-6393-00	Snap Hook	1
65	6Q-6002-00	Wire Safety Cage	2
66	1B-6563-00	Self Tapping Screw	2
68	4A-6870-00	Lamp Mount Bar	1
74	4A-7596-00	Cable	1
75	2B-6023-00	5/16 Split Lockwasher	6
76	2B-6025-00	5/16-18 Hexnut	6



Key#	Part #	Description	Qty.
41	7B-6255-00	Pull Pin	1
66	1B-6563-00	Self Tapping Screw	4
67	2S-6797-00	Tube Bracket	2
68	8S-6781-00	Upper Net Pole	1
69	3M-6840-00	End Cap	1
70	3M-6841-00	End Cap with Flange	1
72	3F-6040-00	Net	1
73	3A-6055-00	Water Bag	2