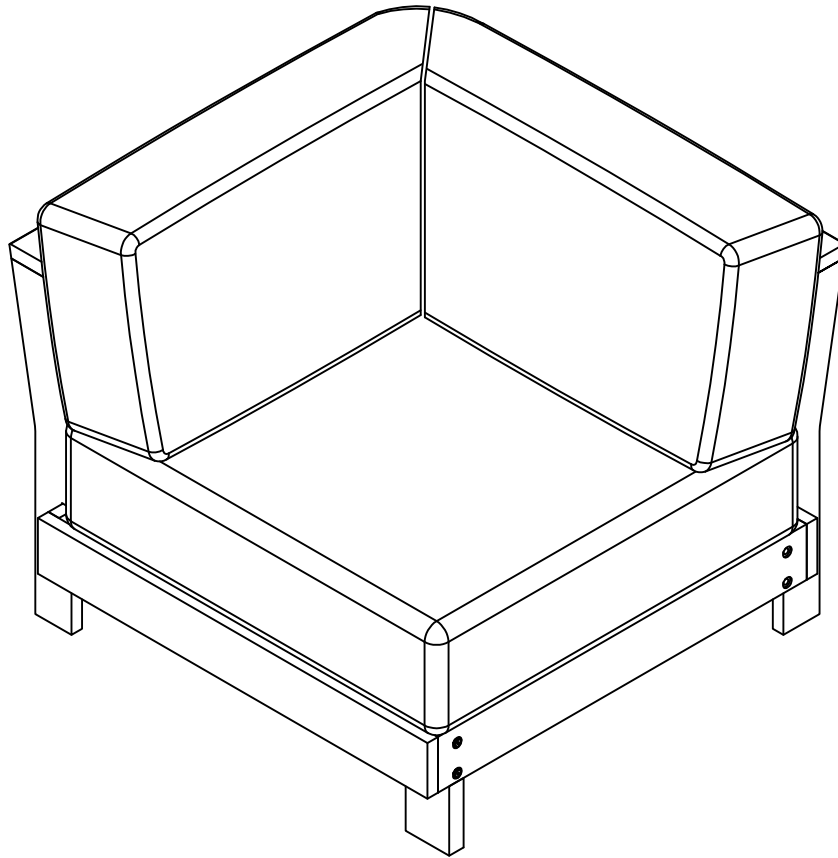


ASSEMBLY INSTRUCTION

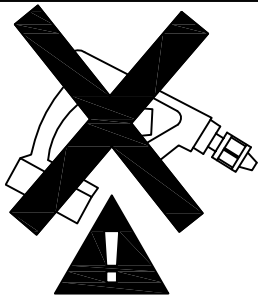
Corner Seat

80-OUTD-WD-SECCRS 36"Lx36"Wx32"H

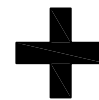
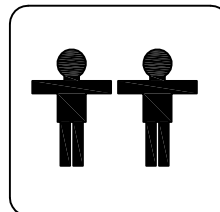


Customer Service

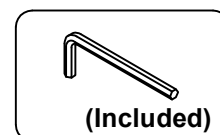
If you have any questions about assembly or possible missing parts, please contact us and we will be glad to assist you. Contact us through our website: www.TeamCustomerService.com



. Use of power tool to assemble this product will invalidate any claim and damage this product making it unsafe !!!
. Please assemble on a clean soft surface to avoid damage.

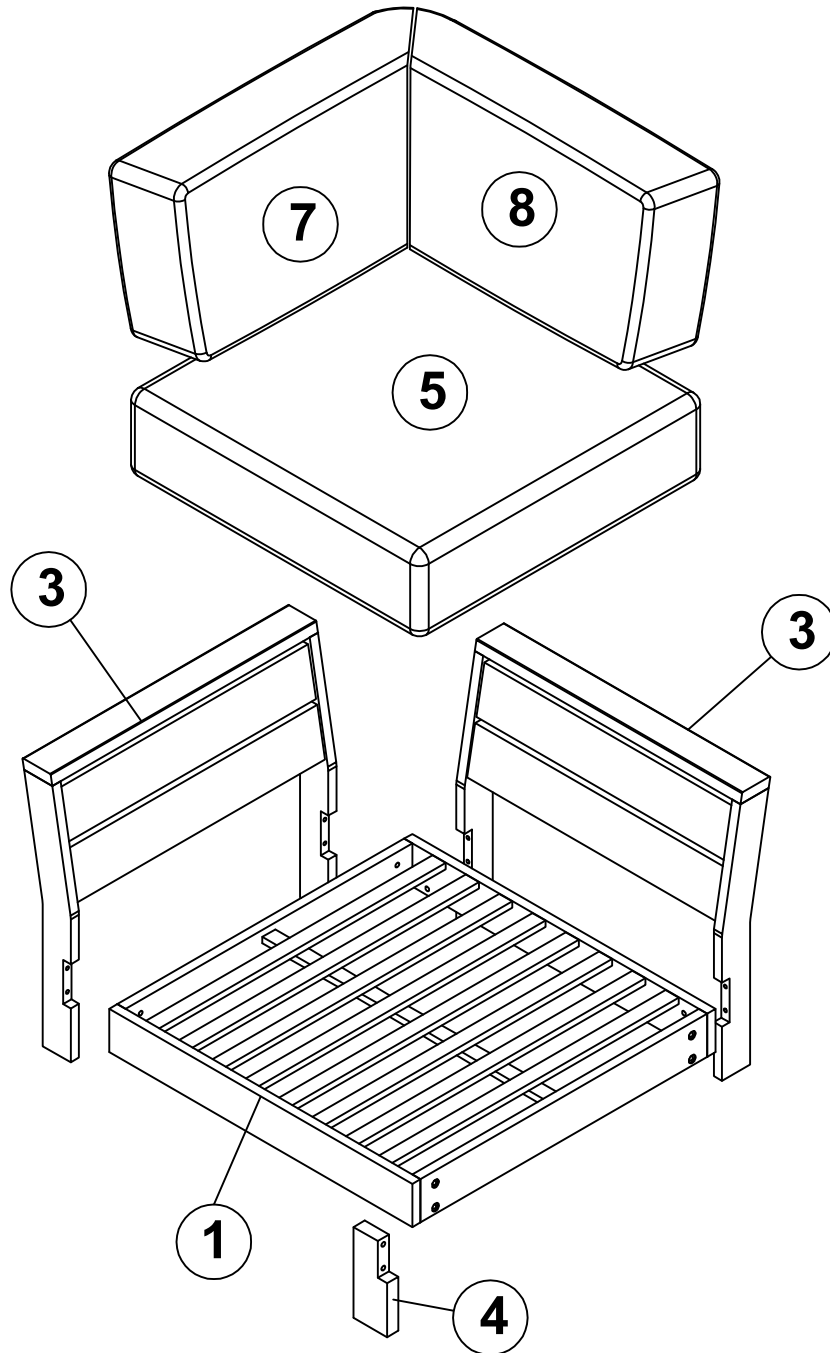


Tools Required

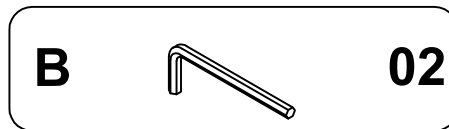
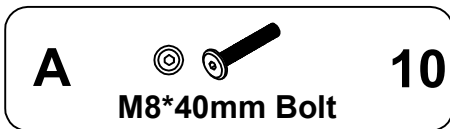


www.TeamCustomerService.com

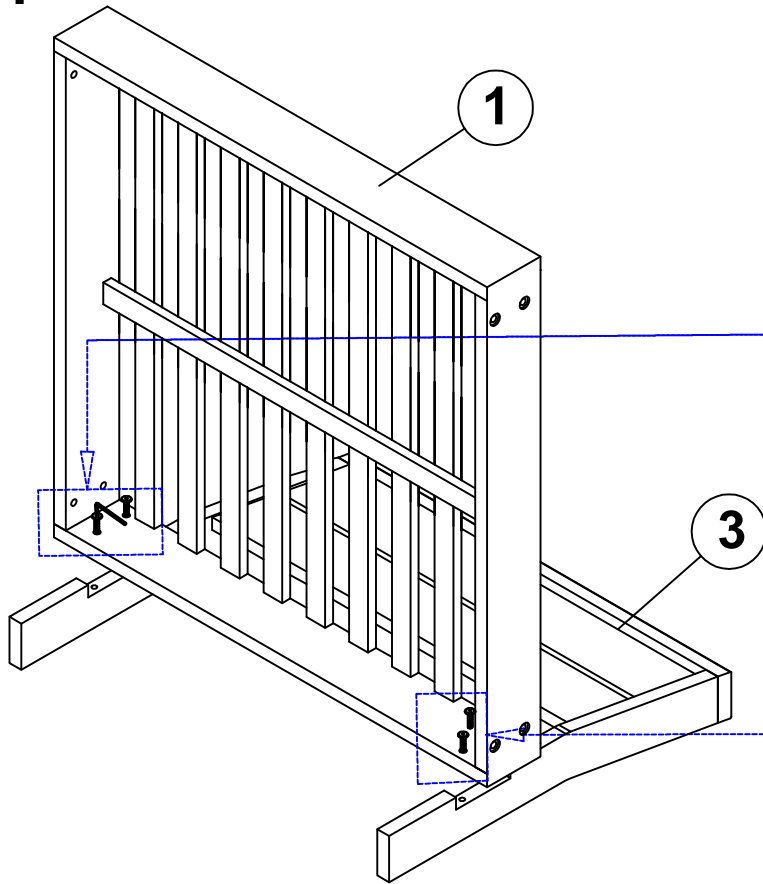
Part list - Corner Seat




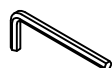
Identifying the hardware-Identify the hardware using the illustrations below

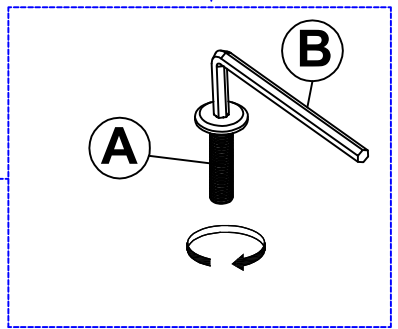


Step 01

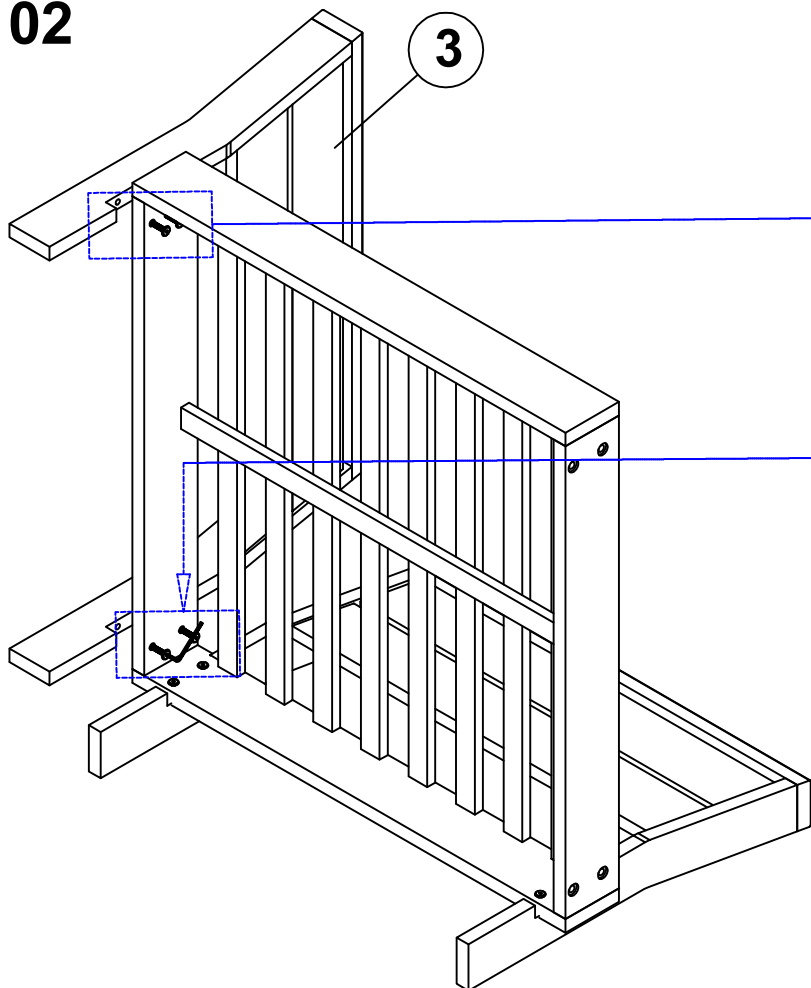



A  **04**
M8*40mm Bolt

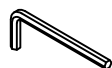
B  **01**

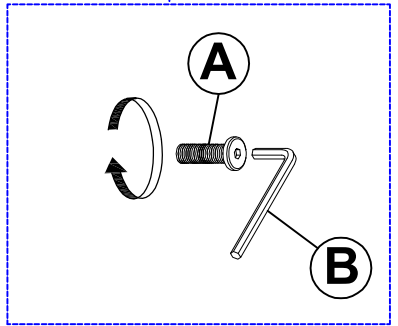


Step 02





A  **04**
M8*40mm Bolt

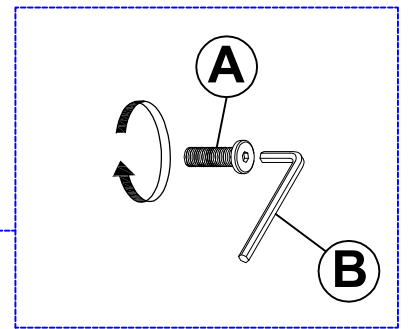
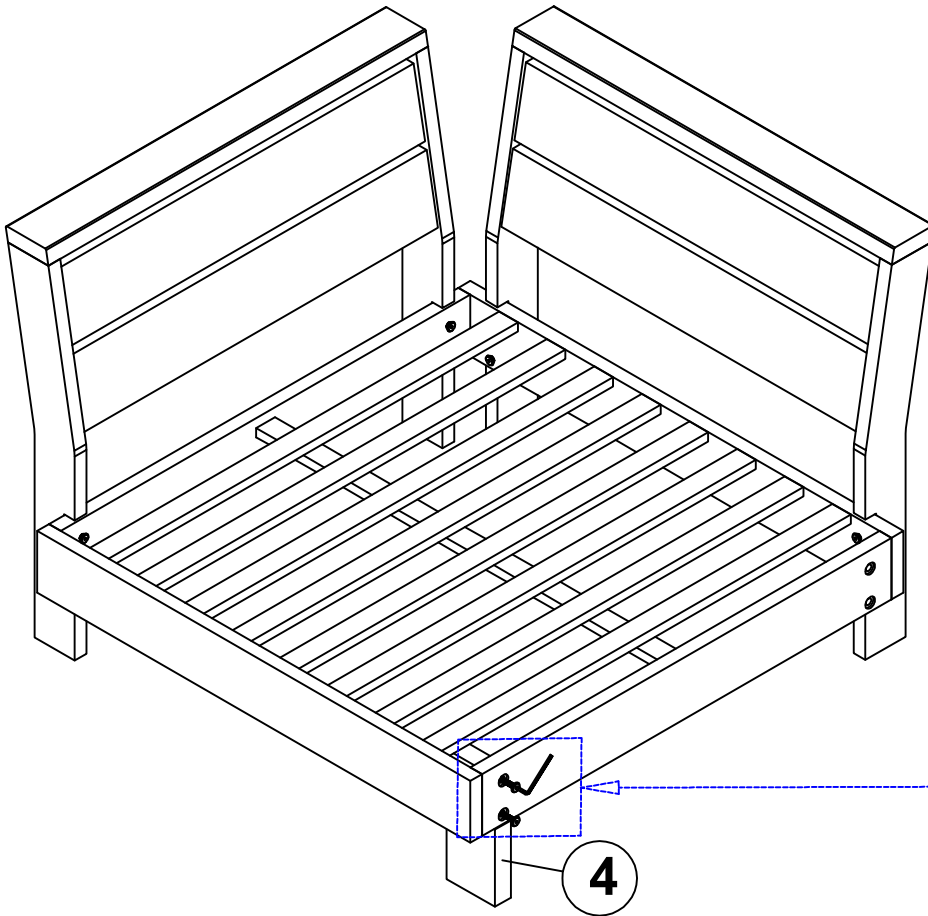
B  **01**



Step 03

A  **02**
M8*40mm Bolt

B  **01**



Step 04

