

**CAUTION:** Read instructions carefully and turn electricity off at main circuit breaker panel before beginning installation.

## 300272, 300273, 300274, 300275

\*\*\*\*\*  
**CAUTION:** Risk of fire. Min. 90°C supply conductors. Consult a qualified electrician to ensure correct branch circuit conductor.

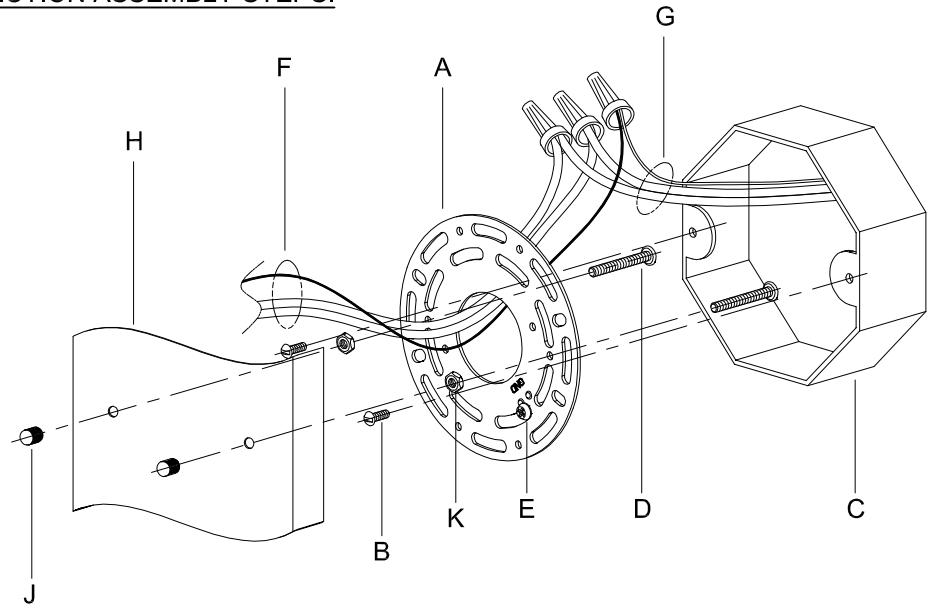
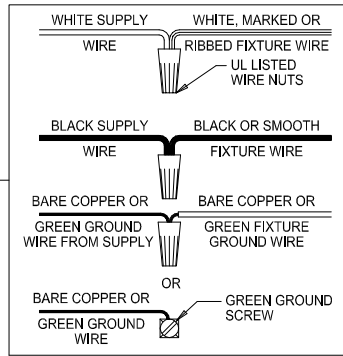
**WARNING -** If any Special Control Devices are used with this Fixture, Follow the Instructions Carefully to assure full compliance with N.E.C. requirements. If there are any questions, contact a Qualified Electrical Contractor.

**CAUTION -** All glass is fragile, use care when handling Glass component(s) and or Lamp(s).

\*\*\*\*\*

### CANOPY MOUNTING & WIRE CONNECTION ASSEMBLY STEPS:

1. D,E → A
2. K → D
3. B,A → C
4. F → G
5. H,J → D



\*\*\*\*\*

### FIXTURE ASSEMBLY STEPS:

1. M,N → P
2. L → P

B, C, G & L  
 (NOT FURNISHED)  
 (NO INCLUIDA)  
 (NON FOURNIE)

