



Manufactured by:  
 Backyard Discovery  
 3305 Airport Drive, Pittsburg, KS 66762  
 800-856-4445

Basepoint Business Centre: Rivermead Drive, Westlea, Swindon SN5 7EX Phone: 0800-118-2476  
 J.P. Coenstraat 7, The Bridge, The Hague, 2595 WP, Netherlands Phone: 08005678990

# Bay Pointe

## SWING SET

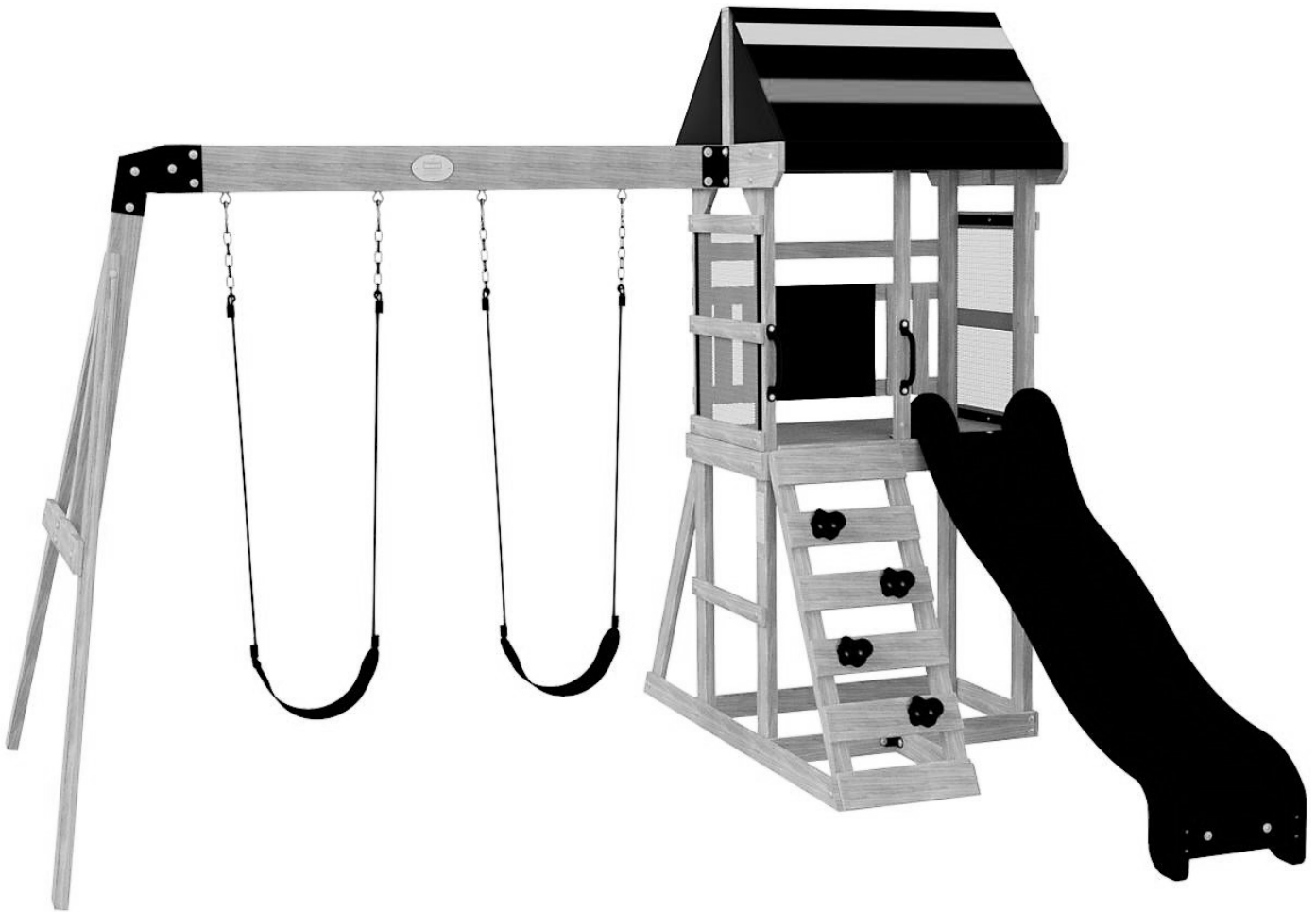
MODEL: # 2200128B



**WARNING**

**Adult Assembly Required.**

Not suitable for children under 36 months due to small parts.  
 FOR DOMESTIC USE ONLY. INTENDED FOR OUTDOOR USE.



Please visit [www.backyarddiscovery.com](http://www.backyarddiscovery.com)

For the most up to date assembly manual, to register your product, or to order replacement parts  
 Para obtener instrucciones en español, visite [www.backyarddiscovery.com](http://www.backyarddiscovery.com)



**EASY STEP-BY-STEP**  
**3D INTERACTIVE INSTRUCTIONS**  
 DOWNLOAD THE FREE APP



**INSTALLATION SERVICES AVAILABLE!**  
 See inside for details



Place the set on level ground, not less than 6'-7" [2 m] from any structure or obstruction such as a fence, garage, house, overhanging branches, laundry lines, or electrical wires.

- While assembling unit, take time before and after each phase to make sure fort is level. If fort is not level, assembly will be difficult and improper assembly may result. Extra care must be taken to insure the fort is square.
- The safe play area refers to a zone extending 6'-7" (2m) beyond the play product on all sides, including the space above the play product.

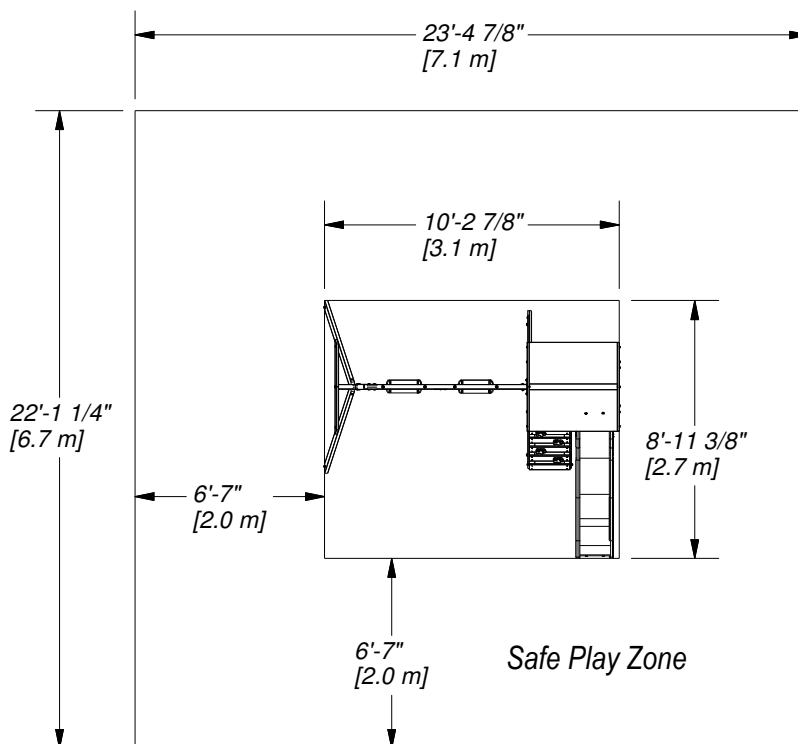
## SAFE PLAY AREA DIAGRAM

### Swingset Ground Dimension

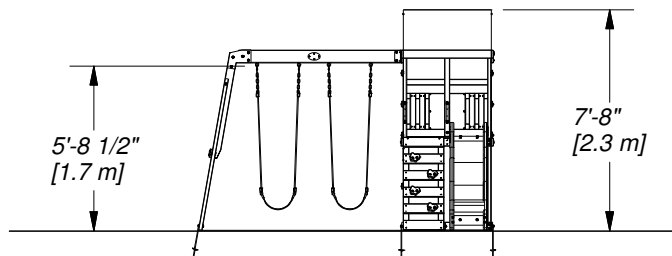
8'-11 3/8" [2.7m] x 10'-2 7/8" [3.1m]

### Safe Play Zone

22'-1 1/4" [6.7m] x 23'-4 7/8" [7.1m]



**SAFE PLAY HEIGHT: 14'-3" [4.3 m]**  
**MAXIMUM FALL HEIGHT: 5'-8 1/2" [1.7 m]**

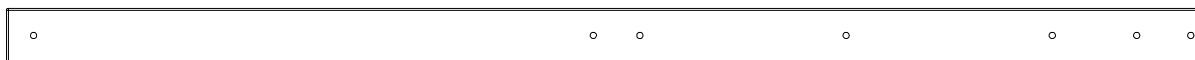


### General Information:

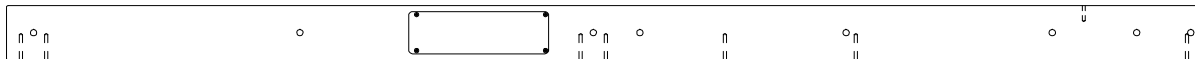
Your set has been designed and engineered for children only and for residential use only.  
 A maximum of 150 lbs. per child is recommended for play activities designed for individual use.  
 A maximum of 120 lbs. per child is recommended for play activities designed for multiple child use.  
 A maximum of 9 children is recommended for this swing set.



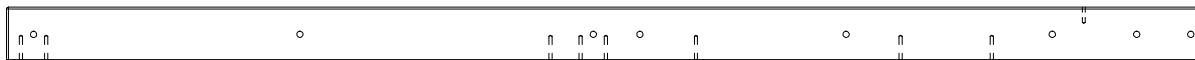
## Wood Components (Not to Scale)



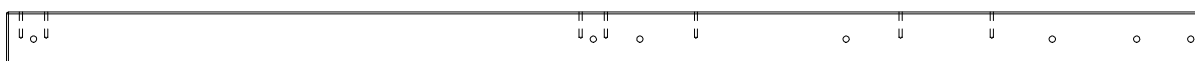
**E1 | RIGHT FRONT UPRIGHT - W4L15660**  
(1) | 1 3/8"x3 3/8"x75" (36x86x1905)



**E2 | POST ASSEMBLY - W2A02839**  
(1) | 1 7/16"x3 3/8"x75" (36x86x1905)



**E3 | LEFT BACK UPRIGHT - W4L13210**  
(1) | 1 3/8"x3 3/8"x75" (36x86x1905)



**E4 | RIGHT BACK UPRIGHT - W4L13211**  
(1) | 1 3/8"x3 3/8"x75" (36x86x1905)



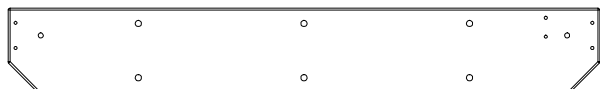
**E77 | ANGLE BRACE - W4L13293**  
(2) | 1 3/8"x3 3/8"x72 7/8" (36x86x1850)



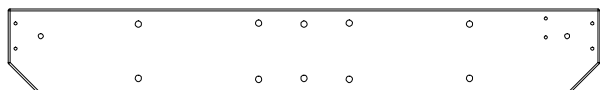
**F1 | UPRIGHT - W4L13283**  
(1) | 1 7/16"x2 3/8"x43 3/4" (36x60x1111)



**F2 | UPRIGHT - W4L13284**  
(1) | 1 7/16"x2 3/8"x43 3/4" (36x60x1111)



**G1 | TOP RAIL - W4L13219**  
(1) | 1"x5 1/4"x37" (24x134x940)



**G2 | TOP RAIL - W4L13228**  
(1) | 1"x5 1/4"x37" (24x134x940)



**H1 | FLOOR RAIL - W4L13212**  
(1) | 1"x3 3/8"x36 5/8" (24x86x930)



**H2 | FLOOR RAIL - W4L13213**  
(2) | 1"x3 3/8"x26" (24x86x660)



**H3 | FLOOR RAIL - W4L13221**  
(1) | 1"x3 3/8"x24 1/8" (24x86x612)



**H4 | FLOOR SUPPORT - W4L13222**  
(4) | 1"x3 3/8"x3 3/8" (24x86x86)



**H5 | TOP RAIL - W4L13227**  
(2) | 1"x3 3/8"x36 5/8" (24x86x930)



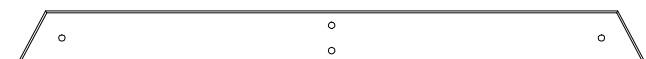
**H6 | ANGLE BRACE - W4L13288**  
(1) | 15/16"x3 3/8"x40 1/16" (24x86x1018)



**H7 | ANGLE BRACE - W4L13290**  
(2) | 15/16"x3 3/8"x11 13/16" (24x86x300)



**H8 | FLOOR RAIL - W4L13295**  
(1) | 1"x3 3/8"x36 5/8" (24x86x930)



**H79 | END SUPPORT - W4L13294**  
(1) | 1"x3 1/2"x39 1/2" (24x86x1000)



**J1 | UPRIGHT - W4L13226**  
(1) | 1"x2"x36" (24x52x914)



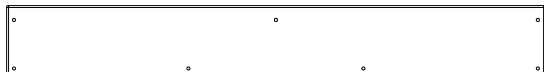
**J2 | PICKET - W4L13282**  
(2) | 1"x2 3/8"x15 1/8" (24x60x385)



## Wood Components (Not to Scale)



**J3** SAFETY RAIL - W4L13299  
(1) 1"x2 3/8"x36 5/8" (24x60x930)



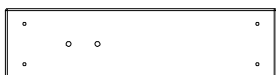
**L1** FLOOR BOARD - W4L13223  
(1) 5/8"x4 3/8"x33 3/4" (16x112x856)



**L2** FLOOR BOARD - W4L13225  
(1) 5/8"x4 3/8"x33 3/4" (16x112x856)



**L3** LADDER RUNG - W4L13285  
(1) 5/8"x4 3/8"x16 7/8" (16x112x430)



**L4** LADDER RUNG - W4L13286  
(4) 5/8"x4 3/8"x16 7/8" (16x112x430)



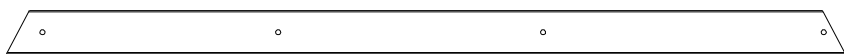
**L5** TOP LADDER RUNG - W4L13287  
(1) 5/8"x4 3/8"x16 7/8" (16x112x430)



**M1** GROUND RAIL - W4L13215  
(1) 5/8"x3 3/8"x36 5/8" (16x86x930)



**M2** GROUND RAIL - W4L13216  
(1) 5/8"x3 3/8"x25 3/8" (16x86x644)



**M3** ANGLE GROUND RAIL - W4L13217  
(1) 5/8"x3 3/8"x65 5/8" (16x86x1666)



**M4** FLOOR BOARD - W4L13224  
(5) 5/8"x3 3/8"x36 5/8" (16x86x930)



**SB74** SWING BEAM 2 POSITION - W4L13291  
(1) 2"x5 1/4"x68 3/4" (50x134x1745)



**M5** GROUND RAIL - W4L13209  
(1) 5/8"x3 3/8"x36 5/8" (16x86x930)



**M6** GROUND RAIL - W4L13296  
(1) 5/8"x3 3/8"x21 3/8" (16x86x542)



**M77** SLIDE BRACE - W4L13297  
(1) 5/8"x3 3/8"x14 1/4" (16x86x362)



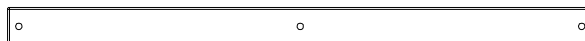
**M78** SLIDE BRACE - W4L13298  
(1) 5/8"x3 3/8"x14 1/4" (16x86x362)



**N1** SIDE RAIL - W4L13214  
(7) 5/8"x2 3/8"x24 1/8" (16x60x612)



**N2** SIDE RAIL - W4L13218  
(3) 5/8"x2 3/8"x36 5/8" (16x60x930)



**N3** TOP RAIL - W4L13220  
(1) 5/8"x2 3/8"x36 5/8" (16x60x930)



**N4** TOP RAIL - W4L13229  
(2) 5/8"x2 3/8"x21 1/8" (16x60x538)



**N5** TOP RAIL - W4L13280  
(1) 5/8"x2 3/8"x36 5/8" (16x60x930)



**N6** PICKET - W4L13281  
(4) 5/8"x2 3/8"x15 1/8" (16x60x385)



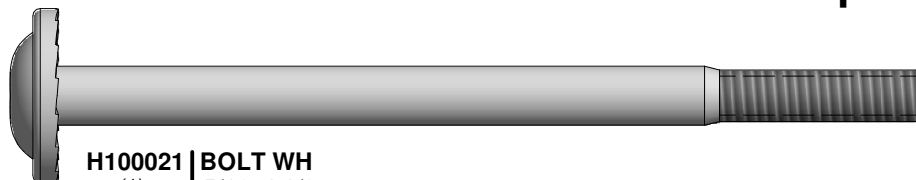
**T1** FLOOR SUPPORT - W4L13289  
(2) 15/16"x1 5/16"x17 1/4" (24x34x438)



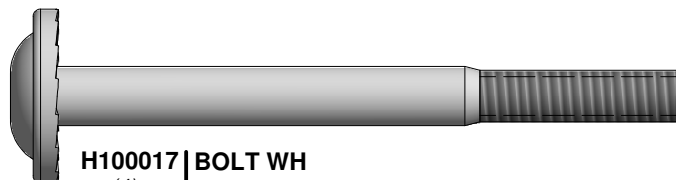
**W71** SWING BEAM SUPPORT - W4L13292  
(1) 2"x3 3/8"x44 1/4" (50x86x1123)



## Hardware Components



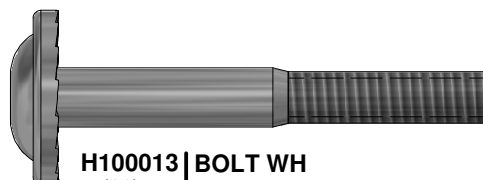
**H100021 | BOLT WH**  
(1) | 5/16x4 1/2



**H100017 | BOLT WH**  
(4) | 5/16x3 1/4



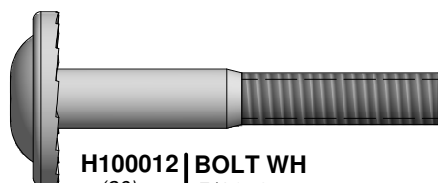
**H100029 | LAG SCREW WH**  
(1) | 5/16x3



**H100013 | BOLT WH**  
(11) | 5/16x2 1/4



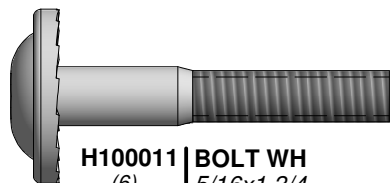
**H100028 | LAG SCREW WH**  
(8) | 5/16x2 1/2



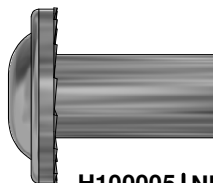
**H100012 | BOLT WH**  
(20) | 5/16x2



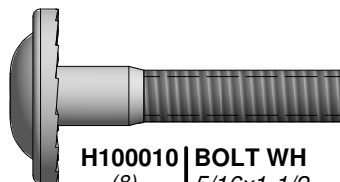
**H100027 | LAG SCREW WH**  
(22) | 5/16x2



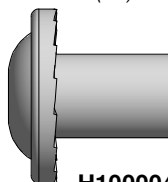
**H100011 | BOLT WH**  
(6) | 5/16x1 3/4



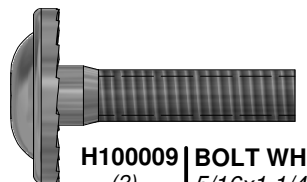
**H100005 | NUT BARREL WH**  
(10) | 5/16x7/8



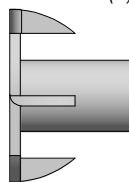
**H100010 | BOLT WH**  
(8) | 5/16x1-1/2



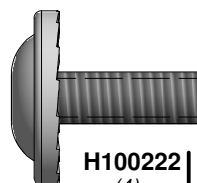
**H100004 | NUT BARREL WH**  
(7) | 5/16 x 5/8



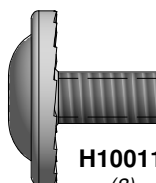
**H100009 | BOLT WH**  
(2) | 5/16x1 1/4



**H100074 | T-NUT**  
(49) | 5/16

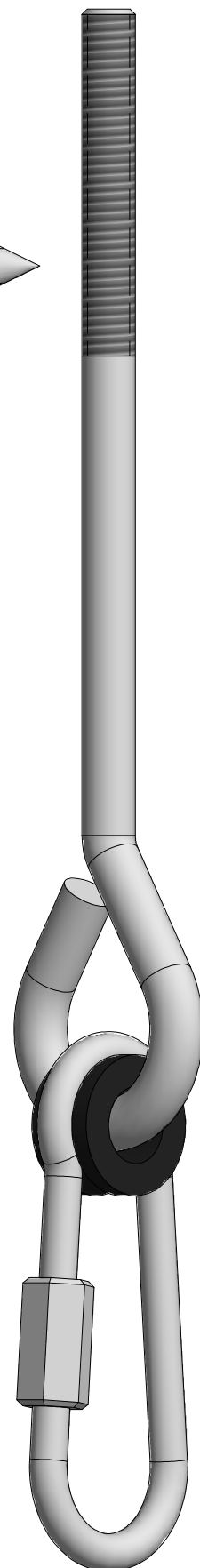


**H100222 | BOLT WH**  
(4) | 5/16x3/4



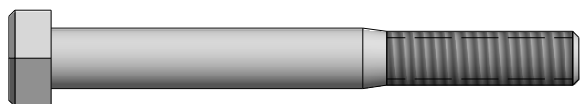
**H100115 | BOLT WH**  
(8) | 5/16x1/2

**H100099 | SWING HANGER**  
(4) | 5/16x9 1/2

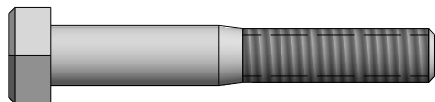




## Hardware Components



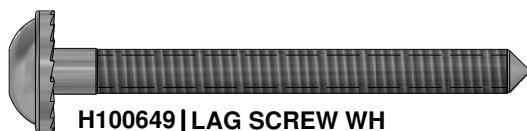
**H100047 | BOLT HEX**  
(2) | 5/16x2 3/4



**H100044 | BOLT HEX**  
(2) | 5/16x2



**H100042 | BOLT HEX**  
(2) | 5/16x1 1/4



**H100649 | LAG SCREW WH**  
(3) | 1/4x2 1/2



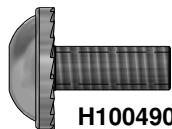
**H100145 | LAG SCREW WH**  
(3) | 1/4x1 1/2



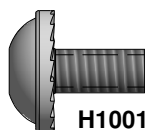
**H100142 | BOLT WH**  
(2) | 1/4x1-1/4



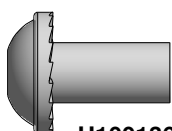
**H100137 | BOLT WH**  
(4) | 1/4x1



**H100490 | BOLT WH**  
(7) | 1/4x5/8



**H100141 | BOLT WH**  
(2) | 1/4 x 1/2"



**H100136 | NUT BARREL WH**  
(7) | 1/4x5/8



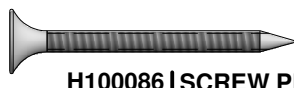
**H100090 | SCREW PFH**  
(22) | 8x2 1/2"



**H100111 | SCREW PFH**  
(13) | 8x2



**H100089 | SCREW PFH**  
(11) | 8x1 3/4



**H100086 | SCREW PFH**  
(71) | 8x1 1/2



**H100088 | SCREW PFH**  
(17) | 8x1 1/8



**H100121 | SCREW PFH**  
(9) | 8x3/4



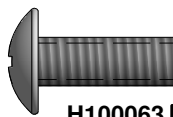
**H100070 | SCREW PWH**  
(11) | 8x3/4



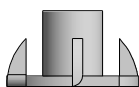
**H100128 | SCREW PWH**  
(11) | 8x5/8



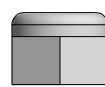
**H100392 | SCREW PWH BLK**  
(7) | 8x3/4



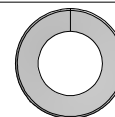
**H100063 | BOLT PTH**  
(9) | 1/4x3/4



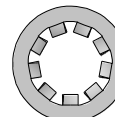
**H100072 | T-NUT**  
(18) | 1/4



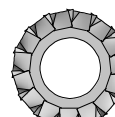
**H100110 | NUT LOCK**  
(7) | 5/16



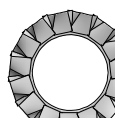
**H100095 | WASHER SPLIT**  
(4) | 5/16



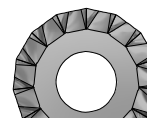
**H100108 | WASHER LOCK INT**  
(9) | 8x15



**H100138 | WASHER LOCK EXT**  
(8) | 6x15



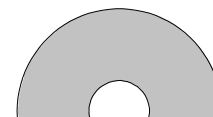
**H100139 | WASHER LOCK EXT**  
(7) | 8x15



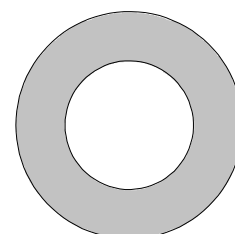
**H100030 | WASHER LOCK EXT**  
(72) | 8x19



**H100031 | WASHER LOCK EXT**  
(11) | 12x19



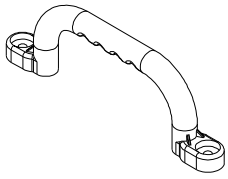
**H100105 | WASHER FLAT**  
(13) | 8x27



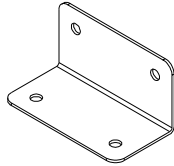
**H100103 | WASHER SAFETY**  
(4) | 17x30



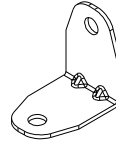
Accessory Components (Not to Scale)



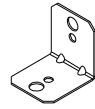
A6P00314 | HAND GRIP  
(2) | BLUE PLASTIC



A100153 | L BRACKET  
(2) | 66x66x127 BLUE



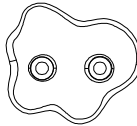
A4M01048 | L BRACKET  
(2) | 2.5x38x55x55



A4M01110 | 90° L-BRACKET -  
(6) | BLK



A100175 | BYD ID TAG  
(1) | (MEDIUM) AGES  
3-10



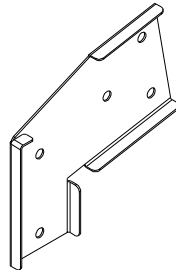
A6P00040 | BLUE HC ROCK  
(4) | #2



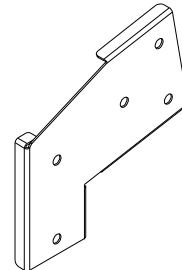
A100178 | AUGER GROUND  
(6) | STAKE



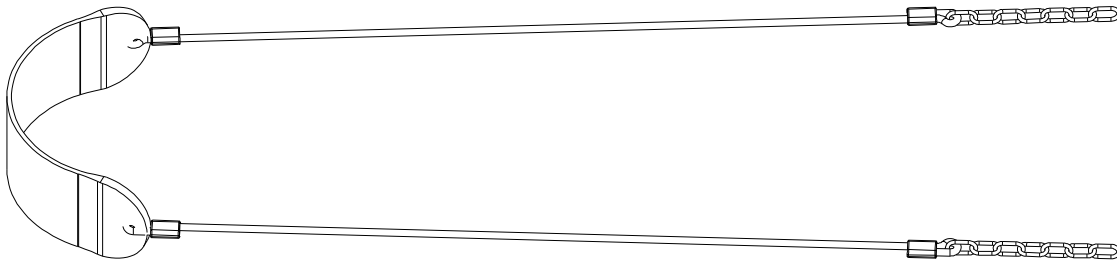
A100314 | "A" REVISION  
(1) | TAG



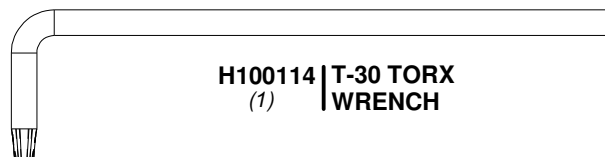
A4M00511 | SWING BEAM  
(1) | EXT. BRACKET  
BLUE - LEFT



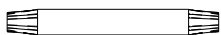
A4M00512 | SWING BEAM  
(1) | EXT BRACKET  
BLUE - RIGHT



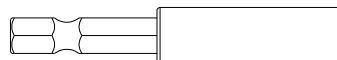
A6P00405 | ROPE-CHAIN B /  
(2) | SEAT B



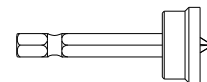
H100114 | T-30 TORX  
(1) | WRENCH



H100147 | T-30 TORX BIT  
(1)



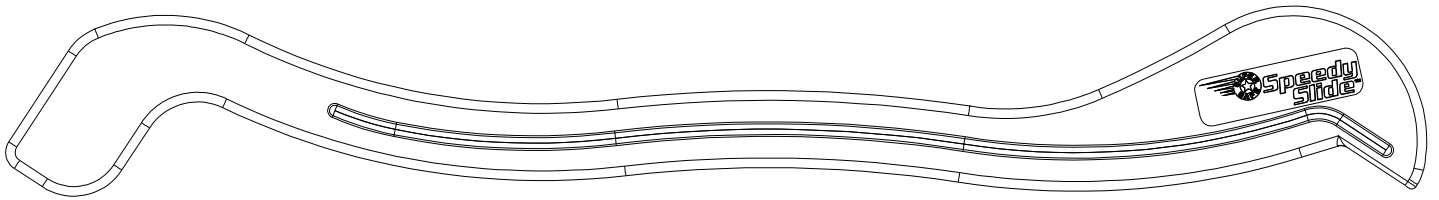
H101100 | MAGNETIC DRIVER  
(x1)



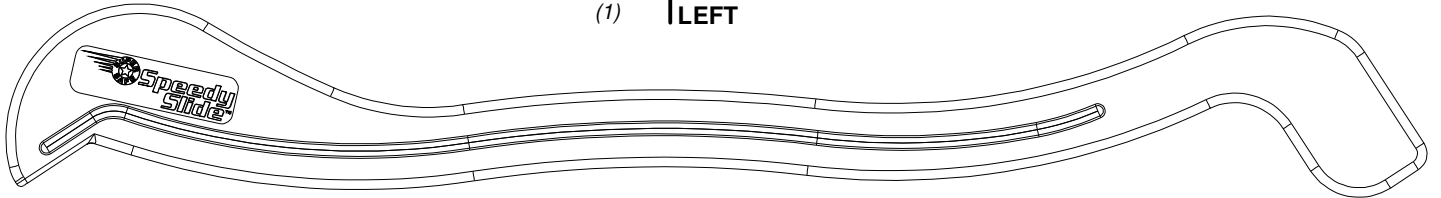
H100764 | SCREW SETTER  
(1)



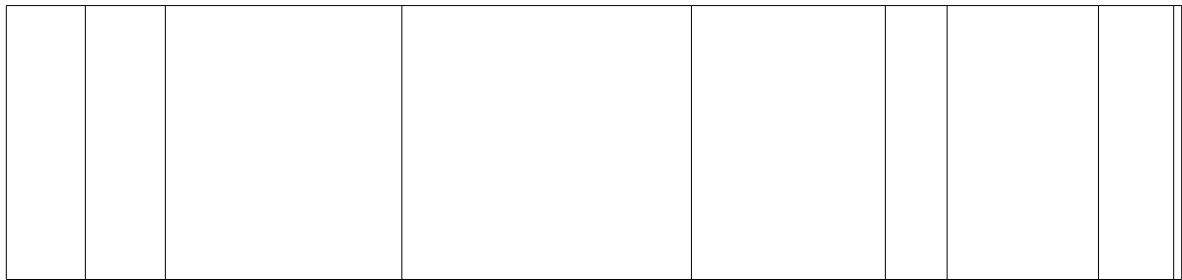
Accessory Components (Not to Scale)



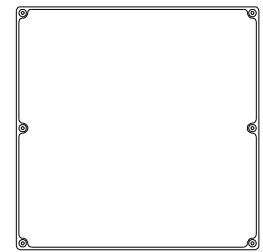
A6P00402 | 6 FT SLIDE RAIL  
(1) | LEFT



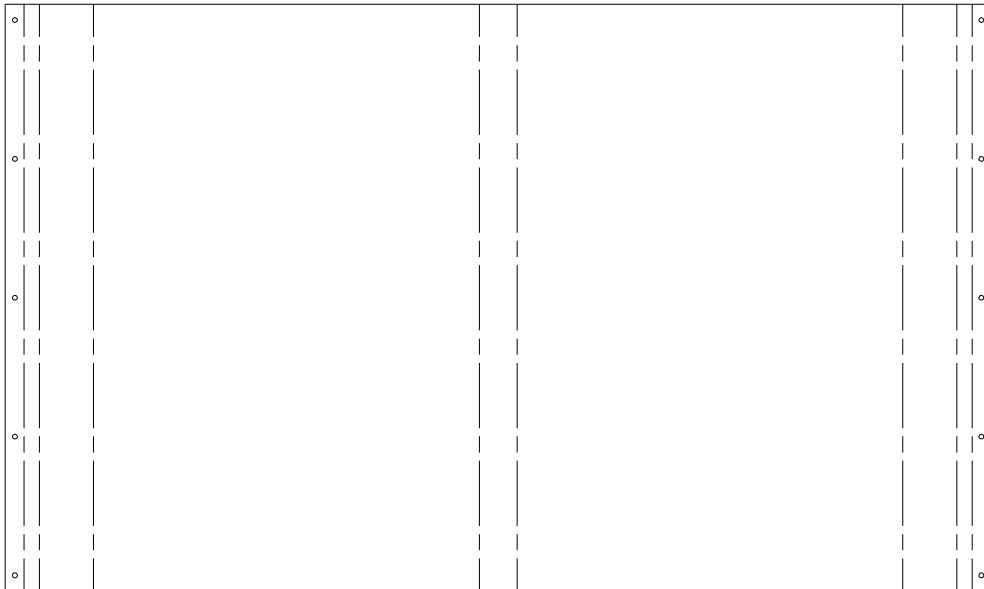
A6P00403 | 6 FT SLIDE RAIL  
(1) | RIGHT



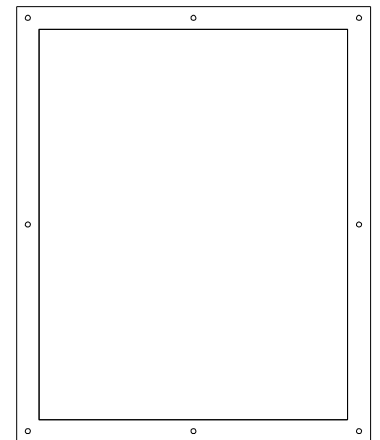
A6P00404 | 6 FT SLIDE BED  
(1)



A6P00323 | CHALK BOARD  
(1)



A6P00509 | ROOF TARP  
(1)



A6P00401 | MESH PANEL  
(2)

# PRE-ASSEMBLY STEP 1 - SORTING PARTS

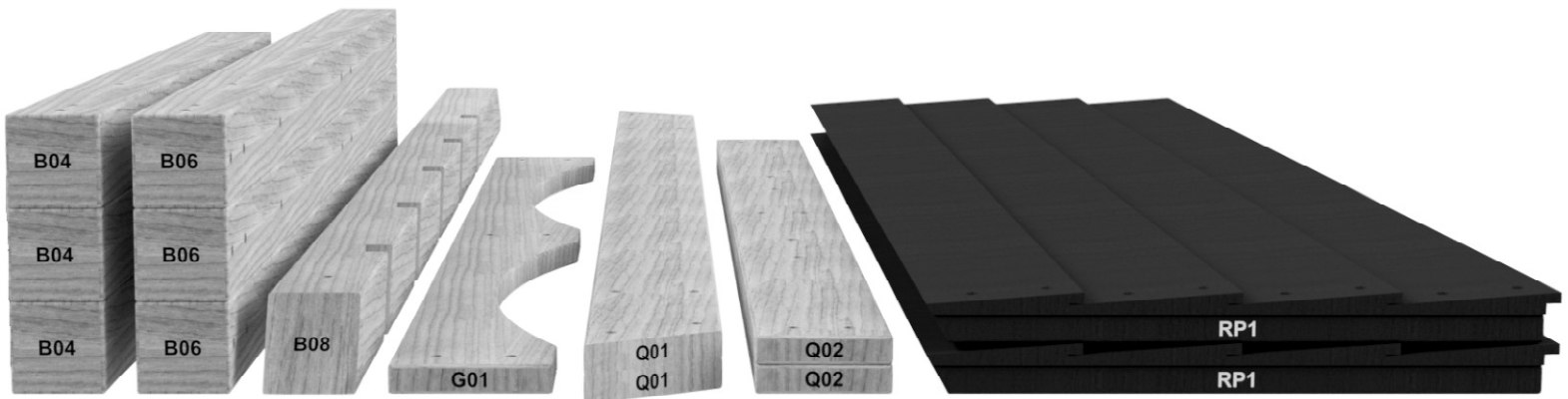
It is critical for ease of assembly that you take the time to sort and organize the wood and hardware.

---

## WOOD PARTS:

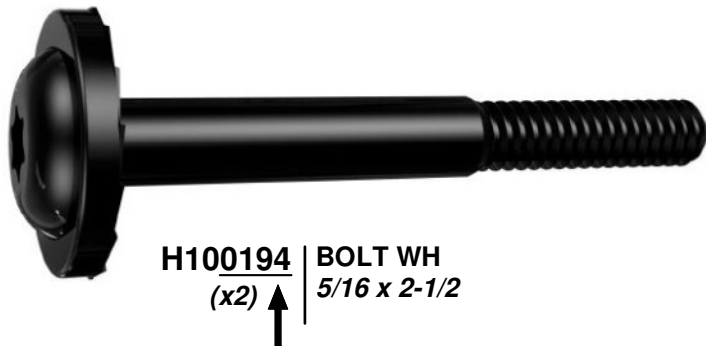
- Organize wood parts by the three-digit, alpha-numeric number stamped on each board (ex. P01).
- If there are multiple boards with the same stamped number, stack those pieces together.
- Stamps can be found on the flat surface of the boards or on the end of the boards.
- Allow yourself plenty of room - the wood pieces can take up a significant amount of space.

**NOTE: CARTONS ARE NOT ORGANIZED BY BOARD NUMBER.**



## HARDWARE PARTS:

- We recommend that you have a separate table to organize the hardware.
- Hardware bags are printed with a seven-digit, alpha-numeric part number.
- You can organize your hardware by part number or group by hardware type (i.e. bolts, nuts, etc.).
- During assembly you only need to reference the last four digits of the number.



# PRE-ASSEMBLY STEP 2 - TOOLS REQUIRED



**Cordless Drill or  
Electric Drill**



**Drill Attachments:  
Phillips Head**



**1/8", 3/16", 3/8" & 7/16"  
Drill Bits**



**Phillips Screw Driver**



**Open End Wrenches 1/2" & 9/16"**



**3/8" Drive Ratchet, 1/2" &  
9/16" STD Sockets 1/2" & 9/16" Deep  
Sockets**



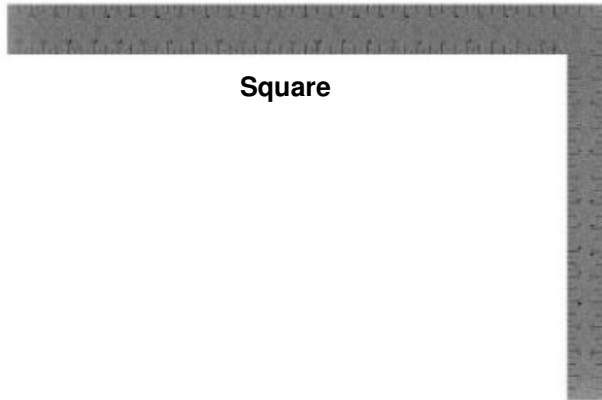
**Claw Hammer**



**Rubber Mallet - Optional**



**Tape Measure**



**Square**

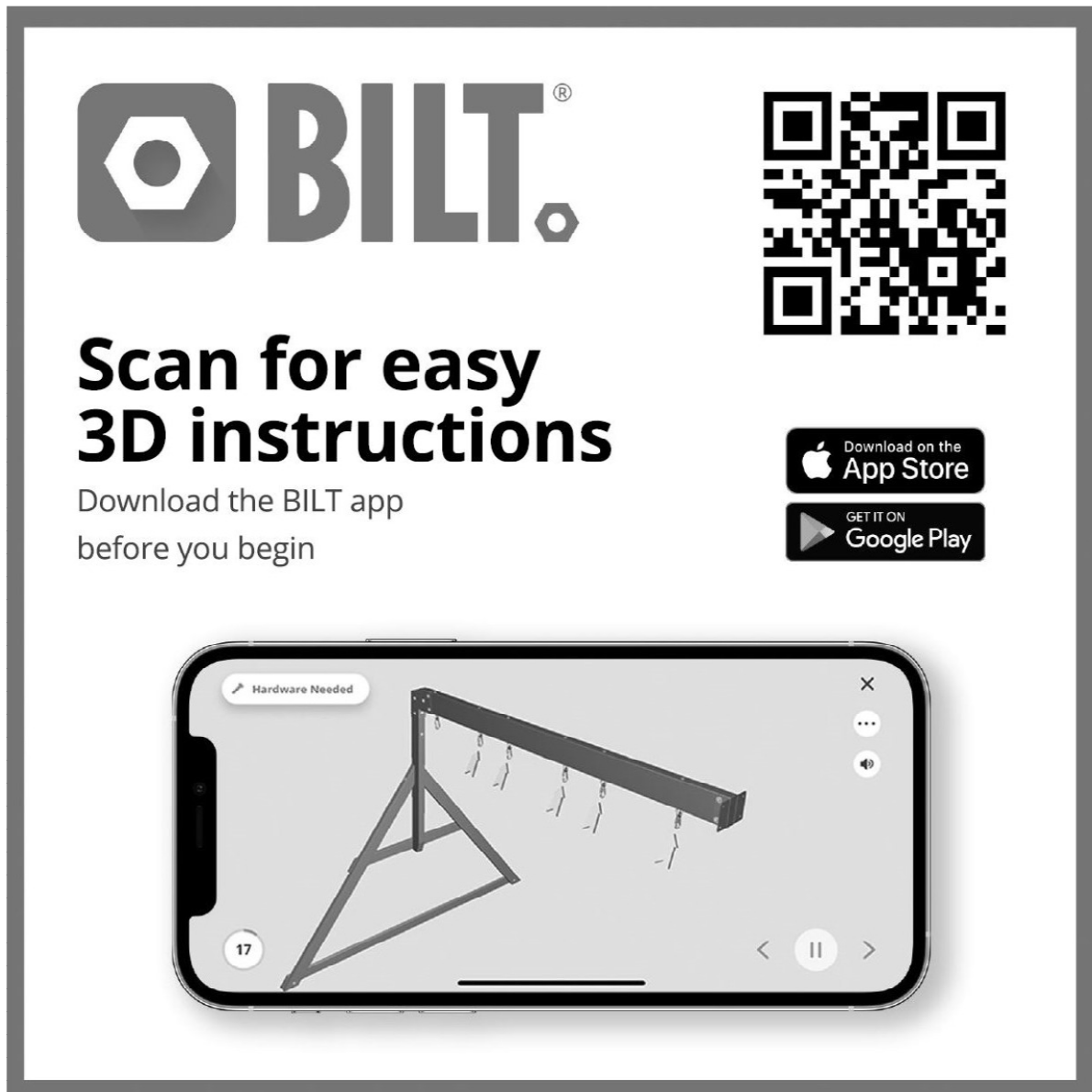


**Level 24"**

# PRE-ASSEMBLY STEP 3 - CHOOSE YOUR ASSEMBLY METHOD

There are several types of assembly instructions available to you.

1. Printed Assembly Manual included with your set
2. BILT APP - 3D interactive instructions
3. Combination of the Printed Manual and BILT APP (Note: Step numbers can differ between the two methods)



The advertisement features the BILT logo (a hexagon with a dot) and the word "BILT." in a bold, sans-serif font. To the right is a large QR code. Below the logo, the text "Scan for easy 3D instructions" is written in a large, bold font, followed by "Download the BILT app before you begin" in a smaller font. To the right of this text are two buttons: "Download on the App Store" and "GET IT ON Google Play". At the bottom, a smartphone screen displays a 3D assembly instruction for step 17, showing a metal frame with a horizontal beam and several hanging components. The screen includes a "Hardware Needed" label, a close button (X), a menu button (three dots), a volume icon, and navigation arrows.



# LADDER ASSEMBLY

# STEP 1



**L4** | LADDER RUNG - W4L13286  
(x4) | 5/8"x4 3/8"x16 7/8" (16x112x430)



**A6P00040** | BLUE HC ROCK #2  
(x4)



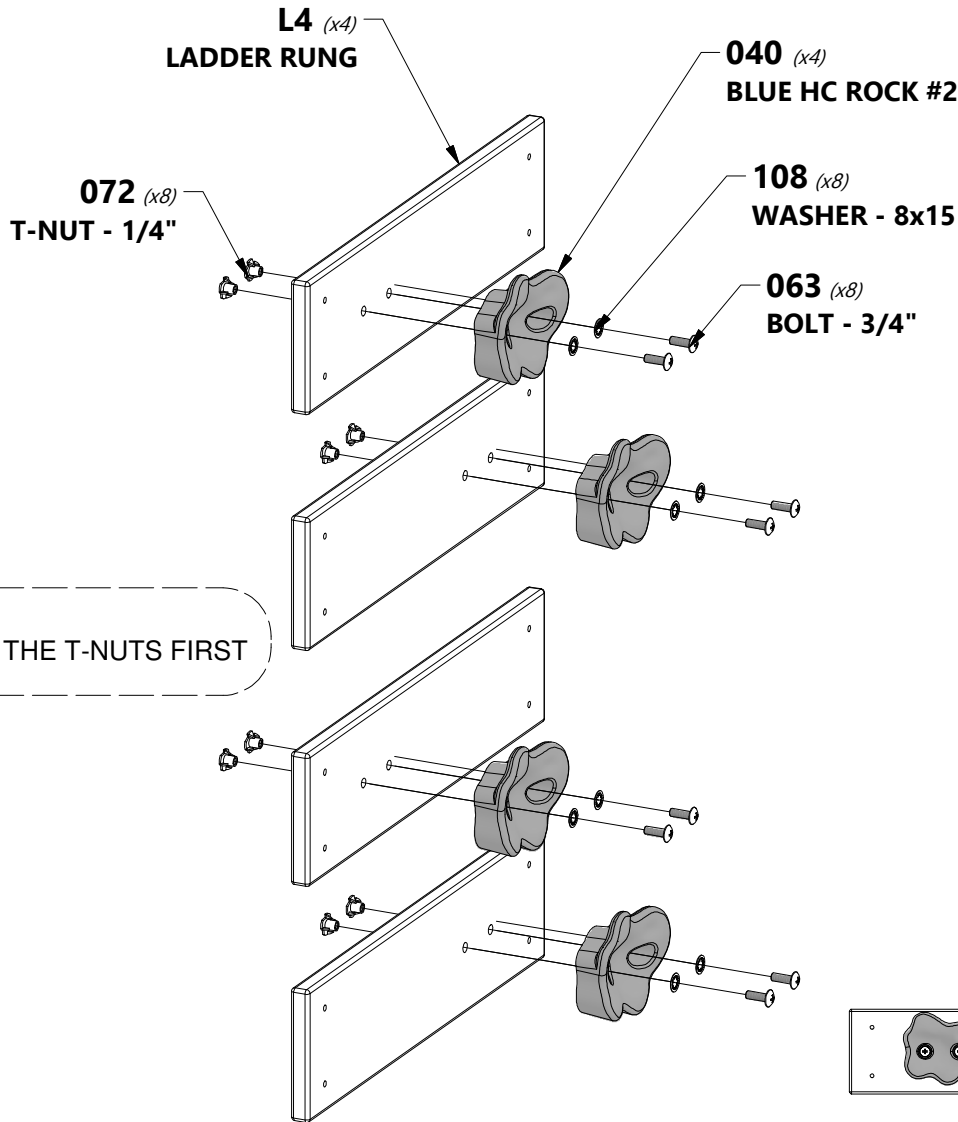
**H100063** | BOLT PTH  
(x8) | 1/4x3/4



**H100108** | WASHER  
LOCK INT  
(8) | 8x15



**H100072** | T-NUT  
(x8) | 1/4



 **TIP:**  
INSTALL THE T-NUTS FIRST

**LEFT RUNG ASSEMBLY** (x2)



**RIGHT RUNG ASSEMBLY** (x2)





# LADDER ASSEMBLY

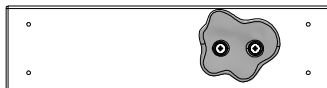
# STEP 2



**L3** | LADDER RUNG - W4L13285  
(x1) | 5/8"x4 3/8"x16 7/8" (16x112x430)



**LEFT RUNG ASSEMBLY** (x2)



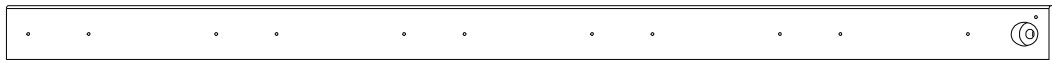
**RIGHT RUNG ASSEMBLY** (x2)



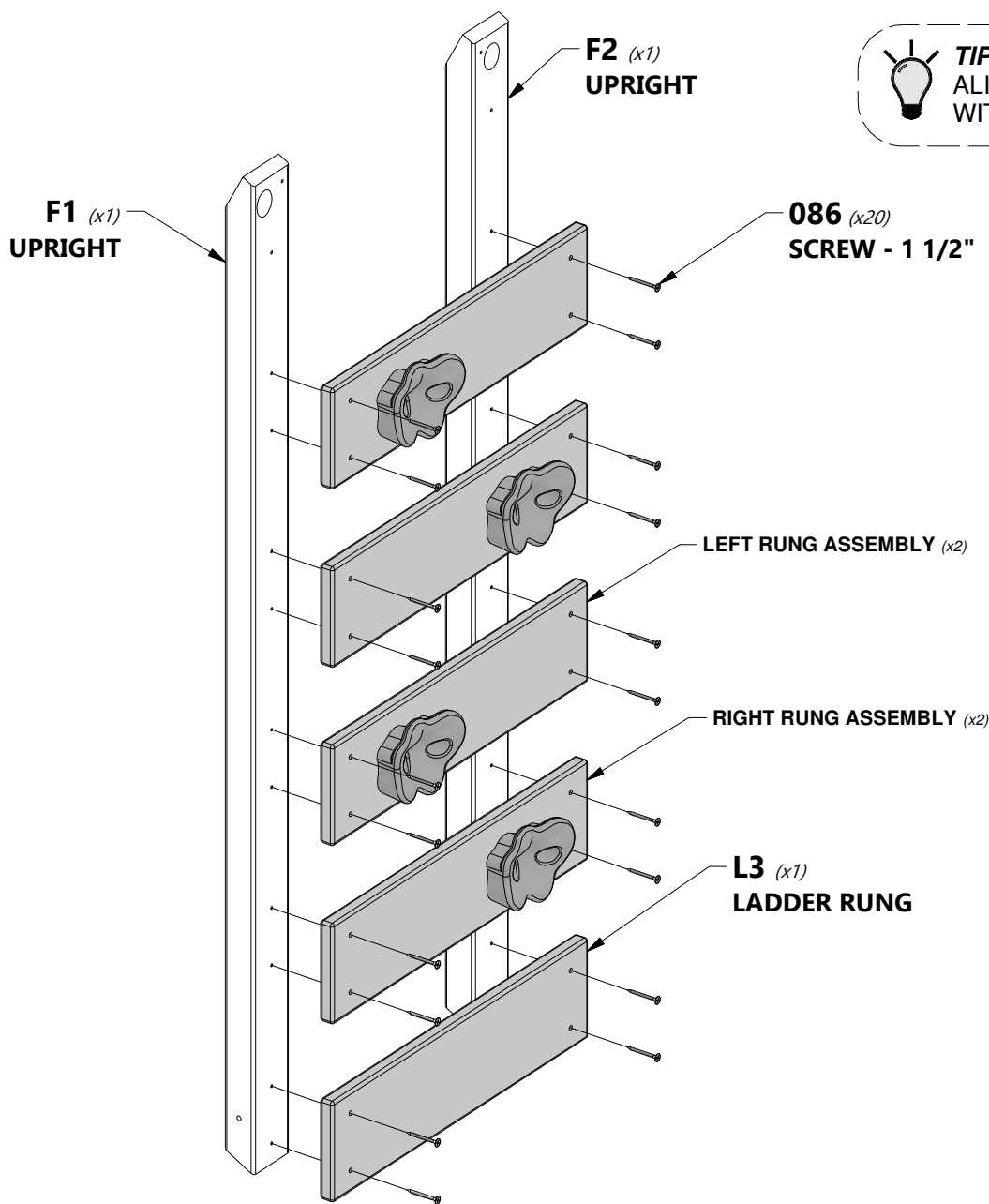
**H100086** | SCREW PFH  
(x20) | 8x1 1/2



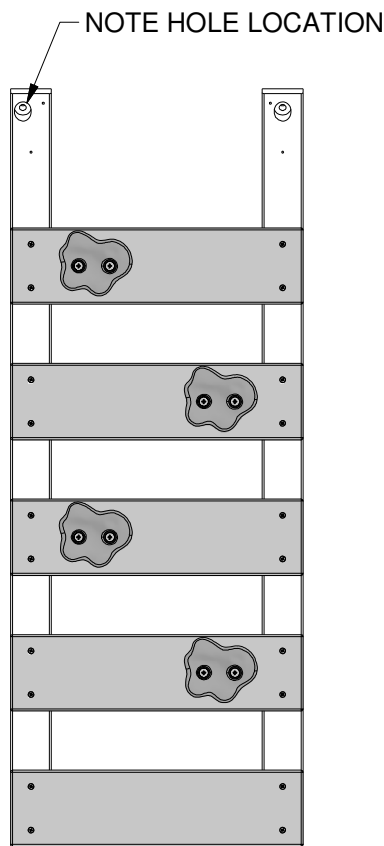
**F1** | UPRIGHT - W4L13283  
(x1) | 1 7/16"x2 3/8"x43 3/4" (36x60x1111)



**F2** | UPRIGHT - W4L13284  
(x1) | 1 7/16"x2 3/8"x43 3/4" (36x60x1111)



**TIP:**  
ALIGN HOLES IN RUNGS WITH HOLES IN UPRIGHTS.





# SLIDE ASSEMBLY

# STEP 1



**A6P00404** | 6 FT SLIDE BED  
(1)



**M77** | SLIDE BRACE - W4L13297  
(1) | 5/8"x3 3/8"x14 1/4" (16x86x362)



**H100115** | BOLT WH  
(2) | 5/16x1/2



**H100074** | T-NUT  
(2) | 5/16



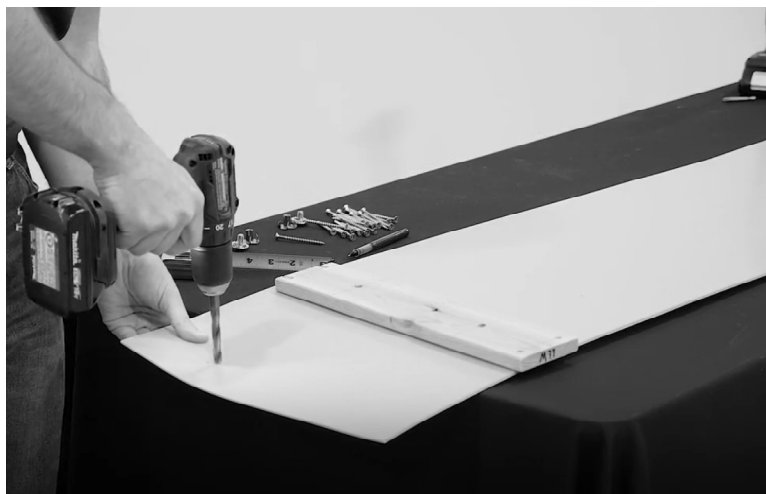
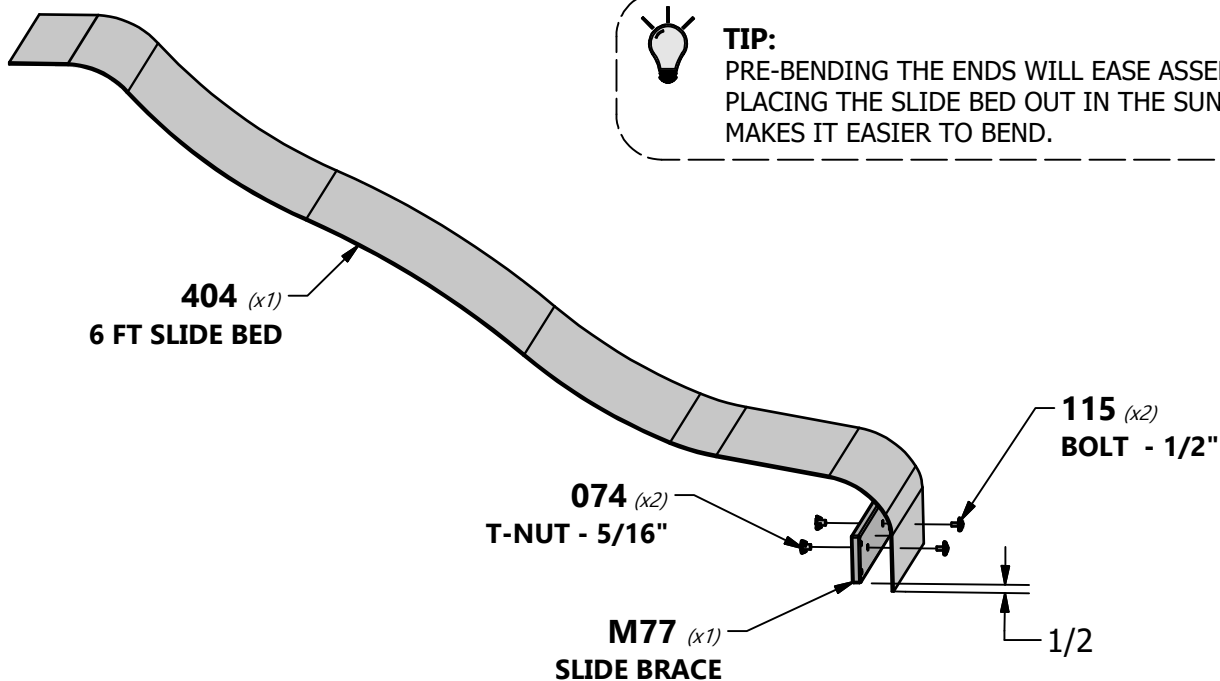
**NOTE:**

TAKE NOTE OF SLIDE BED SURFACE FINISH, THE DULL SIDE WILL BE TOWARDS THE GROUND. PLACE SLIDE BRACE CENTERED ON THE BOTTOM (DULL SIDE) AND 1/2" FROM THE EDGE. USE **M77** BOARD AS A TEMPLATE FOR DRILLING BOTTOM HOLE PATTERN IN SLIDE BED. USE A 5/16" DRILL BIT.



**TIP:**

PRE-BENDING THE ENDS WILL EASE ASSEMBLY. PLACING THE SLIDE BED OUT IN THE SUN MAKES IT EASIER TO BEND.





# SLIDE ASSEMBLY

# STEP 2



**M78** | SLIDE BRACE - W4L13298  
(1) | 5/8"x3 3/8"x14 1/4" (16x86x362)



**A6P00403** | 6 FT SLIDE RAIL RIGHT  
(1)



**A6P00402** | 6 FT SLIDE RAIL LEFT  
(1)



**H100090** | SCREW PFH  
(16) | 8x2 1/2"



### NOTE:

PLACE SECOND SLIDE RAIL ASSEMBLY OVER THE TOP OF THE SLIDE BED AND M78 CENTER SLIDE BRACES. INSERT THE SLIDE BED AND CENTER SLIDE BRACES INTO THE SLIDE CAVITY. MAKE SURE SLIDE BED IS COMPLETELY IN THE SLIDE CAVITY. USE A RUBBER Mallet TO FULLY SEAT THE SLIDE BED INTO THE SLIDE CAVITY.

USING AN 1/8" DRILL BIT, DRILL PILOT HOLES IN EACH INDENTATION ALONG EACH SIDE RAIL. THERE SHOULD BE 12 INDENTATIONS ON EACH RAIL. BE SURE TO DRILL THROUGH THE SLIDE RAIL AND THE SLIDE BED. THEN SECURE WITH THE PROVIDED HARDWARE.

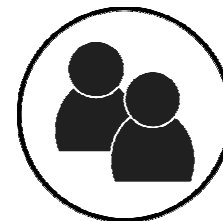
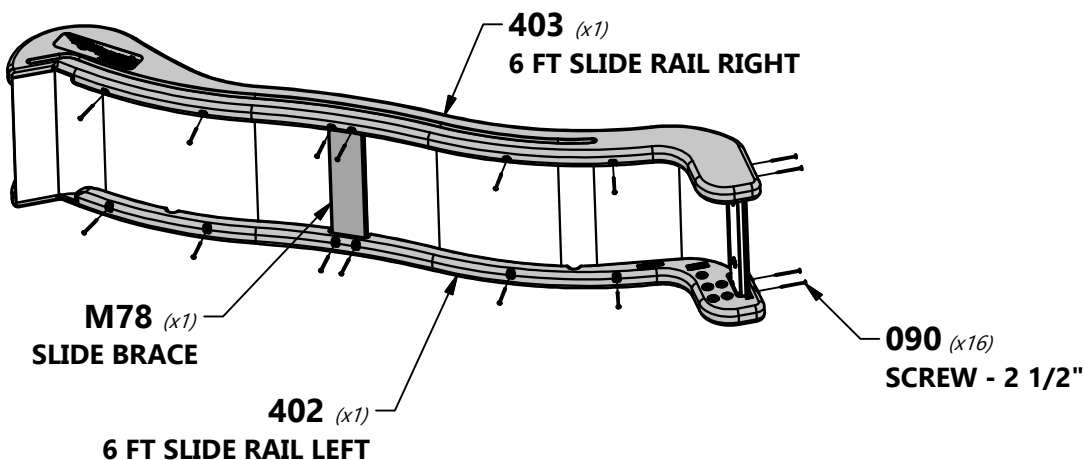


**FAILURE TO INSERT SLIDE BED COMPLETELY AND SECURED MAY RESULT IN INJURY OR AMPUTATION. EXPOSED SLIDE EDGES CAN BE SHARP AND BECOME A LACERATION HAZARD IF THE SLIDE IS NOT PROPERLY ASSEMBLED.**



### TIP:

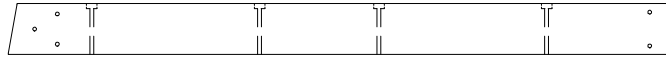
A HELPER IS REQUIRED FOR THIS STEP.



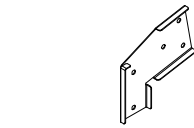


# SWING BEAM

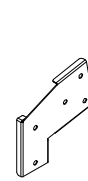
# STEP 1



**SB74** | SWING BEAM 2 POSITION - W4L13291  
(1) | 2"x5 1/4"x68 3/4" (50x134x1745)



**A4M00511** | SWING BEAM  
EXT. BRACKET  
BLUE - LEFT  
(1)



**A4M00512** | SWING BEAM  
EXT BRACKET  
BLUE - RIGHT  
(1)



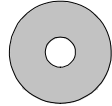
**A100153** | L BRACKET  
(2) | 66x66x127 BLUE



**A100175** | BYD ID TAG  
(1) | (MEDIUM) AGES  
3-10



**H100047** | BOLT HEX  
(2) | 5/16x2 3/4



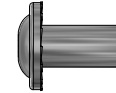
**H100105** | WASHER FLAT  
(4) | 8x27



**H100110** | NUT LOCK  
(2) | 5/16



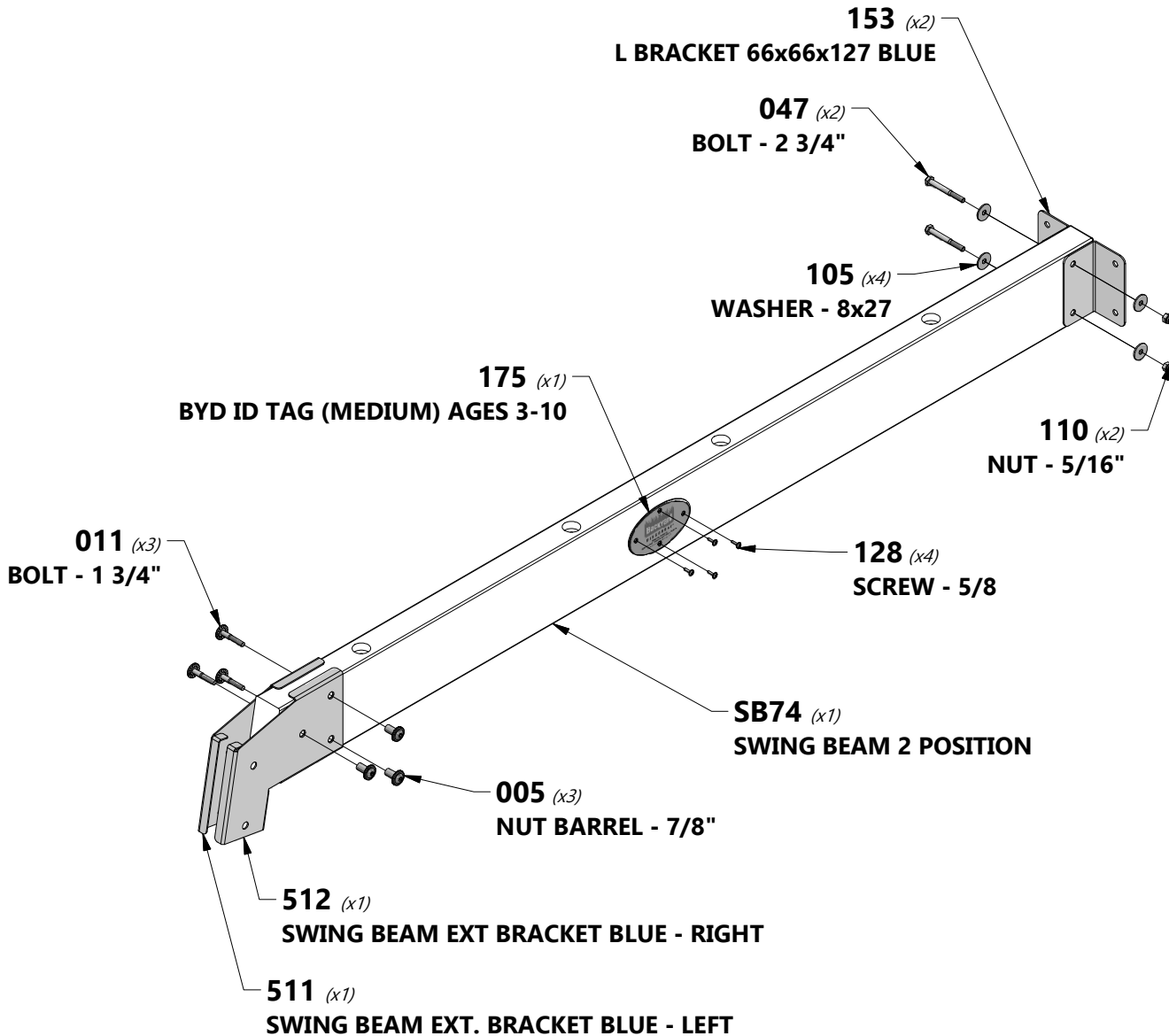
**H100011** | BOLT WH  
(3) | 5/16x1 3/4



**H100005** | NUT BARREL WH  
(3) | 5/16x7/8



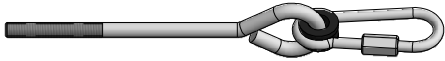
**H100128** | SCREW PWH  
(4) | 8x5/8



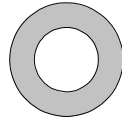


# SWING BEAM

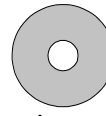
# STEP 2



**H100099 | SWING HANGER**  
(4) | 5/16x9 1/2



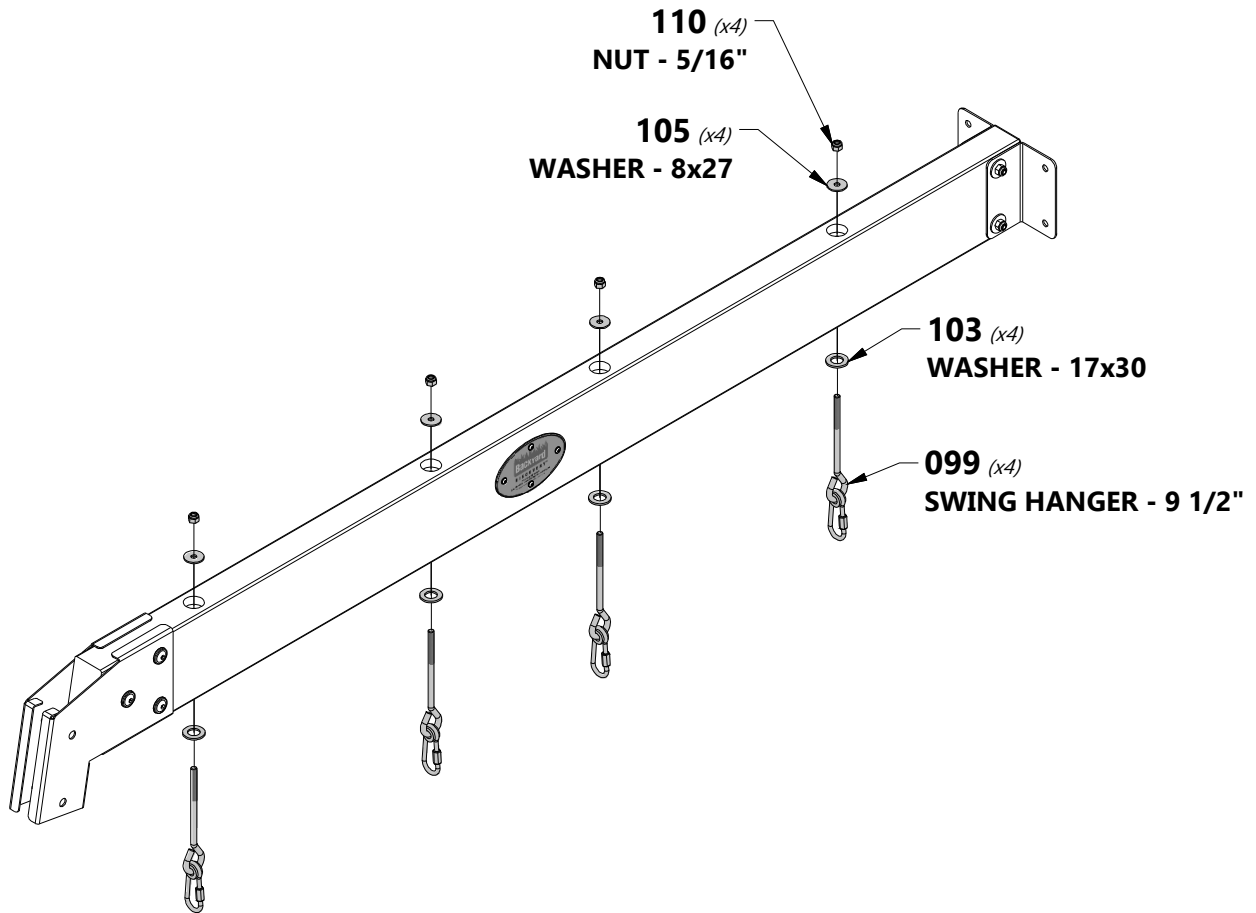
**H100103 | WASHER SAFETY**  
(4) | 17x30



**H100105 | WASHER FLAT**  
(4) | 8x27



**H100110 | NUT LOCK**  
(4) | 5/16





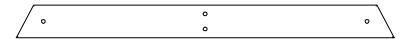
# SWING BEAM

# STEP 3



**W71** | SWING BEAM SUPPORT - W4L13292  
(1) | 2"x3 3/8"x44 1/4" (50x86x1123)

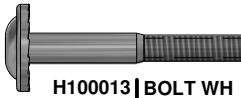
**E77** | ANGLE BRACE - W4L13293  
(2) | 1 3/8"x3 3/8"x72 7/8" (36x86x1850)



**H79** | END SUPPORT - W4L13294  
(1) | 1"x3 1/2"x39 1/2" (24x86x1000)



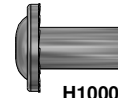
**H100021** | BOLT WH  
(1) | 5/16x4 1/2



**H100013** | BOLT WH  
(2) | 5/16x2 1/4



**H100027** | LAG SCREW WH  
(2) | 5/16x2



**H100005** | NUT BARREL WH  
(1) | 5/16x7/8



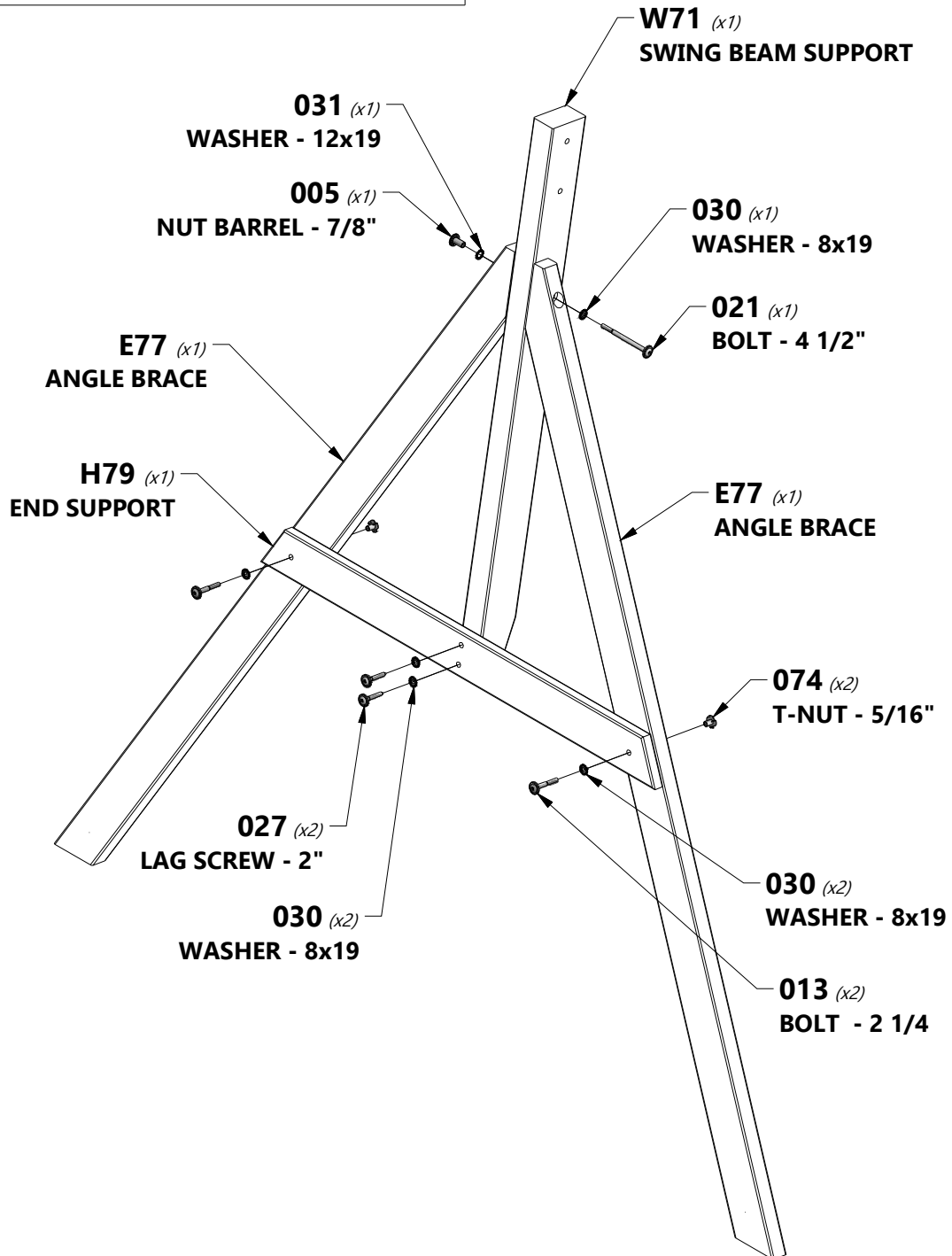
**H100031** | WASHER LOCK EXT  
(1) | 12x19



**H100030** | WASHER LOCK EXT  
(5) | 8x19



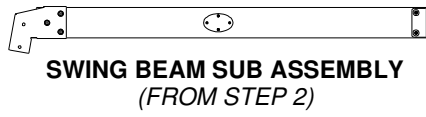
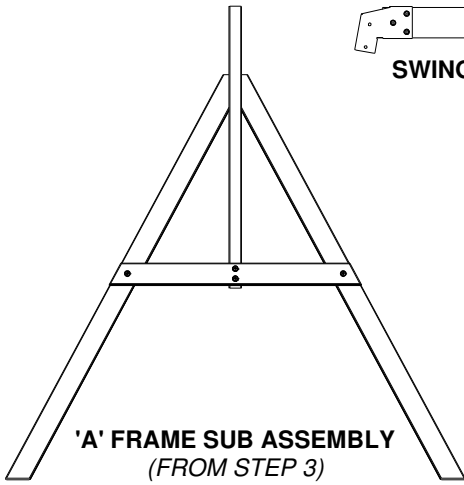
**H100074** | T-NUT  
(2) | 5/16



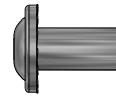


# SWING BEAM

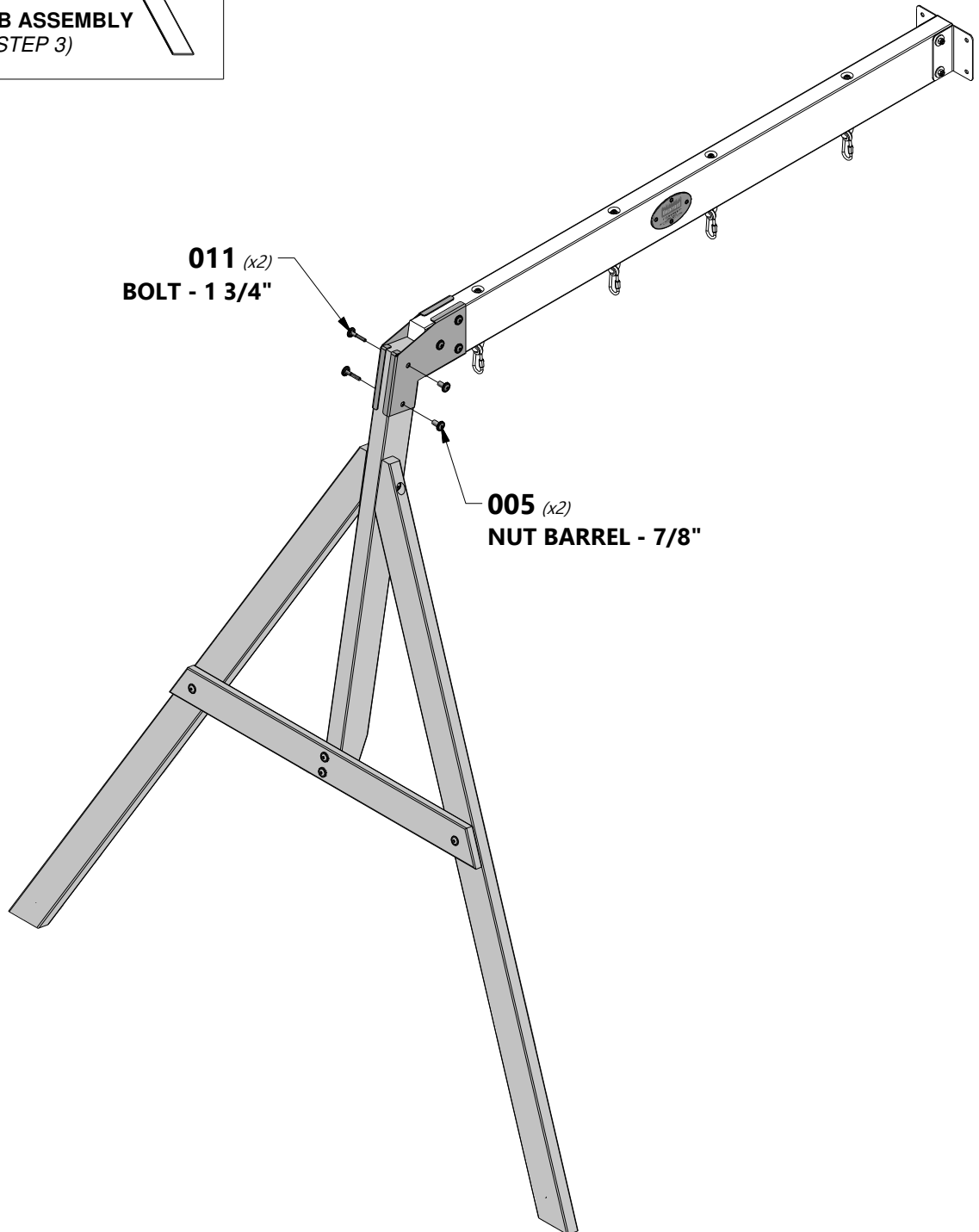
# STEP 4



**H100011** | BOLT WH  
(2) | 5/16x1 3/4



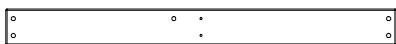
**H100005** | NUT BARREL WH  
(2) | 5/16x7/8





# FORT ASSEMBLY

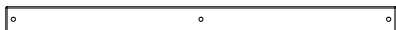
# STEP 1



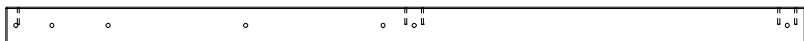
**H8** | FLOOR RAIL - W4L13295  
(1) | 1"x3 3/8"x36 5/8" (24x86x930)



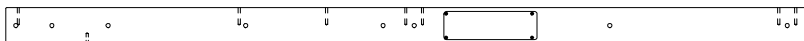
**M5** | GROUND RAIL - W4L13209  
(1) | 5/8"x3 3/8"x36 5/8" (16x86x930)



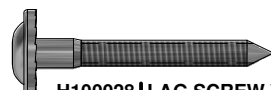
**N3** | TOP RAIL - W4L13220  
(1) | 5/8"x2 3/8"x36 5/8" (16x60x930)



**E1** | RIGHT FRONT UPRIGHT - W4L15660  
(1) | 1 3/8"x3 3/8"x75" (36x86x1905)



**E2** | POST ASSEMBLY - W2A02839  
(1) | 1 7/16"x3 3/8"x75" (36x86x1905)



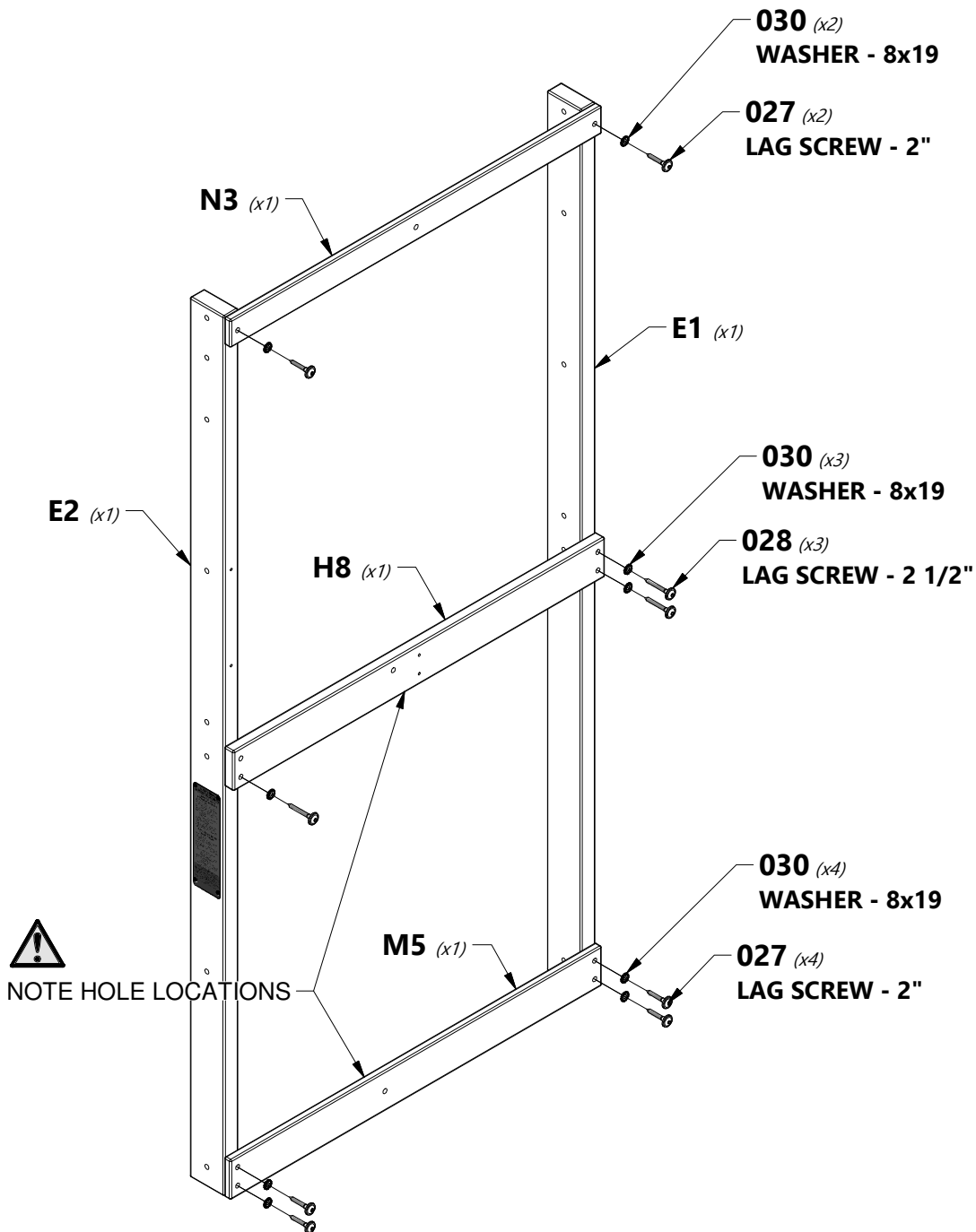
**H100028** | LAG SCREW WH  
(3) | 5/16x2 1/2



**H100027** | LAG SCREW WH  
(6) | 5/16x2



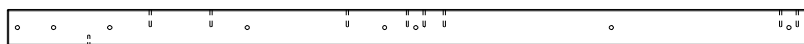
**H100030** | WASHER LOCK  
(9) | EXT  
8x19



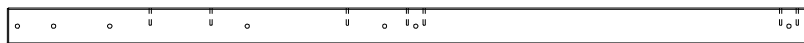


# FORT ASSEMBLY

# STEP 2



**E3** | LEFT BACK UPRIGHT - W4L13210  
(1) | 1 3/8"x3 3/8"x75" (36x86x1905)



**E4** | RIGHT BACK UPRIGHT - W4L13211  
(1) | 1 3/8"x3 3/8"x75" (36x86x1905)



**M1** | GROUND RAIL - W4L13215  
(1) | 5/8"x3 3/8"x36 5/8" (16x86x930)



**H1** | FLOOR RAIL - W4L13212  
(1) | 1"x3 3/8"x36 5/8" (24x86x930)



**N2** | SIDE RAIL - W4L13218  
(2) | 5/8"x2 3/8"x36 5/8" (16x60x930)



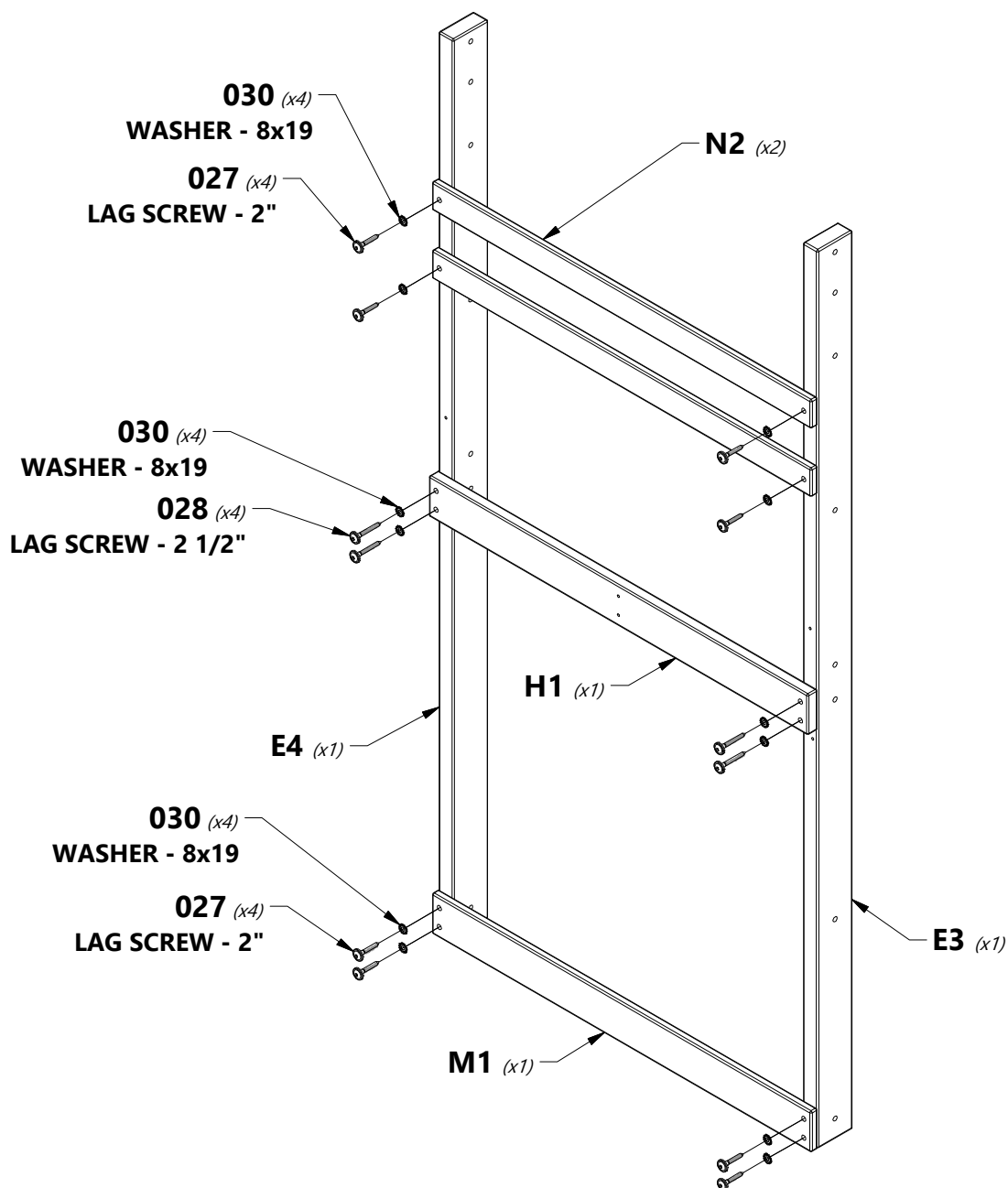
**H100028** | LAG SCREW WH  
(4) | 5/16x2 1/2



**H100027** | LAG SCREW WH  
(8) | 5/16x2



**H100030** | WASHER LOCK  
(12) | EXT  
8x19





# FORT ASSEMBLY

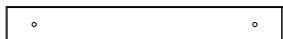
## STEP 3



**M3** | ANGLE GROUND RAIL - W4L13217  
(1) | 5/8"x3 3/8"x65 5/8" (16x86x1666)



**N1** | SIDE RAIL - W4L13214  
(1) | 5/8"x2 3/8"x24 1/8" (16x60x612)



**H2** | FLOOR RAIL - W4L13213  
(1) | 1"x3 3/8"x26" (24x86x660)



**H4** | FLOOR SUPPORT - W4L13222  
(2) | 1"x3 3/8"x3 3/8" (24x86x86)



**H100017** | BOLT WH  
(2) | 5/16x3 1/4



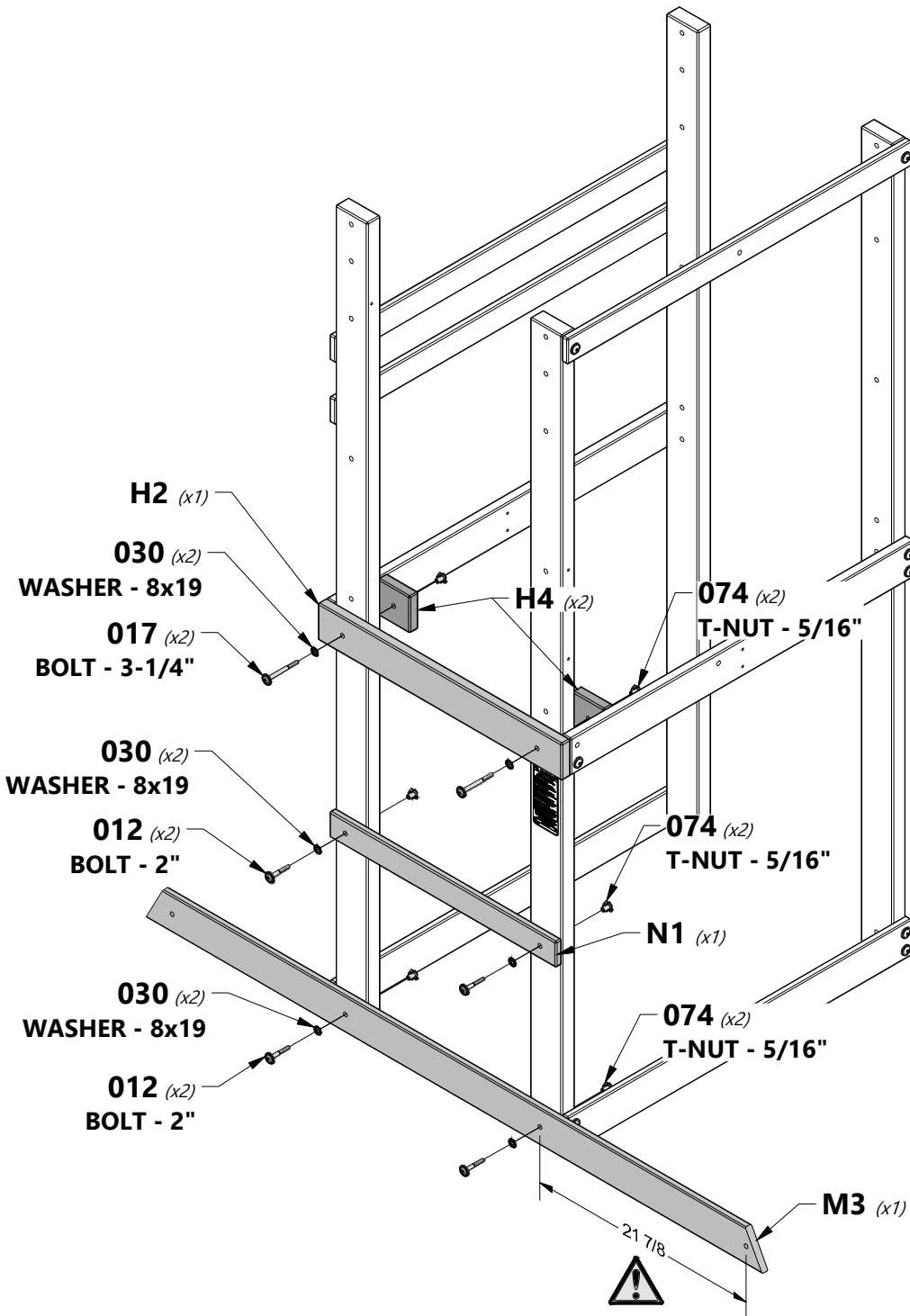
**H100074** | T-NUT  
(6) | 5/16



**H100012** | BOLT WH  
(4) | 5/16x2



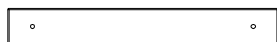
**H100030** | WASHER LOCK  
(6) | EXT  
8x19



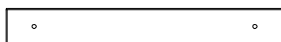


# FORT ASSEMBLY

## STEP 4



**M2** | GROUND RAIL - W4L13216  
(1) | 5/8"x3 3/8"x25 3/8" (16x86x644)



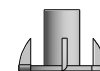
**H2** | FLOOR RAIL - W4L13213  
(1) | 1"x3 3/8"x26" (24x86x660)



**H4** | FLOOR SUPPORT - W4L13222  
(2) | 1"x3 3/8"x3 3/8" (24x86x86)



**H100017** | BOLT WH  
(2) | 5/16x3 1/4



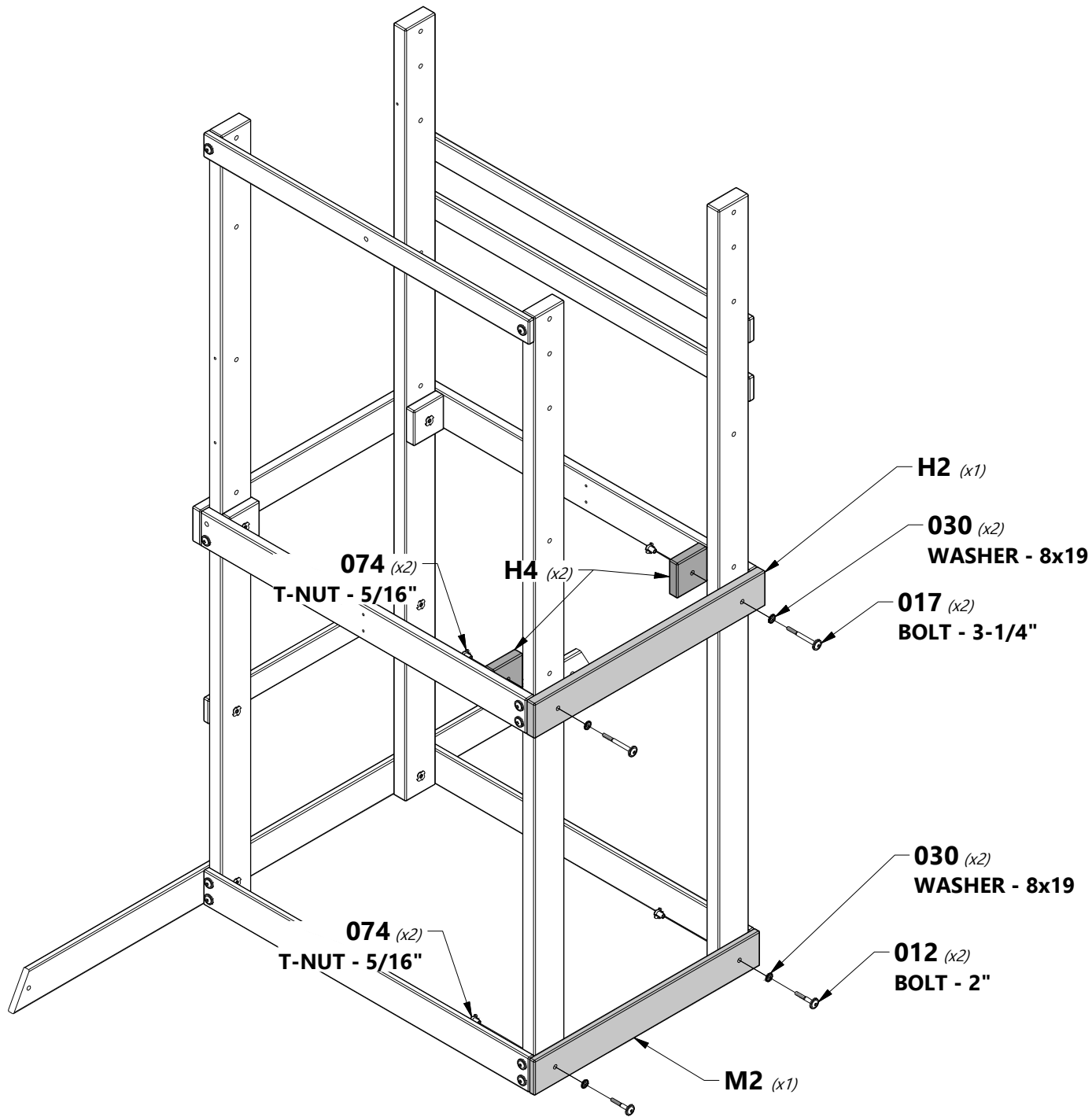
**H100074** | T-NUT  
(4) | 5/16



**H100012** | BOLT WH  
(2) | 5/16x2



**H100030** | WASHER LOCK  
(4) | EXT  
8x19





**H3** | FLOOR RAIL - W4L13221  
(1) | 1"x3 3/8"x24 1/8" (24x86x612)



**T1** | FLOOR SUPPORT - W4L13289  
(2) | 15/16"x1 5/16"x17 1/4" (24x34x438)



**A100314** | "A" REVISION TAG  
(1)



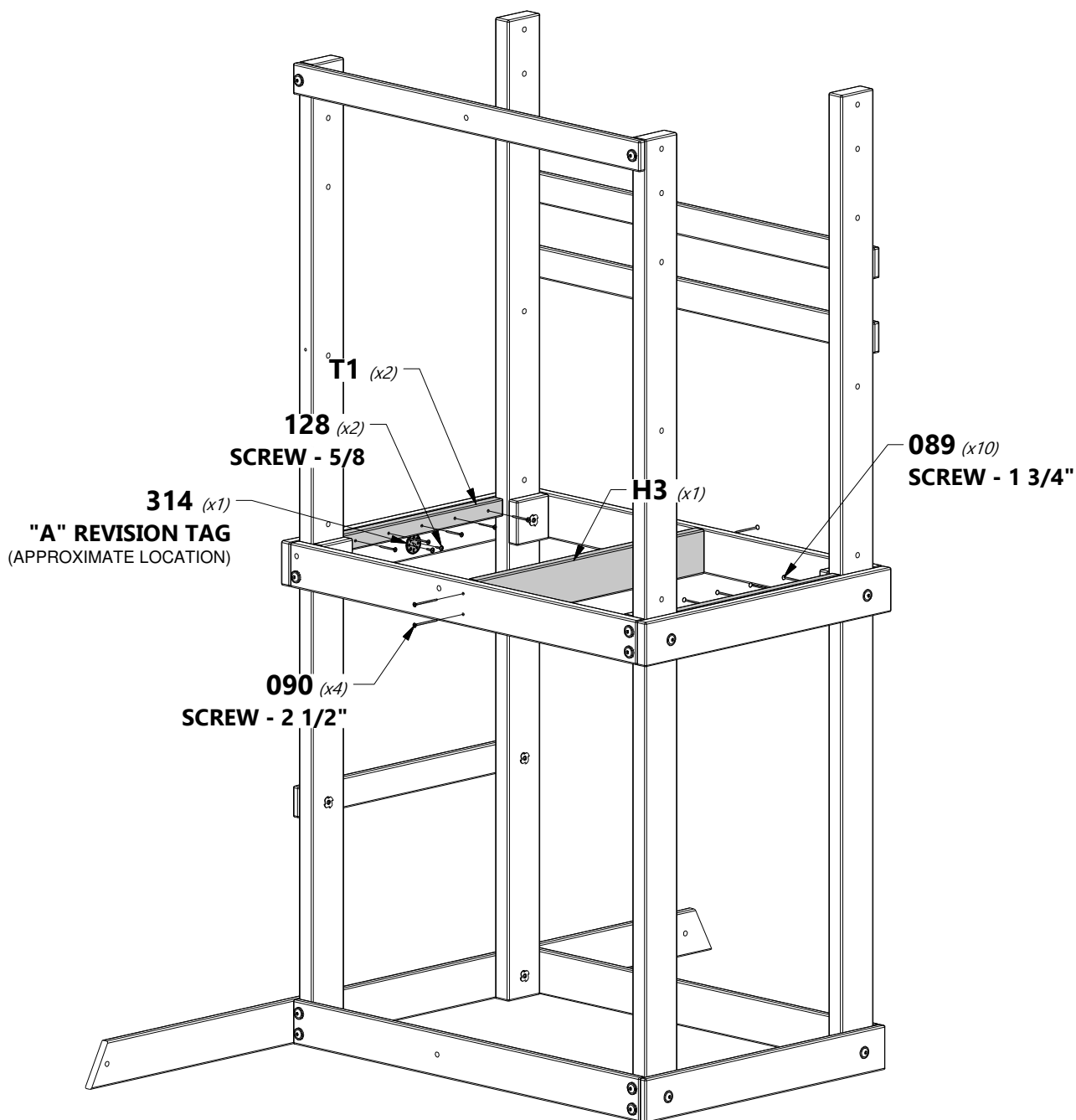
**H100090** | SCREW PFH  
(4) | 8x2 1/2"

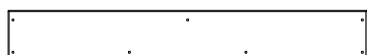


**H100089** | SCREW PFH  
(10) | 8x1 3/4"

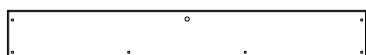


**H100128** | SCREW PWH  
(2) | 8x5/8"

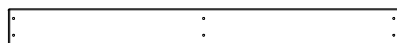




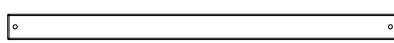
**L1 | FLOOR BOARD - W4L13223**  
(1) | 5/8"x4 3/8"x33 3/4" (16x112x856)



**L2 | FLOOR BOARD - W4L13225**  
(1) | 5/8"x4 3/8"x33 3/4" (16x112x856)



**M4 | FLOOR BOARD - W4L13224**  
(5) | 5/8"x3 3/8"x36 5/8" (16x86x930)



**N2 | SIDE RAIL - W4L13218**  
(1) | 5/8"x2 3/8"x36 5/8" (16x60x930)



**H100027 | LAG SCREW WH**  
(2) | 5/16x2



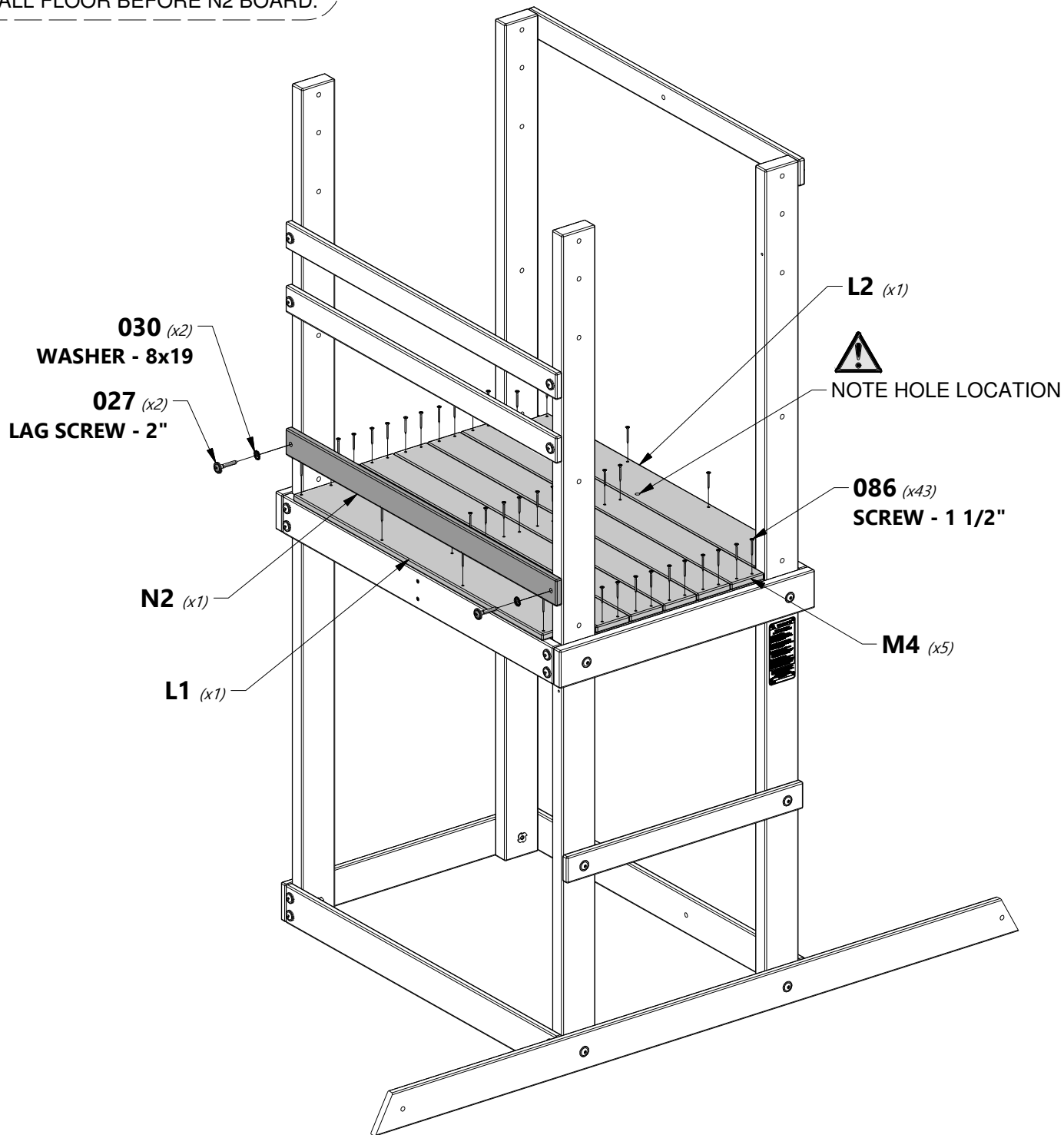
**H100030 | WASHER LOCK  
EXT**  
8x19



**H100086 | SCREW PFH**  
(43) | 8x1 1/2



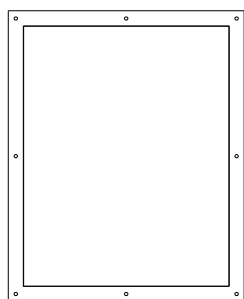
**NOTE:**  
INSTALL FLOOR BEFORE N2 BOARD.



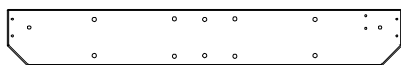


# FORT ASSEMBLY

## STEP 7



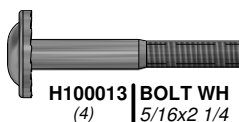
**A6P00401** | MESH PANEL  
(1)



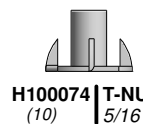
**G2** | TOP RAIL - W4L13228  
(1) | 1"x5 1/4"x37" (24x134x940)



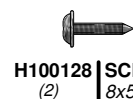
**N1** | SIDE RAIL - W4L13214  
(3) | 5/8"x2 3/8"x24 1/8" (16x60x612)



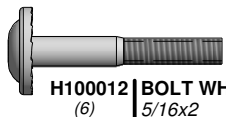
**H100013** | BOLT WH  
(4) | 5/16x2 1/4



**H100074** | T-NUT  
(10) | 5/16



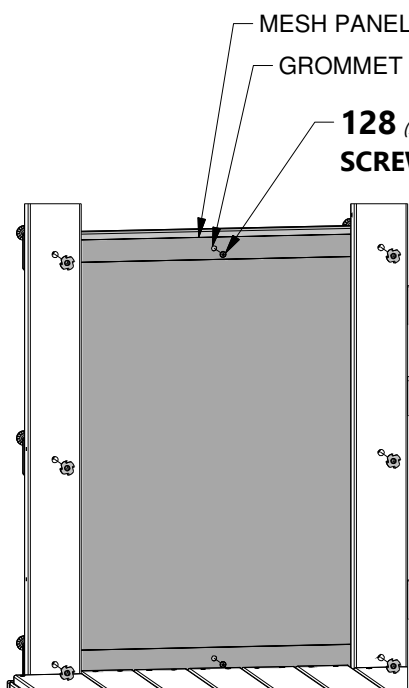
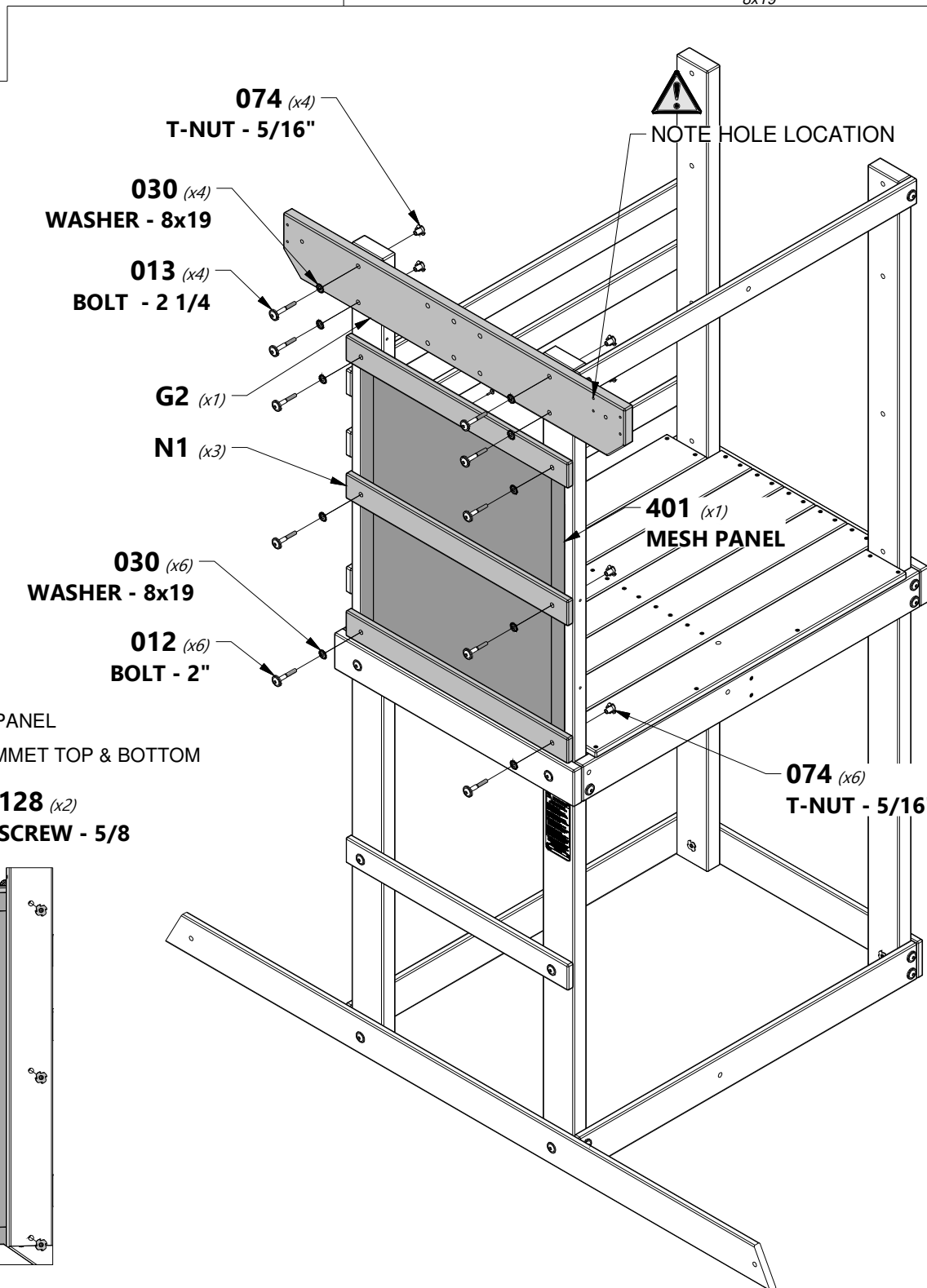
**H100128** | SCREW PWH  
(2) | 8x5/8



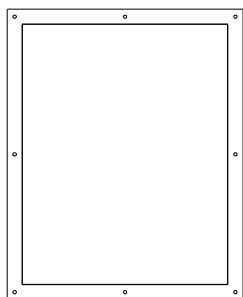
**H100012** | BOLT WH  
(6) | 5/16x2



**H100030** | WASHER LOCK  
(10) | EXT  
8x19



**INSIDE VIEW**



**A6P00401**  
(1) MESH PANEL



**G1** TOP RAIL - W4L13219  
(1) 1"x5 1/4"x37" (24x134x940)



**N1** SIDE RAIL - W4L13214  
(3) 5/8"x2 3/8"x24 1/8" (16x60x612)



**H100013** BOLT WH  
(4) 5/16x2 1/4



**H100074** T-NUT  
(10) 5/16



**H100128** SCREW PWH  
(2) 8x5/8



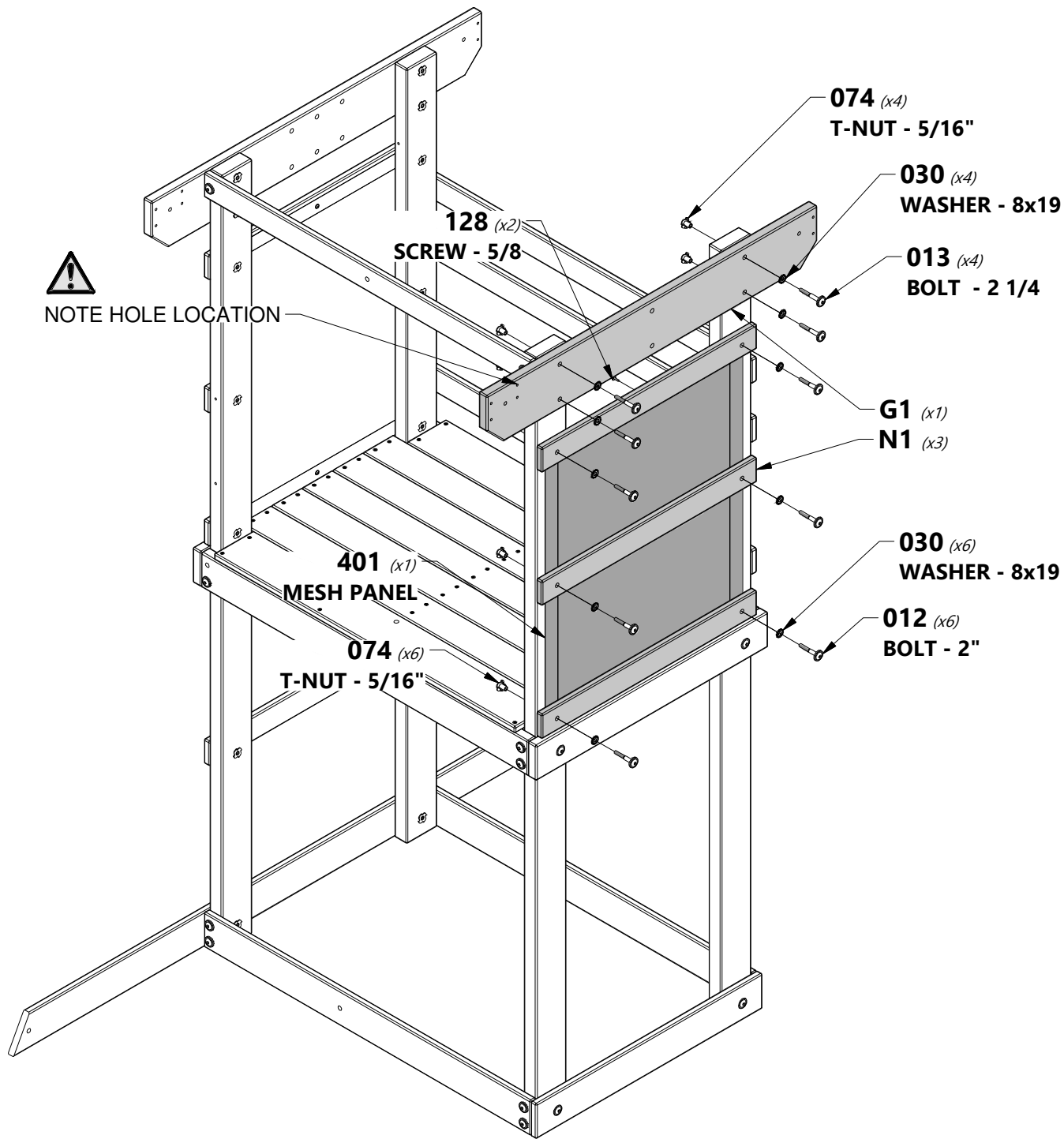
**H100012** BOLT WH  
(6) 5/16x2



**H100030** WASHER LOCK  
(10) EXT  
8x19



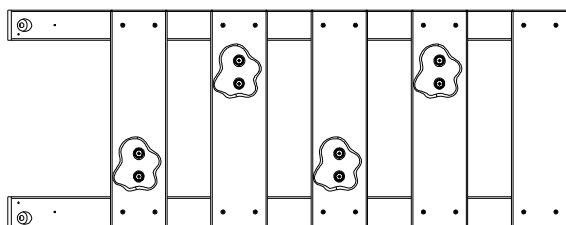
NOTE HOLE LOCATION



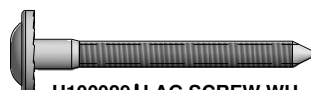


# FORT ASSEMBLY

## STEP 9



(1) LADDER ASSEMBLY



H100029 | LAG SCREW WH  
(1) | 5/16x3



H100027 | LAG SCREW WH  
(1) | 5/16x2



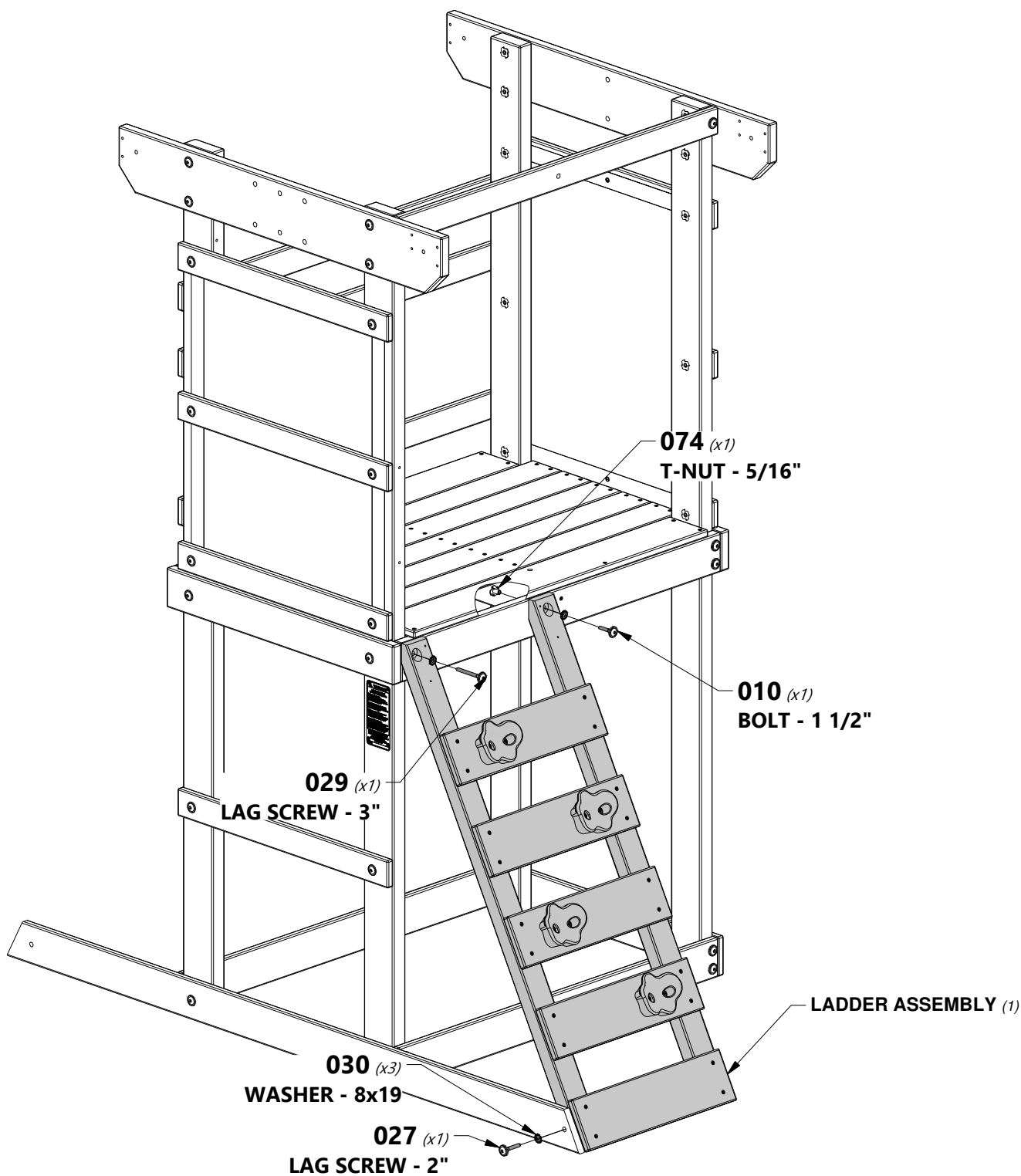
H100010 | BOLT WH  
(1) | 5/16x1-1/2



H100030 | WASHER LOCK  
(3) | EXT  
8x19



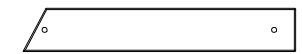
H100074 | T-NUT  
(1) | 5/16





# FORT ASSEMBLY

## STEP 10



**M6 | GROUND RAIL - W4L13296**  
(1) | 5/8"x3 3/8"x21 3/8" (16x86x542)



**L5 | TOP LADDER RUNG - W4L13287**  
(1) | 5/8"x4 3/8"x16 7/8" (16x112x430)



**A4M01048 | L BRACKET**  
(1) | 2.5x38x55x55



**H100027 | LAG SCREW WH**  
(1) | 5/16x2



**H100115 | BOLT WH**  
(2) | 5/16x1/2



**H100004 | NUT BARREL WH**  
(2) | 5/16 x 5/8



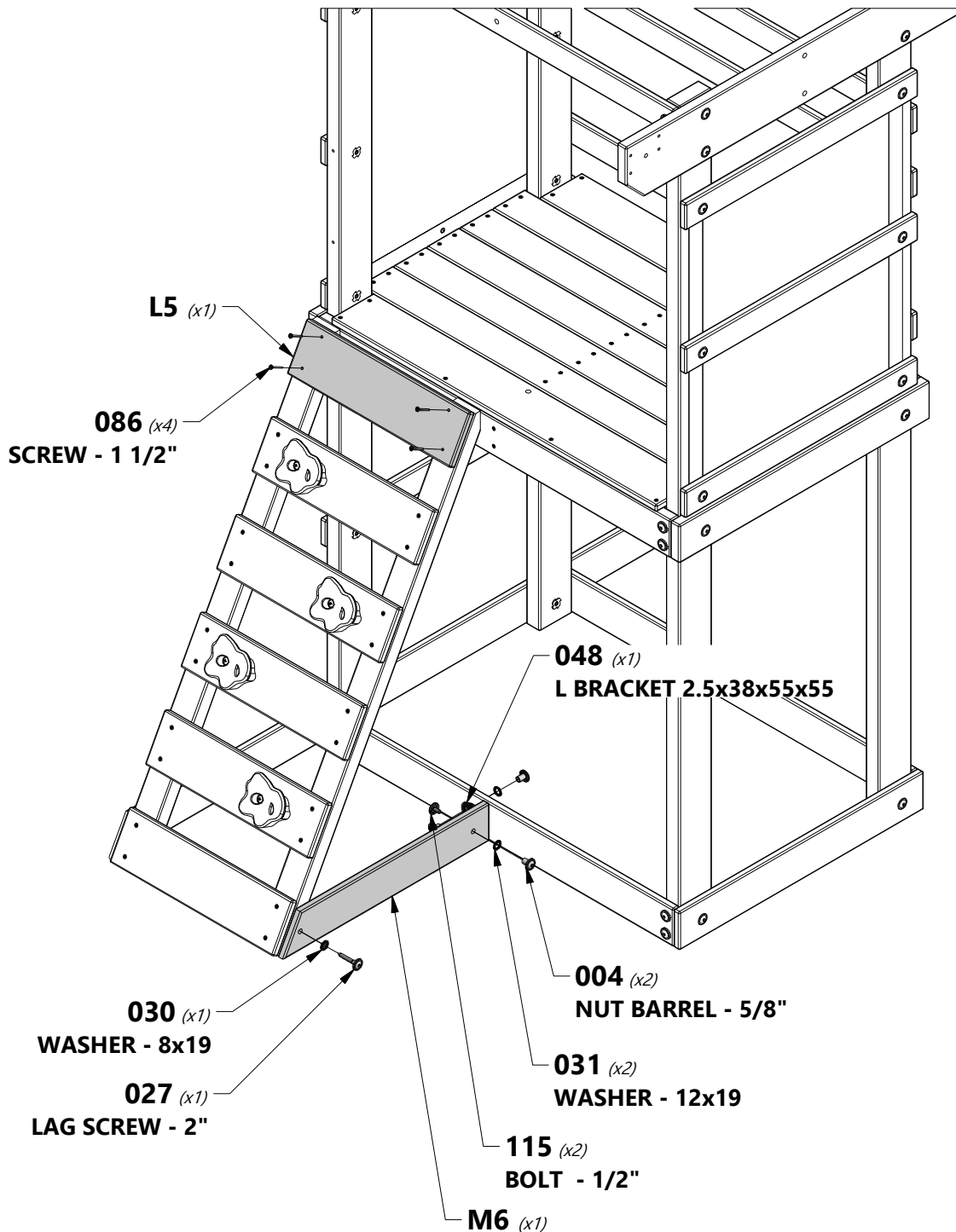
**H100030 | WASHER LOCK**  
(1) | EXT  
8x19



**H100031 | WASHER LOCK**  
(2) | EXT  
12x19



**H100086 | SCREW PFH**  
(4) | 8x1 1/2





**N6** | PICKET - W4L13281  
(4) | 5/8"x2 3/8"x15 1/8" (16x60x385)



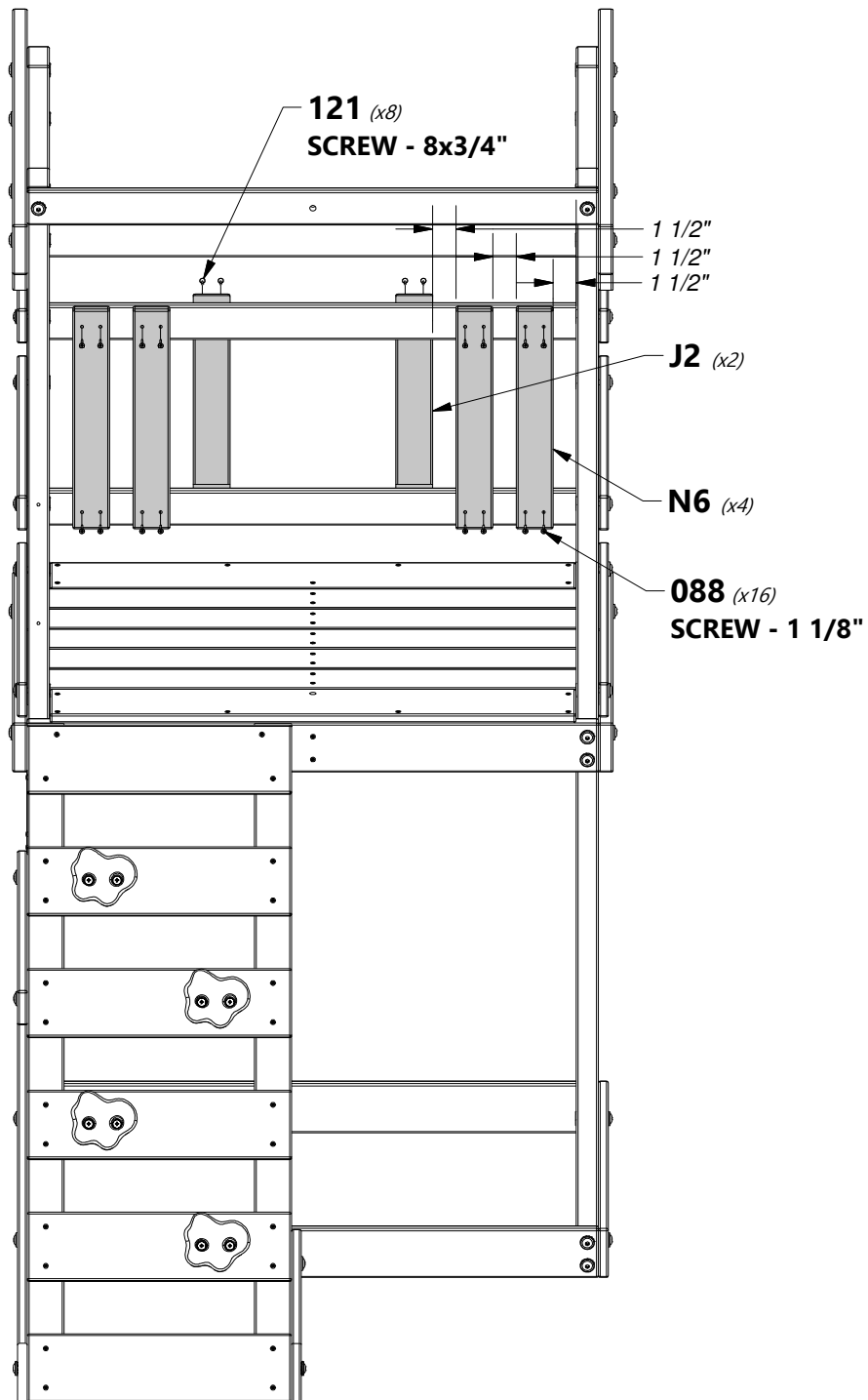
**J2** | PICKET - W4L13282  
(2) | 1"x2 3/8"x15 1/8" (24x60x385)

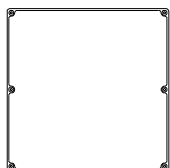


**H100088** | SCREW PFH  
(16) | 8x1 1/8"



**H100121** | SCREW PFH  
(8) | 8x3/4"

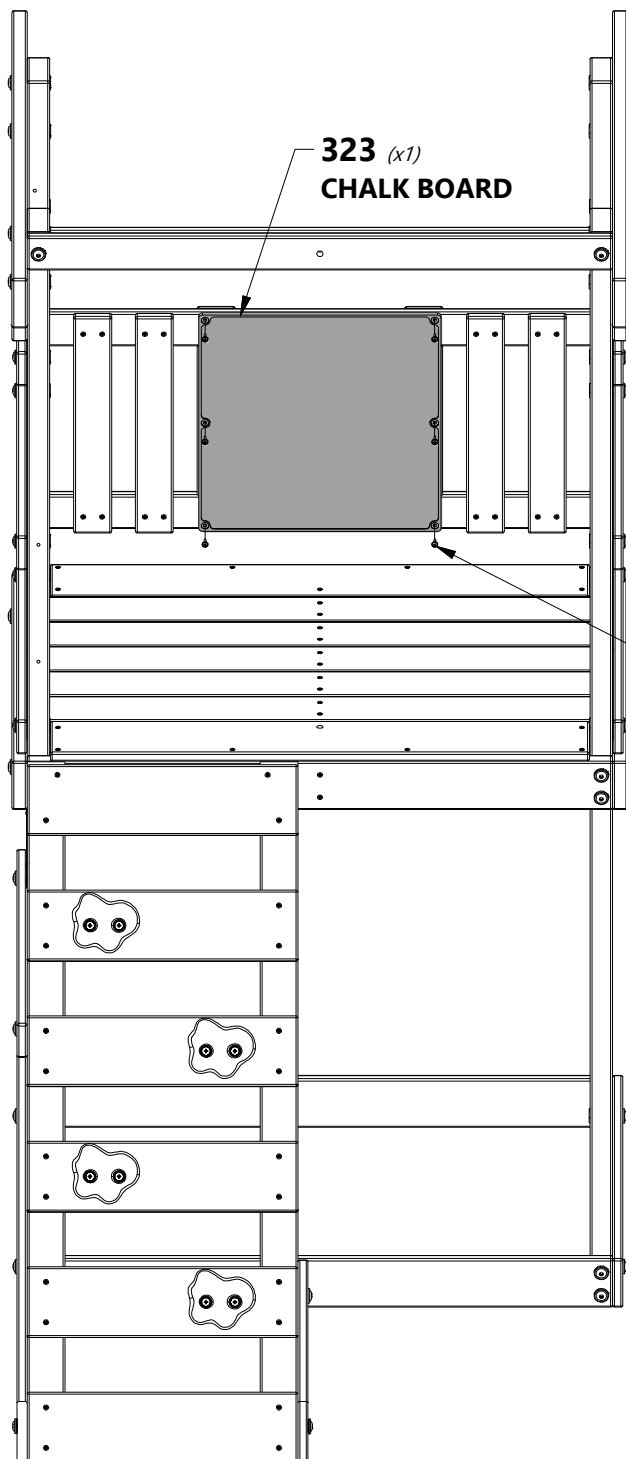




**A6P00323** | CHALK BOARD  
*(1)*



**H100392** | SCREW PWH BLK  
*(6)* | 8x3/4





# FORT ASSEMBLY

# STEP 13



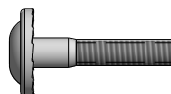
**J1** | UPRIGHT - W4L13226  
(1) | 1"x2"x36" (24x52x914)



**A4M01048** | L BRACKET  
(1) | 2.5x38x55x55



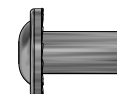
**H100145** | LAG SCREW WH  
(1) | 1/4x1 1/2



**H100010** | BOLT WH  
(1) | 5/16x1-1/2



**H100115** | BOLT WH  
(1) | 5/16x1/2



**H100005** | NUT BARREL WH  
(1) | 5/16x7/8



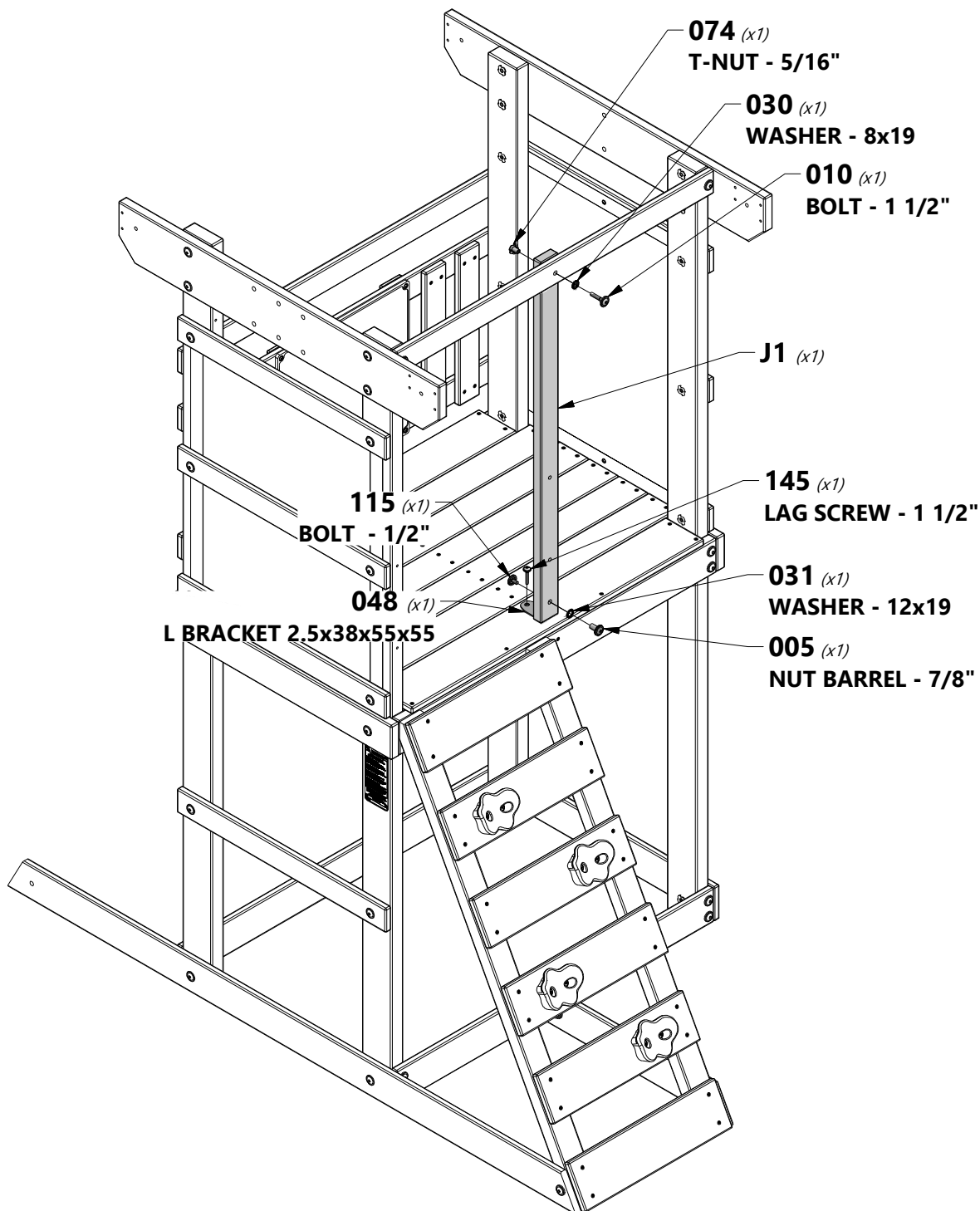
**H100030** | WASHER LOCK  
(1) | EXT  
8x19



**H100031** | WASHER LOCK  
(1) | EXT  
12x19



**H100074** | T-NUT  
(1) | 5/16





**H6** | ANGLE BRACE - W4L13288  
(1) | 15/16"x3 3/8"x40 1/16" (24x86x1018)



**H100010** | BOLT WH  
(1) | 5/16x1-1/2



**H100649** | LAG SCREW WH  
(1) | 1/4x2 1/2



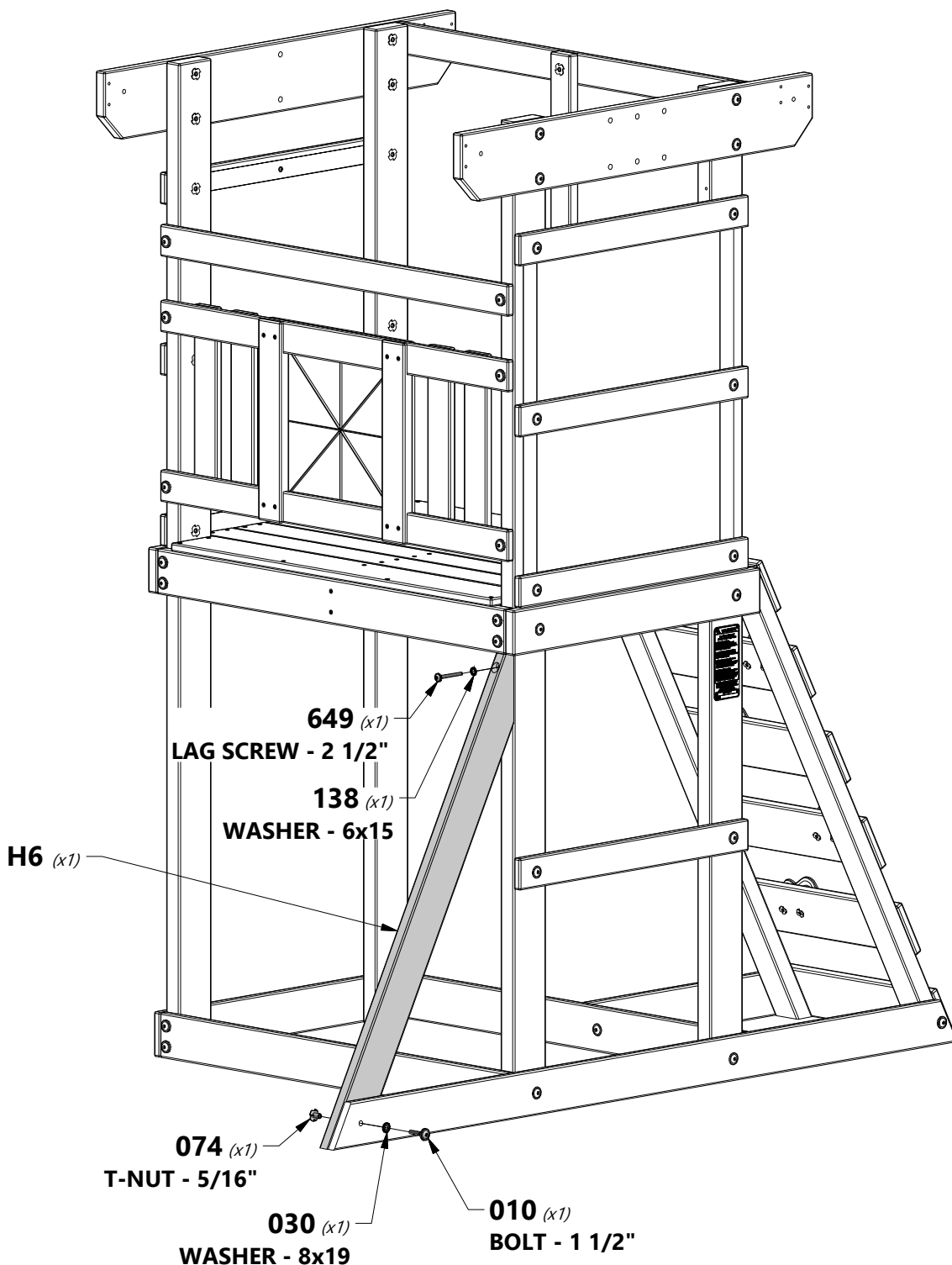
**H100030** | WASHER LOCK  
(1) | EXT  
8x19



**H100074** | T-NUT  
(1) | 5/16

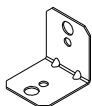


**H100138** | WASHER LOCK  
(1) | EXT  
6x15

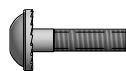




**H5** | TOP RAIL - W4L13227  
(2) 1"x3 3/8"x36 5/8" (24x86x930)



**A4M01110** | 90° L-BRACKET - BLK  
(4)



**H100137** | BOLT WH  
(4) 1/4x1



**H100490** | BOLT WH  
(4) 1/4x5/8



**H100136** | NUT BARREL WH  
(4) 1/4x5/8



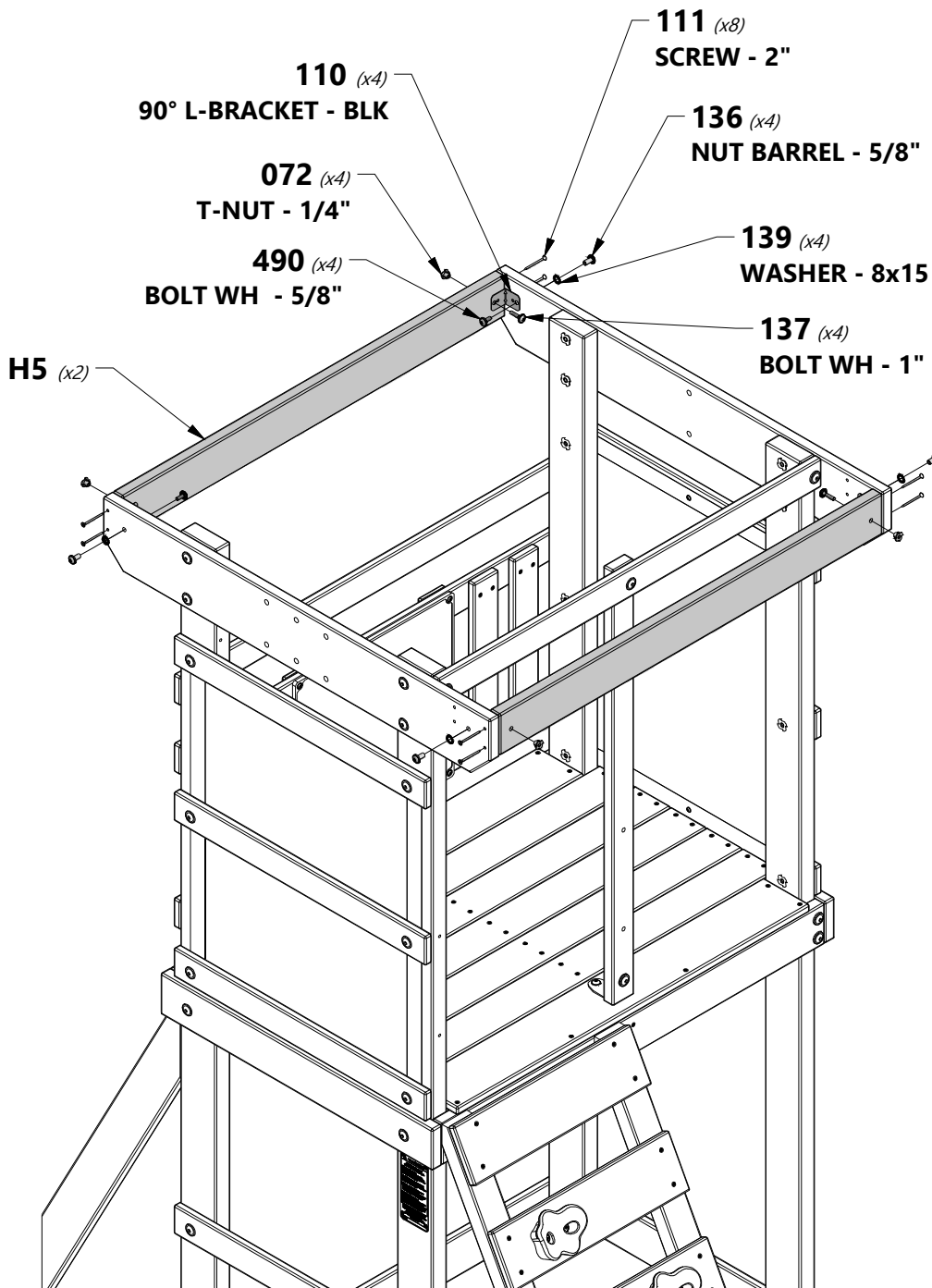
**H100111** | SCREW PFH  
(8) 8x2

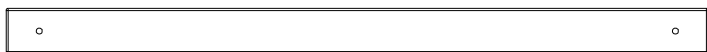


**H100139** | WASHER LOCK  
(4) EXT  
8x15



**H100072** | T-NUT  
(4) 1/4





**N5 | TOP RAIL - W4L13280**  
(1) | 5/8"x2 3/8"x36 5/8" (16x60x930)



**N4 | TOP RAIL - W4L13229**  
(2) | 5/8"x2 3/8"x21 1/8" (16x60x538)



**A4M01110 | 90° L-BRACKET - BLK**  
(2)



**H100010 | BOLT WH**  
(4) | 5/16x1-1/2



**H100030 | WASHER LOCK EXT**  
(4) | 8x19



**H100074 | T-NUT**  
(4) | 5/16



**H100490 | BOLT WH**  
(2) | 1/4x5/8



**H100141 | BOLT WH**  
(2) | 1/4 x 1/2"



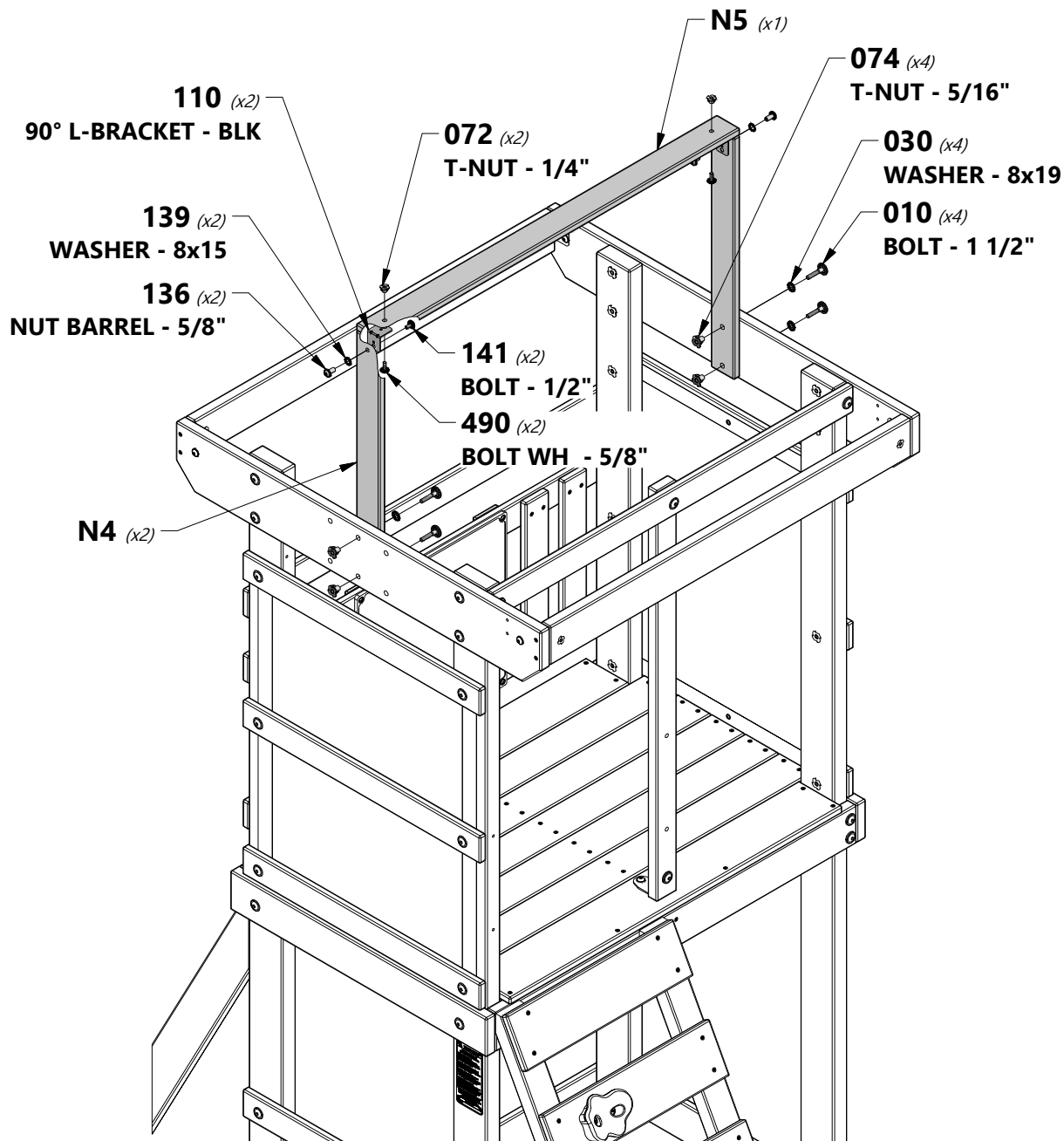
**H100136 | NUT BARREL WH**  
(2) | 1/4x5/8



**H100139 | WASHER LOCK EXT**  
(2) | 8x15



**H100072 | T-NUT**  
(2) | 1/4





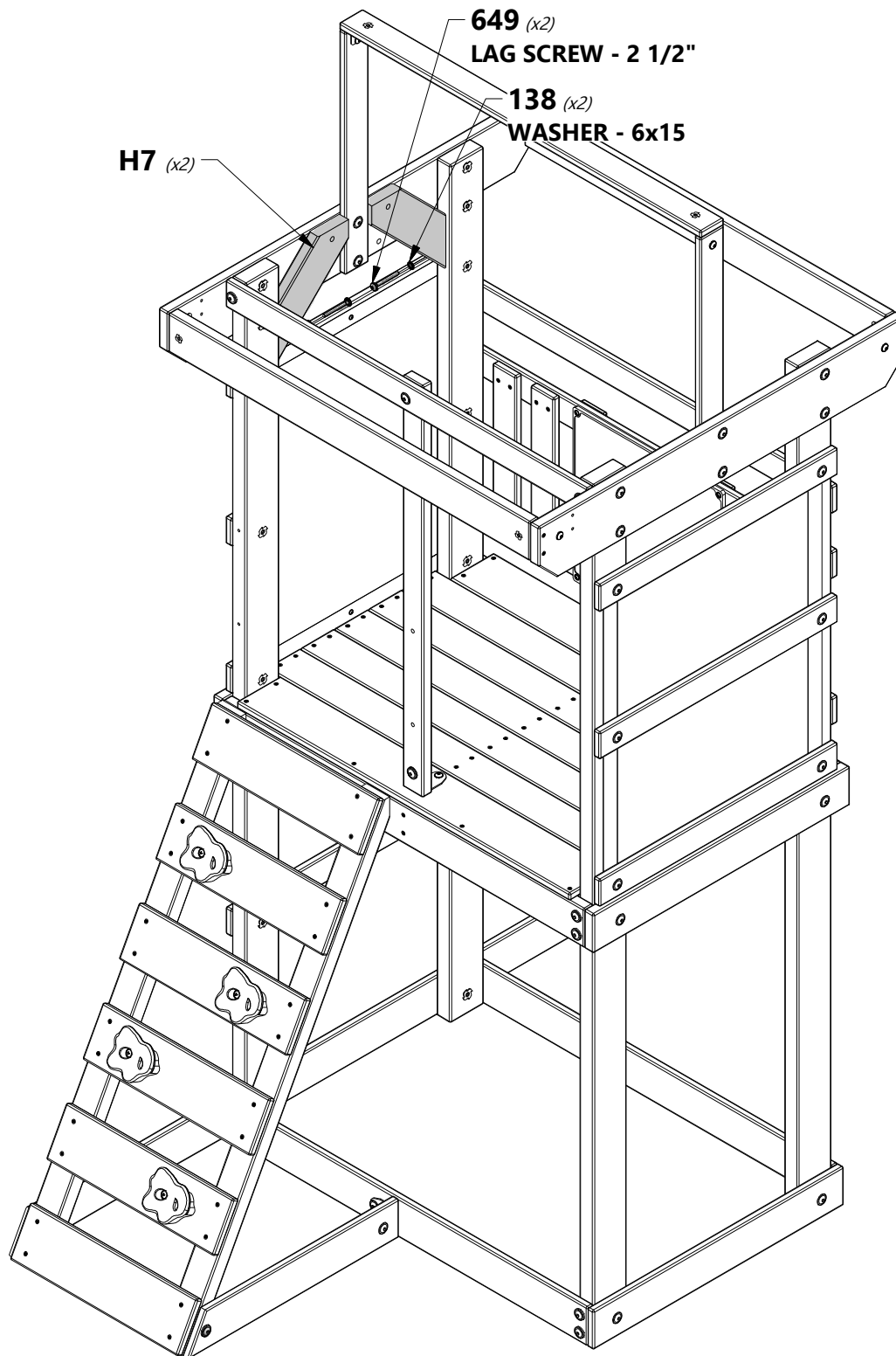
**H7** | ANGLE BRACE - W4L13290  
(2) | 15/16"x3 3/8"x11 13/16" (24x86x300)

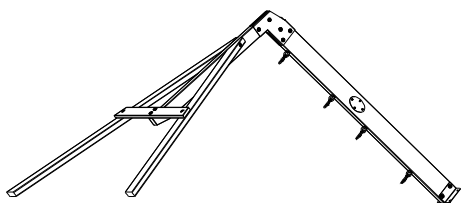


**H100649** | LAG SCREW WH  
(2) | 1/4x2 1/2



**H100138** | WASHER LOCK  
(2) | EXT  
6x15





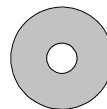
(1) SWING BEAM ASSEMBLY



H100044 | BOLT HEX  
(2) | 5/16x2



H100042 | BOLT HEX  
(2) | 5/16x1 1/4



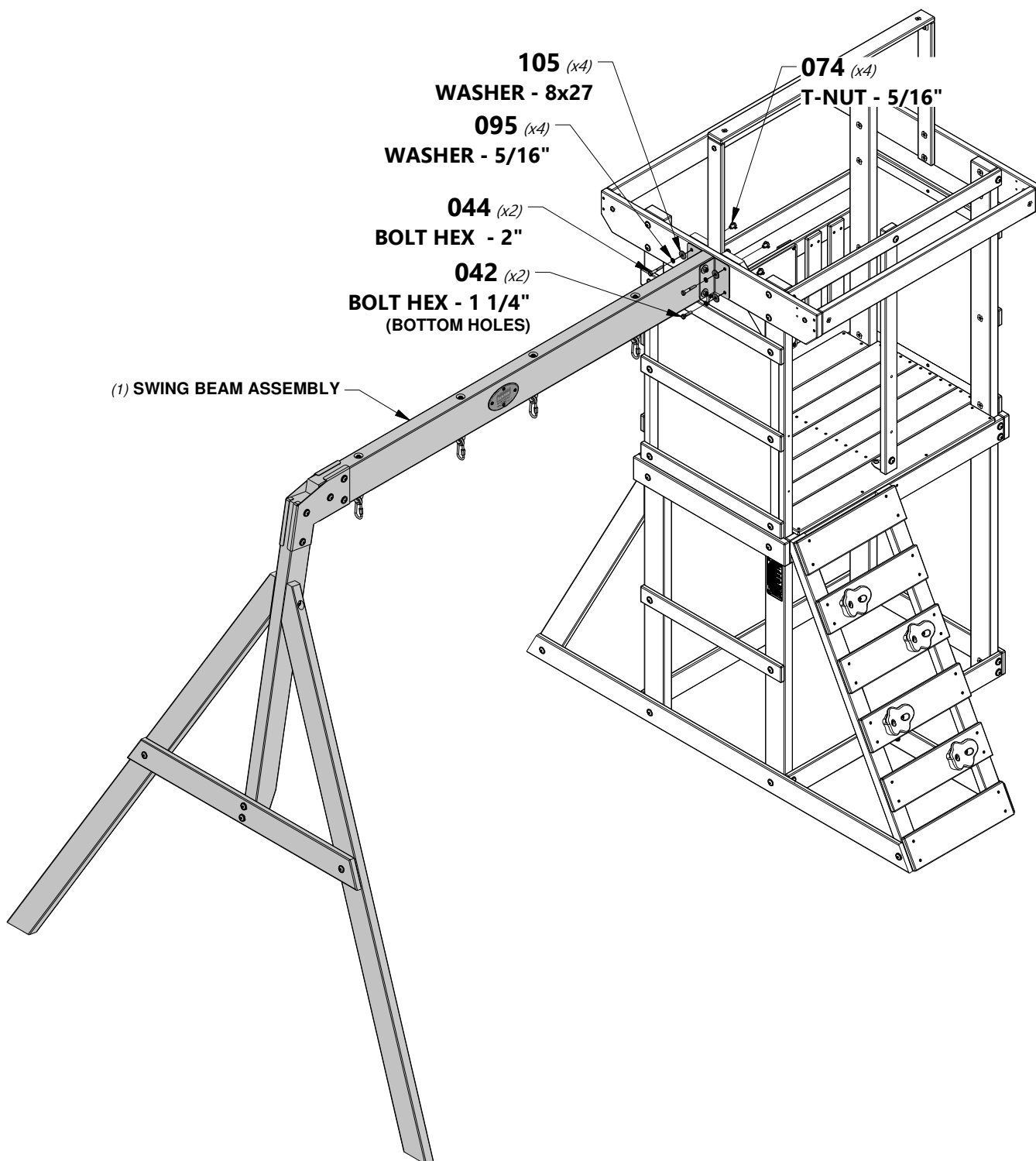
H100105 | WASHER FLAT  
(4) | 8x27

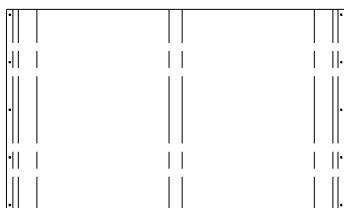


H100095 | WASHER SPLIT  
(4) | 5/16



H100074 | T-NUT  
(4) | 5/16

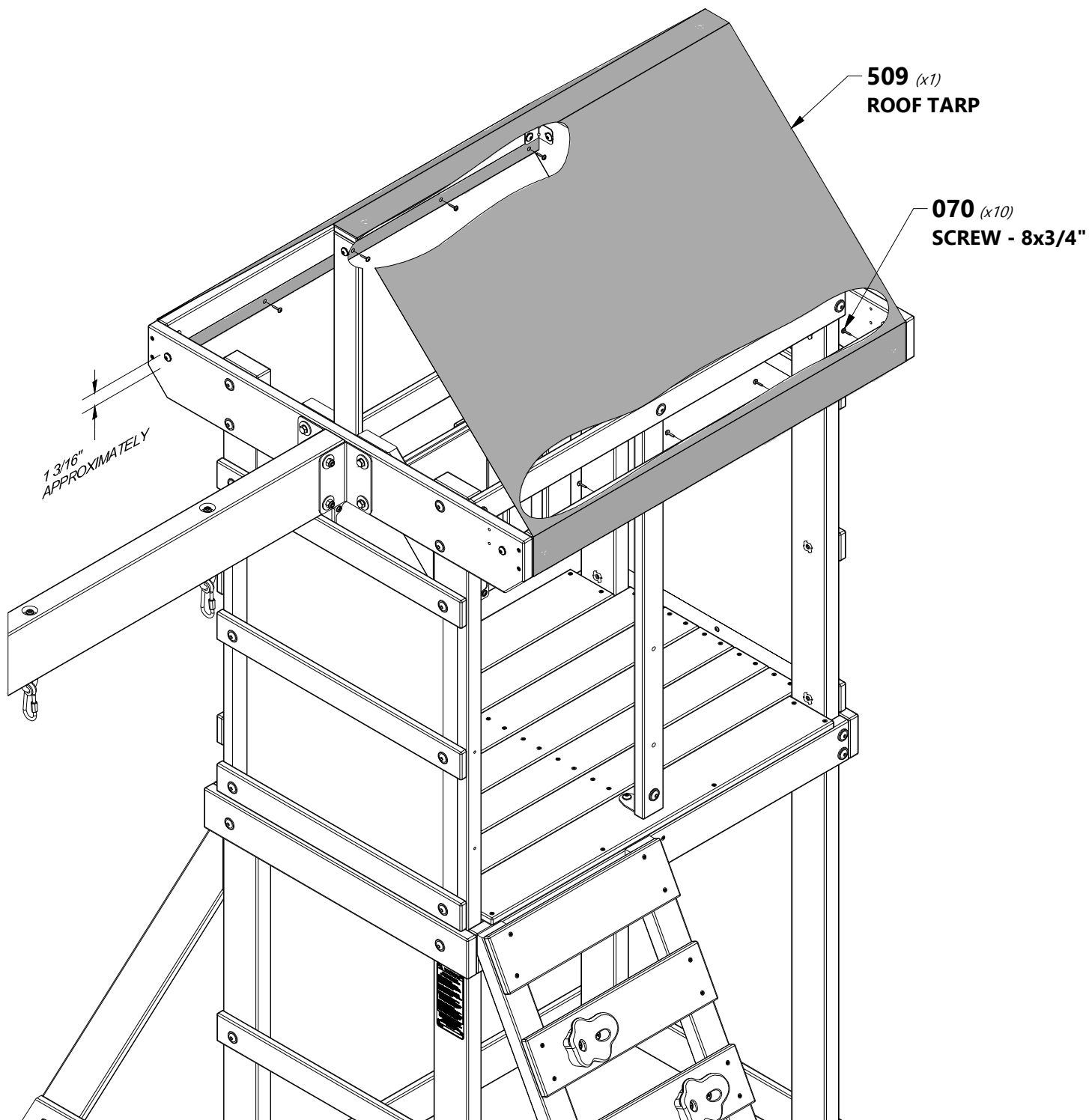


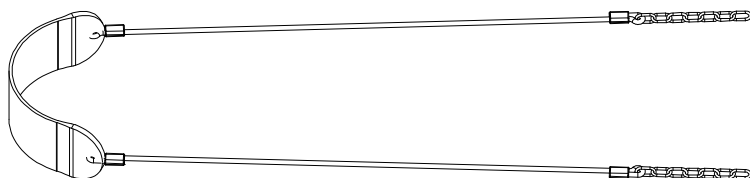


**A6P00509** | ROOF TARP  
*(1)*

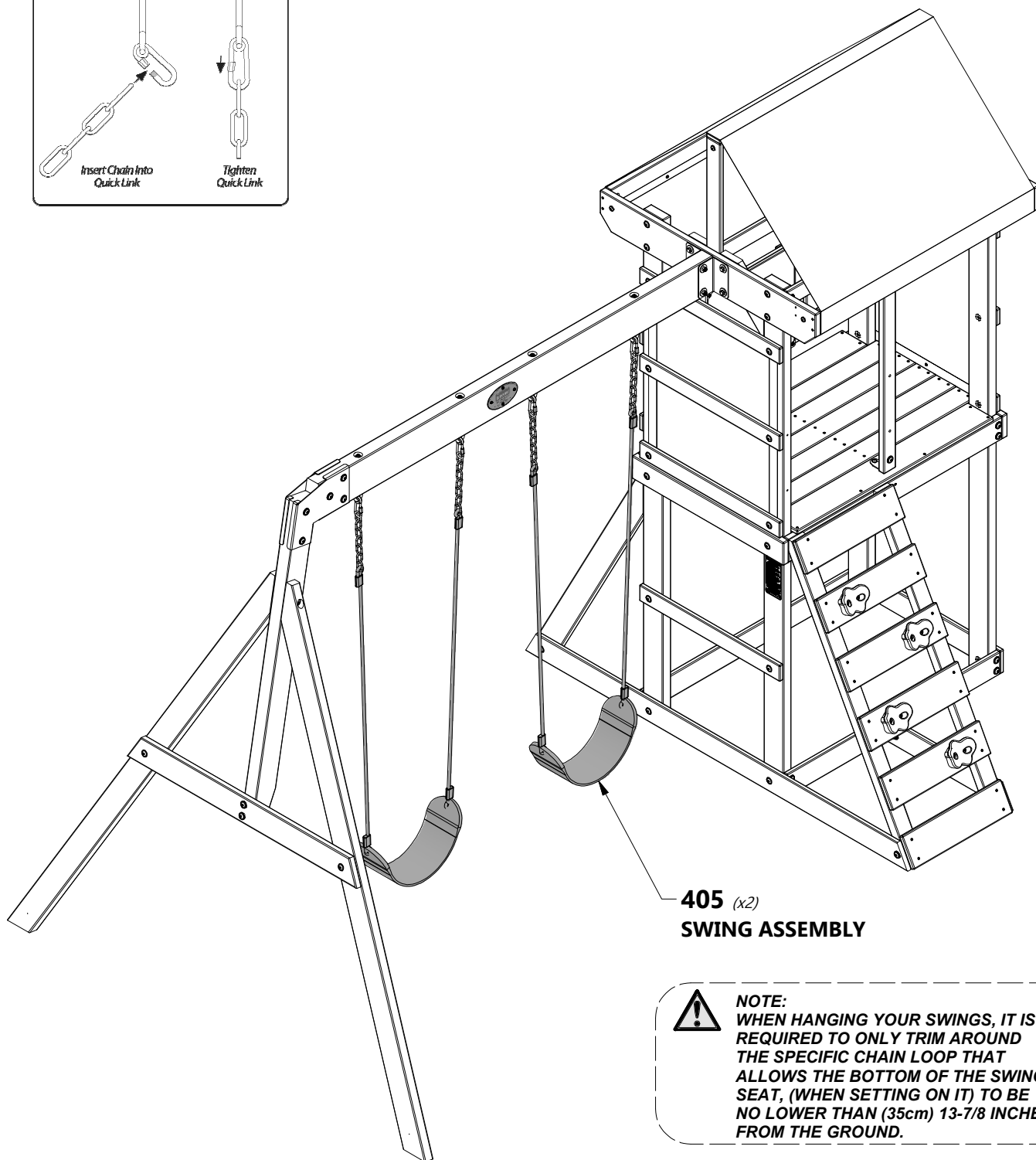
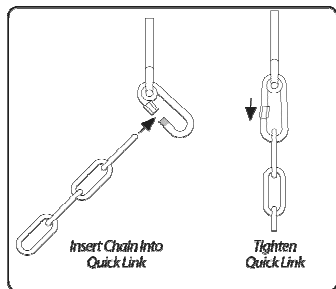


**H100070** | SCREW PWH  
*(10)* | 8x3/4





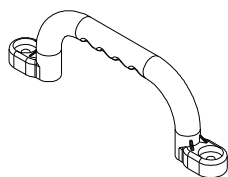
A6P00405 | ROPE-CHAIN B /  
(2) SEAT B



405 (x2)  
SWING ASSEMBLY



**NOTE:** WHEN HANGING YOUR SWINGS, IT IS REQUIRED TO ONLY TRIM AROUND THE SPECIFIC CHAIN LOOP THAT ALLOWS THE BOTTOM OF THE SWING SEAT, (WHEN SETTING ON IT) TO BE NO LOWER THAN (35cm) 13-7/8 INCHES FROM THE GROUND.



**A6P00314** | **HAND GRIP**  
**(2)** | **BLUE PLASTIC**



**H100145** | **LAG SCREW WH**  
**(2)** | **1/4x1 1/2**



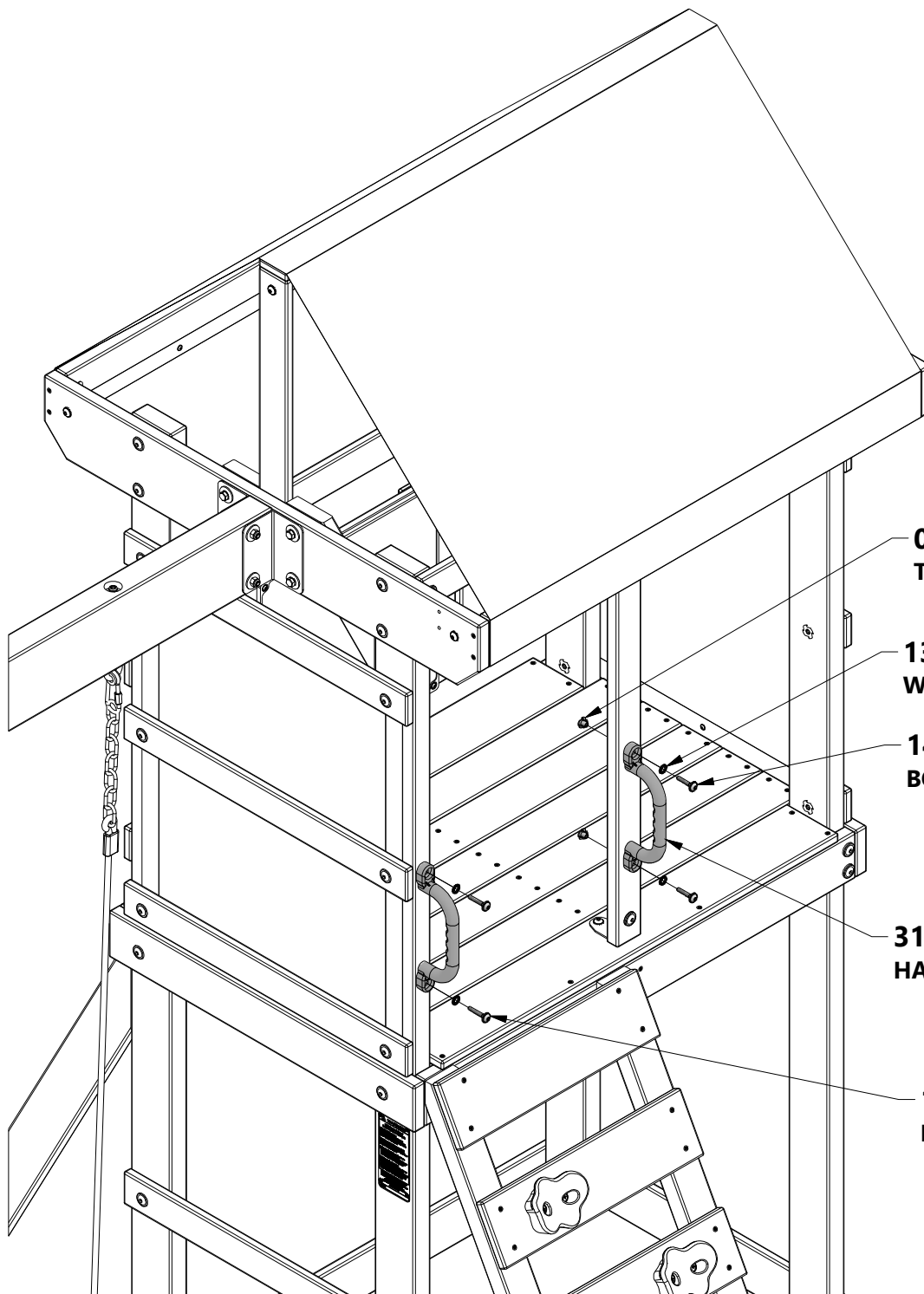
**H100138** | **WASHER LOCK**  
**(4)** | **EXT**  
**6x15**



**H100142** | **BOLT WH**  
**(2)** | **1/4x1-1/4**



**H100072** | **T-NUT**  
**(2)** | **1/4**



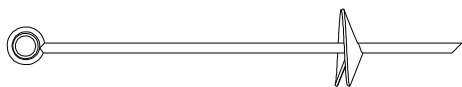
**072 (x2)**  
**T-NUT - 1/4"**

**138 (x4)**  
**WASHER - 6x15**

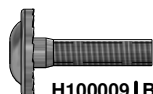
**142 (x2)**  
**BOLT WH - 1-1/4"**

**314 (x2)**  
**HAND GRIP BLUE PLASTIC**

**145 (x2)**  
**LAG SCREW - 1 1/2"**



**A100178 | AUGER GROUND STAKE**  
(6)



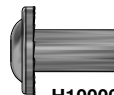
**H100009 | BOLT WH**  
(2) | 5/16x1 1/4



**H100222 | BOLT WH**  
(4) | 5/16x3/4



**H100031 | WASHER LOCK EXT**  
(6) | 12x19



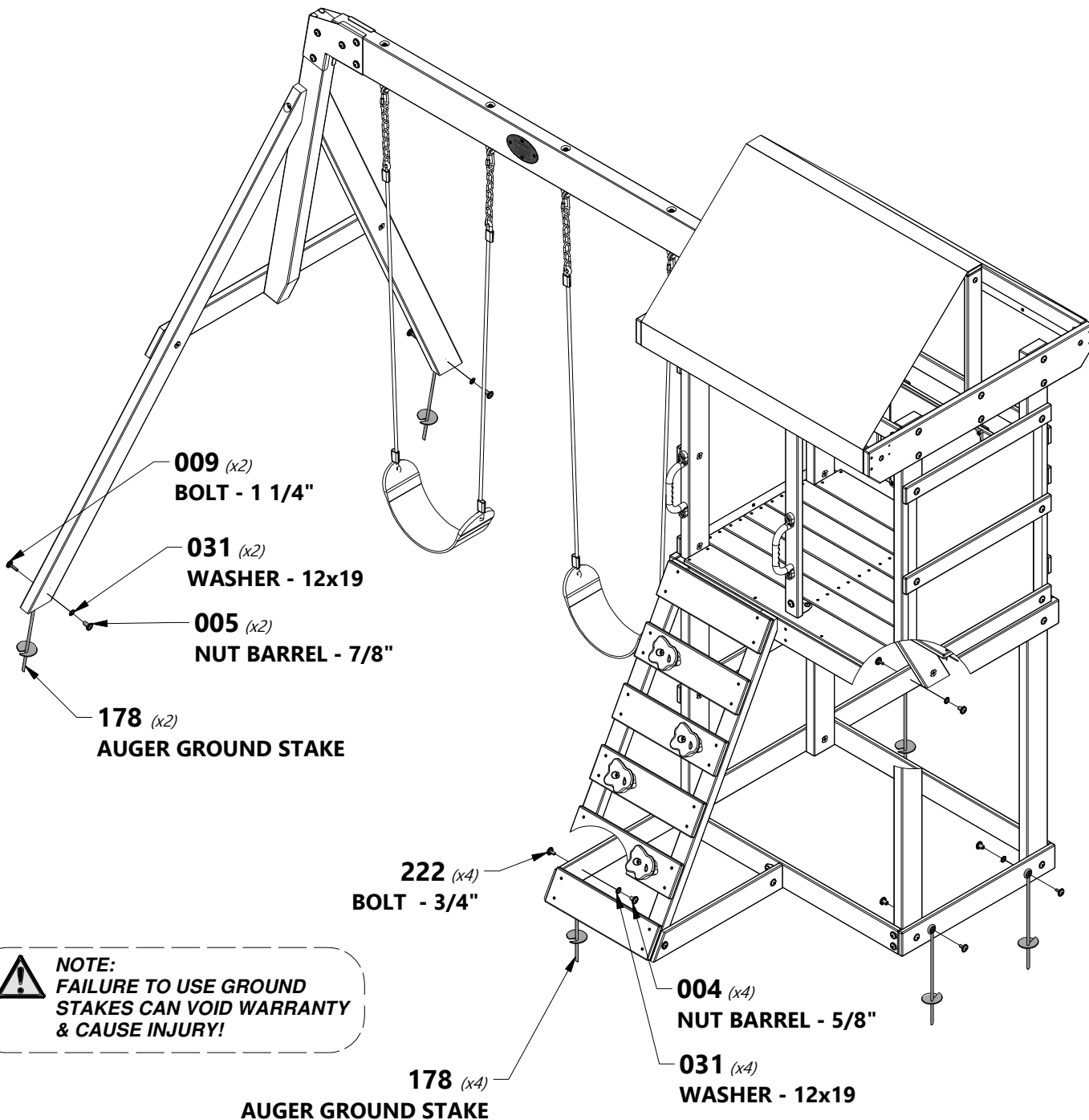
**H100005 | NUT BARREL WH**  
(2) | 5/16x7/8



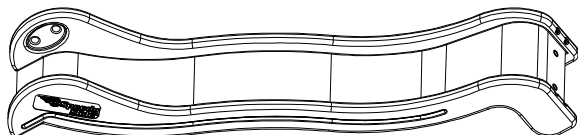
**H100004 | NUT BARREL WH**  
(4) | 5/16 x 5/8



**NOTE:** TWIST GROUND STAKES INTO GROUND IN LOCATIONS SHOWN. USING GROUND STAKE AS A GUIDE, DRILL 7/16" HOLE FOR HARDWARE.



**NOTE:** FAILURE TO USE GROUND STAKES CAN VOID WARRANTY & CAUSE INJURY!



9208018 | SLIDE  
(1) ASSEMBLY



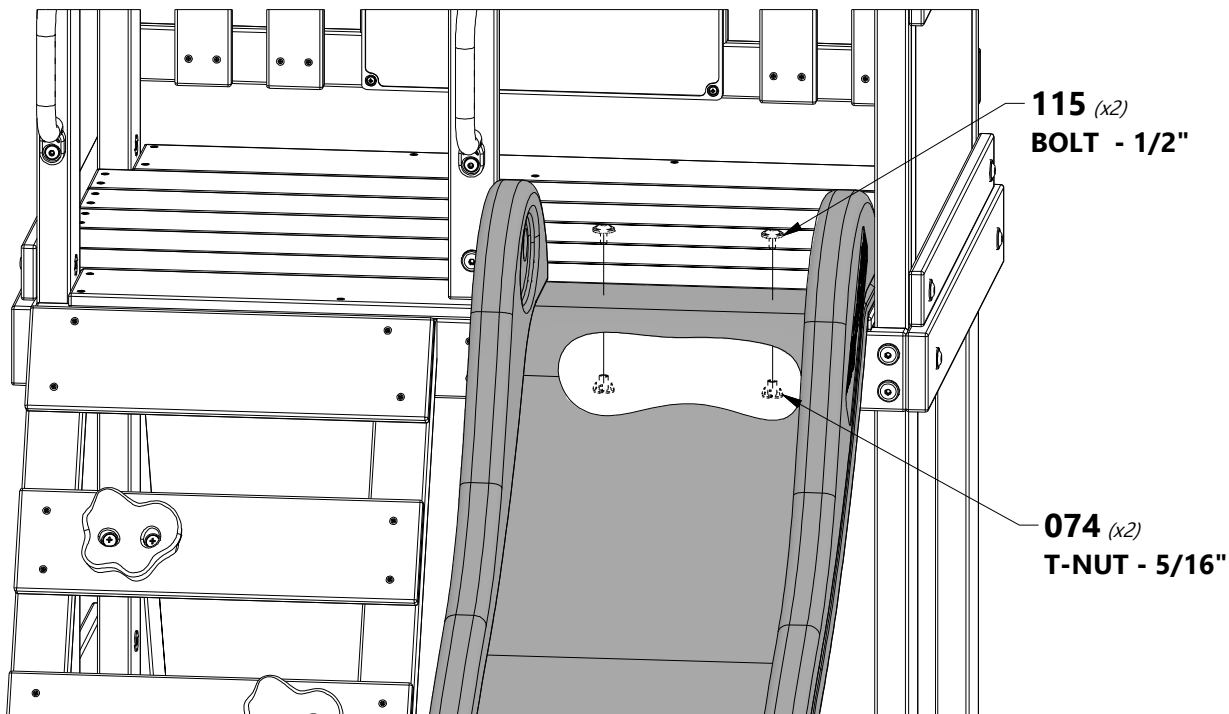
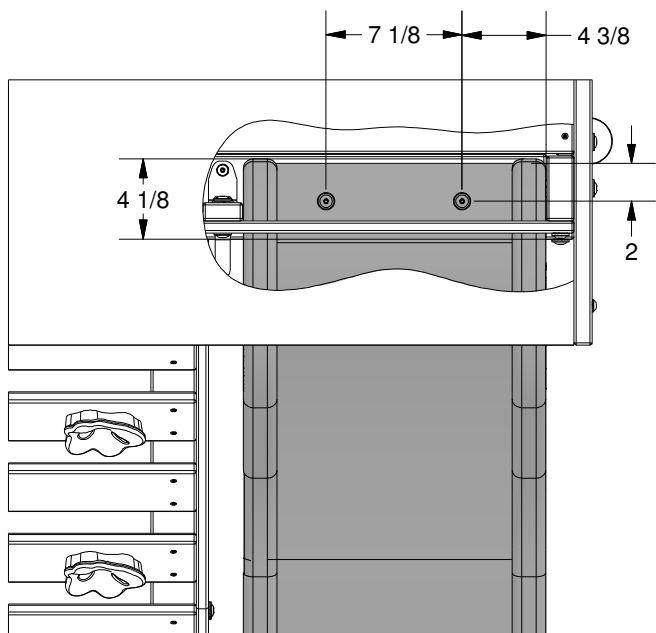
H100115 | BOLT WH  
(2) 5/16x1/2



H100074 | T-NUT  
(2) 5/16



**NOTE:**  
CENTER SLIDE IN OPENING.  
USING DIMENSIONS SHOWN AS  
A TEMPLATE, DRILL (2) 3/8" HOLES  
THROUGH SLIDE & DECK FOR  
HARDWARE.

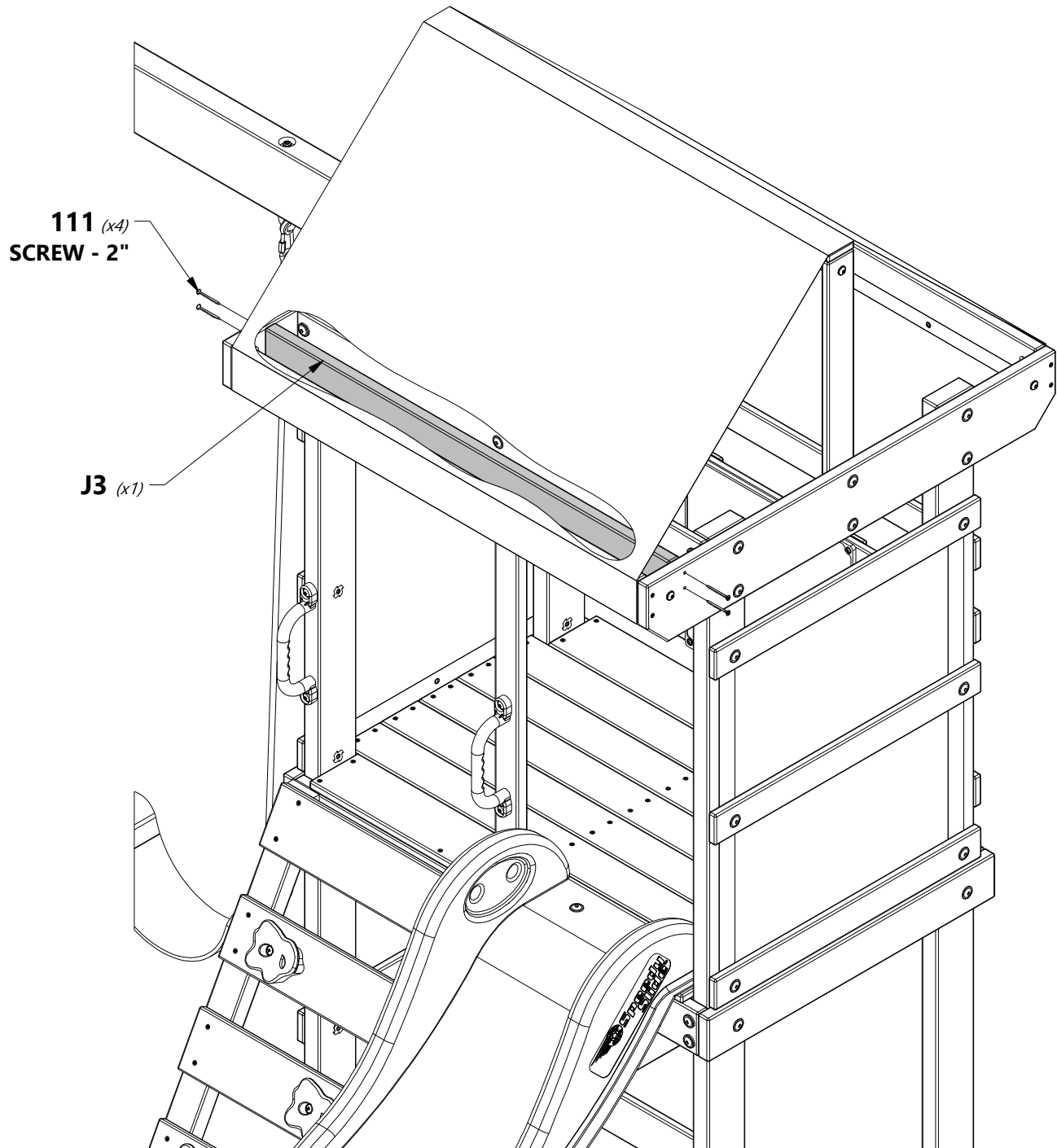




**J3** SAFETY RAIL - W4L13299  
(1) 1"x2 3/8"x36 5/8" (24x60x930)



**H100111** SCREW PFH  
(4) 8x2



**111** (x4)  
SCREW - 2"

**J3** (x1)