

Installation Guide

Overflowing Bath

Français, page "Français-1"
Español, página "Español-1"

THE BOLD LOOK
OF **KOHLER**®

Important Information



WARNING: When using electrical products, basic precautions should always be followed, including the following:



DANGER: Risk of accidental injury or drowning. This appliance is not intended for use by persons with reduced physical, sensory, or mental capabilities, or lack of experience and knowledge. Children should be supervised to ensure that they do not play with this appliance.



WARNING: Risk of electric shock. Connect only to a circuit protected by a Ground-Fault Circuit-Interrupter (GFCI)*.



WARNING: Risk of electric shock. A qualified electrician should make all electrical connections.



WARNING: Risk of electric shock. Disconnect power before servicing.



WARNING: Risk of personal injury. Parts containing live parts, except parts supplied with safety extra-low voltage not exceeding 12 V, must be inaccessible to a person in the whirlpool.



WARNING: Risk of injury or property damage. Please read all instructions thoroughly before beginning installation, including the following requirements.

NOTICE: Follow all local plumbing and electrical codes.

Install to permit access for servicing.

A green with yellow stripe lead wire is provided within the wiring compartment. To reduce the risk of electrical shock, connect this wire to the grounding terminal of your electric service or supply panel with copper wire equivalent in size to the circuit conductor supplying this equipment.

A pressure wire connector is provided on the exterior of the pump or control within this unit to permit connection of a bonding conductor between this unit and all other exposed metal in the vicinity, as needed to comply with local requirements.

Grounding is required. The unit should be installed by a qualified service representative, and grounded.

Building materials and wiring should be routed away from the pump body and other heat-producing components of the unit.

*Outside North America, this device may be known as a Residual Current Device (RCD).

Important Product Information

Product Notices



WARNING: Unauthorized modification may cause unsafe operation and poor performance of the bath. Do not relocate the pump, or make other modifications to the circulating system, as this could adversely affect the performance and safe operation of your bath. Kohler Co. shall not be liable under its warranty or otherwise for personal injury or damage caused by any such unauthorized modification.

Product Inspection

Carefully unpack the product, and inspect the unit for damage. Return the unit to the carton during construction to prevent damage.

Factory-Assembled Features

Factory installed components include pump, level sensors, inline heater, submerged chromotherapy lights (optional), control and switch. The pump and piping are factory-assembled.

Important Product Information (cont.)

Connections and Service Access

NOTICE: Provide unrestricted service access to the pump and heater. Provide unrestricted service access to the pump, inline heater, adjustable feet, and control box. You must construct an access panel to provide sufficient clearance for servicing the pump, inline heater, and control box. The access panel must be located immediately next to the pump and inline heater. Study the roughing-in information.

Electrical Requirements

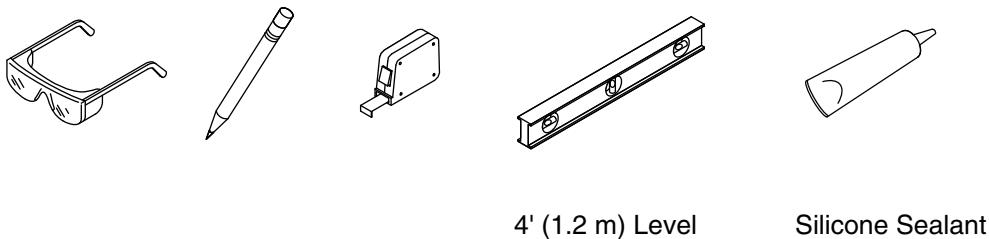
The installation must have two Class A Ground-Fault Circuit-Interrupters (GFCI's)*. The GFCI protects against line-to-ground shock hazard. Use a 208-240 V, 20 A, 50/60 Hz dedicated service for the pump controls. Use a separate 208-240 V, 20 A, 50/60 Hz dedicated service for the heater.

An equipment grounding terminal is provided in the field wiring compartment. To reduce the risk of electrical shock, this terminal must be connected to the grounding means provided in the electrical supply panel with a conductor equivalent in size to the circuit conductors supplying this equipment.

Install this unit in accordance with the Canadian Electric code, Part I.

*Outside North America, this device may be known as a Residual Current Device (RCD).

Tools and Materials



Plus:

- Conventional Woodworking Tools and Materials
- Drop Cloth
- 2x4s or 2x6s

Introduction

Please read these instructions carefully to familiarize yourself with the required tools, materials, and installation sequences. Follow the sections that pertain to your particular installation. This will help you avoid costly mistakes. In addition to proper installation, read all operating and safety instructions.

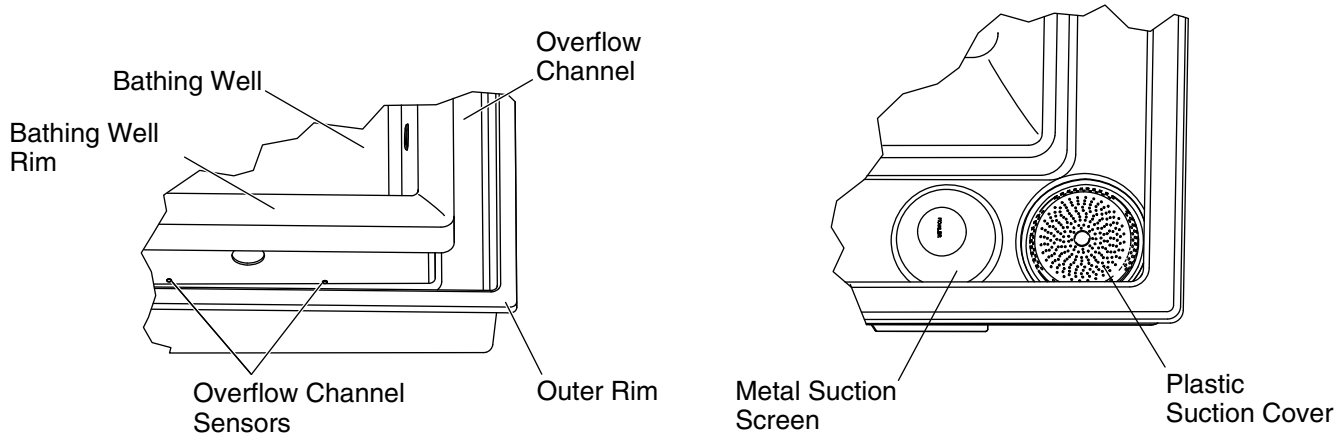
All information in this manual is based upon the latest product information available at the time of publication. At Kohler Co., we constantly strive to improve the quality of our products; we therefore reserve the right to make changes in product characteristics, packaging, or availability at any time without notice.

Before You Begin

- Your bath is designed for deck-mount, under-mount, or alcove installations.
- You must install the bath onto an adequately supported, level subfloor.

Before You Begin (cont.)

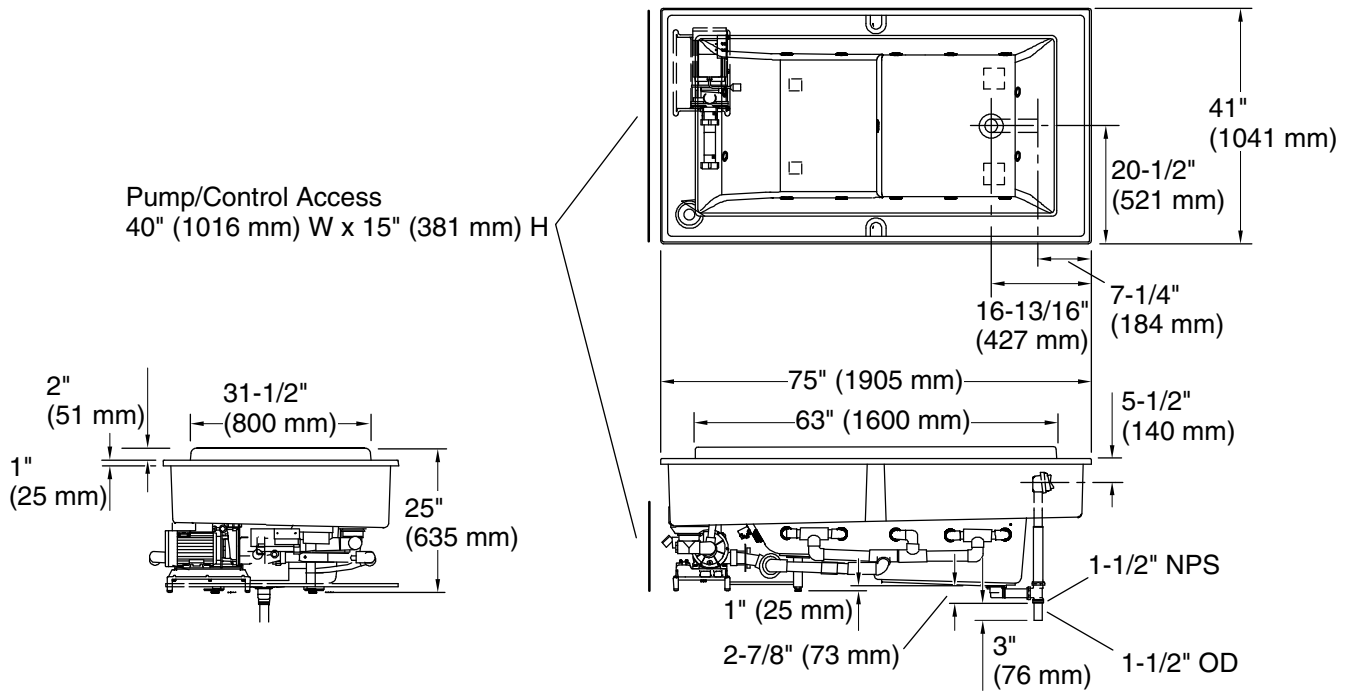
- Provide properly dimensioned framing.
- Choose a fill spout which will provide adequate reach and a minimum 2" (51 mm) air gap above the bathing well rim of the overflowing bath. You may need to build up the deck material to obtain adequate air space because the outer rim may be lower than the bathing well rim depending on the specific area of the bath.
- Follow local plumbing codes.
- The bath must be filled with water through the bathing well, not the overflow channel.
- If you plan to install a deck-mounted, hand-held shower, the diverter vacuum breaker must maintain a minimum 1" (25 mm) air gap above the bath rim.
- When using the K-922 or K-923 Laminar Bath Spout with drip tray K-924, the distance from the finished wall to the outside wall of overflow channel should not exceed 2" (51 mm).
- Kohler Co. reserves the right to make revisions in the design of products without notice, as specified in the Price Book.



List of Terms

- **Bathing well** - The deep portion of the overflowing bath used by the bather.
- **Bathing well rim** - The high rim between the bathing well and the overflow channel. Water will evenly cascade over the bathing well rim and into the overflow channel during operation.
- **Cavitation** - When air is drawn into the pump instead of water to a point where it impairs or stops the pump's ability to circulate water.
- **Chromatherapy control pad** - Turns the chromatherapy lights on and off (if equipped).
- **Chromatherapy lights** - Lights provided in the basin of the bath (if equipped) to enhance your bathing experience.
- **Heater** - Designed to automatically help maintain the temperature of the water up to 104°F (40°C) to enhance your hydro-massage experience. The heater turns on automatically when the whirlpool is operating, and turns off when the pump motor is turned off.
- **Master control** - This unit is located beneath the pump. It provides the "brains" of the system, interpreting all incoming and outgoing signals.
- **Metal suction screen** - The removable metal screen located over the plastic suction cover in the overflow channel. The suction screen must always be clean and in place when the overflowing bath is running to prevent debris from entering the water intake port and to prevent cavitation and poor operation.
- **Outer rim** - The rim along the outside of the overflow channel.
- **Overflow channel** - The overflow water collection channel surrounding the bathing well. The overflow channel collects the water overflowing the bathing well rim during normal operation, and channels the water back into the piping system for recirculation.
- **Overflow channel sensors** - The two metal probes located in the wall of the overflow channel beneath the drain overflow hood. These sensors prevent activation of the pump if insufficient water is available, and will automatically shut off the pump if the water level drops below them. The pump will only operate when these two sensors are completely submerged.
- **Pump control switch** - Turns the pump on and off.
- **Plastic suction cover** - The plastic guard attached over the water intake port located in the overflow channel. The suction cover must always be installed during product use to ensure user safety.
- **Pump** - The pump circulates the water.
- **Wire harness** - The wire harness connects all powered peripheral components (valves, pump, heater, switches, lights) to the master control.

No change in measurements if connected with drain illustrated. (K-7193 or K-7193M)
 Cut-out 73-1/2" (1867 mm) x 39-1/2" (1003 mm)

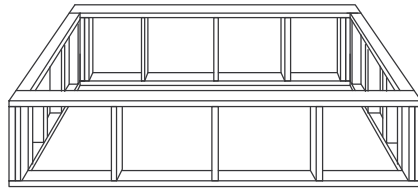


1. Roughing-In Information

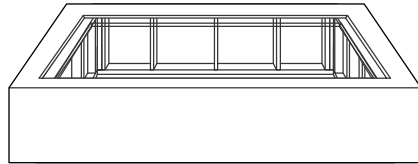
NOTICE: The floor support under the whirlpool must provide for a minimum of 2000 lbs (907.2 kg).

- Two separate 240 V electrical services are required: one for the pump/control, and one for the heater.
- Consult local and national codes for minimum air gap requirements when installing a spout on the faucet deck.
- The overflowing bath must be filled through the bathing well.
- Hot water supply should be 70% of the capacity or greater.
- The fixture conforms to ANSI Standard Z124.1. All dimensions are nominal.
- There is no change in measurements if connected with the drain illustrated (K-7193, K-7193M).
- Cutout = 73-1/2" (1867 mm) x 39-1/2" (1003 mm)
- An access panel is required. The recommended dimensions for this access panel are 40" (1016 mm) W x 15" (381 mm) H. Refer to the roughing-in diagram for suggested access panel location.
- Make sure the flooring is in good condition and offers adequate support for your bath.

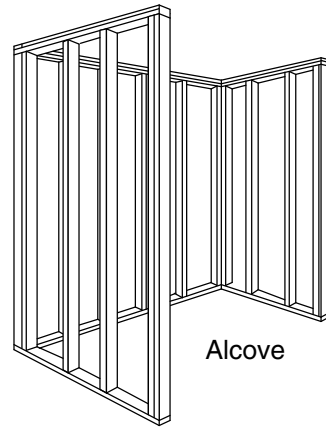
IMPORTANT! Verify that the subfloor is flat and level. This will help minimize the leveling adjustments necessary for proper product performance.



Deck



Under-mount

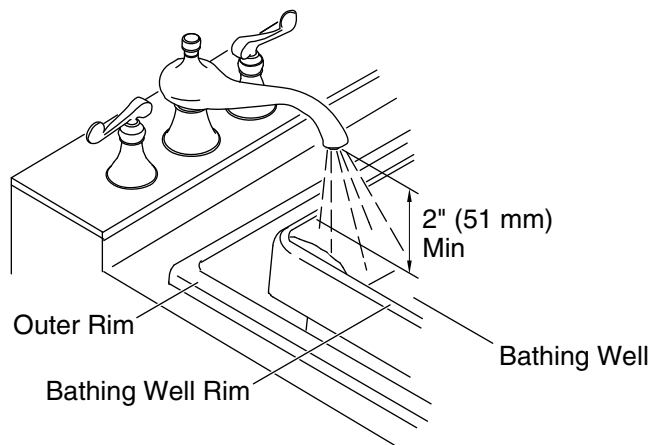


Alcove

2. Construct the Stud Framing

NOTICE: Provide unrestricted service access to the pump, inline heater, adjustable feet, and control box. You must construct an access panel to provide sufficient clearance for servicing the pump, inline heater, and control box.

- Construct stud framing designed for your particular installation. The overflowing bath can be installed in a deck, under-mount, or alcove installation.
- Frame the floor, or construct a frame for a raised installation in accordance with the roughing-in information.
- When constructing the framing, allow for the thickness of sub and finished deck materials.
- Framing should be of 2x4 construction.
- For under-mount installation, allow for the thickness of the planned deck material, and provide proper support.
- Do not support the bath by the rim.
- When planning the stud framing, take into account the required 2" (51 mm) air gap between the end of the fill spout and the top of the bathing well rim. Take into account the thickness of your planned finished deck material, and construct the framing and deck material with this minimum air gap in mind.



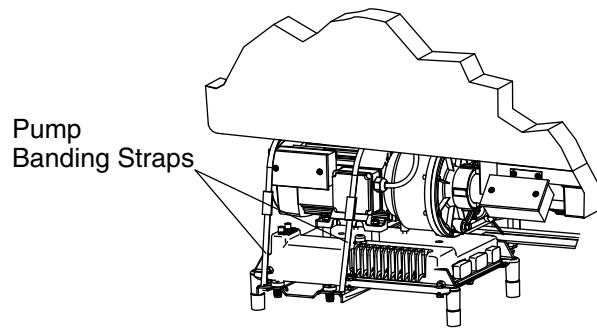
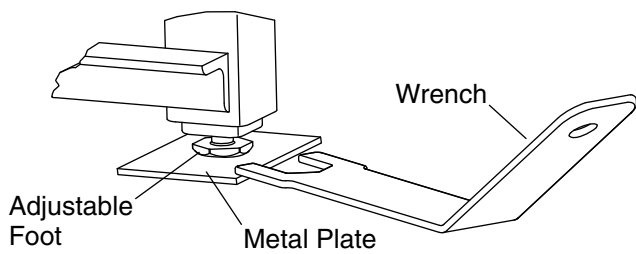
3. Install the Rough Plumbing

IMPORTANT! Choose a fill spout which will provide a minimum 2" (51 mm) air gap above the basin rim of the overflowing bath. In addition, if you plan to install a deck-mounted, hand-held shower, the diverter vacuum breaker must maintain a minimum 1" (25 mm) air gap above the bathing well rim of the overflowing bath.

- Position the plumbing. Position the fill spout supply so the spout will reach beyond both the outer rim and the bathing well rim. **Water from the fill spout must be directed into the bathing well to fill the overflowing bath.** The overflowing bath should never be filled by directing water into the overflow channel.
- Cap the supplies and check for leaks.

4. Prepare the Unit

- Carefully lift the overflowing bath out of the carton.
- Identify the box located inside the overflow channel. This box contains the metal suction screen, and must be saved for use with this product.
- Install the drain according to the drain manufacturer's instructions. Do not connect the trap at this time.
- Position a clean drop cloth or similar material in the bottom of the bath. Be careful not to scratch the surface of the overflowing bath.



5. Position the Unit

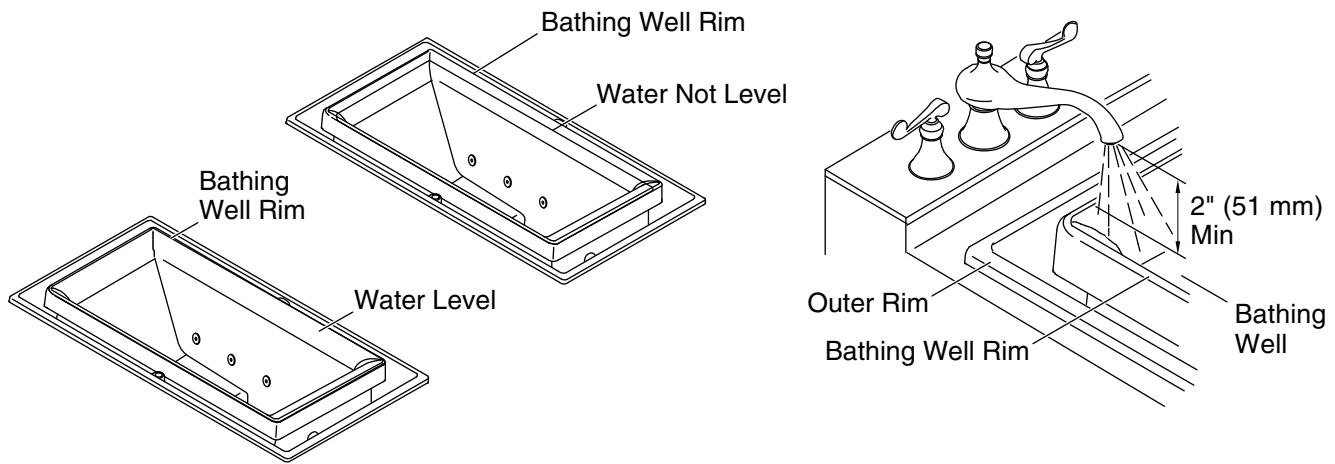
IMPORTANT! Risk of product damage. Do not lift or support the overflowing bath by the pump or piping.

NOTE: Do not use adhesive or a cement or mortar bed to secure this product to the subfloor.

- With help, carefully lift the overflowing bath into place. Using metal plates under the adjustable feet is recommended and will make leveling the bath easier.

NOTE: If you do not have a 72" (1829 mm) level, go to the next section.

- Level by turning the adjustable feet up or down with the wrench (7/8") attached to the harness near the pump. Make sure all four adjustable feet rest directly on the subfloor, and make sure the bathing well rim is level within 1/8" (3 mm) in all directions.
- After the overflowing bath is level, adjust the leveling foot located underneath the pump. Turn the foot until it rests directly on the subfloor. Use an accurate 48" (1219 mm) level, if available. Taking the time to carefully level the overflowing bath now minimizes the need to make leveling adjustments later in the installation.
- Cut and discard the banding straps from the pump.
- Make sure the rubber isolation feet are in place.
- Insert the drain tailpiece into the trap.



6. Level the Overflowing Bath (without level)

NOTICE: You do not need electrical power for the unit for the following leveling procedure.

- Insert the drain tailpiece into the trap, and connect the drain to the trap according to the drain manufacturer's instructions.
- Close the drain, and plug or cover the suction cover to temporarily make them watertight.
- Use a hose and fresh water supply to fill the bathing well to the bathing well rim.
- Observe the water level (grey shading in illustration = water level) in relation to the bathing well rim.
- If the water evenly cascades over the entire rim of the overflowing bath, no adjustments are needed. The overflowing bath is level.
- If the water level is uneven and only cascades over sections of the rim, use the wrench to turn the adjustable feet up or down as needed to obtain a uniform water level.
- Open the drain, and unplug the suction cover to drain the bathing well.

IMPORTANT! Allow adequate access to each of the four adjustable feet until after you have test run your bath.

7. Install the Plumbing

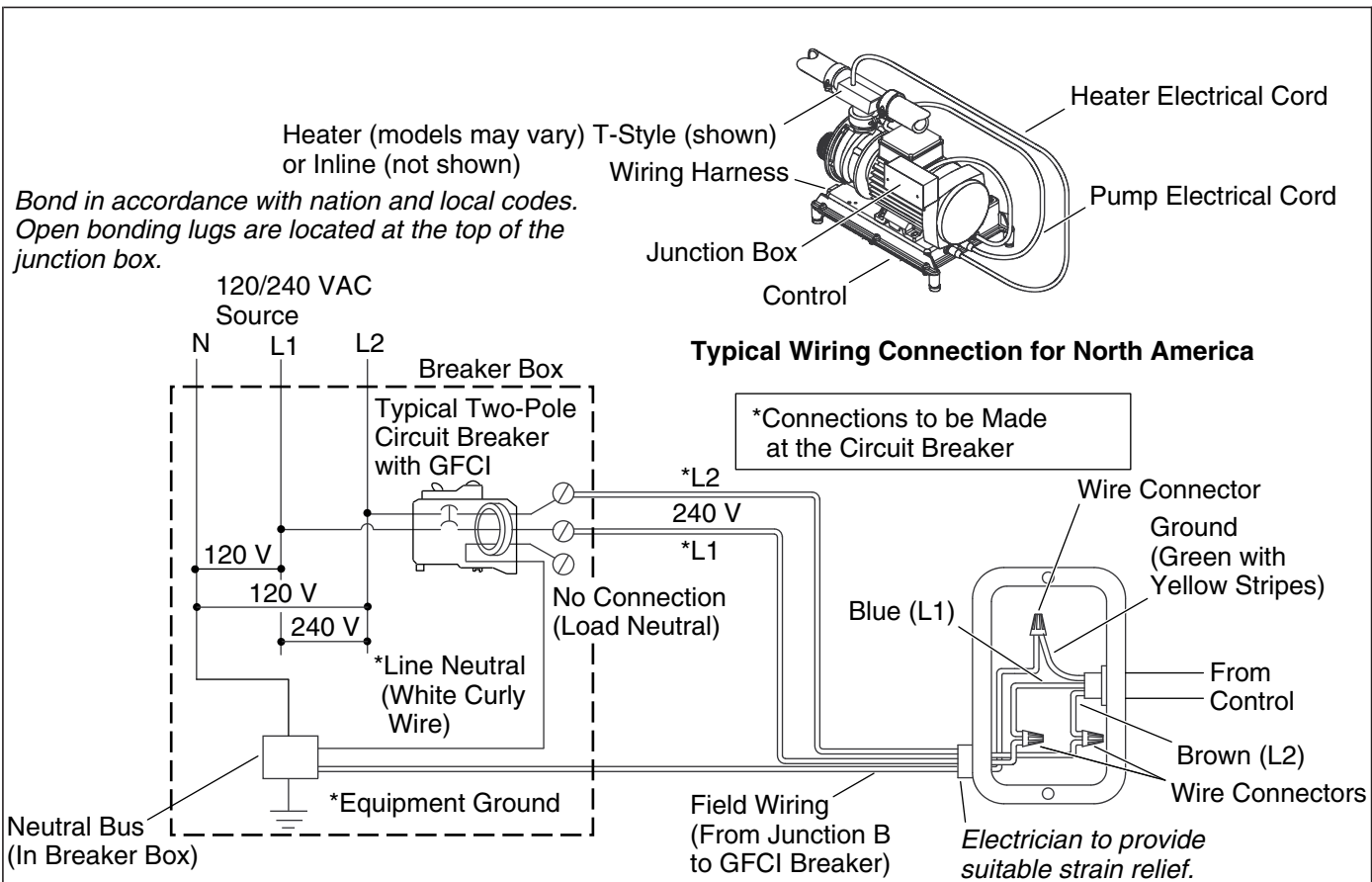


CAUTION: Risk of property damage. Ensure a watertight seal on the drain connections.

IMPORTANT! Choose a fill spout which will provide adequate air space above the bathing well rim of the bath. You may need to build up the deck material to obtain adequate air space because the outer rim may be lower than the bathing well rim. In addition, if you plan to install a deck-mounted, hand-held shower, the diverter vacuum breaker must maintain a minimum 1" (25 mm) air gap above the outer rim.

NOTE: An access panel will simplify future maintenance.

- If you have not yet done so, connect the drain to the trap according to the drain manufacturer's instructions.
- Install the faucet valving according to the faucet manufacturer's instructions. Do not install the faucet trim until instructed.
- Make sure all butterfly valves and supply connections are tightened securely.
- Open the hot and cold water supplies and check the supply connections for leakage.
- Run water into the bathing well, and check the drain connections for leakage.



8. Make the Electrical Connections

NOTE: The product model number is printed on a label on the pump side of the whirlpool bath. This label also identifies the electrical rating of the product. **All whirlpools come equipped with a wiring junction box and are designed to operate between 220 V and 240 V at either 50 Hz or 60 Hz.**



WARNING: Risk of electrical shock. Make sure the power has been disconnected before performing the following procedures. Refer to the "Important Information" section.



WARNING: Risk of electrical shock. To reduce the risk of electrical shock, connect the pump to a properly grounded Ground-Fault Circuit-Interrupter (GFCI)*. This will provide additional protection against line-to-ground shock hazard. A 220-240 V, 20 A, 50/60 Hz dedicated circuit is required.

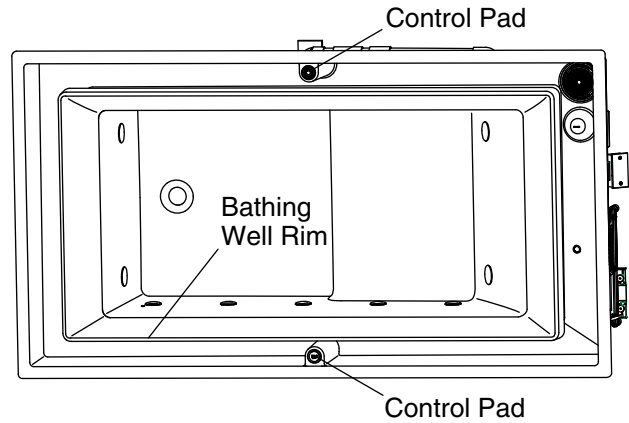
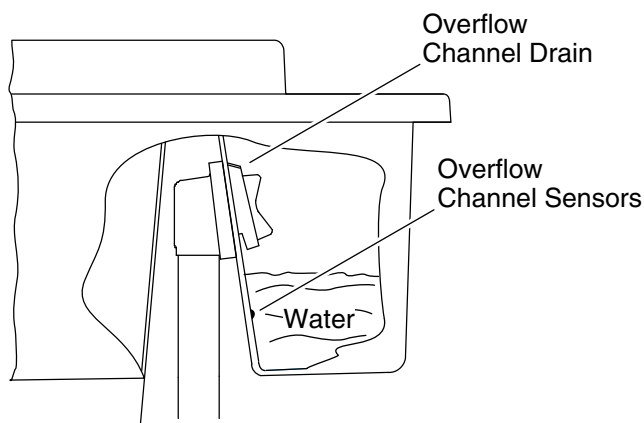
IMPORTANT! The **load neutral** is not used. There should be no connection to the **load neutral** terminal on the Ground-Fault Circuit-Interrupter (GFCI) breaker. The green wire with the yellow stripe is the **equipment ground** and needs to be connected to the neutral bus in the main circuit breaker box.

- The whirlpool bath control and system have been pre-wired at the factory. A qualified electrician should make a routine service connection to the junction box.
- Connect service to the junction box. The junction box contains blue, brown, and green with a yellow stripe colored wires.
- Follow local electrical codes. Bond in accordance with national and local codes.
- A wiring harness has been pre-wired at the factory, allowing communication between the keypad, all features, and the control. No additional wiring is required, but ensure that all wires are securely fastened.

NOTE: Your wiring harness includes an antenna for the optional remote control. Do not alter or damage this antenna during installation.

Make the Electrical Connections (cont.)

*Outside North America, this device may be known as a Residual Current Device (RCD).



9. Test Run the Overflowing Bath

- Check all electrical connections, and make sure the electrical power to the unit is turned on.
- Make sure union connections to the pump, butterfly valves, and inline heater are securely hand tightened. Make sure the bathing well and overflow channel are clean and free of debris.
- Position the metal suction screen over the plastic suction cover. The pump may cavitate if the metal screen is not in place.
- Fill the overflowing bath bathing well with water so it overflows the bathing well rim and flows into the overflow channel. Continue filling the bathing well until both overflow channel sensors are completely covered with water, and the water level is at the drain overflow.
- Verify that the green light in the pump control switch starts to blink automatically within 1/2 minute after the overflow channel sensors are completely submerged.

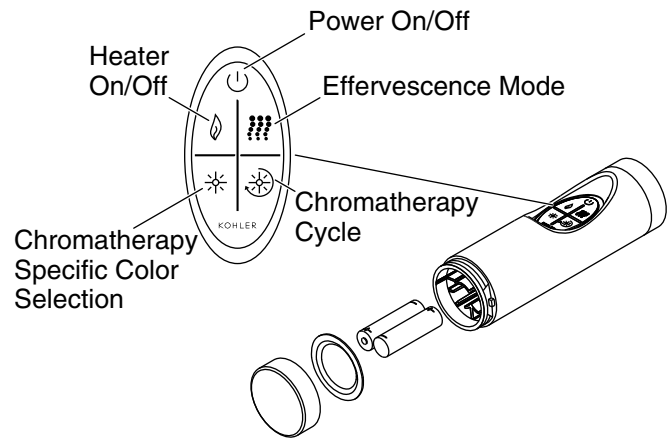
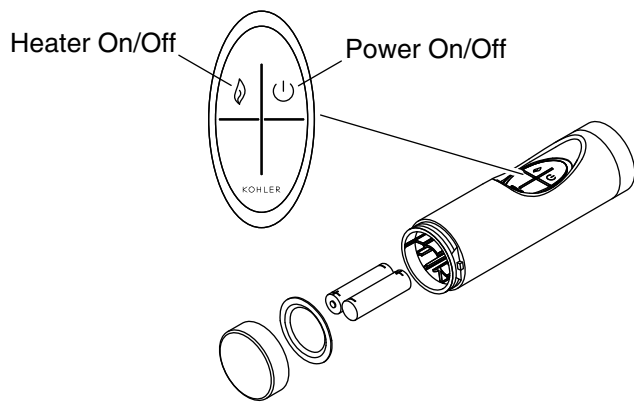
10. Test the Control Switch

- Press the pump control switch to start the pump/motor and begin the hydro-therapy cycle. As the pump/motor turns on and the water begins to circulate, the light will turn to constant green, and will stay on as long as the overflowing bath is running.
- With the unit running, check all harness (piping) connections for leaks. Visually observe the cascading water flow over the bathing well rim to verify that it is smooth and even along all four sides and corners.
- If the water is cascading uniformly over all four sides of the bathing well rim, you do not need to make further leveling adjustments.
- If further leveling is necessary, keep the overflowing bath running and turn the adjustable feet up or down with the 7/8" wrench provided. Make sure the unit is resting on all four adjustable feet.
- Verify that the chromatherapy lights (if applicable) are operating. Press the chromatherapy control switch (located directly across the bath from the power switch) to turn on the lights. Upon start-up the lights should be changing through the color sequence. Press the light control switch a second time. The lights should stop sequencing and stay one color. Press the light control switch again and lights will deactivate.
- Check the harness connections for leakage one more time.
- Press the pump control switch again to turn off the bath. The green light in the pump control switch will then start to blink automatically (after approximately 1/2 minute) until the overflowing bath is drained or restarted.

NOTE: For additional information on operation of your bath, see the "Using Your Bath" section.

Test the Control Switch (cont.)

IMPORTANT! Allow adequate access to each of the four adjustable feet until test run is complete.



11. Test the Remote Control

NOTE: There are two types of remote controls available: a basic unit and a unit with controls for chromatherapy and effervescence. Determine which unit you have and follow the corresponding directions.

NOTE: Your remote requires two AAA batteries. To install or replace them, simply unscrew the base of the remote.

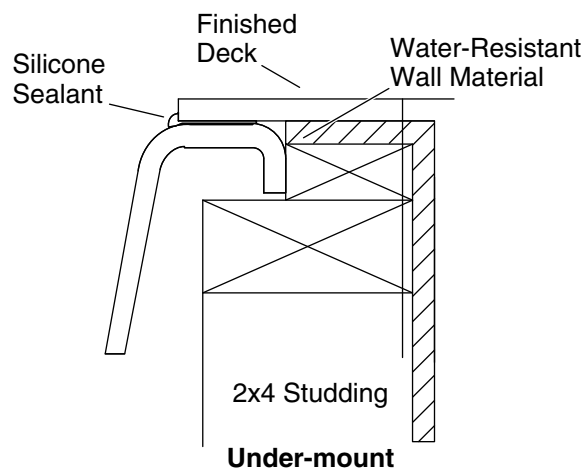
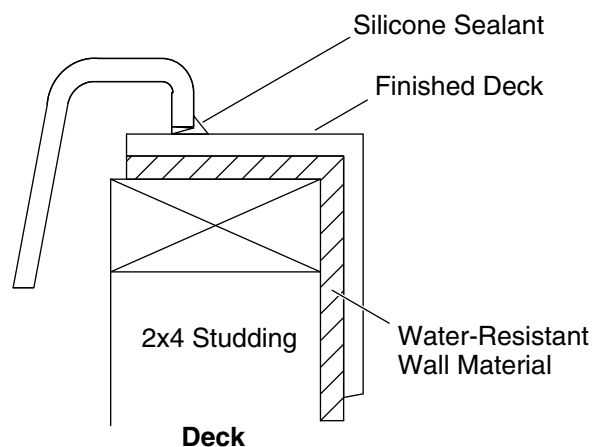
Your overflowing bath is equipped with a waterproof remote.

To turn the pump and the chromatherapy lights on and off, press the power button.

To reheat the water in the overflowing bath as it circulates, turn the heater on by pressing the heater icon (the heater defaults to "On" when the pump is turned on). Press the heater icon again to turn the heater off. The heater will not operate if the pump is off. If the heater is on, the pump switch will be dark green. If the heater is off, it will be yellow-green.

To cycle the chromatherapy lights through the spectrum of colors, press the chromatherapy cycle icon.

To lock an individual chromatherapy color in, press the chromatherapy specific color icon.



12. Complete the Finished Wall or Deck

NOTICE: Provide unrestricted service access to the pump, inline heater, adjustable feet, and control box. You must construct an access panel to provide sufficient clearance for servicing the pump, inline heater, and control box.

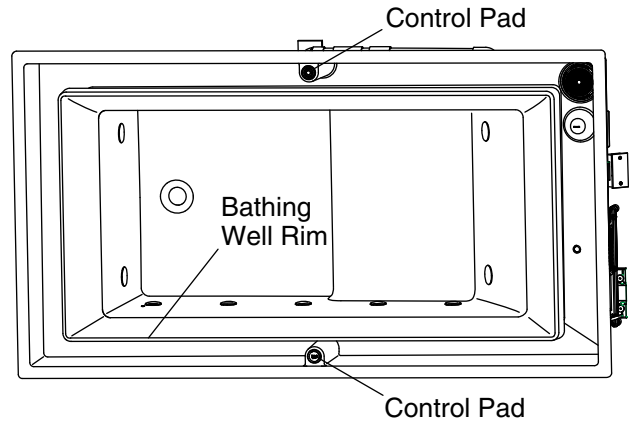
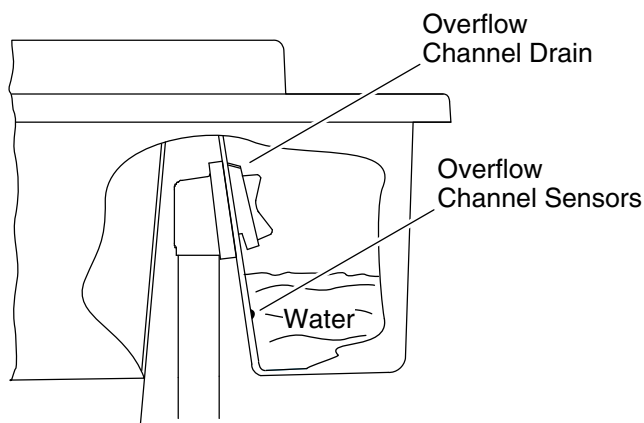
- Protect the product surface. Cover the framing with water-resistant wall material.
- Keep the entire overflow channel area exposed to allow access to the drain overflow, and to permit easy cleaning of the overflow channel surfaces.
- Seal the joints between the rim edge and the water-resistant wall or deck material with silicone sealant.
- Tape and mud the water-resistant wall material.
- Install the finished wall to the water-resistant wall material.
- Seal the joints between the product rim and the finished wall material with silicone sealant.

13. Install the Faucet Trim

- Install the faucet trim according to the instructions packed with the trim.

14. Clean-Up After Installation

- When cleaning up after installation, **do not use abrasive cleansers**, as they may scratch and dull the bath surface. Use warm water and a liquid detergent to clean the surface.
- Remove stubborn stains, paint, or tar with turpentine or paint thinner. **Do not allow cleaners containing petroleum distillates to remain in contact with any bath surfaces for long periods of time.** Remove plaster by carefully scraping with a wood edge. Do not use metal scrapers, wire brushes, or other metal tools. Use a powder-type detergent on a damp cloth to provide mild abrasive action to any residual plaster.



15. Using Your Bath

Fill the Overflowing Bath

NOTE: Please read these steps carefully before you operate your bath.

- Make sure the metal suction screen is clean, and is correctly in place over the plastic suction cover.

NOTE: The water temperature in the bath should not exceed 104°F (40°C) or the heater will not operate.

IMPORTANT! Like any other bath, prevent flooding the area around the unit by entering the filled bathing well slowly. This will allow the system to properly drain excess water.

- Fill the unit with water so the bathing well overflows into the overflow channel to the drain. The channel sensors should be completely covered with water.
- The green light in the pump control switch will start to blink automatically within 1/2 minute after the sensors are submerged to let you know the unit is ready to start.

Operating Sequence

- Press the pump control switch to start the pump/motor and begin operation.
- As the pump/motor turns on and water begins to circulate, the light on the pump control switch will change to solid green, and will stay on as long as the overflowing bath is running.
- Verify that the indicator light for the heater is on when the overflowing bath is in operation. This indicator light is located on the underside of the heater box, and is near the subfloor at the pump end of overflowing bath. If the light is not on when the overflowing bath is running, reset the GFCI.
- Press the pump control switch again to turn off the overflowing bath. The green light in the pump control switch will then start to blink automatically for approximately 1/2 minute until the overflowing bath is drained below the overflow channel sensors or restarted.

NOTE: A built-in timer automatically stops the bath after approximately 20 minutes of operation.

- Press the pump control switch again to start the pump/motor and begin operation.
- Press the "On/Off" control switch to start the pump/motor and begin operation.
- An orange light in the "On/Off" control switch will temporarily turn on to indicate the start of the operating mode.
- As the pump/motor turns on and water begins to circulate, the light will change to solid green, and will stay on as long as the overflowing bath is running.

Using Your Bath (cont.)

- Verify that the indicator light for the heater is on when the overflowing bath is in operation. This indicator light is located on the underside of the heater box, and is near the subfloor at the pump end of overflowing bath. If the light is not on when the overflowing bath is running, press the reset button located to the right of the indicator light on the heater box.
- Press the "On/Off" control switch again to turn off the overflowing bath. The orange light in the "On/Off" switch will temporarily turn on to indicate the end of the operating mode. The green light in the "On/Off" control switch will then start to blink automatically until the overflowing bath is drained below the overflow channel sensors or restarted.

NOTE: A built-in timer automatically stops the bath after approximately 20 minutes of operation.

16. Chromotherapy Light Operation (if equipped)

NOTE: These directions pertain to the use of the mounted control pad only. For more information, see the "Test the Remote Control" section.

- If the chromotherapy lights are turned off, press the button on the control pad (located on the opposite side of the overflowing bath). The chromotherapy lights will begin to cycle through each of the colors (sweep mode).
- When the chromotherapy lights are in sweep mode, you can lock in one color light by pressing the control button.
- When an individual color is locked in, press the control button to turn the chromotherapy lights off.

Troubleshooting Procedures

For warranty service, contact your dealer or wholesale distributor. This Troubleshooting Guide is for general aid only. Contact a Kohler Authorized Service Representative or a qualified electrician to correct all electrical problems. For warranty service, contact your dealer or wholesale distributor.

Symptoms	Probable Causes	Recommended Action
1. Green light in "On/Off" control switch flashes before the bathing well is full of water.	<p>A. Spout fills directly into overflow channel.</p> <p>B. One or both butterfly valves do not work.</p> <p>C. Control does not work.</p>	<p>A. Adjust/reinstall the spout to fill directly into the bathing well. Refer to the installer/dealer.</p> <p>B. Check the butterfly valve wiring or replace the butterfly valves. Refer to the installer/dealer.</p> <p>C. Check the wiring or replace the control. Refer to the installer/dealer.</p>
2. Product does not start.	<p>A. No power to unit.</p> <p>B. Water does not cover the overflow channel sensors.</p> <p>C. "On/Off" control switch does not light up or flash when the unit is running or filled as required.</p> <p>D. Pump/motor does not work.</p>	<p>A. Turn on the power to the unit, or correct the source of the power loss. Refer to the installer/dealer.</p> <p>B. Fill the bathing well until water flows over the bathing well rim, into the overflow channel, and covers the overflow channel sensors. Suggested fill level is to the drain overflow.</p> <p>C. Check the wiring or replace the "On/Off" control switch. Refer to the installer/dealer.</p> <p>D. Rebuild or replace the pump/motor. Refer to the installer/dealer.</p>

Troubleshooting Procedures (cont.)		
Symptoms	Probable Causes	Recommended Action
	E. Control does not work.	E. Check the wiring or replace the control. Refer to the installer/dealer.
3. Water does not cascade evenly over the entire bathing well rim.	A. Unit is not level. B. Bathing well ports are blocked. C. Metal suction screen is blocked.	A. Level the unit by using the wrench provided to turn the adjustable feet up or down as needed. B. Remove blockage. C. Clean the metal suction screen.
4. Unit stops automatically before 18 minutes.	A. GFCI trips. B. Motor overheated and protection device activated. C. Water level drops below the overflow channel sensors during operation ("yellow" ring will be flashing on pump switch).	A. Identify the source of the fault and correct. Refer to the installer/dealer. B. Check for blockage of the motor vent. Allow the motor to cool, then remove the blockage. Check for a plugged metal suction screen, and allow the motor to cool before restarting. Check for blockage of the bathing well ports. Remove the blockage, and allow the motor to cool before restarting. C. Fill the bathing well until water flows over the bathing well rim, into the overflow channel, and covers the overflow channel sensors. Suggested fill level is to the drain overflow. Make sure the bath drain seals properly.
5. Noisy operation.	A. Metal suction screen is not in place over the plastic suction cover. B. Insufficient water level in the overflow channel. C. Pump/motor rattles.	A. Position the metal suction screen over the plastic suction cover to prevent cavitation. B. Fill the bathing well until water flows over the bathing well rim, into the overflow channel, and covers the overflow channel sensors. Suggested fill level is to the drain overflow. Make sure the bath drain seals properly. C. Make sure the pump/motor banding straps have been cut.
6. Water temperature drops significantly over 20 minutes of operation.	A. Heater limit switch tripped. Indicator light should be "On" during operation. B. Heater does not work.	A. Reset the GFCI/ELCB. B. Check the wiring or replace the heater. Refer to the installer/dealer.
7. Chromatherapy lights do not work.	A. Damaged wiring harness. B. Control does not work.	A. Check the wiring or replace the control. Refer to the installer/dealer. B. Replace wiring harness. Refer to the installer/dealer.
8. Remote control does not work.	A. Batteries improperly installed or dead. B. Control does not work. C. Remote control is not programmed correctly.	A. Replace the batteries. B. Replace wiring harness. Refer to the installer/dealer. C. See homeowners guide or service manual.

Troubleshooting Procedures (cont.)

Symptoms	Probable Causes	Recommended Action
	D. Remote control does not work. E. Control switch does not work.	D. Replace the remote control. E. Replace the control.
9. Water does not reach bath rim upon filling.	A. No power to the unit. B. Level probe wires loose. C. Butterfly valves do not work. D. Control switch does not work.	A. Turn on the power. B. Check/reconnect wires. C. Check wiring; replace butterfly valves if necessary. D. Replace control.