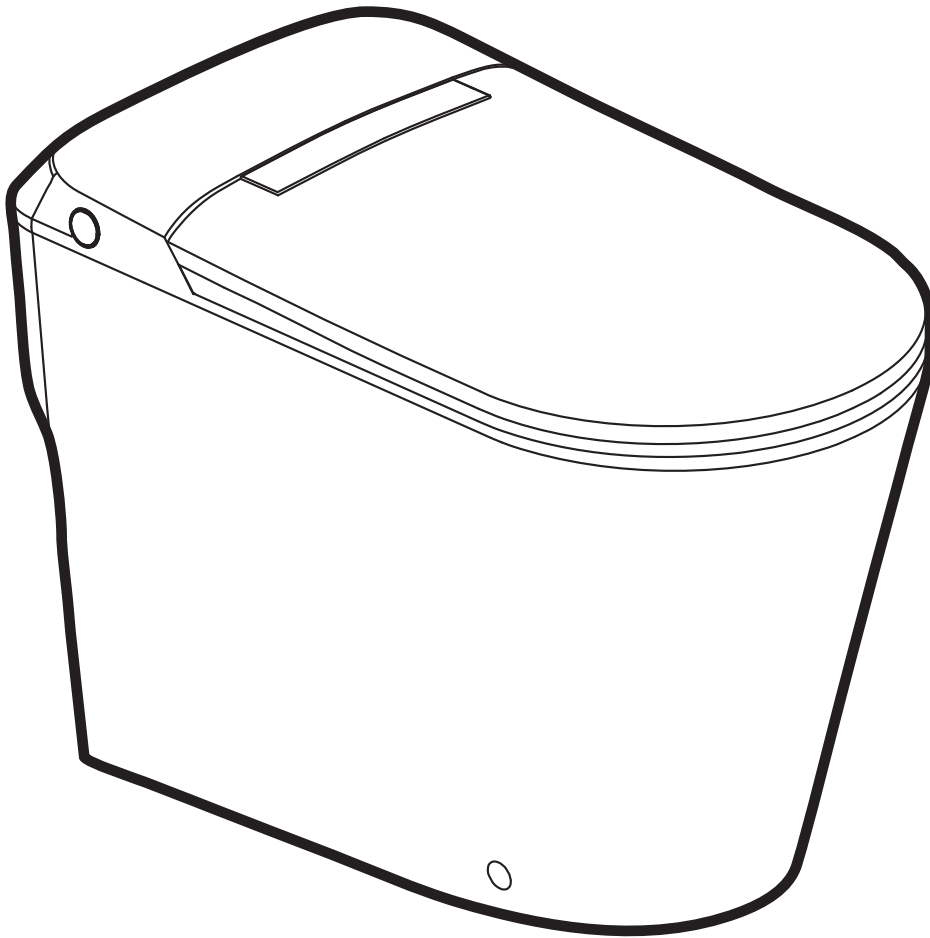


# Tankless Toilet

## INSTALLATION INSTRUCTIONS





## PRIOR TO INSTALLATION:

- Inspect toilet to ensure no damages have occurred while in shipping.
- Observe all plumbing and building codes in accordance with your state and local requirements.
- All dimensions are nominal! Be sure to measure your toilet prior to installation.
- The step-by-step guidelines in the installation instructions are a general reference. Should there be any discrepancies, Swiss Madison cannot be held liable. It is recommended to install all Swiss Madison products by hiring a licensed professional.
- Read installation and maintenance instructions thoroughly before installing. Be sure to use proper tools and always wear proper personal safety accessories for your protection.
- Two people are recommended to handle and install this product as it is fragile.

## QUESTIONS OR CONCERNS?

Please contact us:

1-434-623-4766

[info@swissmadison.com](mailto:info@swissmadison.com)

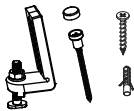
## INCLUDED PARTS:



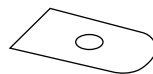
Tankless  
Toilet



Sealing  
Flange



Floor Anchor  
Kit

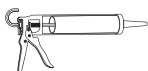


Cutout  
Template

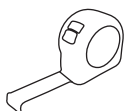
## SUGGESTED TOOLS & MATERIALS:



Safety  
Glasses



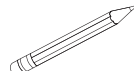
Caulk



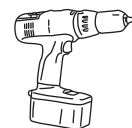
Tape  
Measure



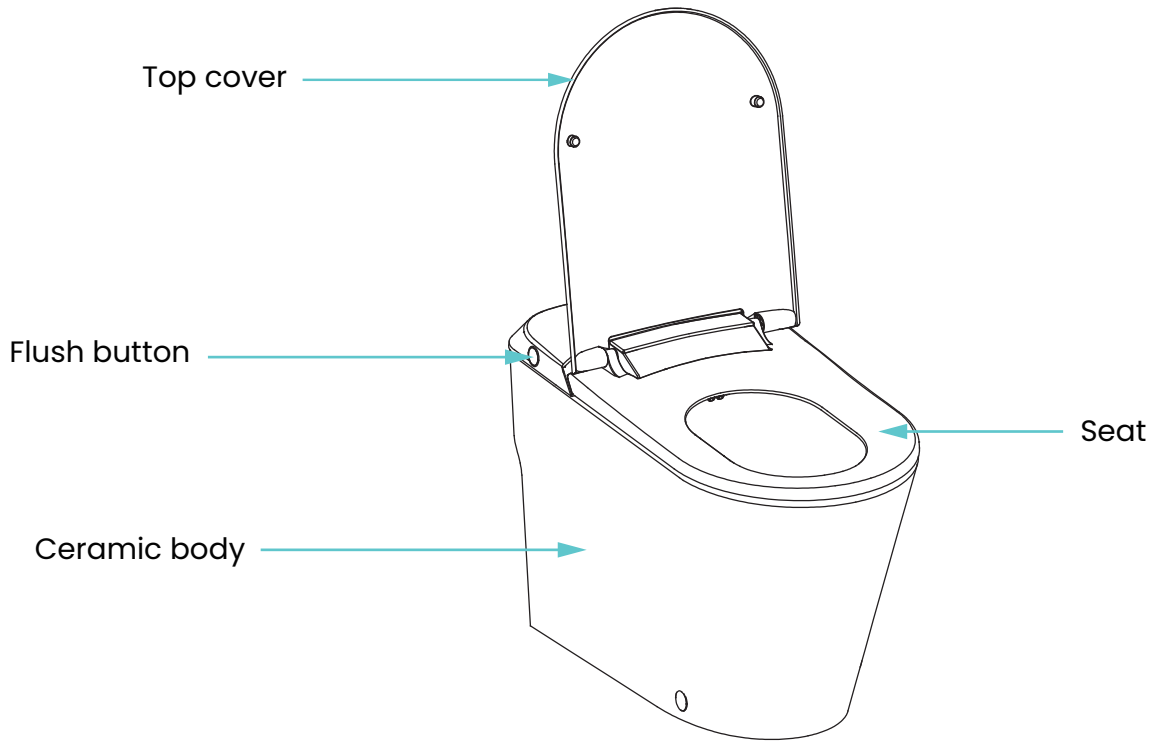
Wrench



Pencil

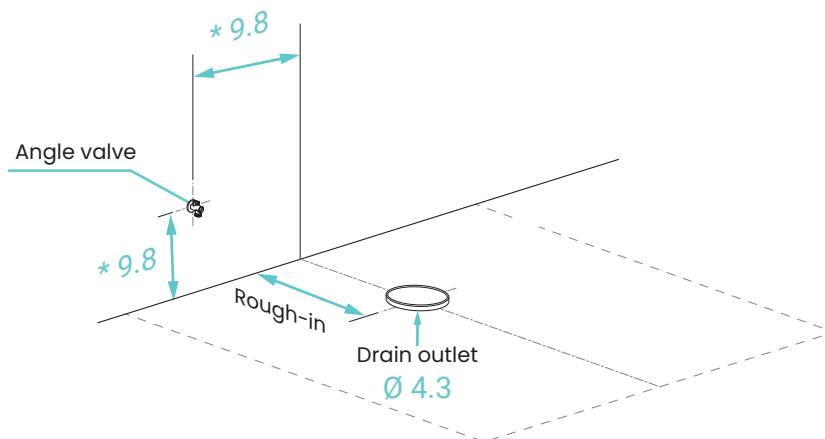


Drill



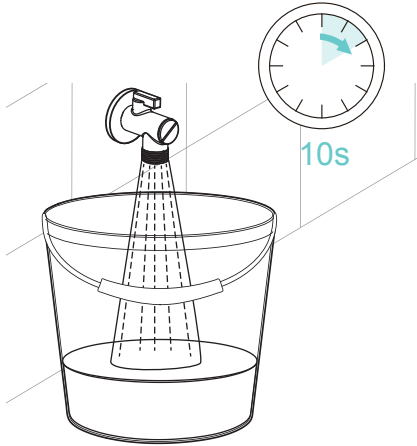
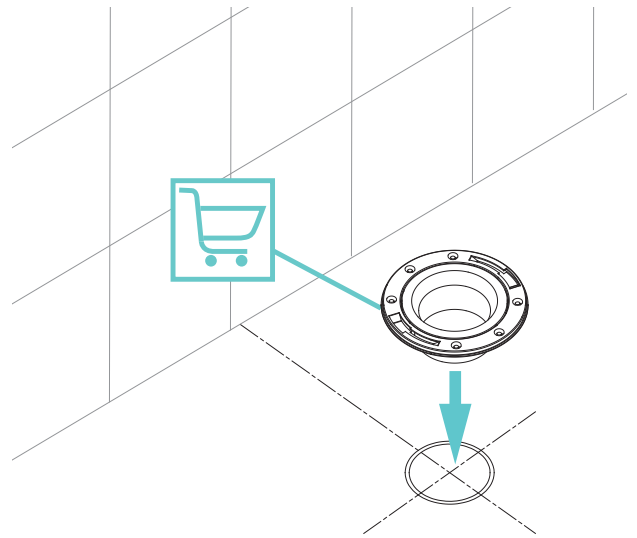
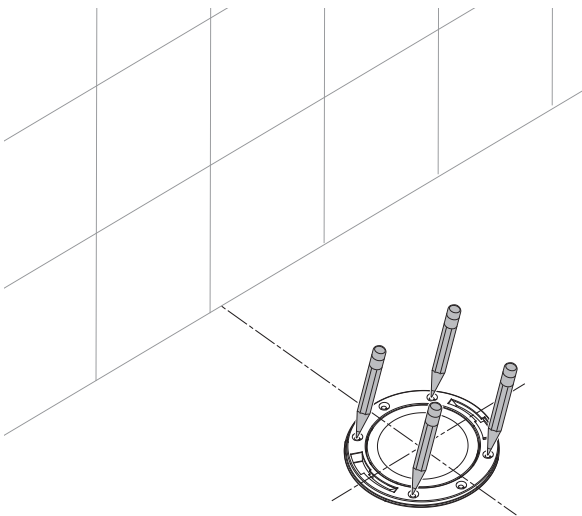
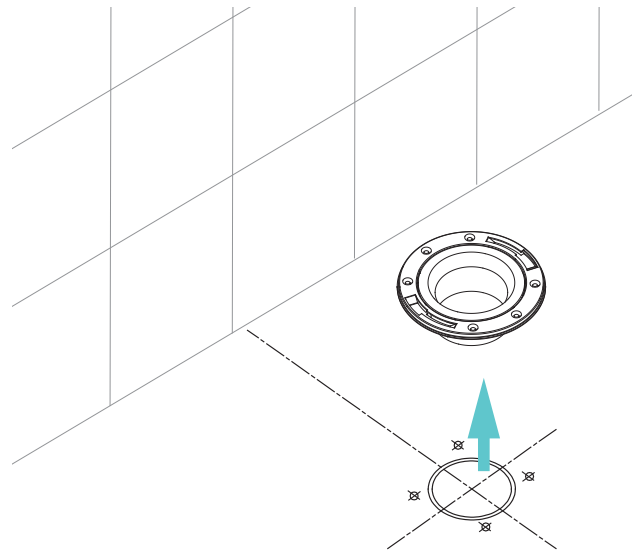
### INSTALLATION PREPARATIONS:

- Make sure that the floor tiles and the wall tiles have been paved, and that a pit tube and a water supply pipe are reserved.
- Reserve the installation position according to the dimensions given in the figure below (symbols \* refer to the recommended dimensions) to ensure normal use of the water supply pipe.
- Make sure the distance between center of the pit tube and the wall, rough-in distance should be 10".
- Turn on the water supply switch to drain water to flush away the mud and other foreign matters in the reserved water pipes to avoid blockage of the water pipes.

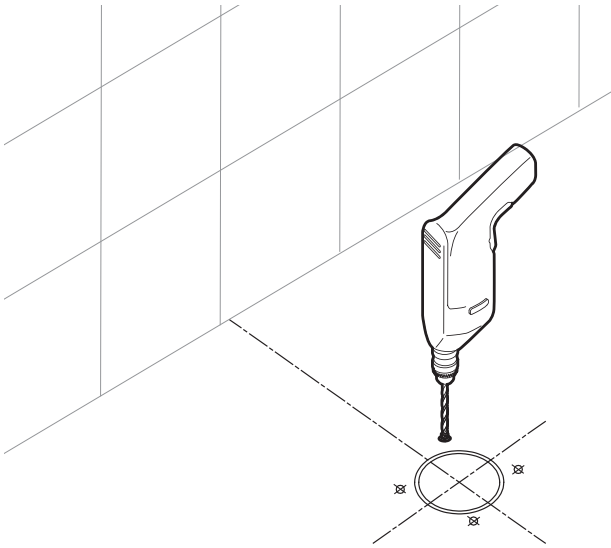


**INSTALLATION:**

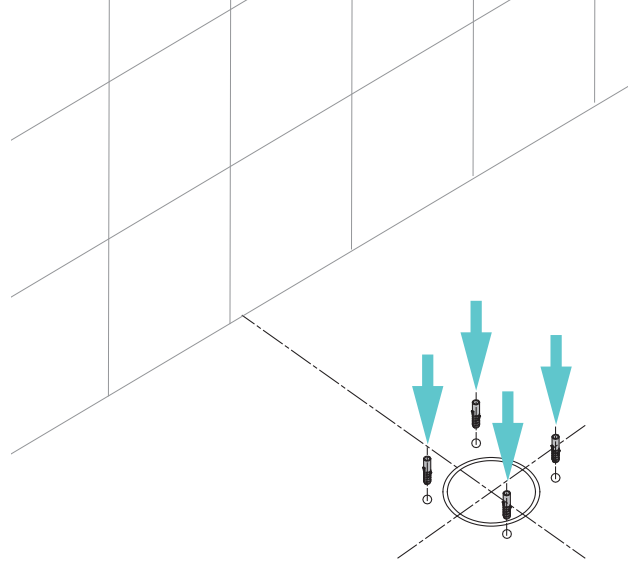
- 1** The minimum water pressure should be 15 PSI. To check your home's water pressure, turn on your angle valve and run water into a bucket for 10 seconds. There must be 0.5 gallons of water (1.9 L) accounted for after testing.

**2****3****4**

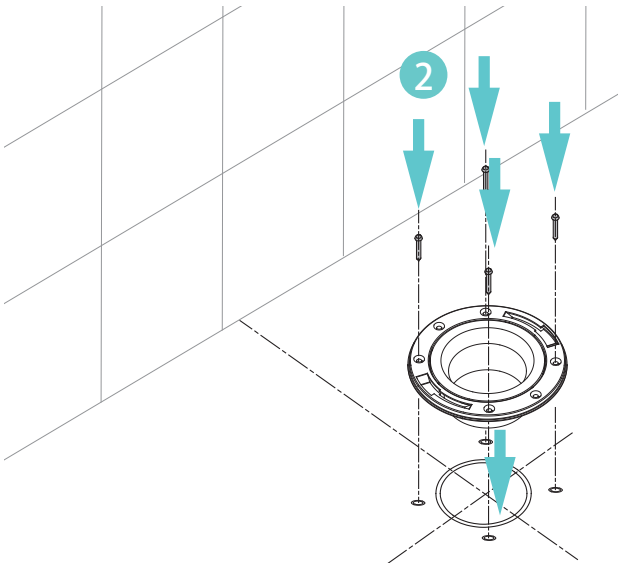
5



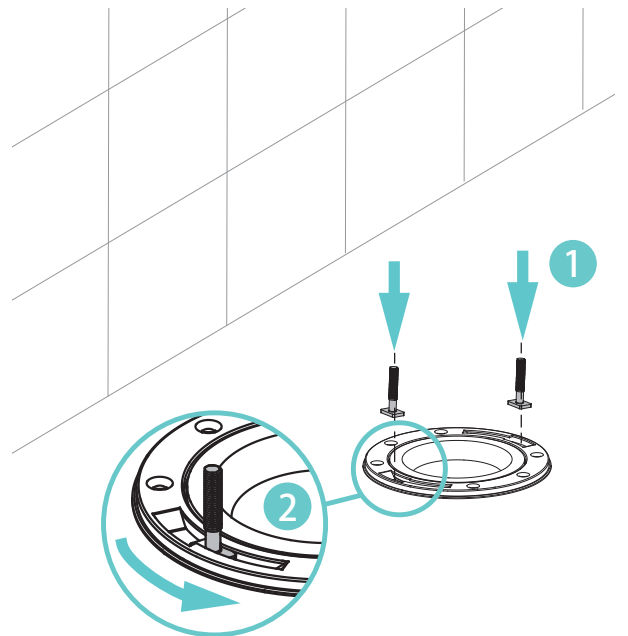
6



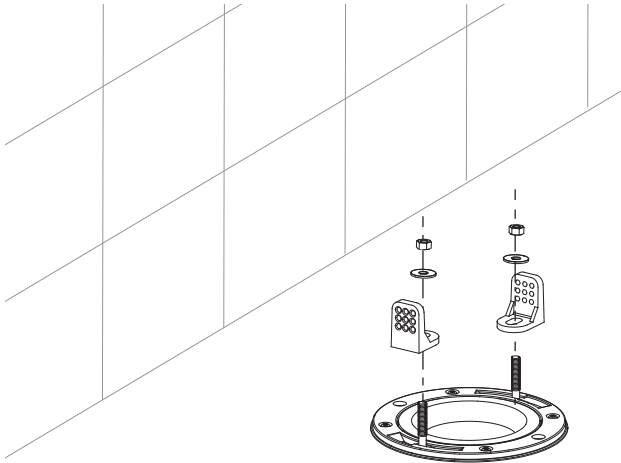
7



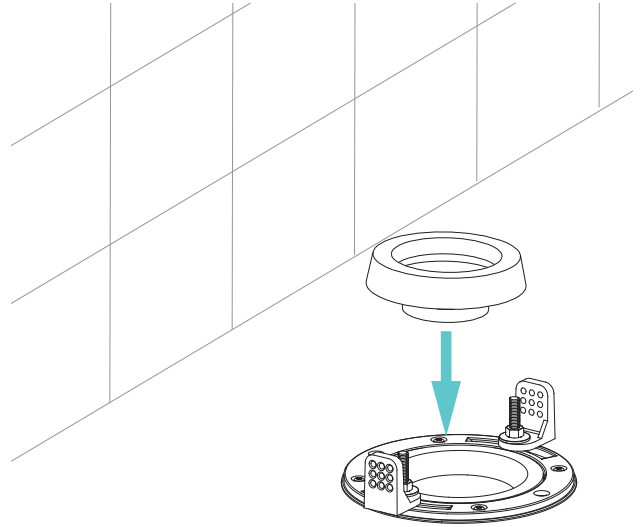
8



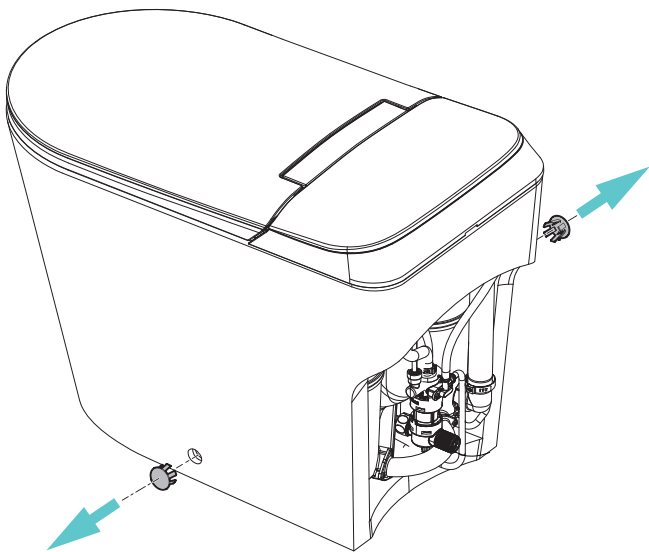
9



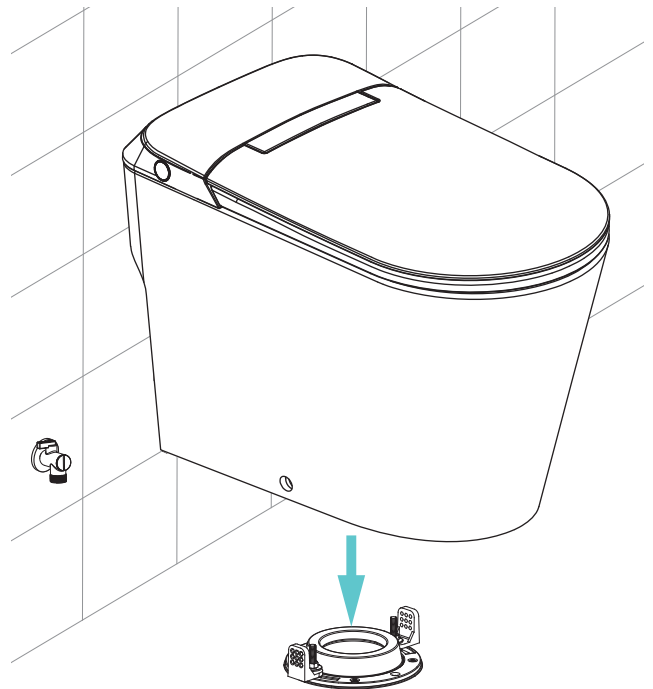
10



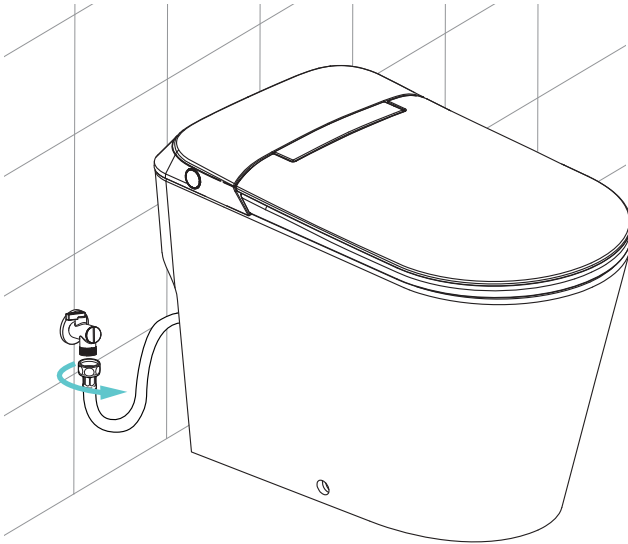
11



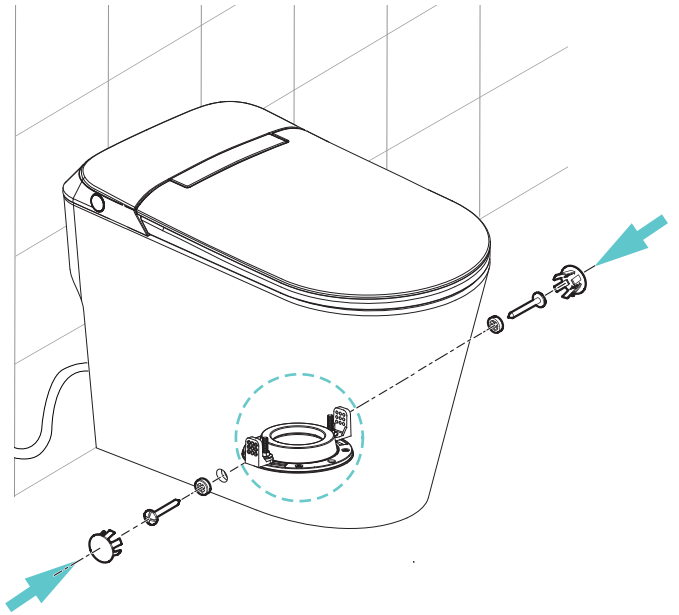
12



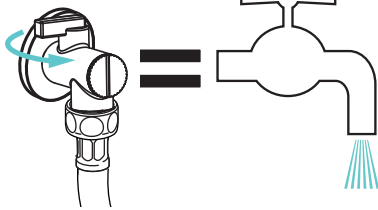
13



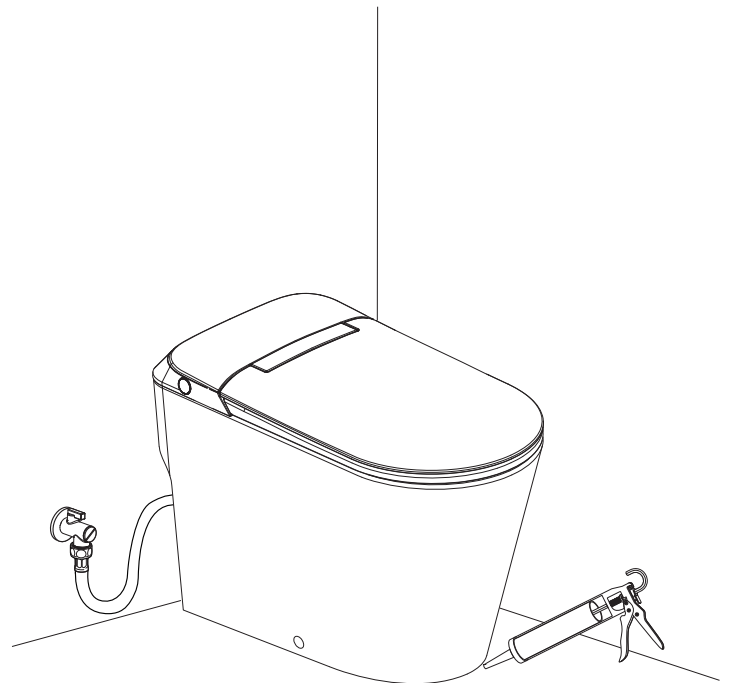
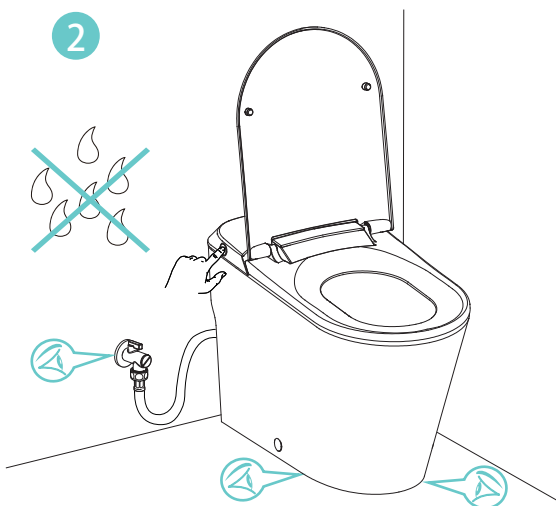
14

**TEST BEFORE USING**

1





2



After installation, make the product stand for 24h before use.

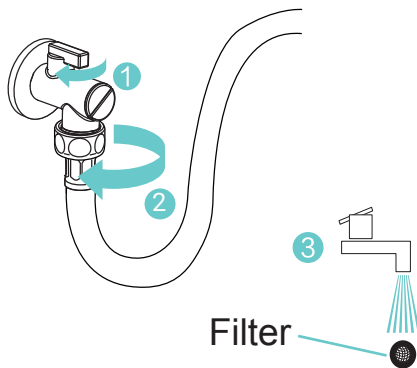
## OPERATION

### OPERATION KNOB

FUNCTION	SYMBOL	OPERATION	REMARKS
Flushing		Press the flush button 	/

## CLEANING & MAINTENANCE

### FILTER CLEANING



The filter needs to be cleaned at regular intervals. If the product fails in water supply, has a water supply pressure smaller than ordinary time or cannot work normally, please clean the filter first.

**!** In cleaning, make sure the water supply switch is off; after cleaning, mount the filter back and inspect and make sure there's no water leakage.

### SURFACE CLEANING

Use a smooth sponge or a piece of soft cloth dipped with a proper amount of room temperature water or neutral detergent and then wrung out to wipe the product surface. When cleaning any other part of the product, lift the top cover and the seat. Do not lay down the top cover or the seat until the detergent in the product has been completely flushed away, otherwise the evaporated detergent may corrode the product surface.

### WINTERIZATION

When in use, make sure the indoor temperature is not below 4°C (39.2°F). When the indoor temperature is below 4°C (39.2°F), stop using the product and operate as below.

- Turn off the angle valve to stop water supply. After that, drain the water in the tank to flush the product once.



If the product is maintained before drainage, the product may damage and leak. If the product is moved from a cold place to a warm place, the water in it will condensate. In this case, make the product stand for a couple of hours before use.

## TROUBLE SHOOTING

If it is believed in that the product has a fault, eliminate the fault as below. If the product cannot work normally after that, please contact the local repair center or reach us through our service hotline.

FAULT PHENOMENON	CAUSE ANALYSIS	SOLUTION
Water leakage	Loose hose connector	Turn off the water supply switch and check whether the connector between it (or the product) and the hose is tightened.
Flushing failure	Abnormal water supply	Check whether the water supply switch is on and whether the filter is blocked.
Insufficient flushing force	Too low water supply pressure	Please make sure the water supply pressure is above 0.1MPa (15PSI).
	Insufficient water in the tank	Please make sure the interval between each twice flushing is longer than 60s.

## WARNINGS

- When moving the product from a cold or humid environment to room temperature, please wait two hours until the condensed water is completely volatilized to prevent electrical short-circuiting.
- Do not place or store product where it can fall or be pulled into a tub or sink.
- Do not reach for an item that has fallen into the water.
- Heavy impact on ceramic leads to damage and water leakage.
- Never embed toilet base into cement, mortar or similar substances, this can lead to expansion cracking.
- Do not stand on seat, bowl or toilet lid.
- Do not use varnish thinners, gasoline, liquid chemicals, detergents, insecticides, toilet cleaners or scrubbing brushes, it may damage the product.
- Only use tap water or potable water to prevent chafing.
- Exposure to direct sunlight is not recommended.
- This product is equipped with a soft-close seat. Heavy pressing may damage the soft-close hinges.
- Do not lean against the toilet seat lid to avoid damage.
- Do not try flushing diapers, sanitary napkins or other unintended items to prevent clogging.
- If this product is malfunctioning, stop using immediately, turn off water supply, and contact Swiss Madison customer service.
- Before installation, disassembly, repair or maintenance, unplug the power and turn off water supply.
- Do not use in an environment below 32°F.
- This product is not intended for children without adult supervision.
- This product is not intended for individuals with reduced physical, sensory, or mental capabilities.
- To prevent damage cause by freezing, please take measures to increase the temperature of the toilet.

## ONE YEAR LIMITED WARRANTY

Swiss Madison® products are made with quality materials and excellent craftsmanship to provide our customers with beautiful, durable, long-lasting products. Should there be any defects in materials or craftsmanship under regular use that are discovered within the first year of installation, Swiss Madison® will provide replacement parts at no charge, or at its discretion, replace any product or part of the product that is deemed defective, under normal installation, use, service or maintenance. This warranty applies only to the original purchaser. Proof of purchase will be required in the instance of a claim.

Swiss Madison® recommends all installations of Swiss Madison® products to be conducted by a licensed, professional plumber or contractor. Swiss Madison® will not be held responsible for any damage or product failure due to improper installation, misuse, or failure to utilize a licensed professional for installation. Swiss Madison® is not responsible for any installation or removal costs.

### THIS ONE YEAR LIMITED WARRANTY WILL BE VOIDED IF:

- The installation recommendations were not followed by the installer
- The product has been moved from its initial place of installation
- The product has in any way been modified from its packaged state
- The product has been subjected to improper maintenance, abuse, misuse, excessive use of chemicals, accidents, or other damages, etc.

Swiss Madison® makes no implication that its products comply with any local building or plumbing codes. It is the consumer's responsibility and obligation to determine local code compliance prior to and during installation. This warranty extends only to the original purchaser and first consumer.

Swiss Madison® is not responsible for any special, incidental or consequential damages associated with the installation, replacement, return or use of the original purchaser's product. This includes, but is not limited to: freight costs, labor, travel time, lost profit, home damages and other contingent liabilities and costs (including, without limitation, costs associated with 'professionals' or 'experts', investigations, audits, analyses, attorneys and any other professional/hired services).

The Swiss Madison® warranty is a comprehensive and explicit limit of liability. All items not disclosed within the warranty are not addressable within the responsibility of Swiss Madison®. Certain states have variances regarding implied warranties; in those situations, we remain fully compliant.

### QUESTIONS OR CONCERNS?

Please contact us directly at 1-434-MADISON (623-4766)



#### **WARNING:**

Contents of your order may contain sharp and possibly other harmful pieces and may cause hazard to children and adults. Swiss Madison® is not responsible in any way for personal damages.