

Features

- 0.125 gpf (0.47 lpf)
- Activation distance is factory-set
- Chloramine and chlorine resistance on all rubber components exposed to waterway
- Engineered for optimal performance with KOHLER® commercial fixtures
- 125-micron filter protects internal components
- No external flush volume adjustment ensures water conservation
- 24-hour automatic sentinel flush keeps trapway fresh
- Mechanical override enables flushometer to be used manually even during a power outage
- Powered by a 30 year/875,000 cycle hybrid energy cell, based on 72 uses per day
- Less stop valve and tailpiece
- Patented piston technology for superior flush volume accuracy

Material

- Brass construction with durable Polished Chrome finish

Technology

- Flushometer activates when hand is waved over electronic infrared WAVE sensor

Installation

- Intended for urinal installations with 3/4" (19 mm) top spud coupling connection

Recommended Products/Accessories

- 1421939 Flushometer Arm Extension Kit
- 1509698 Pressure Gauge Kit, 1/8"

Optional Products/Accessories

- GP1118986 Flushometer Extension Kit
- K-10313 Flushometer 12" rough-in kit



ADA **CSA B651** **OBC**

Codes/Standards

ASME A112.18.1/CSA B125.1
 ASSE 1037/ASME A112.1037/CSA B125.37
 ADA
 ICC/ANSI A117.1
 CSA B651
 OBC

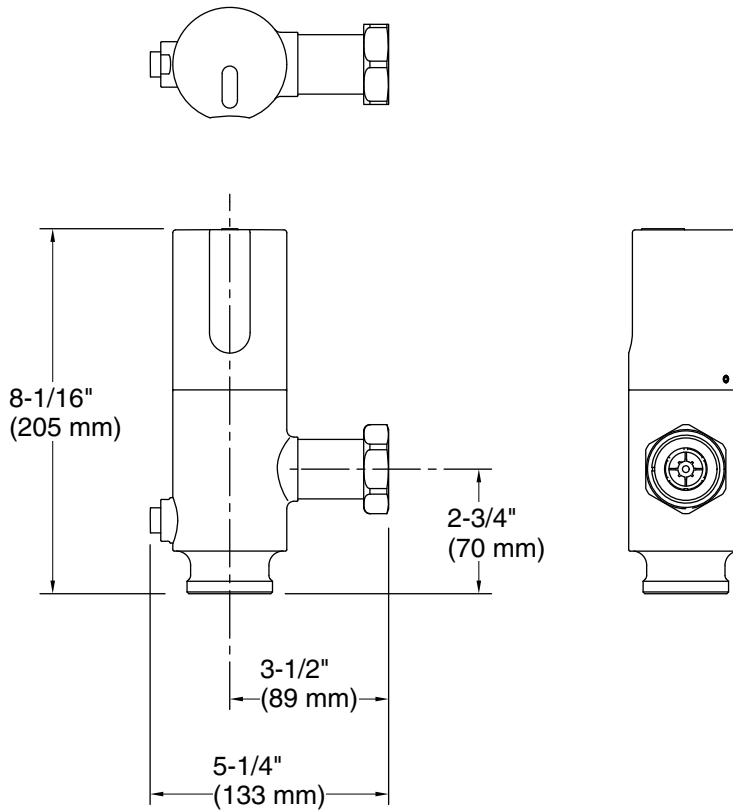
KOHLER® One-Year Limited Warranty

See website for detailed warranty information.

Available Colors/Finishes

Color tiles intended for reference only.

Color	Code	Description
	CP	Polished Chrome



Technical Information

All product dimensions are nominal.

Spout:

Pressure/fixture Supply Requirements

Fixture pressure	80 psi (551.6 kPa)
max (static):	
Fixture pressure min	25 psi (172.4 kPa)
(static):	
Min flowing	25 psi (172.4 kPa)
pressure:	
Min flow rate:	25 gpm (94.6 lpm)

Notes

Install this product according to the installation instructions.

ADA, OBC, CSA B651 compliant when installed to the specific requirements of these regulations.