

# PC5961E Audio Station Instruction Sheet

*This sheet shall be used in conjunction with the associated Audio Verification Module Installation Manual part# 29009400.*

## Specifications

Operating Temperature Range	-10° to 55°C (14° to 131 °F); UL/ULC: 0° to 49°C
Humidity	up to 93% RH, non condensing
Input Rating	7.6 - 8.6 VDC/30mA(min) -100mA (max)
Wiring Distance (all audio stations)	152m (500ft)
Dimensions	115mm x 60mm x 12mm (4.5" x 2.4" x 0.5")
Weight	.80g
Audio Range	7.62m (25ft)
Compatible Audio Verification Modules	HSM2955, HSM2955R

## Mounting

1. If required, remove the front cover from the backplate as follows:
  - a. Insert a small slotted screw driver in one of the slots indicated in Figure 1.
  - b. Gently pry the cover from the backplate.
  - c. Repeat this operation on the remaining slot. Lift cover free of backplate.
2. Determine the desired location.
3. Position the backplate, then mark the screw locations (see Fig. 2).

**CAUTION!** DSC recommends the use of wall anchors when mounting directly onto a wall.

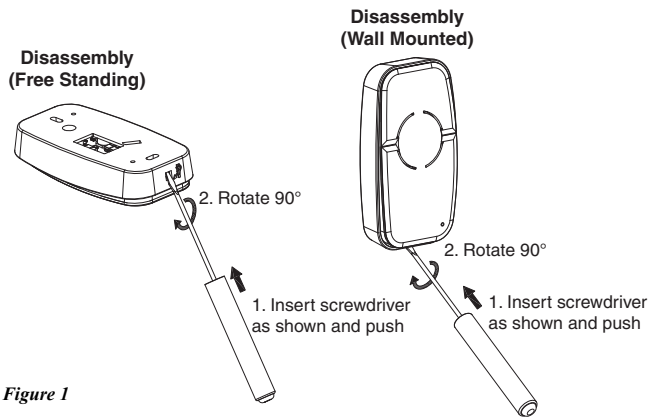


Figure 1

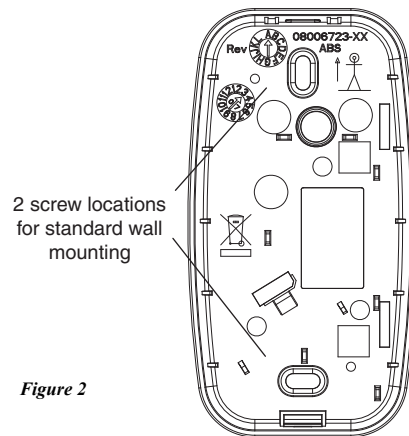


Figure 2

## Wiring

1. Route wiring as required (see Figure 3).
2. Secure backplate to wall using the appropriate hardware.
3. Wire unit in accordance with the HSM2955 wiring instructions.
4. Place front cover over backplate. Gently press until cover locks in place with an audible click.
5. Power up system then verify operation.

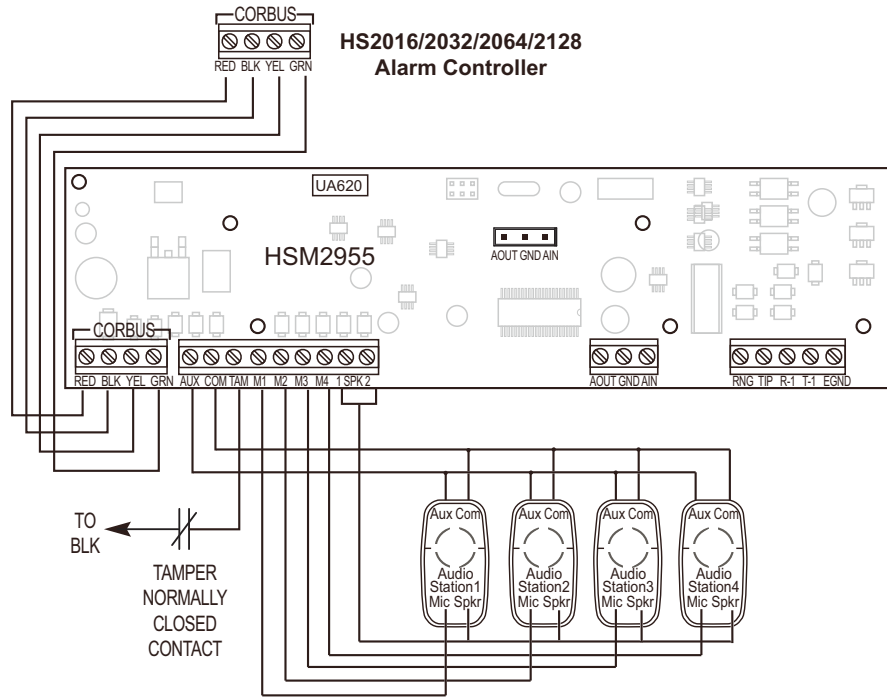


Figure 3

NOTE: Any combination of audio stations can be used as long as the maximum HSM2955 AUX output current rating is not exceeded.

### FCC / IC STATEMENTS

**CAUTION:** Changes or modifications not expressly approved by Digital Security Controls could void your authority to use this equipment.

This equipment generates and uses radio frequency energy and if not installed and used properly, in strict accordance with the manufacturer's instructions, may cause interference to radio and television reception. It has been type tested and found to comply with the limits for Class B device in accordance with the specifications in Subpart "B" of Part 15 of FCC Rules, which are designed to provide reasonable protection against such interference in any residential installation. However, there is no guarantee that interference will not occur in a particular installation. If this equipment does cause interference to television or radio reception, which can be determined by turning the equipment off and on, the user is encouraged to try to correct the interference by one or more of the following measures: (i) Re-orient the receiving antenna; (ii) increase the separation between the equipment and receiver; (iii) connect the equipment into an outlet on a circuit different from that to which the receiver is connected. If necessary, the user should consult the dealer or an experienced radio/television technician for additional suggestions. The user may find the following booklet prepared by the FCC helpful: "How to Identify and Resolve Radio/Television Interference Problems". This booklet is available from the U.S. Government Printing Office, Washington, D.C. 20402, Stock # 004-000-00345-4.

CAN ICES-3 (B) / NMB-3 (B)

# DSC

From Tyco Security Products

