

# SB6036L/R – ICON SHOWER PANS

60 x 36 x 3 inches



## FEATURES

- ArmorCore™ slip resistant, textured bottom
- Left or right hand drain
- Low 3" threshold
- Integrated weep holes
- Sloped threshold ensures water containment
- Pre-leveled legs, no mortar bed required
- Sleek minimalist design
- AcrylX™ applied acrylic surface
- Lifetime limited warranty

## OPTIONS

- Brass drain assembly and cover

## AQUATIC ADVANTAGE

- National distribution
- 7 manufacturing facilities
- Private fleet
- Centralized customer service
- Field support

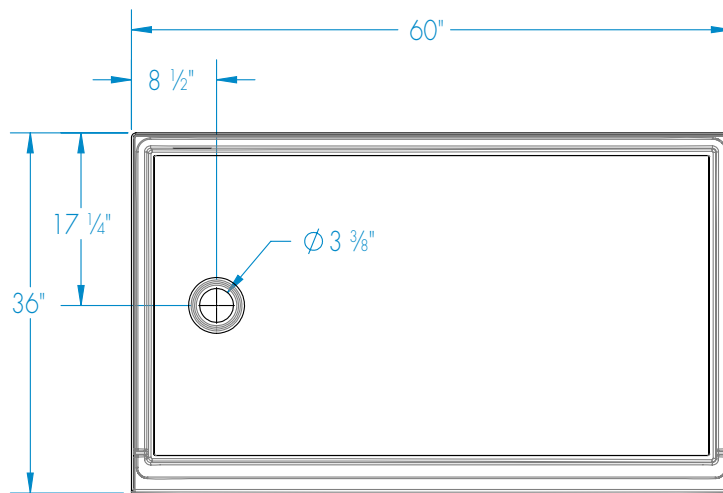
## COLOR OPTIONS

Stock	Upgraded
White	Biscuit Bone

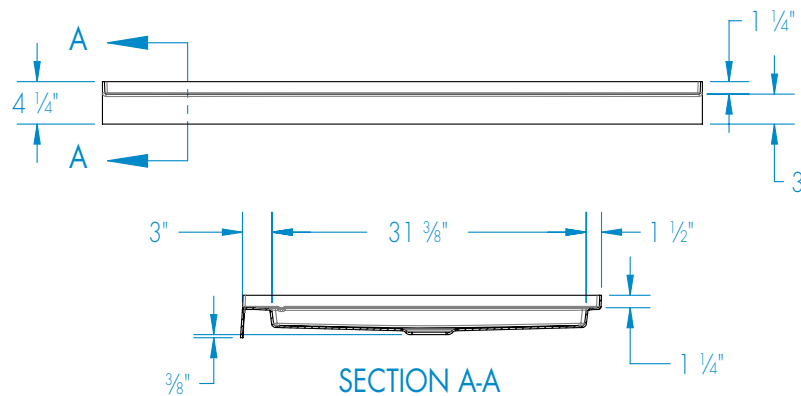


# SB6036L/R

60 x 36 x 3  
inches



Left-Hand drain shown



**FEATURES** Dimensional Tolerance  $\pm 3/8"$ . Dimensions needed for site preparation should be measured from the unit. Aquatic assumes no responsibility for preparatory work.

Model #	Material	Drain	Net Wt. lbs.	Pkg. Wt. lbs.
Shower Pan #SB6036L/R	AcrylX™	Left or Right Hand	77	—

## DIMENSIONS

Specifications	inches
Width: Overall / Net	60
Depth: Overall / Net	36
Height: Overall / Net	4 1/4 / 3
Enclosure Opening	—
Skirt Height	3
Drain Rough-In (from Back Wall)	17 1/4
Drain Rough-In (from Side Wall)	8 1/2
Drain: Diameter / Clearance	3 3/8 / 3/8

## FRAMING DIMENSIONS inches

Type	D Depth	W Width	H Height	A	B	C
Alcove	36	60	—	Box Out	8 1/2	17 1/4

