

## Binding Post QuickPort® Couplers

### APPLICATION

Binding Post QuickPort Couplers provide connectivity for workstation cabling for speaker wire. The couplers snap into any QuickPort housing: flush- and surface-mount outlets, Multimedia Outlet System (with adapter), Decora® Inserts, patch panels, and patch blocks.



### SPECIFICATION

Binding post couplers for audio connectivity shall be an individual snap-in style screw terminal to 5-way binding post adapter. The coupler shall fit all other Leviton QuickPort plates, panels, and housings. Couplers shall be available with ivory, white, light almond, black, or brown modules to match Leviton plates and housings. Couplers shall be available with black or red stripes. Couplers shall be UL listed. All plastics used in construction of the module bodies shall be fire retardant.

### FEATURES

- Compatible with Banana Jack couplers
- Compatible with all QuickPort wallplates, housings, and panels
- Available in a variety of colors to match housings or wallplates
- Screw Terminal

### DESIGN CONSIDERATIONS

- Check clearance behind proposed location of bulkhead module to ensure space for proper bend-radius of cabling media

### STANDARDS COMPLIANCE

- cULus Listed (UL 1863 , CAN/CSA-C22.2 No. 182.4-1990)
- Recommended wire size: 18 to 12 AWG

### PHYSICAL SPECIFICATIONS

Dimensions: See page two

Materials: Coupler bodies are high-impact, fire-retardant plastic rated UL 94V-0  
Binding Post is gold flash-plated 5-15 µm

### COUNTRY OF ORIGIN

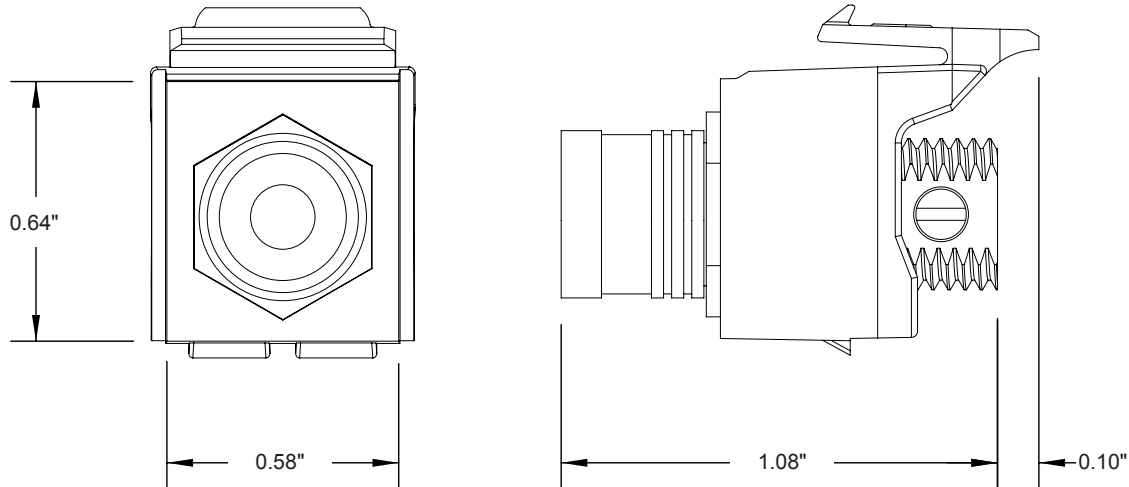
China

### WARRANTY INFORMATION

For a copy of Leviton product warranties, visit [www.leviton.com/warranty](http://www.leviton.com/warranty).

**ELECTRONIC FILES**

For CAD files, typical specs, or technical drawings (.DXF, .DWG), visit [www.leviton.com](http://www.leviton.com).



40833-Bxx

**PART NUMBERS**

Description	WHITE	LT. ALMOND	IVORY	BLACK	BROWN
Binding Post QuickPort® Coupler, black stripe	40833-BWE	40833-BTE	40833-BIE	40833-BEE	40833-BBE
Binding Post QuickPort Coupler, red stripe	40833-BWR	40833-BTR	40833-BIR	40833-BER	40833-BBR

