

# BRIZO®

## ROMAN TUB FAUCET

- Vettis® Bath Collection
- Three Hole Installation (T67388)
- Four Hole Installation (T67488)

### STANDARD SPECIFICATIONS:

- Hand shower max flow rate 1.75 gpm @ 80 psi, 6.6 L/min @ 550 kPa
- Trim Only for two handle Roman Tub faucet for concealed mounting
- Temperature and volume controlled with handles
- Rough-In kit must also be ordered to complete installation (R64707 for four hole and R62707 for three hole). There are separate specification sheets on each rough-in kit if more details are required.
- Hand shower includes double check valves for backflow prevention (T67488-▲)
- Accommodates up to 2 1/2" deck thickness
- 60" - 82" (1524 mm - 2083 mm) stretchable finished metal hose.

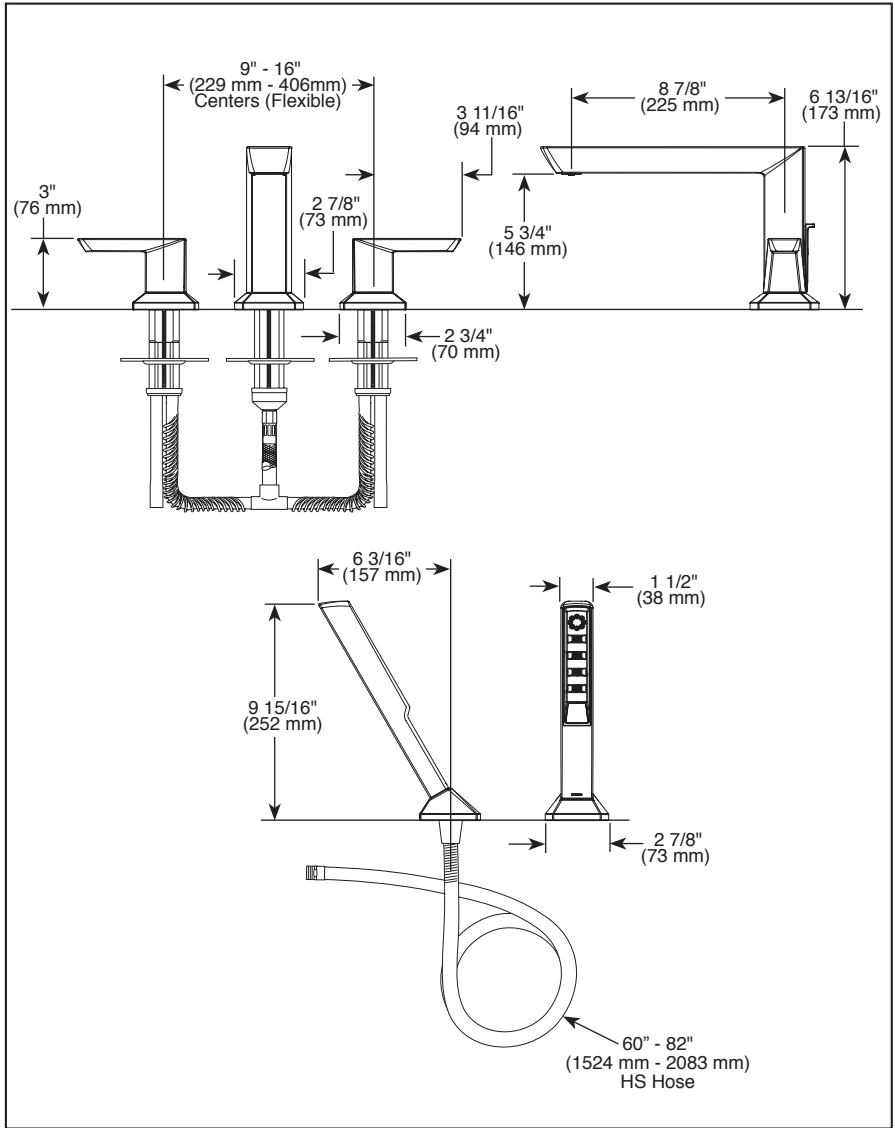
### WARRANTY

- Parts and Finish - Lifetime limited warranty; or for commercial purchasers, 10 years for multi-family residential (apartments and condominiums) and 5 years for all other commercial uses, in each case from the date the product is received by the original purchaser or their authorized representative (installation contractor, etc.).
- Please go to [www.brizo.com](http://www.brizo.com) for the complete details of our limited warranty.



### COMPLIES WITH:

- ASME A112.18.1 / CSA B125.1
- EPA WaterSense® - Applies to T67488-▲ only
- ♿ ICC/ANSI A117.1- Valve control only



▲ Designate proper finish suffix

Brizo Kitchen & Bath Company reserves the right (1) to make changes in specifications and materials, and (2) to change or discontinue models, both without notice or obligation. Dimensions are for reference only. See current full-line price book or [www.brizo.com](http://www.brizo.com) for finish options and product availability.