

USB2004EXT
USB2004EXTGB
Instruction Manual

USB Extender

**4-Port USB 2.0 Extender over
Cat5 or Cat6**

StarTech.com 
Making hard-to-find easy!®

FCC Compliance Statement

This equipment has been tested and found to comply with the limits for a Class B digital device, pursuant to part 15 of the FCC Rules. These limits are designed to provide reasonable protection against harmful interference in a residential installation. This equipment generates, uses and can radiate radio frequency energy and, if not installed and used in accordance with the instructions, may cause harmful interference to radio communications. However, there is no guarantee that interference will not occur in a particular installation. If this equipment does cause harmful interference to radio or television reception, which can be determined by turning the equipment off and on, the user is encouraged to try to correct the interference by one or more of the following measures:

- Reorient or relocate the receiving antenna.
- Increase the separation between the equipment and receiver.
- Connect the equipment into an outlet on a circuit different from that to which the receiver is connected.
- Consult the dealer or an experienced radio/TV technician for help.

Use of Trademarks, Registered Trademarks, and other Protected Names and Symbols

This manual may make reference to trademarks, registered trademarks, and other protected names and/or symbols of third-party companies not related in any way to StarTech.com. Where they occur these references are for illustrative purposes only and do not represent an endorsement of a product or service by StarTech.com, or an endorsement of the product(s) to which this manual applies by the third-party company in question. Regardless of any direct acknowledgement elsewhere in the body of this document, StarTech.com hereby acknowledges that all trademarks, registered trademarks, service marks, and other protected names and/or symbols contained in this manual and related documents are the property of their respective holders.

Table of Contents

Introduction	1
Packaging Contents.....	1
System Requirements	1
Local Unit.....	2
Remote Unit.....	2
Installation	3
Hardware Installation.....	3
Driver Installation.....	3
Specifications	4
Technical Support	5
Warranty Information	5

Introduction

StarTech.com's USB 2.0 extender offers a simple USB extension, allowing you to place four USB 2.0 devices up to 100m/330ft away from the computer - 20 times longer than normal USB cable length restrictions. The USB extender is comprised of both the local and remote units, which can be connected together using standard UTP Cat5, Cat5e, or Cat6 Ethernet cabling.

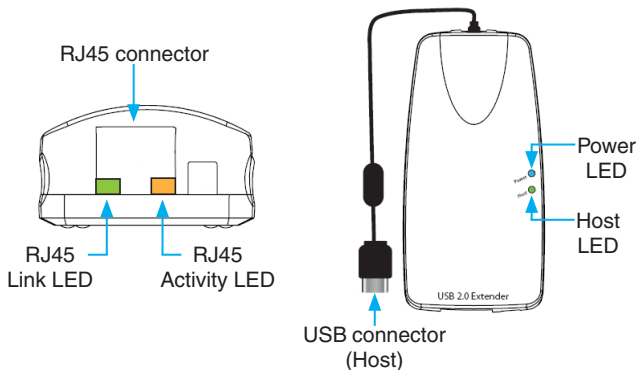
Packaging Contents

- 1 x USB 2.0 Extender Local Unit
- 1 x USB 2.0 Extender Remote Unit
- 1 x Power Adapter
- 1 x Instruction Manual

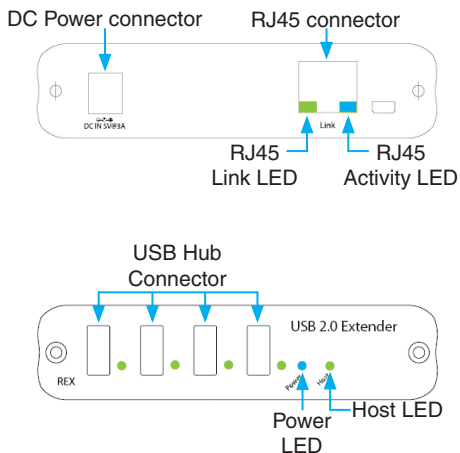
System Requirements

- USB enabled computer system with available port
- USB compliant operating system
- Available power outlet at remote location

Local Unit



Remote Unit



Installation

Hardware Installation

1. With the host computer system powered on, connect the Local Unit directly to a USB port on the host computer system via the integrated USB cable. The Power LED should light up.
2. Connect the UTP (CAT5e, CAT6, etc.) cable to the RJ45 connector on the Local Unit.
3. Connect the other end of the UTP cable to the RJ45 connector on the Remote Unit.

NOTE: Ensure that the total length of cable between the Local and Remote units is 100m or less. The cabling must also not go through any networking equipment (e.g. router/switch/hub/etc.).

4. Connect the power adapter to the Remote Unit. The Power LED should light up and the Host LED should start flashing. The host computer system should detect a USB hub as being connected, and the Host LED on both units should light up steady.
5. Plug the USB peripheral(s) into the USB Hub connector(s) on the Remote Unit. The device(s) should be detected as if connected directly to the host computer system.
6. Install the drivers for the connected USB peripheral(s) as necessary.

Driver Installation

The USB Extender does not require driver installation for any operating system that supports USB, as the USB Extender is a pass-through hub, so is only seen as a standard USB hub.

Specifications

	USB2004EXT USB2004EXTGB
Bus Interface	USB 2.0
Connectors (Local Unit)	1 x RJ45 1 x USB type A male
Connectors (Remote Unit)	1 x RJ45 4 x USB type A
LEDs (Local Unit)	1 x Power 1 x Host
LEDs (Remote Unit)	1 x Power 1 x Host 4 x USB Detect
Maximum Data Transfer Rate	USB 2.0: 480Mbps
Maximum Cable Distance	100m / 330ft
USB Power (per port)	Remote Unit: 500mA
Integrated Cable Length	Local Unit: 6"
Power Adapter	5VDC, 3A
Dimensions (Local Unit)	44.0mm x 87.0mm x 24.0mm
Dimensions (Remote Unit)	110.0mm x 69.0mm x 28.0mm
Weight	Local Unit: 60g Remote Unit: 200g

Technical Support

StarTech.com's lifetime technical support is an integral part of our commitment to provide industry-leading solutions. If you ever need help with your product, visit www.startech.com/support and access our comprehensive selection of online tools, documentation, and downloads.

Warranty Information

This product is backed by a one year warranty.

In addition, StarTech.com warrants its products against defects in materials and workmanship for the periods noted, following the initial date of purchase. During this period, the products may be returned for repair, or replacement with equivalent products at our discretion. The warranty covers parts and labor costs only. StarTech.com does not warrant its products from defects or damages arising from misuse, abuse, alteration, or normal wear and tear.

Limitation of Liability

In no event shall the liability of StarTech.com Ltd. and StarTech.com USA LLP (or their officers, directors, employees or agents) for any damages (whether direct or indirect, special, punitive, incidental, consequential, or otherwise), loss of profits, loss of business, or any pecuniary loss, arising out of or related to the use of the product exceed the actual price paid for the product. Some states do not allow the exclusion or limitation of incidental or consequential damages. If such laws apply, the limitations or exclusions contained in this statement may not apply to you.



StarTech.com has been making “hard-to-find easy” since 1985, providing high quality solutions to a diverse IT and A/V customer base that spans many channels, including government, education and industrial facilities to name just a few. We offer an unmatched selection of computer parts, cables, A/V products, KVM and Server Management solutions, serving a worldwide market through our locations in the United States, Canada, the United Kingdom and Taiwan.

Visit **www.startech.com** today for complete information about all our products and to access exclusive interactive tools such as the Cable Finder, Parts Finder and the KVM Reference Guide.