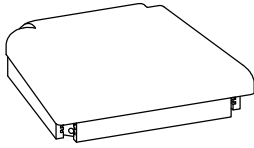


# ASSEMBLY INSTRUCTION

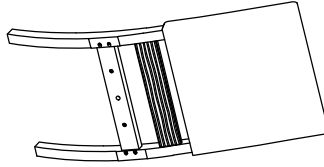
## DINING CHAIR

**A** Seat Frame Cushion



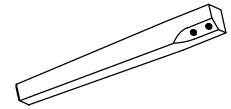
1 PC

**B** Back Leg Frame



1 PC

**C** Front Leg



2 PCS

**D** Bolt  
5/16" x 1-3/4"



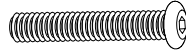
2 PCS

**G** Spring Washer  
5/16"



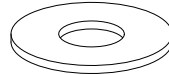
10 PCS

**E** Bolt  
5/16" x 2-1/2"



4 PCS

**H** Flat Washer  
5/16" x 22 x 2mm



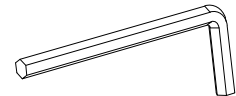
10 PCS

**F** Bolt  
5/16" x 3-1/4"

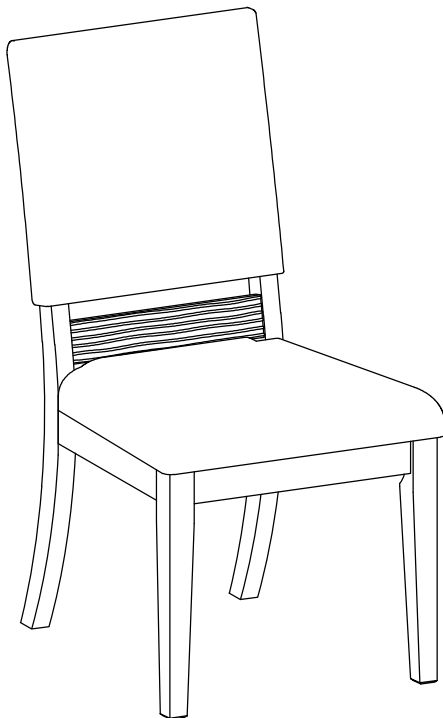


4 PCS

**I** Allen Wrench  
5/16"

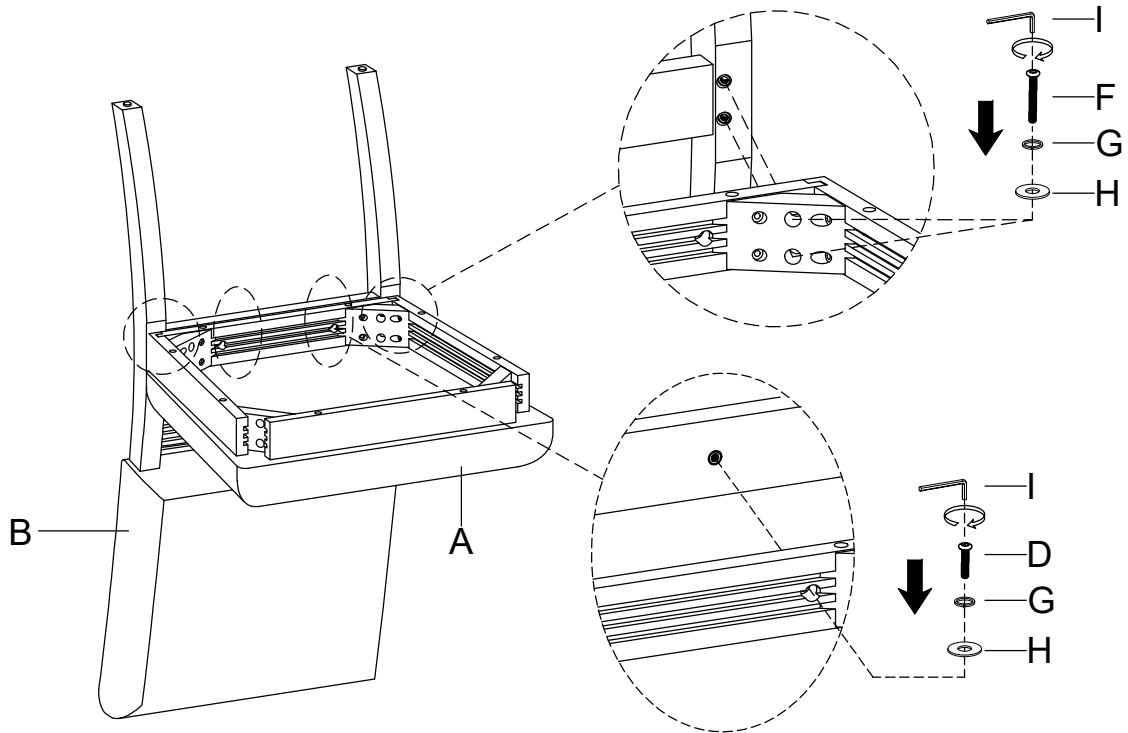


1 PC

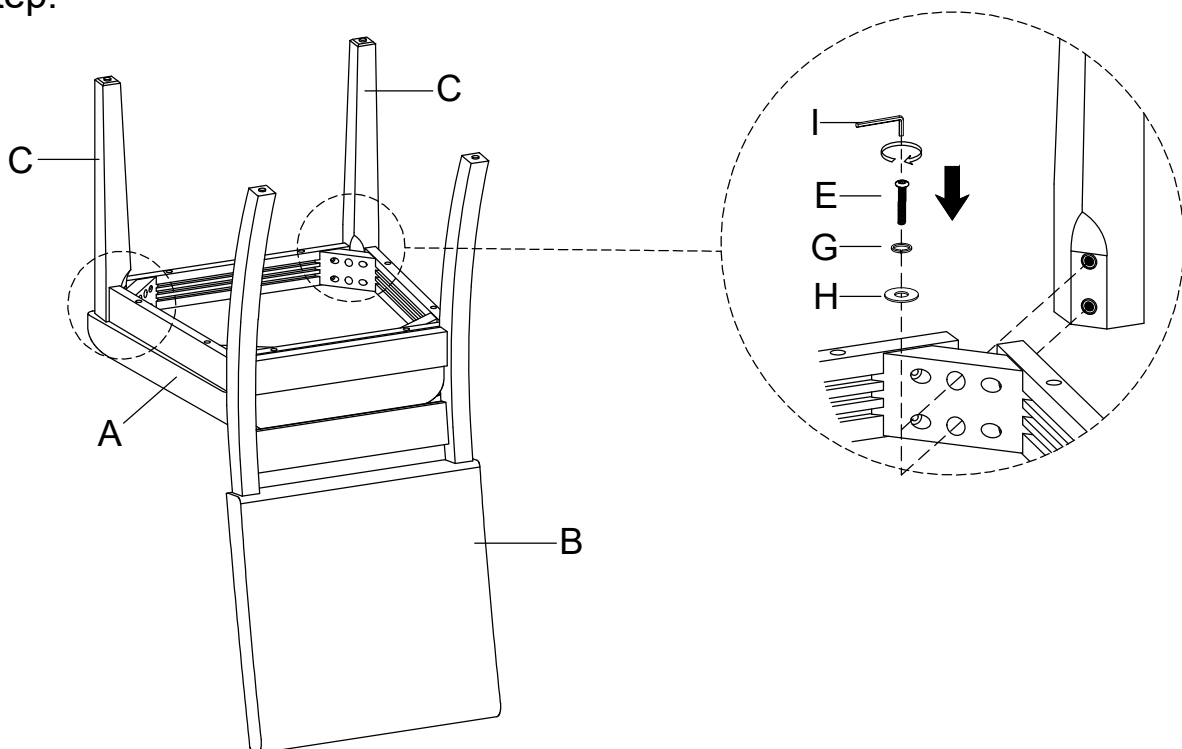


This page lists all the contents included in the box. Please take the time to identify the hardware as well as the individual components to this product. As you unpack and prepare for assembly, place the contents on a carpeted or padded area to protect them from damage.

- 1** Attach the Seat Frame Cushion (A) to the Back Leg Frame (B) using Bolt (D), Spring Washer (G) and Flat Washer (H) at the two center points, and using Bolt (F), Spring Washer (G) and Flat Washer (H) at the two corners with the Allen Wrench (I).



- 2** Attach the Front Leg (C) to the Seat Frame Cushion (A) using Bolt (E), Spring Washer (G) and Flat Washer (H) with Allen Wrench (I). Fully tighten all the bolts in this step.



## Cleaning & Care

Treat surfaces with care. Surfaces are resistant to scratches but are not scratch resistant. Clean surfaces with a dry or damp soft cloth. Do not use abrasive cleaners. Hardware may loosen over time. Periodically check that all connections are tight.