

I. Introduction

The On-Q/Legrand “F” To Twin Lead Adapter, PN 364774-01 (see **Figure 1**), provides a convenient method of adapting stranded cable such as used with Line Level audio or IR to a coaxial cable or jack. This adapter can be utilized with wall plates that have “F” to RCA inserts installed when needing to convert from another connection that has screw terminals. Applications that utilize line level outputs designed for stranded wire such as active volume controls and the stranded subwoofer output option of the On-Q Home Entertainment Connection Center (HECC) can be converted to a Coaxial run via this adapter.



Figure 1

II. Description

The On-Q “F” to Twin-lead Adapter consists of two 20 gauge cables attached to a male coaxial “F” connector.

III. Installation Examples

- A. To drive a sub-woofer as part of a Home Theater installation utilizing the On-Q HECC (see **Figure 2**), run a Cat 5 or shielded audio cable from the Home Entertainment Connection Center location to the location with the wall plate containing an “F” to RCA Insert (sub-woofer connection).
 1. Secure the cable leads to the Sub-woofer screw terminals.
 2. Secure the other end of the cable to the “F” to Twin Lead Adapter.
 3. Screw the “F” connector end of the “F” to Twin Lead Adapter to the rear of the “F” to RCA Insert.
 4. The Sub-woofer’s two RCA inputs are connected to the RCA insert with a “Y” RCA cable.
- B. To drive a sub-woofer from a volume control (typically in the same room), run a Cat 5 or pair of shielded audio cables from the Volume Control location (see **Figure 3**) to the location with the wall plate containing an “F” to RCA Insert (sub-woofer connection).
 1. Secure the cables to the Volume Control press to insert terminals.
 2. Secure the other end of the cables to the “F” to Twin Lead Adapters.
 3. Screw the “F” connector end of the “F” to Twin Lead Adapter to the rear of the “F” to RCA Inserts.
 4. The Sub-woofer’s two RCA inputs are connected to the RCA inserts with an RCA audio cable.

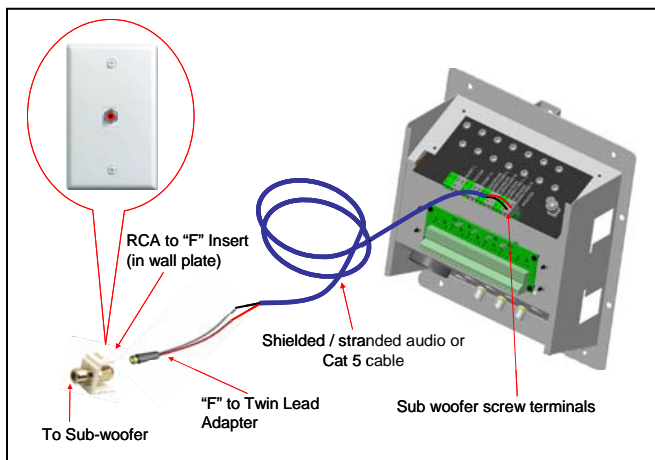


Figure 2

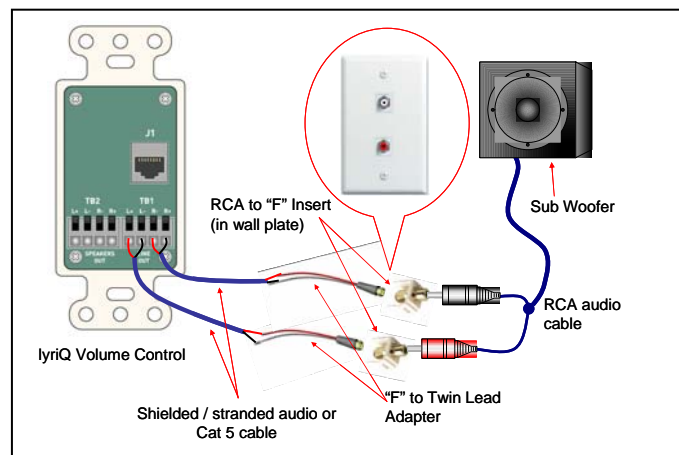


Figure 3