

# Assembly & Installation Instructions

**CAUTION:** Read instructions carefully and turn electricity off at main circuit breaker panel before beginning installation.

## 3951

**WARNING -** If any Special Control Devices are used with this Fixture, Follow the Instructions Carefully to assure full compliance with N.E.C. requirements. If there are any questions, contact a Qualified Electrical Contractor.

**CAUTION -** All glass is fragile, use care when handling Glass component(s) and or Lamp(s).

**WARNING -** This product contains chemicals known to the State of California to cause cancer, birth defects and /or other reproductive harm. Thoroughly wash hands after installing, handling, cleaning, or otherwise touching this product.

**ASSEMBLY STEPS:**

**PASOS PARA ENSAMBLAR:**

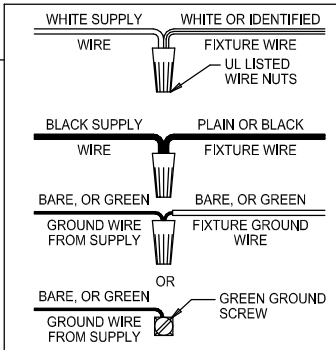
**MODE D'ASSEMBLAGE:**

1. D,E → A
2. B,A → C
3. GG,HH,H → D
4. HH → H (TO LOCK / APRETAR / À VERROUILLER)
5. F → P,N,M
6. P → Q
7. M → N
8. J → M
9. L,K → J
10. J → H
11. F → J,L,K,H,D
12. F → G
13. K,L → H
14. S → R
15. U → T
16. W,S,Y,Z,AA → U
17. V,BB,CC,DD → U
18. EE,FF → U

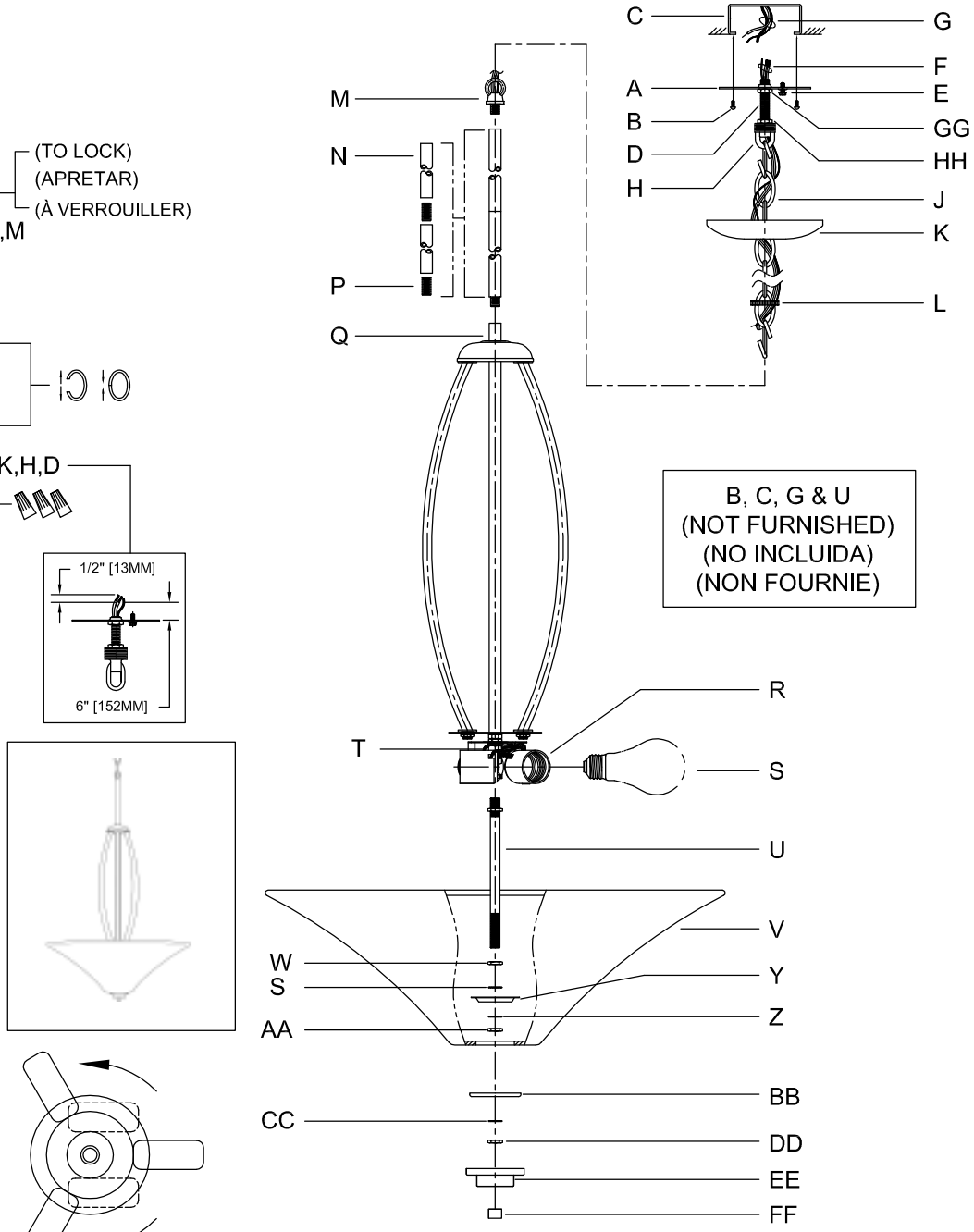
ADJUST HEIGHT WITH "D"  
H → A (TO LOCK)

AJUSTA LA ALTURA CON "D"  
H → A (APRETAR)

RÉGLEZ LA HAUTEUR AVEC "D"  
H → A (À VERROUILLER)



Attach (Q), (R) to achieve overall desired length.  
Una (Q),(R) para lograr la longitud deseada.  
Joignez (Q),(R) pour obtenir la longueur voulue.



B, C, G & U  
(NOT FURNISHED)  
(NO INCLUIDA)  
(NON FOURNIE)

**DIAGRAM - A**

- Adjust Arms, if required, as shown in diagram A.
- Ajuste los brazos, como necesario, según el diagrama A.
- Ajustez les branches, comme nécessaire, selon le diagramme A.

