







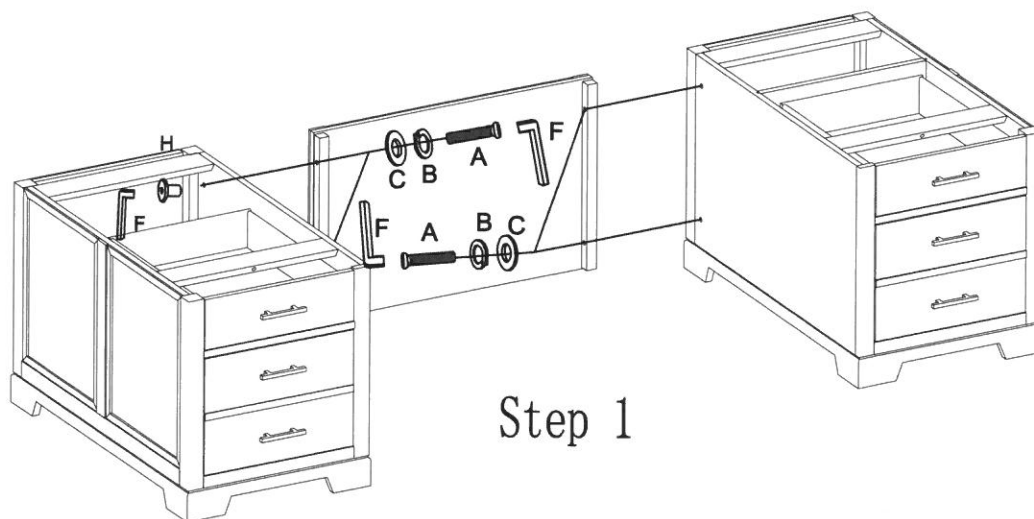
# HEKMAN

## ASSEMBLY INSTRUCTIONS

79190 Junior Executive Desk

A HOWARD MILLER COMPANY

A		5/16 * 32mm	4Pcs
B		5/16	6Pcs
C		5/16*19	6Pcs
F		4mm*80mm	2Pc
G		Key	4Pcs
D		5/16" * 4"	2 Pcs
H			4Pcs



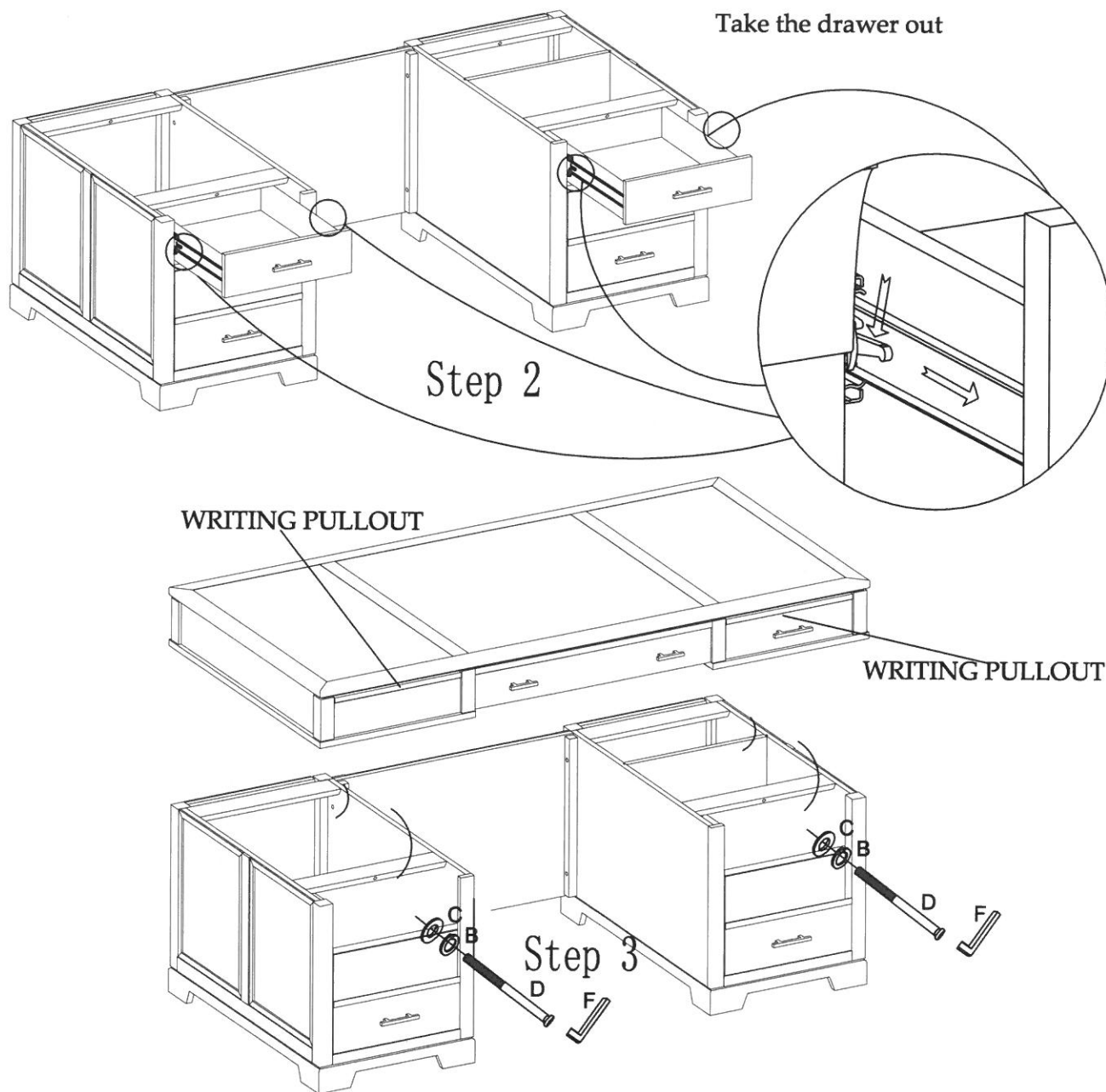
**Step 1: Assemble the left and right bases and the center panel with Bolt (A), Lock Washer (B) and Washer (C) using wrench (F)**

# HEKMAN

## ASSEMBLY INSTRUCTIONS

79190 *Junior Executive Desk*

A HOWARD MILLER COMPANY



**Step 2:** Remove the upper drawers in both pedestals - Open drawer fully to expose the release levers in the center of the drawer slide. Push the lever on the left side up, and the lever on the right side down to release drawer. With levers pushed gently tug the drawer out of the desk

**Step 3:** Place the top assembly on the bases, the top is set a little forward on the pedestal then push back to lock the French cleats. Lock the top assembly in place with Bolt (D), Lock Washer (B) and Washer (C) using wrench (F). Install and close the drawers after assembling.