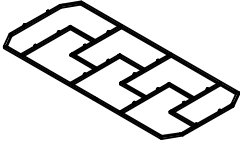
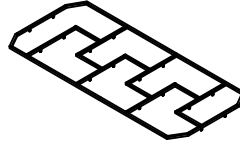
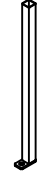
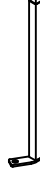

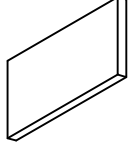


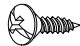
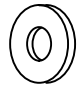
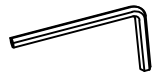
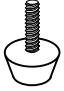
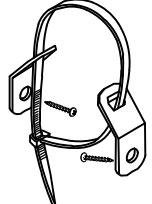
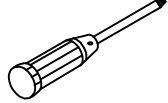
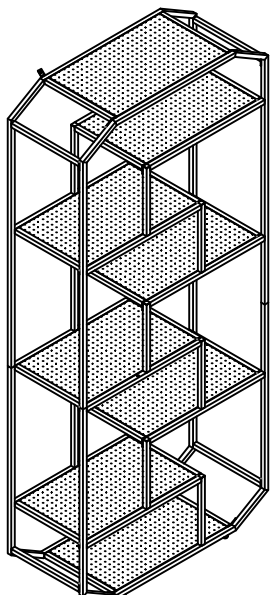


ASSEMBLY INSTRUCTION

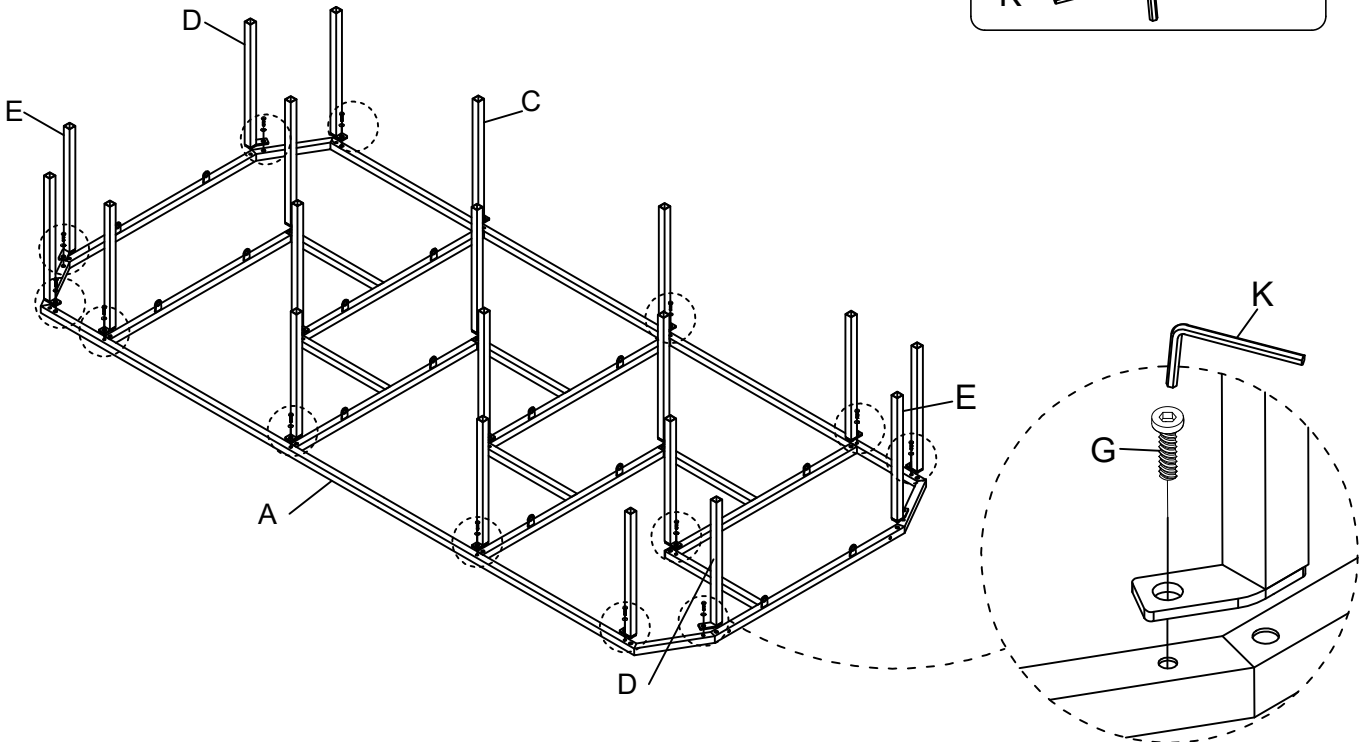
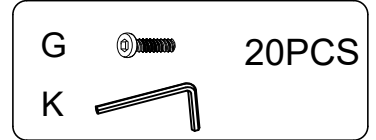
METAL CLIPPED CORNER BOOKCASE

A Front Panel  1pc	B Back Panel  1pc	C Support Tube  16pcs	D Support Tube  2pcs
E Support Tube  2pcs	F Shelf Panel  8pcs	G Bolt $\text{Ø}1/4" \times 1/2"$  20pcs	H Bolt $\text{Ø}1/4" \times 1-3/8"$  20pcs
I Screw $M4 \times 1/2"$  32pcs	J Flat Washer $\text{Ø}1/4" \times \text{Ø}12 \times 1.5\text{mm}$  32pcs	K Allen Key $M4$  1pc	L Leveler $\text{Ø}1/4" \times \text{Ø}13 \times 16\text{mm}$  4pcs
M Anti-Tipping Kit  1set	N Screwdriver (Not Provided)  1pc		

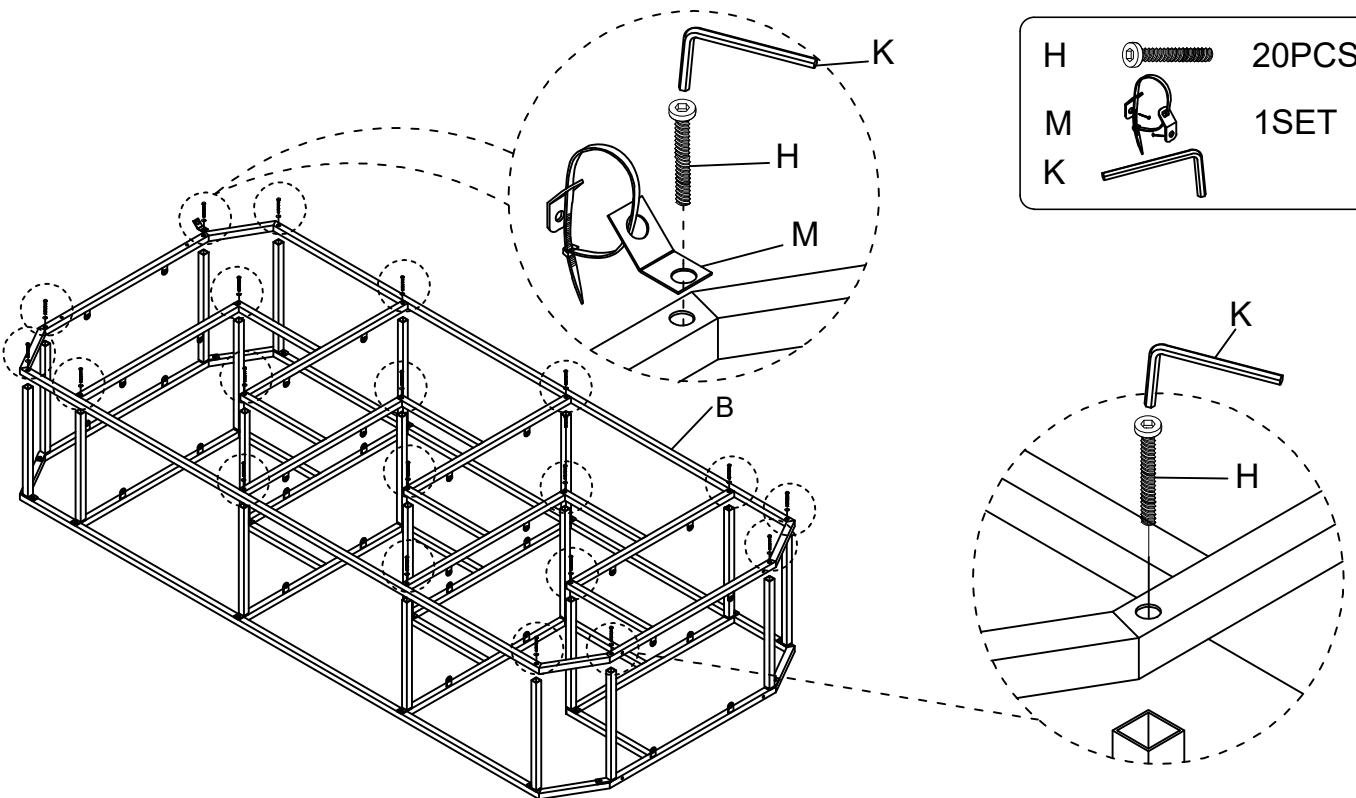
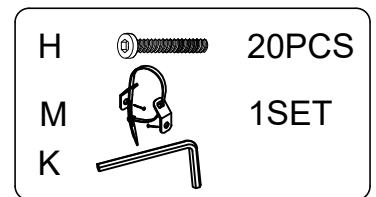


This page lists all the contents included in the box. Please take the time to identify the hardware as well as the individual components to this product. As you unpack and prepare for assembly, place the contents on a carpeted or padded area to protect them from damage.

1 Assemble Support Tube (C), Support Tube (D) & Support Tube (E) to Front Panel (A), using Bolt (G) to tighten by Allen Key (K).

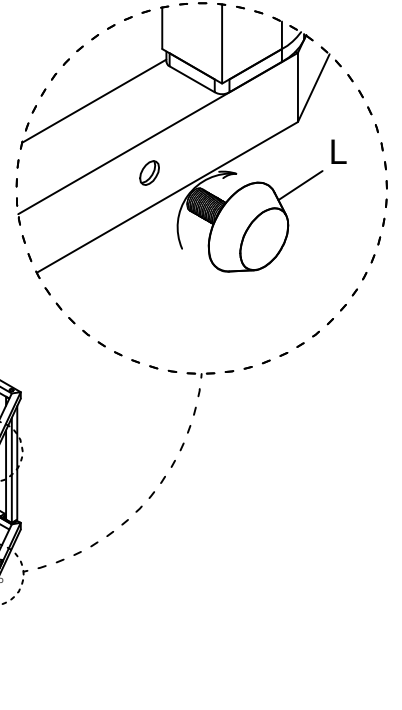
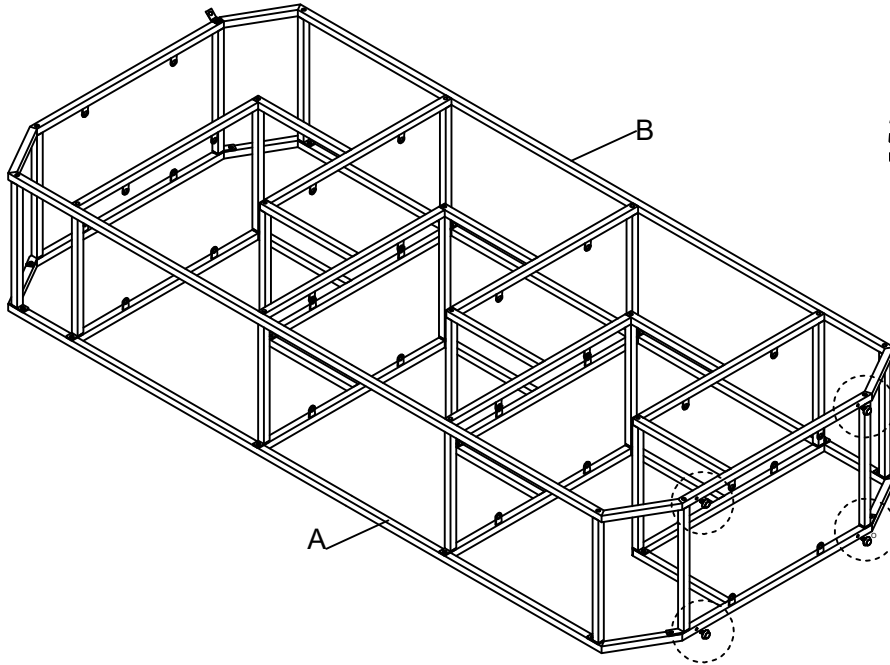


2 Assembled Back Panel (B) to the assembled Support Tube (C), Support Tube (D) & Support Tube (E), using Bolt (H), to tighten by Allen Key (K). Attach one metal panel of Anti-Tipping Kit (M) to Back Panel (B) using Bolt (H) by Allen Key (K).


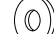



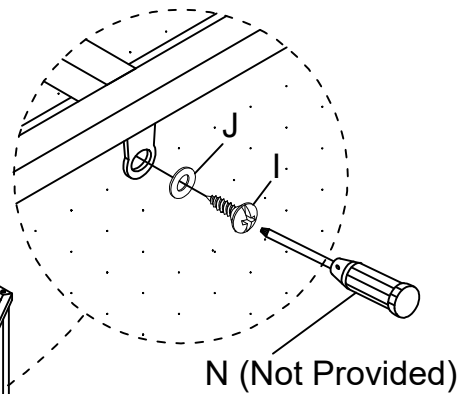
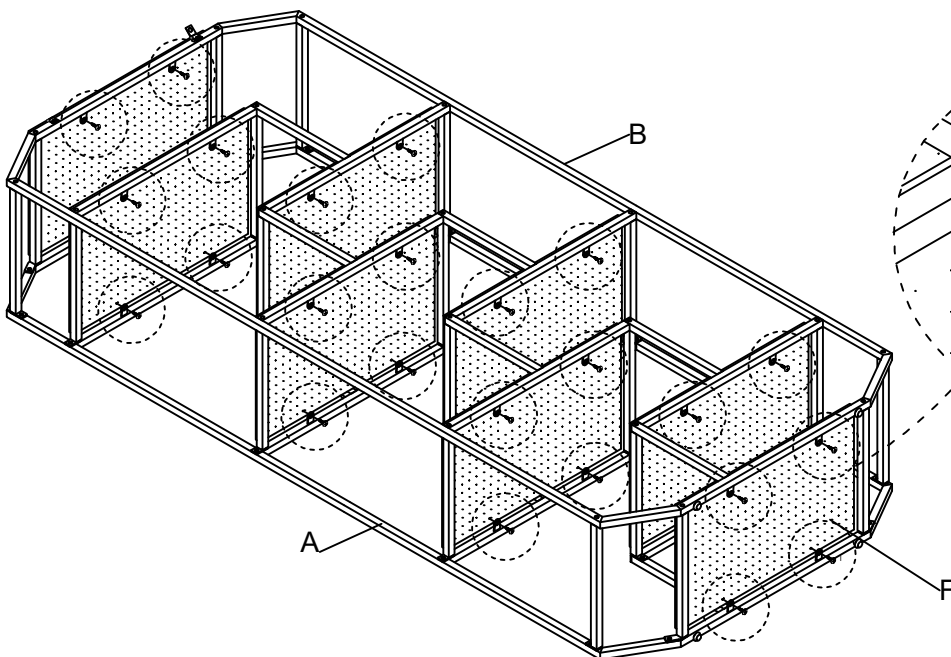
3 Assemble Levelers (L) to the bottom of Front Panel (A) and Back Panel (B), then you can adjust them to make the bookcase stabilized.

L		4PCS
---	---	------



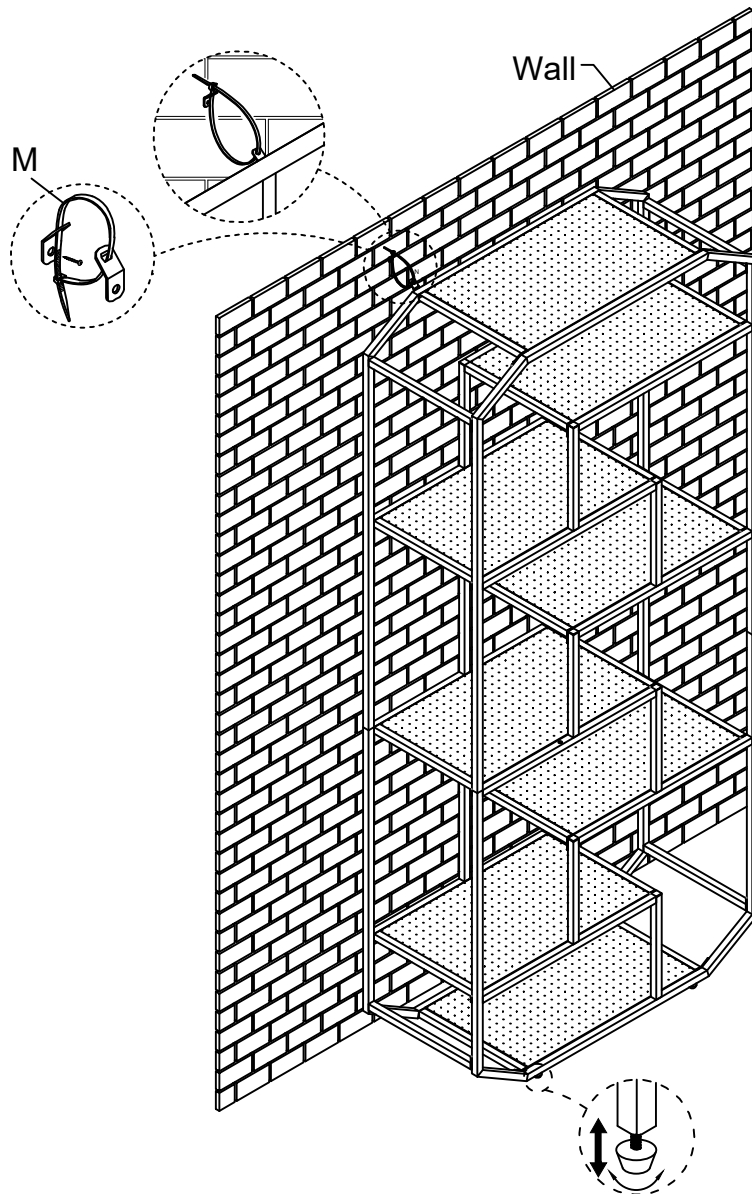
4 Attach Shelf Panel (F) to Front Panel (A) & Back Panel (B), using Screw (I), Flat Washer (J) to tighten by Screwdriver (N).

I		32PCS
J		32PCS
N		



5

Assemble the other one metal panel of Anti-Tipping Kit (M) to the wall using Screwdriver (N) as below shown.



Remark: If there is any gap between the legs and ground, please adjust the leveler until it reaches the ground.

Adjust any parts out of alignment and tighten all bolts and screws from steps 1 through 5.

Cleaning & Care

Treat surface with care. Surface is resistant to scratches but is not scratch resistant. Clean surfaces with a dry or damp soft cloth. Do not use abrasive cleaners. Hardware may loosen over time. Periodically check that all connections are tight.