

# integral / linear drain instructions

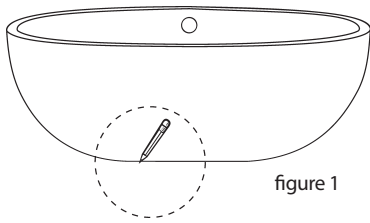


figure 1

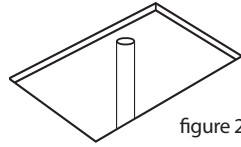


figure 2

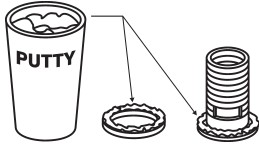


figure 3

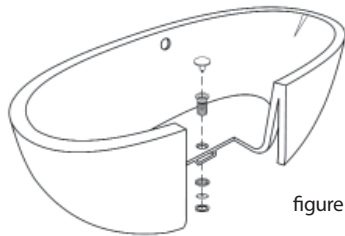
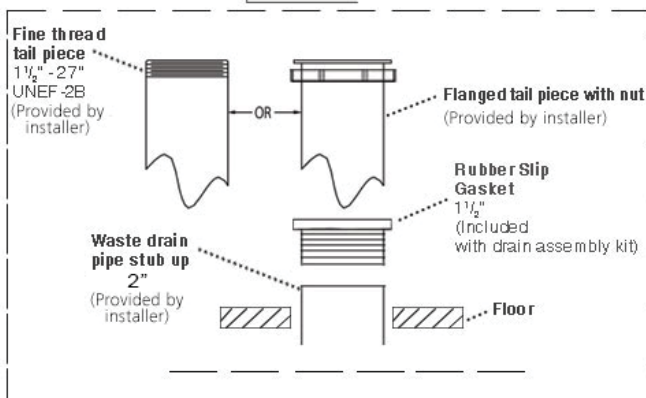
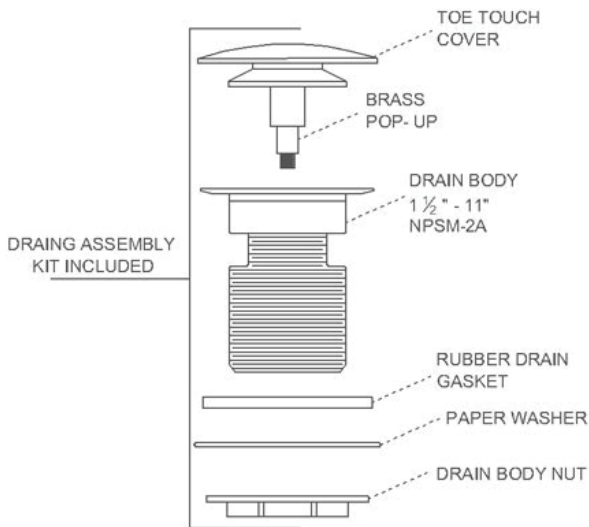


figure 4

## Integral Drain / Pop up assembly



## PREPARATION

1. Clean, level, and prepare the floor for installation.
2. Place the unit in the exact installed position on the floor and trace the outline of the bath with a pencil or any erasable marking (figure 1).
3. Determine the location of the drain pipe, and air line (on units with Airbath Systems) on the floor by taking measurements of the drain and waste location underneath the unit (figure 2).

*Note: Drain and waste locations will vary by model.*

4. Using a blanket, cardboard, or other clean protective surface, turn the unit on its side so that the unit is properly supported during drain installation.
5. Clean the drain hole area in preparation of setting the drain. The area should be dry and free of any debris.

## INSTALL DRAIN & TAIL PIECE HARDWARE

All parts involved in tail piece installation are provided by the installer.

Determine if the tub has a factory installed integral drain or if a field installed drain is requested. Tubs with factory installed integral drains continue with instructions. Tubs with field installed drains go to step 10.

### Tubs with factory installed integral drains (steps 6-12):

6. Apply a bead of clear silicone or plumbers putty around the Drain Body and pass it through the drain hole (figure 3).
7. Apply plumbers putty to the Washer and slide it over the bottom of the Drain Body (figure 3).
8. Slide the paper washer over the drain body.
9. Attach the Drain Body Nut on the Drain Body and tighten until the Nut and Washer have created a seal with the bottom of the bathtub. DO NOT OVERTIGHTEN (figure 4).
10. Insert 1 1/2" rubber slip gasket into the drain waste vent.
11. Cut tail piece to desired length (will vary for each installation).
12. Connect tail piece assembly to drain body (figure 5).

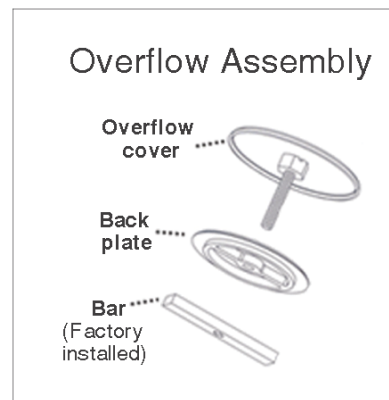


figure 5

(Integral Drain Unit Hardware Shown)

# integral / linear drain instructions

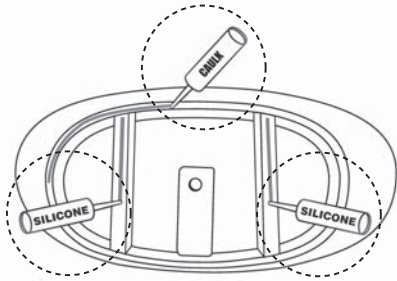


figure 6

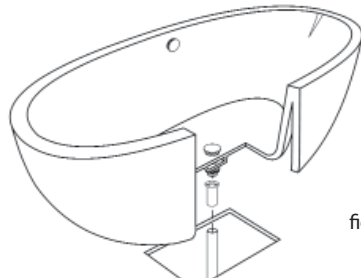


figure 7

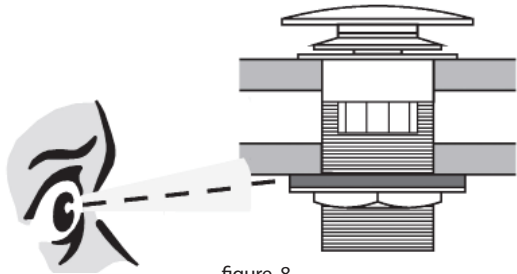


figure 8

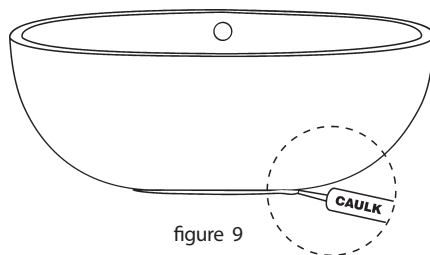


figure 9

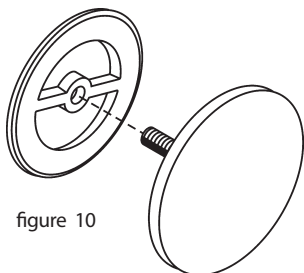


figure 10

## INSTALL BATHTUB

**NOTE: Remote blower and pump Installations continue on pages 6 and 7 then return to step 13.**

13. Apply a generous bead of adhesive or silicone to the bottom of the tub supports (figure 6).
14. Then apply a bead of tub and tile caulk around the edge of the base (figure 6).
15. **Carefully** set tub into position (figure 7) and connect the drain hardware (previously installed).

## COMPLETE BATHTUB INSTALLATION

16. Fill the tub with water to the overflow and then drain the tub while inspecting the waste connections below the floor for leaks. Access from below may be necessary for this step.
17. With the bathtub now in place, wipe off any excess tub and tile caulk and adhesive where the tub meets the floor.
18. Run a bead of tub and tile caulk around the bottom edge of the bathtub where it meets the floor. Wipe off any excess caulk with a wet cloth (figure 9).

## INSTALL OVERFLOW HARDWARE

19. Place the Back Plate over the screw of the overflow cover .
20. Then, align the Overflow Cover with the Bar (installed at the factory) in the overflow hole.
21. Carefully hand tighten the Overflow Cover until it stops. **DO NOT OVER TIGHTEN**

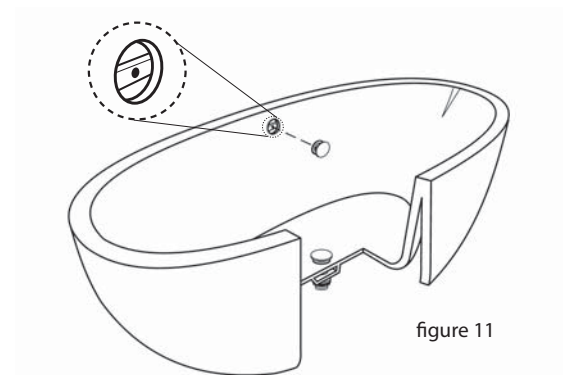


figure 11