

NEWPORT BRASS

NEWPORT BATH WALL MOUNT TUB FAUCET VALVE

1-500U



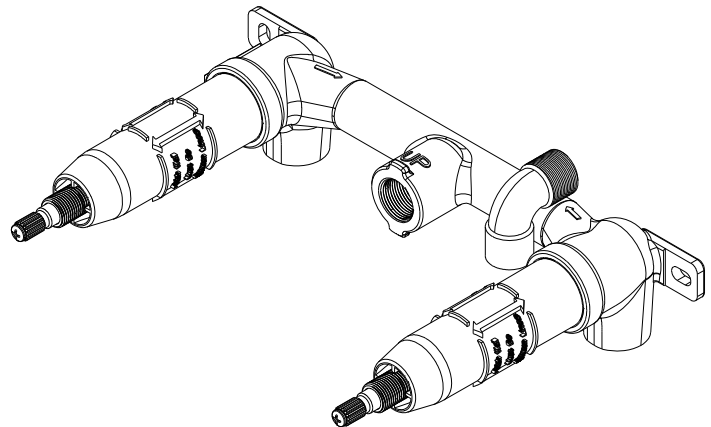
Features

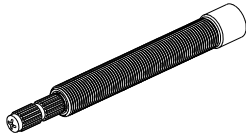
- Solid brass construction
- 1/2" NPT female thread (inlet and outlet) valve body
- Mounting tabs located on rough-in for secure installation option
- Quarter-turn washerless ceramic valve cartridges
- Requires Newport Brass Wall Mount Tub Trim (many options available, sold separately)

Codes / Standards Compliance

Meets or exceeds the following at date of manufacture:

- ASME A112.18.1/CSA B125.1
- IAPMO/cUPC
- IPC
- All applicable US Federal and State material regulations

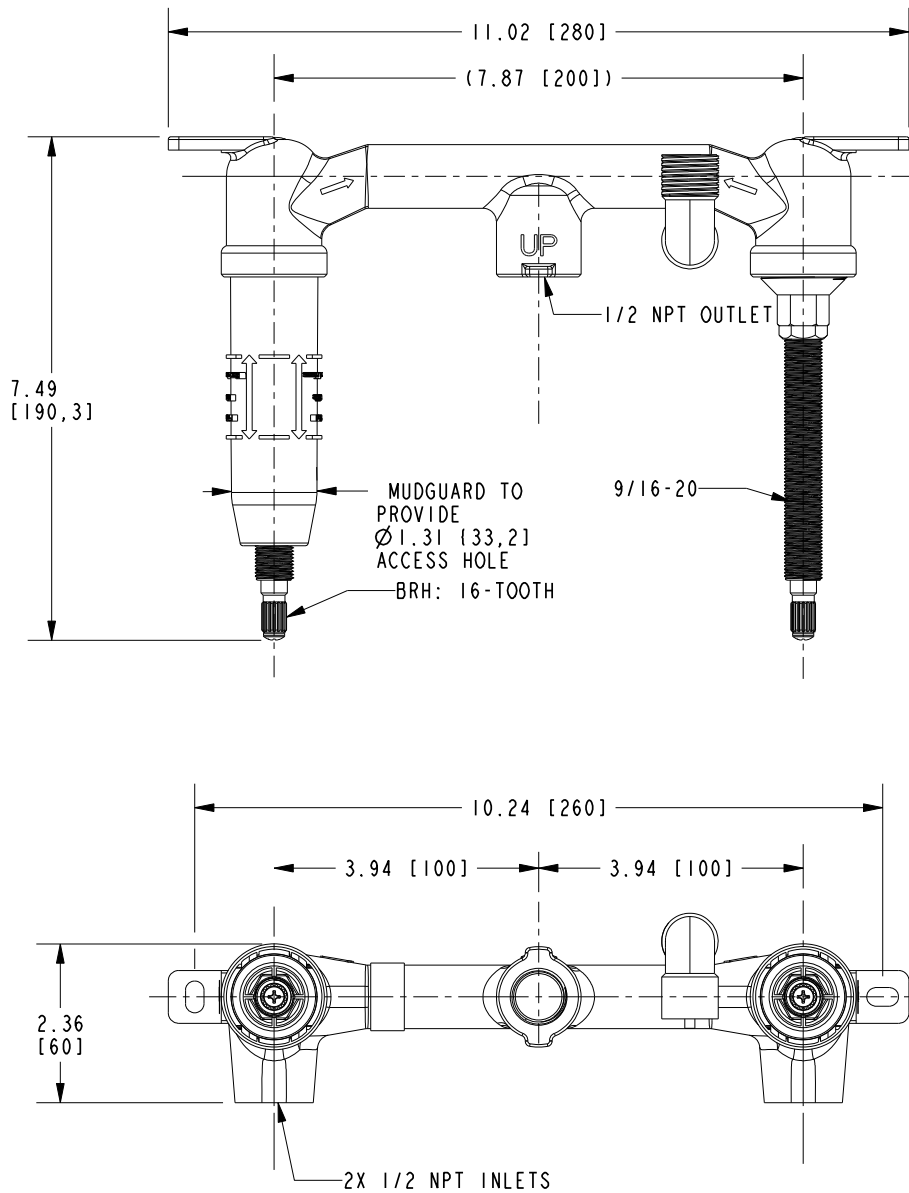


OPTIONAL ACCESSORY	
System Element	Stem Extension
Description	Stem Extension Kit
Part Number	1-384
Image	

NEWPORT BRASS

PRODUCT DIMENSIONS *(Units are in inches)*

Product Dimensions are provided for reference only. For specific product installation guidelines, please reference the Installation Instructions of the product being installed.



WALL MOUNT TUB FAUCET VALVE

I-500U