



Assembly Instructions

B2521-310 BIANELLO 5/0 Q HEADBOARD
 B2521-320 BIANELLO 5/0 Q FOOTBOARD & SLATS
 B2521-330 BIANELLO 5/0-6/6 Q/EK SIDE RAILS

Thank you for purchasing this quality product. Be sure to check all packing materials carefully for small parts, which may have come loose inside the carton during shipment. Identify and count all items and compare with the PARTS LIST and/or HARDWARE LIST shown below.

Caution: Please read the instructions thoroughly before assembly.

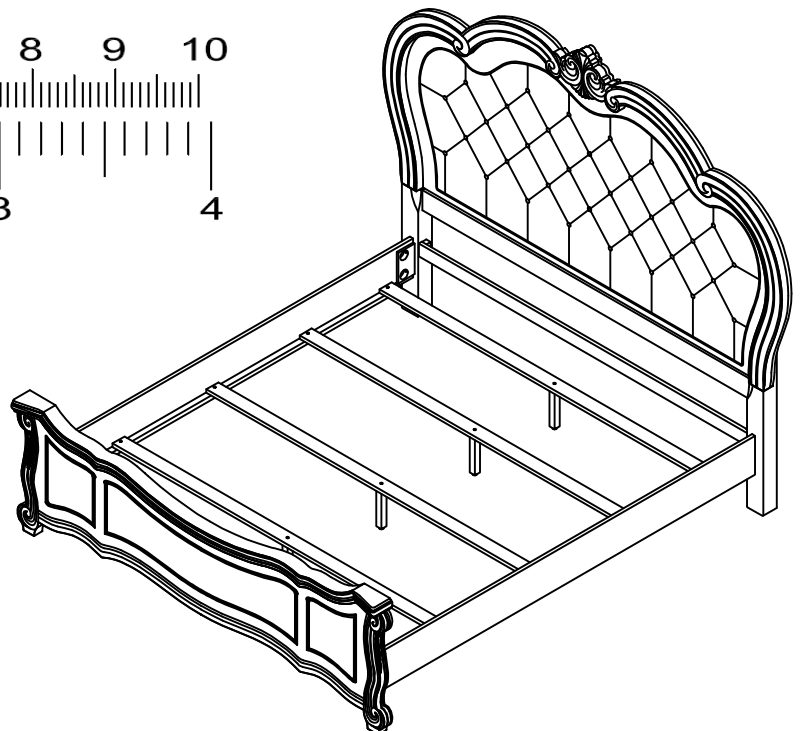
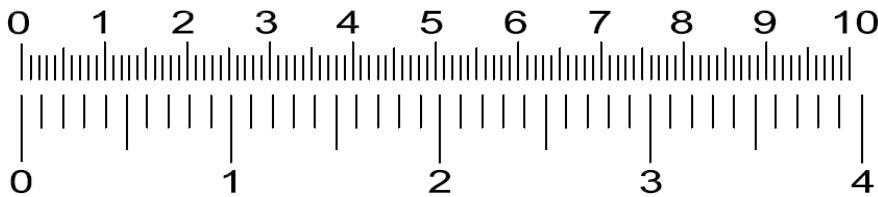
1. We recommend that you assemble this product with the assistance of another person: this will make the assembly easier, and will help eliminate damage to the product or injury to persons during assembly.
2. Please do not over tighten screws or bolts until the assembly is completed.
3. Please put all parts on a non-abrasive floor before assembly, and follow the assembly steps to assemble your newly purchased product correctly and efficiently

PARTS LIST

NO:	COMPONENT	SKETCH	Q'TY
A	Headboard		1PC
B	Footboard		1PC
C	Side Rail		2PCS
D	Support Legs		4PCS
E	HB Cross Bar		1PC
F	HB Left side facing (LSF) Leg		1PC
G	HB Right side facing (RSF) Leg		1PC
H	Slats		4PCS

HARDWARE LIST

NO:	COMPONENT	SKETCH	Q'TY
1	Bolt 5/16" x 1-3/4"		8pcs
2	Bolt 5/16" x 3-1/2"		8pcs
3	Flat Washer 5/16" x 3/4"		8pcs
4	Lock Washer 5/16"		16pcs
5	Half Moon Washer 5/16"		8pcs
6	Nut (5/16")		8pcs
7	Screw: #8*1-1/4"		8pcs
8	Allen key		1pc
9	Open Wrench 5/16"		1pc

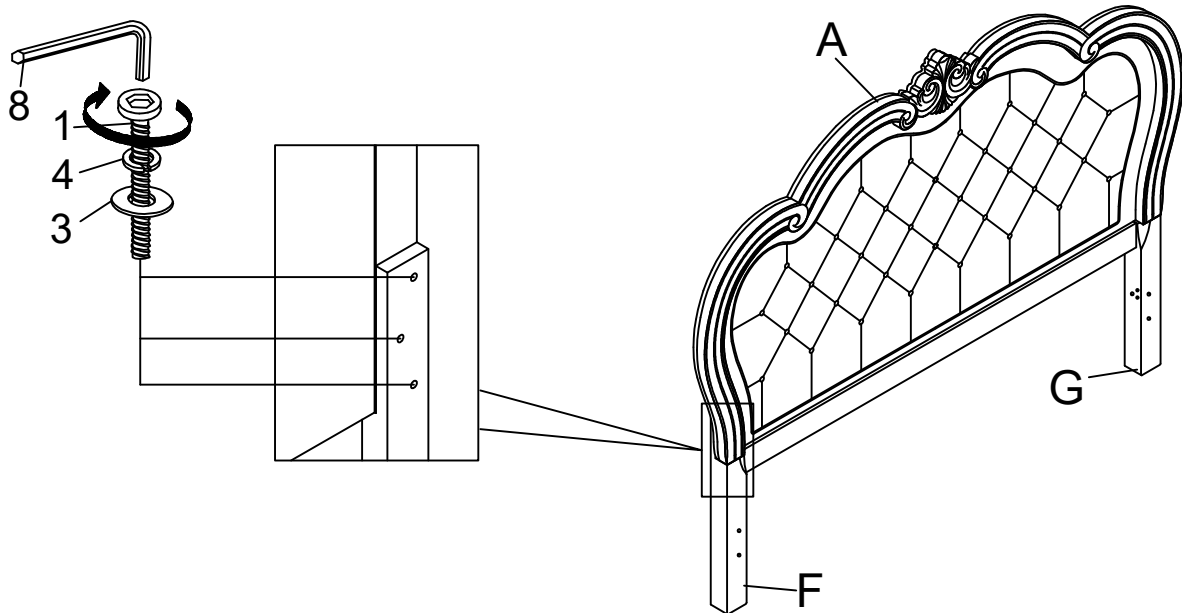


Assembly Instructions

B2521-310 BIANELLO 5/0 Q HEADBOARD
 B2521-320 BIANELLO 5/0 Q FOOTBOARD & SLATS
 B2521-330 BIANELLO 5/0-6/6 Q/EK SIDE RAILS

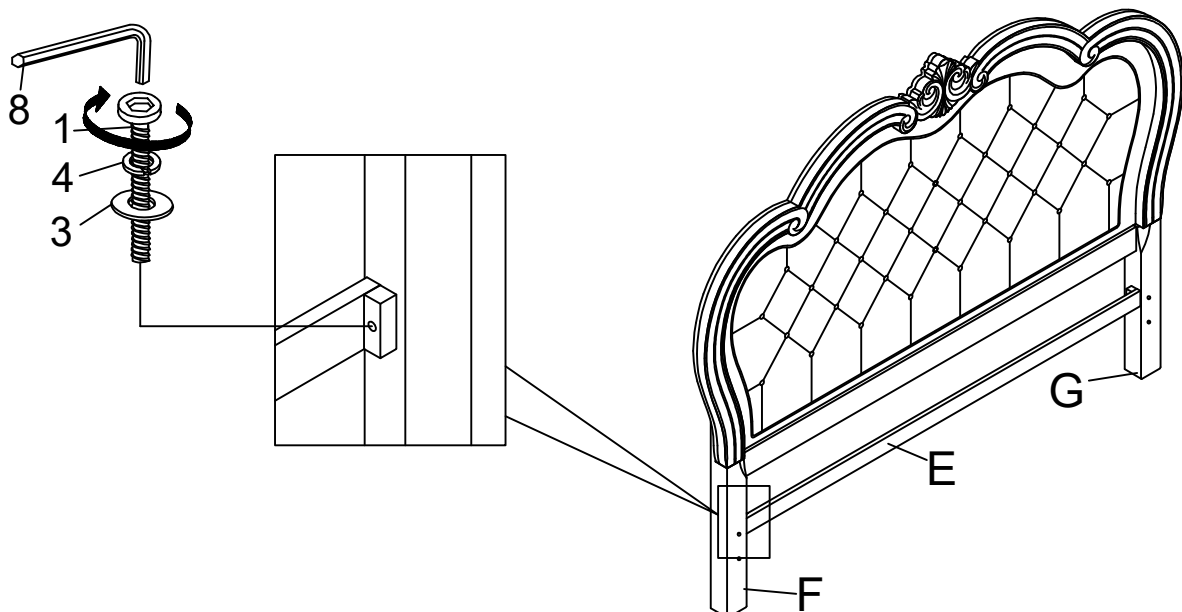
STEP 1

Assemble HB LSF Leg (F) and HB RSF Leg (G) to Headboard (A) by using Allen Key (8) with hardware 1, 3, and 4.
 *DO NOT TIGHTEN THE BOLTS



STEP 2

Assemble the HB cross bar (E) to HB legs (G & F) by using Allen Key (8) with hardware 1, 3, and 4.
 *TIGHTEN ALL THE BOLTS BY USING ALLEN KEY (8)

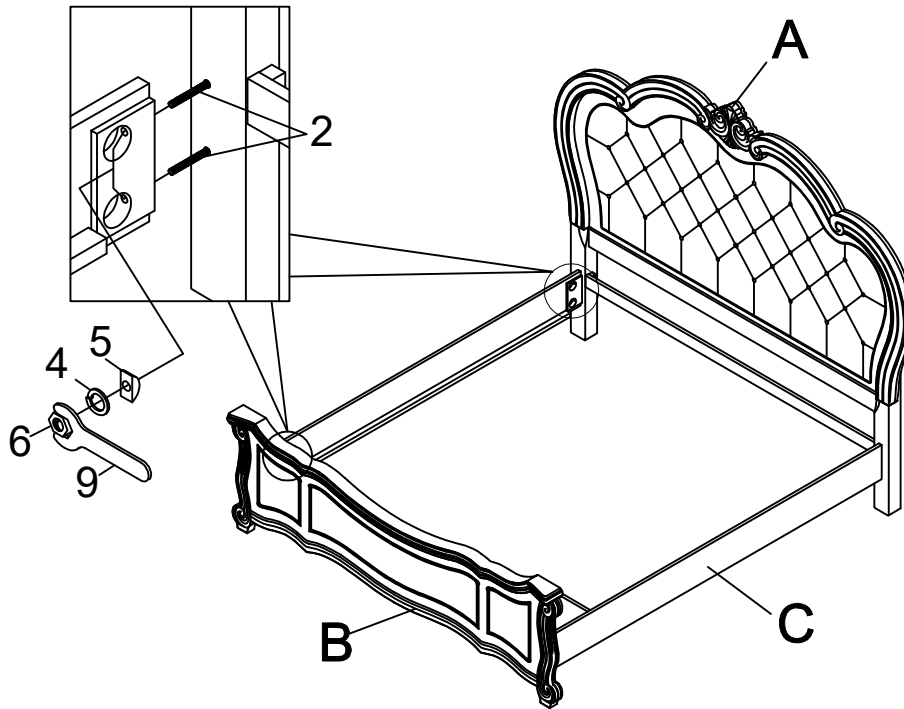




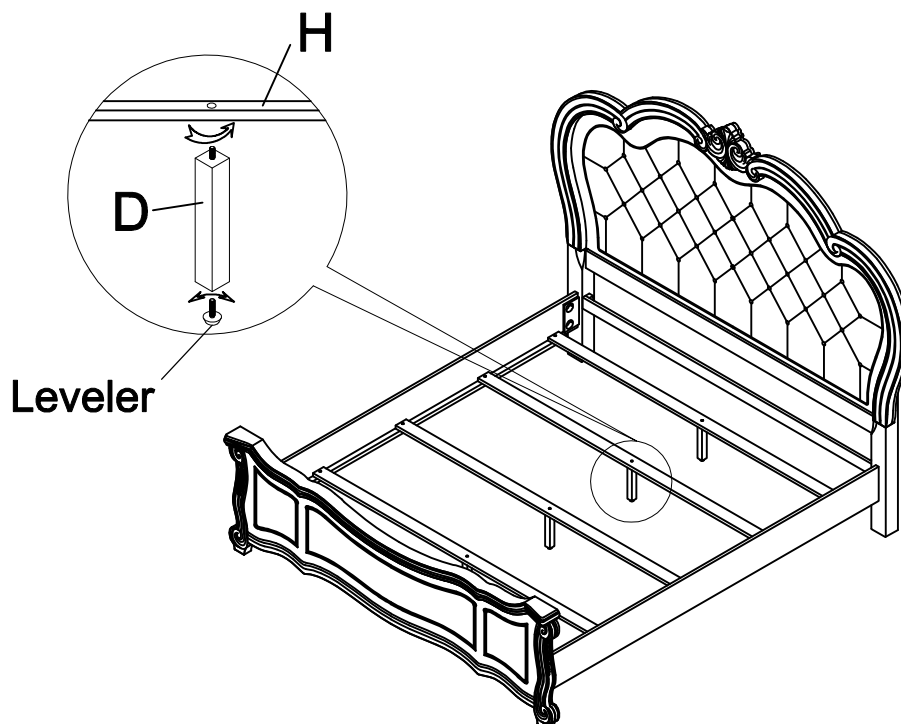
Assembly Instructions

B2521-310 BIANELLO 5/0 Q HEADBOARD
B2521-320 BIANELLO 5/0 Q FOOTBOARD & SLATS
B2521-330 BIANELLO 5/0-6/6 Q/EK SIDE RAILS

STEP 3 Assemble side rails (C) with Headboard (A) and Footboard (B) by using Open Wrench (9) with hardware 2,4,5, and 6



STEP 4 Install the support legs (D) on to the slat (H)





Assembly Instructions

B2521-310 BIANELLO 5/0 Q HEADBOARD
B2521-320 BIANELLO 5/0 Q FOOTBOARD & SLATS
B2521-330 BIANELLO 5/0-6/6 Q/EK SIDE RAILS

STEP 5

Assemble the slat (H) to the side rails (C) by using a screwdriver with hardware 7.

