

Assembly & Installation Instructions

CAUTION: Read instructions carefully and turn electricity off at main circuit breaker panel before beginning installation.

5846

WARNING - If any Special Control Devices are used with this Fixture, Follow the Instructions Carefully to assure full compliance with N.E.C. requirements. If there are any questions, contact a Qualified Electrical Contractor.

WARNING - To comply with the National Electric Code and Underwriters Laboratories requirements, the edge of the wall plate coming in contact with the mounting surface must be sealed with a latex waterproof caulking to prevent water from entering the outlet box.

CAUTION - All glass is fragile, use care when handling Glass component(s) and or Lamp(s).

WARNING - This product contains chemicals known to the State of California to cause cancer, birth defects and /or other reproductive harm. Thoroughly wash hands after installing, handling, cleaning, or otherwise touching this product.

ASSEMBLY STEPS:

PASOS PARA ENSAMBLAR:

MODE D'ASSEMBLAGE:

1. D,E → A
2. A,B → C
3. F → G
4. H,I → D
5. N → M
6. Q,P → O

FOR 5606 ONLY

SÓLO PARA EL MODELO 5606

POUR LE MODÈLE 5606 UNIQUEMENT

7. K,L → J

FOR 5846 ONLY

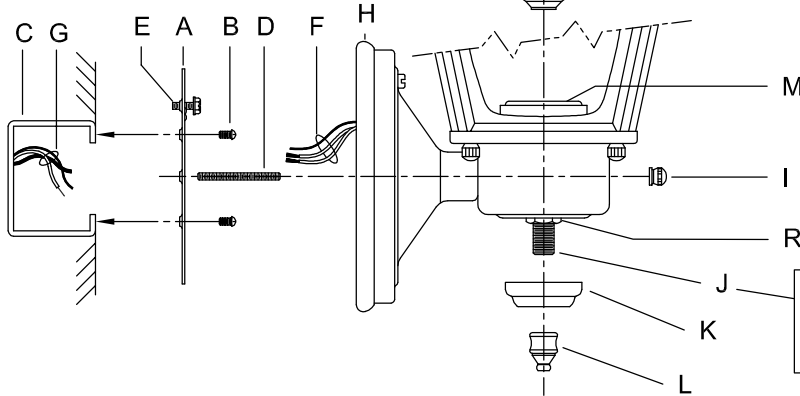
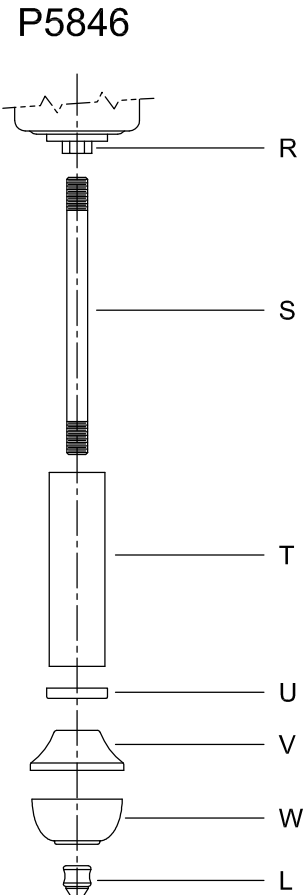
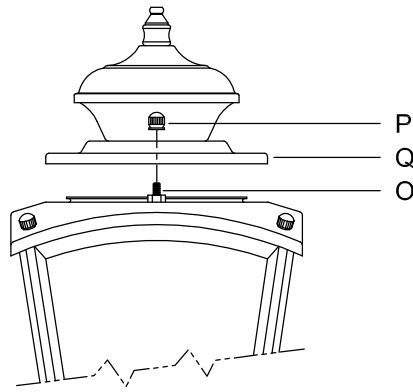
SÓLO PARA EL MODELO 5846

POUR LE MODÈLE 5846 UNIQUEMENT

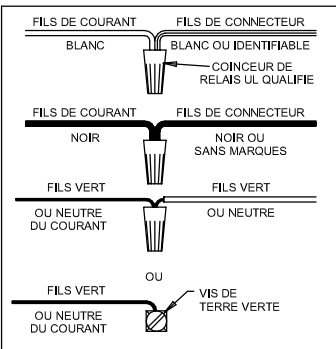
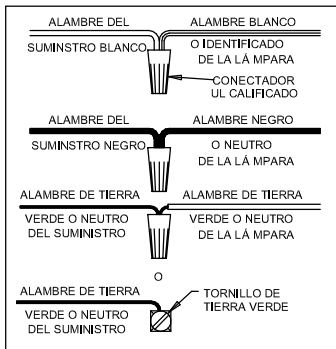
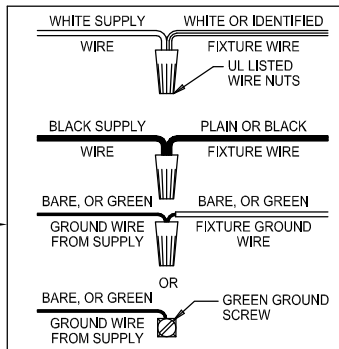
7. J ← R

8. S → R

9. T,U,V,W,L → S



(REMOVE 5846)
(USTED QUITA 5846)
(VOUS ENLEVEZ 5846)



**B,C,G & N
(NOT FURNISHED)
(NO INCLUIDA)
(NON FOURNIE)**