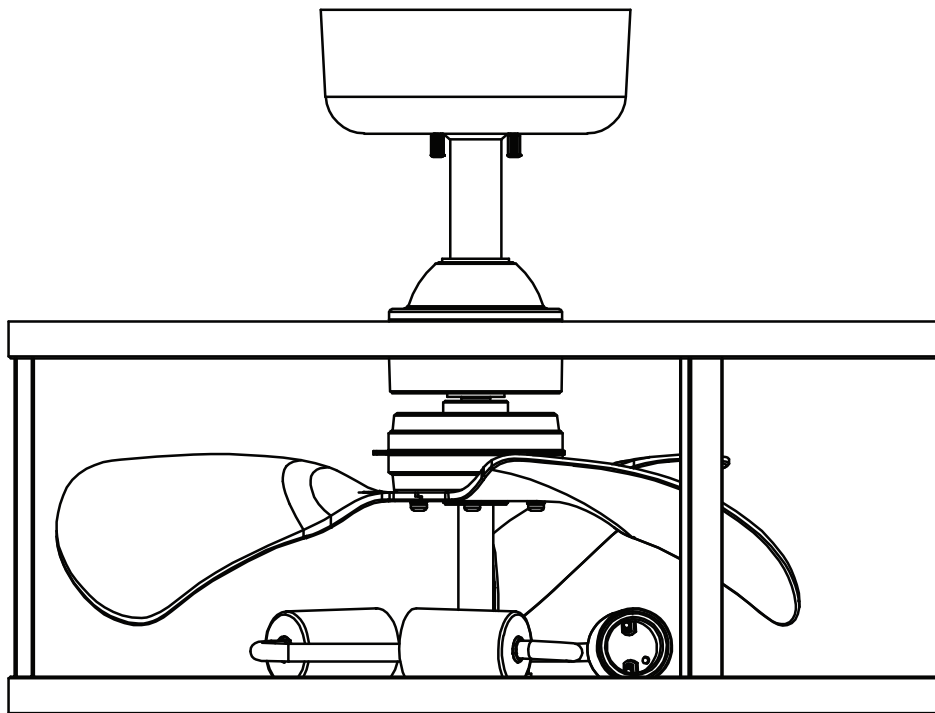


3-LIGHT CEILING FAN

IMPORTANT SAFETY INSTRUCTIONS AND INSTALLATION GUIDE



READ BEFORE INSTALLATION
SAVE THESE INSTRUCTIONS



Table of Contents

| | |
|---|-----|
| Safety Information | 2 |
| FCC Statement | 2 |
| Radiation Exposure Statement | 2 |
| Warranty | 2 |
| Pre-Assembly | 3 |
| Installation | 4-5 |
| Remote Wall Dock Screw Installation | 6 |
| Remote Wall Dock Adhesive Installation | 6 |
| Remote Operation | 7 |
| Pairing the Remote to the Fixture | 7 |
| Remote Battery Installation/Replacement | 7 |

Safety Information

For your safety, always remember to:

- ☐ Turn off the power supply at the fuse or circuit breaker box before you install the fixture.
- ☐ Install 8-9 feet above floor and 21 inches from the wall.
- ☐ Ground the fixture to avoid potential electric shock and to ensure reliable starting.
- ☐ Double-check all connections to be sure they are tight and correct.
- ☐ Wear rubber soled shoes and work on a sturdy wooden ladder.
- ☐ Account for small parts and destroy packing material, as these may be hazardous to children.

This fixture is designed for use in a circuit protected by a fuse or circuit breaker. It is also designed to be installed in accordance with local electrical codes. If you are unsure about your wiring, consult a qualified electrician or local electrical inspector, and check your local electrical code.

SUITABLE FOR OPERATION IN AMBIENT NOT EXCEEDING 45°C

NOTICE: All electrical connections must be in accordance with local standards. If you are unfamiliar with proper electrical wiring connections obtain the services of a qualified electrician.

Remove the fixture and the mounting package from the box and make sure that no parts are missing by referencing the illustrations on the installation instructions.



WARNING: RISK OF FIRE. Before installing your lighting fixture, thoroughly review this installation manual. If you do not have sufficient electrical wiring experience, have your fixture installed by a certified electrician. All electrical connections must be in accordance with local standards. Reliable operating temperature is -13°F to 113°F / -25°C to 45°C. Suitable for Damp Locations.

Product Specifications:

- 120VAC, 60Hz
- Suitable for damp location
- Do not use this fan with a wall dimmer switch



WARNING: RISK OF SHOCK. House electric current can cause painful shock or serious injury unless handled properly.



CAUTION: Turn off the main power at the circuit breaker before installing the fixture, in order to prevent possible shock.



WARNING: To reduce the risk of fire, electrical shock, or other personal injury, mount fan only on an outlet box or supporting system marked acceptable for fan support of 35 lbs (15.9 kg) or less and use the mounting screws provided with the outlet box. Most outlet boxes commonly used for the support of lighting fixtures are not acceptable for fan support and may need to be replaced. Consult a qualified electrician if in doubt.



CAUTION: Provided with two AAA batteries (1.5V).

- KEEP OUT OF THE REACH OF CHILDREN.
- Ensure the batteries are installed with the correct polarity (+ and -).
- Ensure the batteries are in good condition before installation.
- Remove the batteries from the remote if not used for an extended period.
- Replace used batteries promptly.
- These batteries are not intended for recharging
- Dispose of batteries in accordance with local requirements.

FCC STATEMENT

Supplier's Declaration of Conformity:
47 CFR § 2.1077 Compliance Information
Responsible Party: Feit Electric Company
4901 Gregg Road, Pico Rivera, CA 90660, USA
www.feit.com
Unique Identifier: FAN19/6WY/NL/BLK

This device complies with part 15 of the FCC Rules. Operation is subject to the following two conditions: (1) This device may not cause harmful interference, and (2) this device must accept any interference received, including interference that may cause undesired operation. Note: This equipment has been tested and found to comply with the limits for a Class B digital device, pursuant to part 15 of the FCC Rules. These limits are designed to provide reasonable protection against harmful interference in a residential installation. This equipment generates, uses and can radiate radio frequency energy and, if not installed and used in accordance with the instructions, may cause harmful interference to radio communications. However, there is no guarantee that interference will not occur in a particular installation. If this equipment does cause harmful interference to radio or television reception, which can be determined by turning the equipment off and on, the user is encouraged to try to correct the interference by one or more of the following measures: Reorient or relocate the receiving antenna. Increase the separation between the equipment and receiver. Connect the equipment into an outlet on a circuit different from that to which the receiver is connected. Consult the dealer or an experienced radio/TV technician for help. Any changes or modifications not expressly approved by the manufacturer could void the user's authority to operate the equipment.

Radiation Exposure Statement

This device complies with FCC radiation exposure limits set forth for an uncontrolled environment. This device should be installed and operated with a minimum distance of 20cm between the radiator and your body.

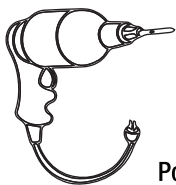
Limited Warranty

This product is warranted to be free from defects in workmanship and materials for up to 2 years from date of purchase. If the product fails within the warranty period, please contact Feit Electric at info@feit.com or visit feit.com/contact-us for instructions on replacement or refund. REPLACEMENT OR REFUND IS YOUR SOLE REMEDY. EXCEPT TO THE EXTENT PROHIBITED BY APPLICABLE LAW, ANY IMPLIED WARRANTIES ARE LIMITED IN DURATION TO THE DURATION OF THIS WARRANTY. LIABILITY FOR INCIDENTAL OR CONSEQUENTIAL DAMAGES IS HEREBY EXPRESSLY EXCLUDED. Some states and provinces do not allow the exclusion of incidental or consequential damages, so the above limitation or exclusion may not apply to you. This warranty gives you specific legal rights, and you may also have other rights which vary from state to state or province to province.

TOOLS REQUIRED (NOT INCLUDED)



Phillips
Screwdriver



Power drill

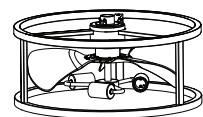


1/4 in. Drill Bit

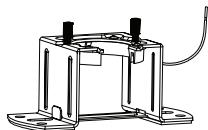
HARDWARE INCLUDED



NOTE: Hardware not shown to actual size.



AA



BB



CC



DD



EE



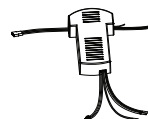
FF



GG



HH



II



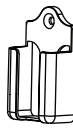
JJ



KK



LL



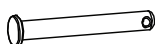
MM



NN



OO



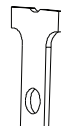
PP



QQ



RR



SS



TT

| Part | Description | Quantity |
|------|------------------------------------|----------|
| AA | LED Fixture | 1 |
| BB | Mounting Bracket | 1 |
| CC | Self-Tapping Screws #8 x 1-1/8 in. | 4 |
| DD | Wire Nuts | 3 |
| EE | Sleeve Anchors 1/4 in. x 2-1/4 in. | 2 |
| FF | Flat Washers | 2 |
| GG | Spring Washers | 2 |
| HH | Nuts | 2 |
| II | Driver | 1 |
| JJ | Coupling Cover | 1 |
| KK | Canopy | 1 |
| LL | Remote | 1 |
| MM | Remote Wall Dock | 1 |
| NN | Downrod | 1 |
| OO | Lock Pin | 1 |
| PP | Clevis Pin | 1 |
| QQ | Wall Anchors | 2 |
| RR | Wall Dock Screws #6 x 5/8 in. | 2 |
| SS | Double Sided Adhesive | 1 |
| TT | AAA Remote Batteries | 2 |

Installation

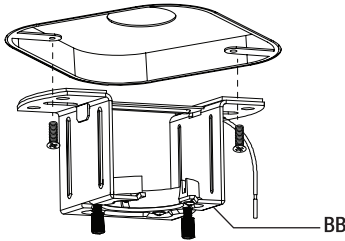
1 Turning Off the Power

- Turn the power OFF at the switch and fusebox or the circuit breaker.

2 Installing Mounting Bracket

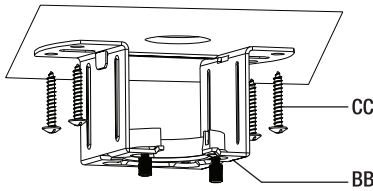
Option 1: Junction Box

- Install the mounting bracket (BB) onto the junction box with the mounting screws provided with the junction box.



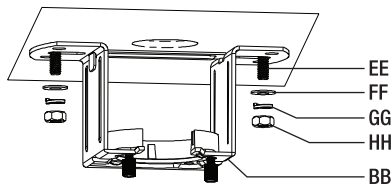
Option 2: Wooden Ceiling

- Use the mounting bracket (BB) as a guide to mark 4 holes. Drill the 4 marked holes and use the self-tapping screws (CC) to install the mounting bracket onto the wooden ceiling.



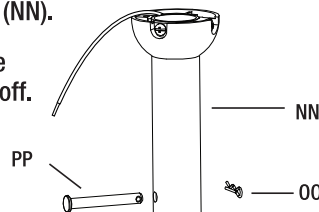
Option 3: Concrete Ceiling

- Use the mounting bracket (BB) as a guide to mark the holes for the sleeve anchors (EE). Drill the 2 marked holes using a 1/4 in. drill bit. Insert the 2 sleeve anchors (EE) into the concrete ceiling. Install the mounting bracket and secure with the flat washers (FF), spring washers (GG), and nuts (HH).



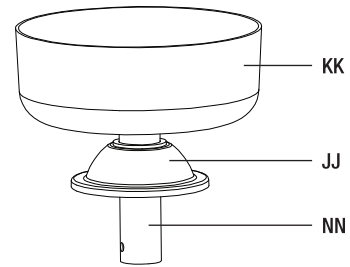
3 Removing the Clevis Pin and Lock Pin from the Downrod

- Remove the clevis pin (PP) and the lockpin (OO) from the downrod (NN).
- Loosen the set screws from the downrod but do not take them off.



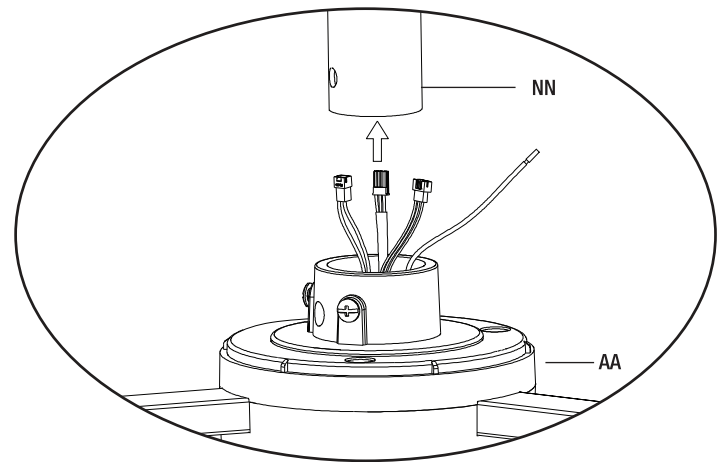
4 Preparing the Downrod Assembly

- Slide the canopy (KK) and coupling cover (JJ) onto the downrod (NN).



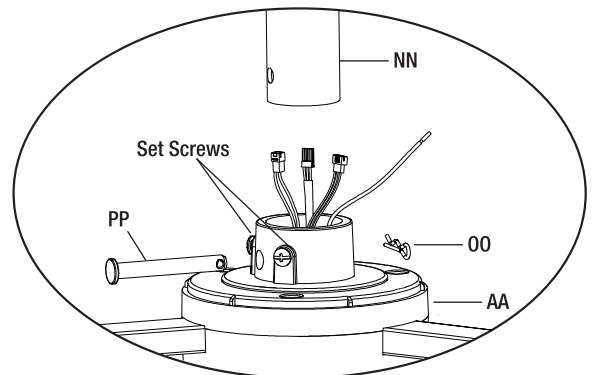
5 Routing the Fixture Wires

- Route the wires from the fixture (AA) through the downrod (NN) assembly.



6 Attaching the Downrod to the Fixture

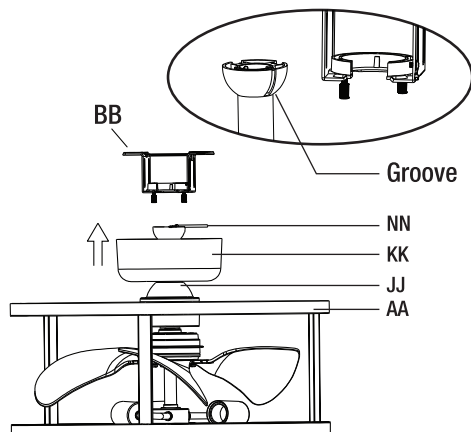
- Align the holes in the collar and downrod (NN), then carefully insert the clevis pin (PP) through them.
- Insert the lock pin (OO) into the end of the clevis pin (PP).
- Secure the downrod (NN) with the set screws.



NOTE: Be careful not to jam the clevis pin against the wires inside the downrod.

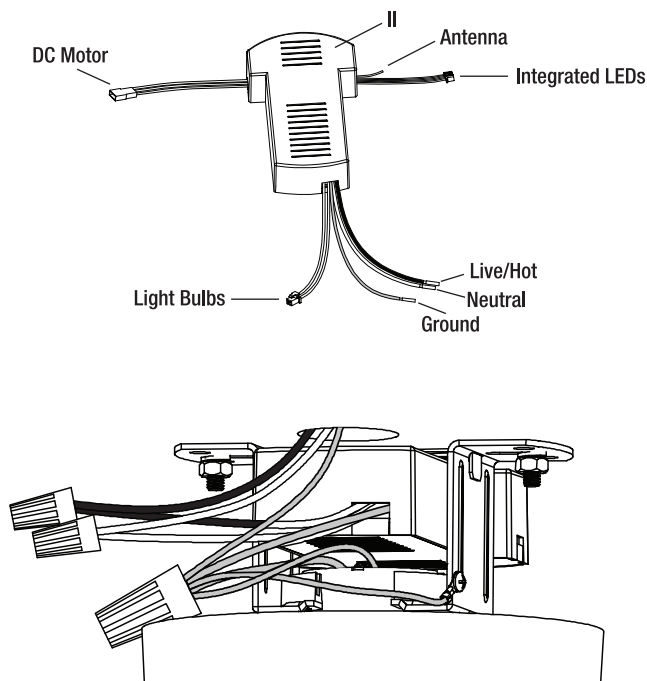
7 Mounting the Ceiling Fan

- Lift the downrod (NN) into the mounting bracket (BB).
- Rotate the downrod (NN) until the tab in the mounting bracket (BB) secures into the groove in the downrod ball.



8 Wiring the Driver

- Connect the wires from the driver (II) to the house supply wires using the wire nuts (DD) (black - Line Voltage, white - neutral and green - Ground).
- Tuck in the supply wires into the junction box.



9 Installing the Fixture

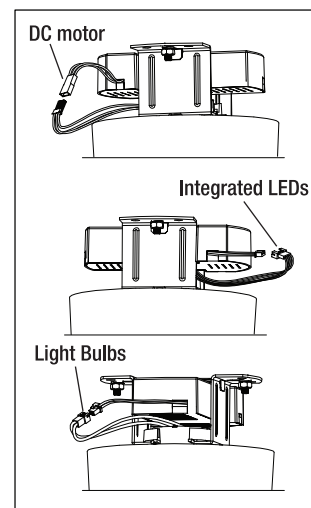
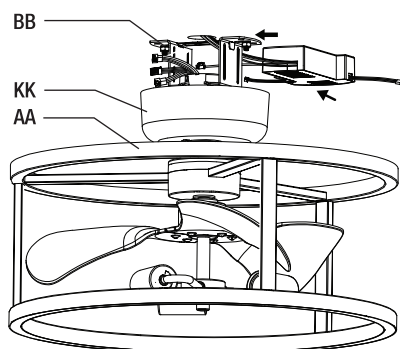
- Connect the remaining wires from the fixture (AA) to the driver (II). Connect the 3-pin, 5-pin, and 2-pin connectors from the driver to their corresponding connectors on the fixture, matching each male to its respective female connector.
- Slide the driver (II) into the mounting bracket (BB).



NOTE: The fan and lights will be controlled by the remote controller.

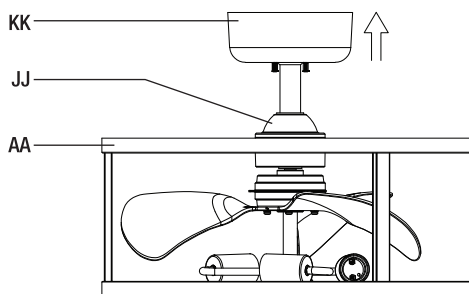


NOTE: The fan can only be connected to an ON/OFF switch, NOT a dimmer switch.

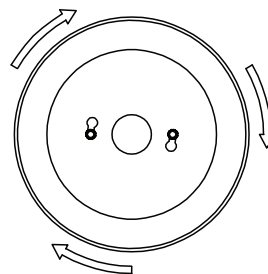


10 Securing the Canopy

- Slide the canopy (KK) up to the ceiling and attach it to the mounting bracket (BB) with the screws provided. Tighten all finials securely.



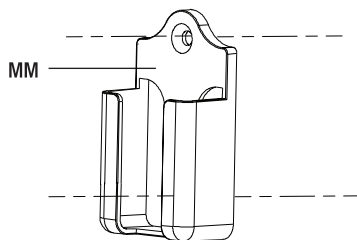
NOTE: Light bulbs used in this fixture must be dimmable.



Remote Wall Dock Screw Installation

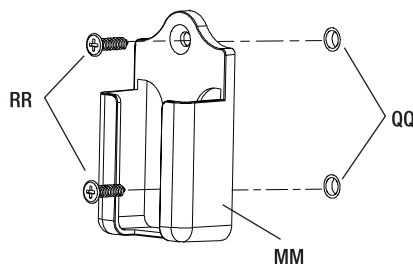
1 Installing the Backplate

- Position the remote wall dock (MM) in the desired location. Use the holes on the backplate to mark locations for the wall anchors (QQ).



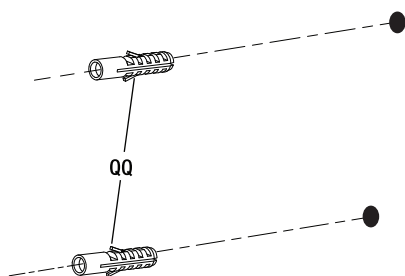
3 Attaching the Wall Dock

- Align the wall dock (MM) holes with the wall anchors (QQ) and insert the wall dock screws (RR) using a Philips screwdriver.



2 Drilling the holes

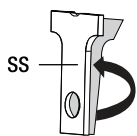
- Use a power drill to pierce two holes in the marked locations and insert the wall anchors (QQ).



Remote Wall Dock Adhesive Installation

1 Peeling off the Protective Film

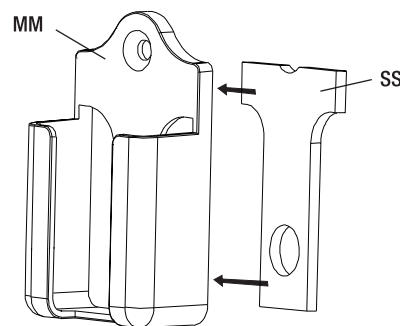
- Peel off the protective film from one side of the double-sided adhesive (SS).



NOTE: Wipe down surface before installation. For best results, install only on smooth, clean surfaces.

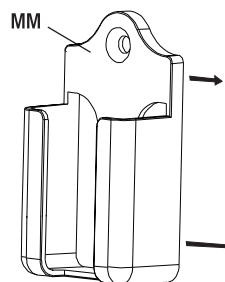
2 Attaching the double-sided tape

- Attach the double-sided adhesive (SS) to the wall dock (MM). Peel off the other side of the double-sided adhesive (SS).



3 Pressing the Wall Dock onto the Surface

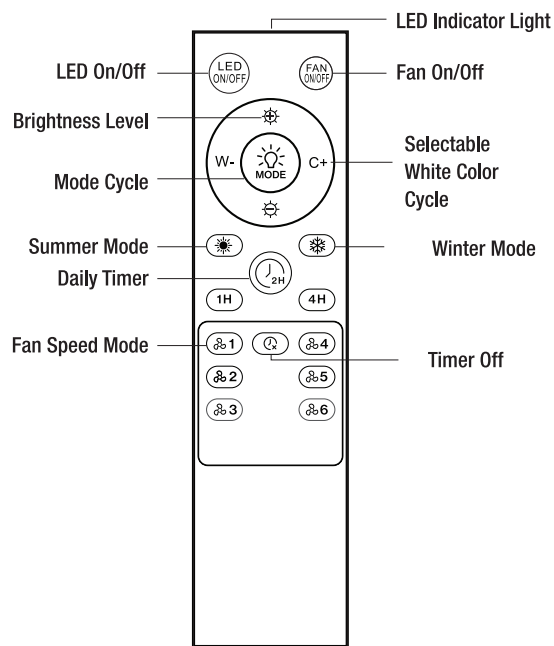
- Position the wall dock (MM) to the desired area. Press the wall dock (MM) backplate onto the surface and hold for 30 seconds to ensure the wall dock is held securely.




Remote Operation

Remote Control Button Configurations

- ❑ **LED Indicator Light:** LED indicator light will flash when a button is pressed to signify that the battery is still charged.
- ❑ **LED On/Off:** Press this button to turn all lights on & off.
- ❑ **FAN On/Off:** Press this button to turn the fan on & off.
- ❑ **MODE:** Press this button to cycle through the 3 light modes
Mode 1 - Light bulbs only
Mode 2 - Light bulbs + LED down light
Mode 3 - Up light only
- ❑ **Selectable White Color Cycle:** Press the W- and C+ buttons left and right on the wheel selection to rotate through Soft White (2700K), Bright White (3000K), Neutral White (3500K), Cool White (4000K), and Daylight (5000K).
- ❑ **Brightness Level:** Press these buttons up and down on the wheel selection to adjust the brightness.
- ❑ **Summer Mode:** Press this button to toggle fast fan speed and counterclockwise rotation. Ideal for summer season.
- ❑ **Winter Mode:** Press this button to toggle slow fan speed and clockwise rotation to circulate warm air. Ideal for winter season.
- ❑ **Fan Speed:** Press this button to select the speed of the fan rotations. Speed '1' is the slowest setting. Speed '6' is the fastest setting.
- ❑ **Daily Timer:** Press the timer button to set how long the ceiling fan will remain on (1Hr, 2Hr, 4Hr). After the set hours expires, the fan and/or light will turn off.
- ❑ **Timer Off:** Press this button to cancel any timer setting.




 **NOTE:** The fixture will retain the previously selected configuration even after the wall switch is turned off and back on. When power is restored, the fixture will resume operation using the last saved settings.

 **NOTE:** The ceiling fan remote operates within a 50 ft range.

Pairing the Remote to the Fixture

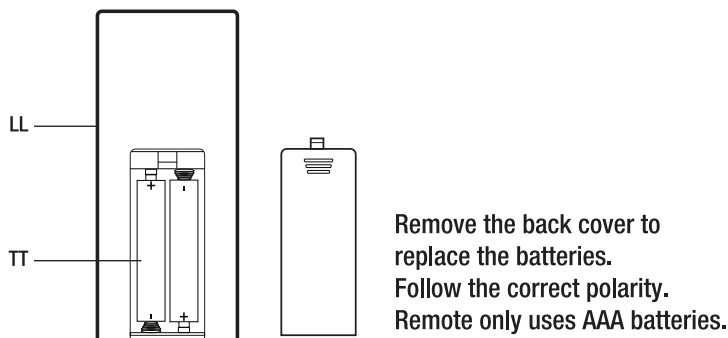
1. Turn off the power to the fixture at the wall switch.
2. Turn the power back on.
3. Within 3 seconds of restoring power, press and hold the "LED On/Off" button on the remote control.
4. The LED downlight will flash once to confirm that the remote and fixture are successfully paired.

 **NOTE:** The remote control is pre-paired with the fixture. The following procedure is only required if the remote becomes unpaired.

Remote Battery Installation/Replacement

Accessing the Batteries

- ❑ Slide the battery cover off of the back of the remote control (LL) to expose the battery compartment and install or replace the AAA batteries (TT).





Need Help?

Thank you for your purchase.

Questions, comments or feedback?

We'd love to hear from you.

Visit feit.com/help for support or connect with us:



@FeitElectric



@FeitElectricInc



feitelectriclighting