



Manufactured by:
Backyard Discovery
3305 Airport Drive, Pittsburg, KS 66762
800-856-4445

Basepoint Business Centre: Rivermead Drive, Westlea, Swindon SN5 7EX Phone: 0800-118-2476
J.P. Coenstraat 7, The Bridge, The Hague, 2595 WP, Netherlands Phone: 08005678990

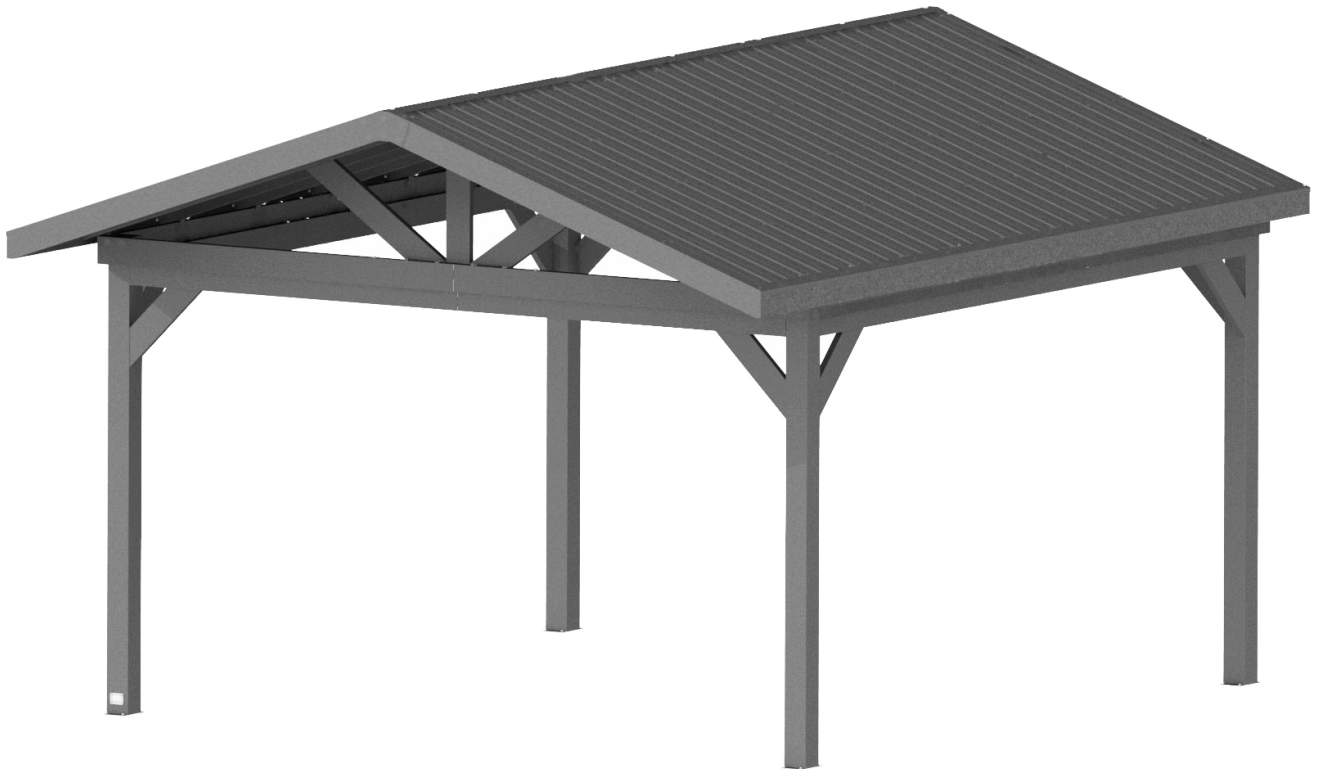
18x14 LANCASTER GAZEBO

MODEL #: 2506121



WARNING

Cancer and Reproductive Harm
www.P65Warnings.ca.gov



Please visit www.backyarddiscovery.com
For the most up to date assembly manual, to register your product, or to order
replacement parts Para obtener instrucciones en español, visite
www.backyarddiscovery.com



EASY STEP-BY-STEP
3D INTERACTIVE INSTRUCTIONS
DOWNLOAD THE FREE APP



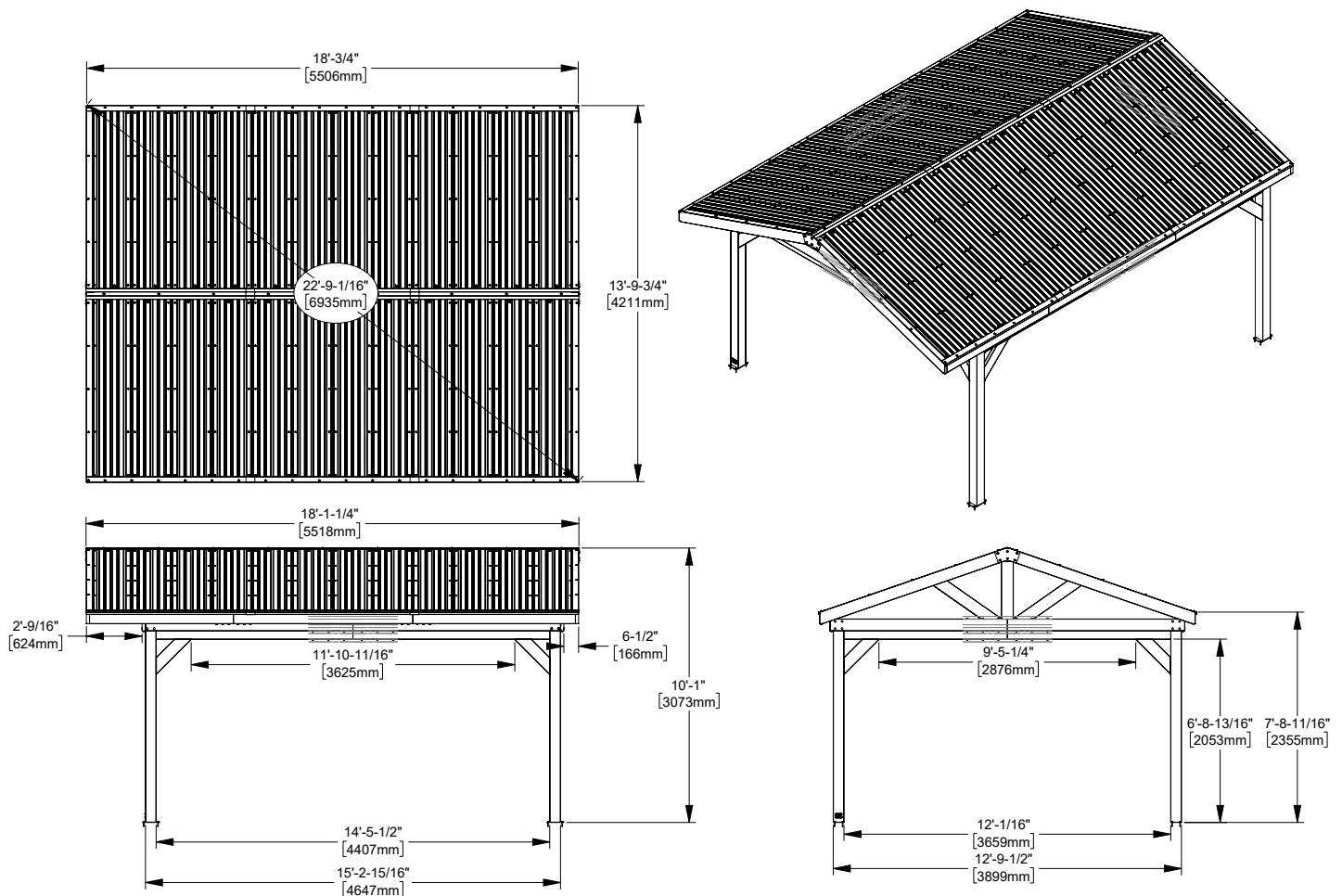
OWNER'S MANUAL - BASIC SETUP DIMENSIONS & ASSEMBLY NOTES

It is critically important that you start with square and level footings or concrete pad to attach your structure.

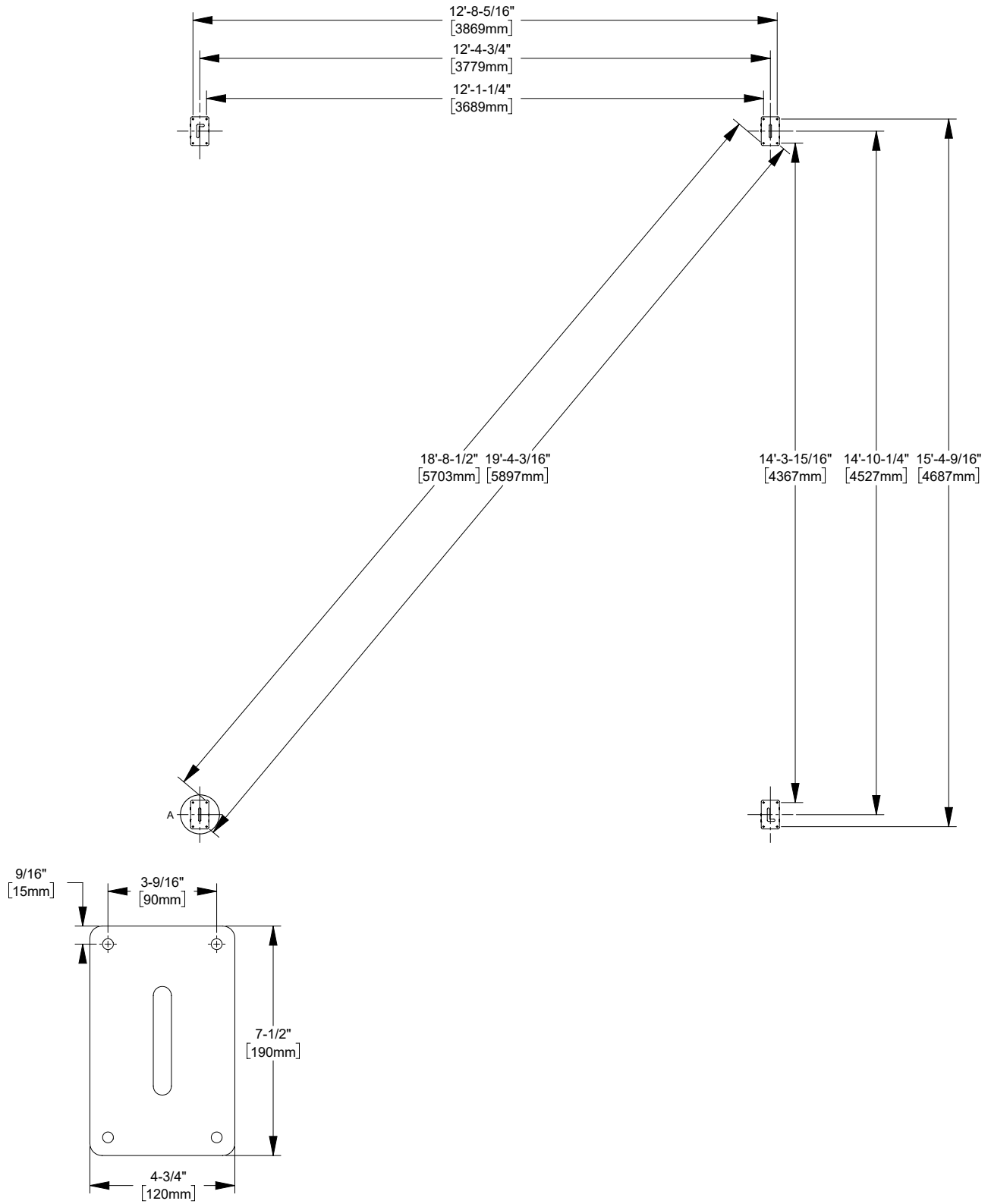
- Pay close attention to the items needed for each step. Make sure you are using the correct hardware for each step. Using incorrect hardware may result in improper assembly
- Remember to double check for underground utilities and overhead electrical lines

Post mounts are provided with your structure which allows you to permanently install your structure to a pre-existing or new wood or concrete surface. See Anchor Instructions for further details and recommendations.

- The hardware to attach the post mounts to the structure is included.
- The hardware to mount the structure permanently to a concrete surface is included.
- The hardware to mount the structure permanently to a wood deck is NOT included and will need to be purchased separately. You must ensure there is ample structural support under the deck before permanently attaching.



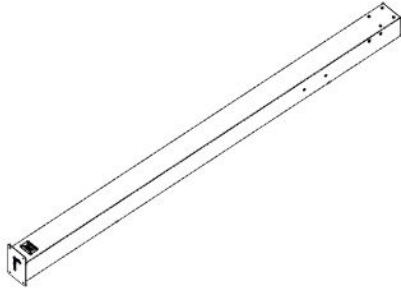
OWNER'S MANUAL - ANCHORING LAYOUT



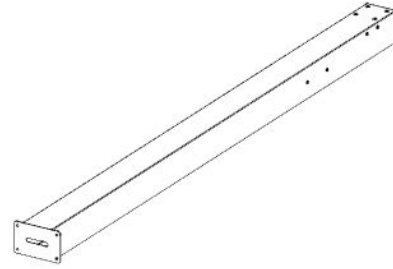
NOTE: DIMENSIONS ARE TO ANCHOR PLATES MOUNTED TO POSTS EXCEPT WHERE NOTED.

OWNER'S MANUAL - PARTS IDENTIFICATION

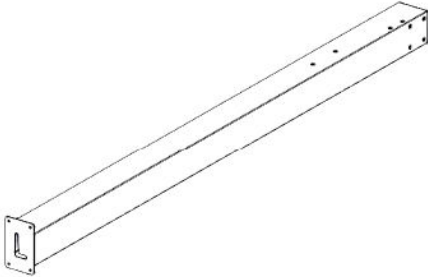
METAL COMPONENTS (NOT TO SCALE)



P01 FRONT POST - A4M04409
(x1) 4 3/4"x7 1/2"x89 9/16" (120x190x2275)



P02 POST ASSEMBLY - A4M04410
(x2) 4 3/4"x7 1/2"x89 9/16" (120x190x2275)



P04 POST ASSEMBLY - A4M04412
(x1) 4 3/4"x7 1/2"x89 9/16" (120x190x2275)



B01 SIDE BEAM ASSEMBLY - A4M04433
(x2) 1 7/16"x5 1/4"x91 1/2" (36x134x2324.20)



B02 SIDE BEAM ASSEMBLY - A4M04431
(x2) 1 7/16"x5 1/4"x86 3/4" (36x134x2203.20)



B03 FRONT BEAM ASSEMBLY - A4M03509
(x2) 78 3/16"x5 1/4"x1 7/16" (36x134x1986)



B04 FRONT BEAM ASSEMBLY - A4M03510
(x2) 78 3/16"x5 1/4"x1 7/16" (36x134x1986)



B05 FRONT BEAM ASSEMBLY - A4M03511
(x2) 72"x5 1/4"x1 7/16" (36x134x1829)



B06 FRONT BEAM ASSEMBLY - A4M03512
(x2) 72"x5 1/4"x1 7/16" (36x134x1829)



B07 GABLE ARM ASSEMBLY - A4M03513
(x2) 29 3/16"x5 1/4"x1 7/16" (36x134x741)

OWNER'S MANUAL - PARTS IDENTIFICATION

METAL COMPONENTS (NOT TO SCALE)



B08 GABLE ARM ASSEMBLY - A4M03514
(x2) 40 1/16"x5 1/4"x1 7/16" (36x134x1017)



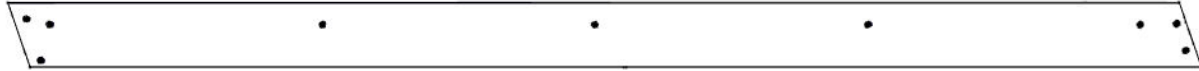
B09 GABLE ARM ASSEMBLY - A4M03515
(x2) 40 1/16"x5 1/4"x1 7/16" (36x134x1017)



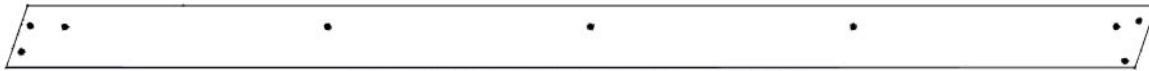
B10 RIDGE BEAM ASSEMBLY - A4M04435
(x1) 1 7/16"X5 1/4"X73 1/16" (36x134x1856)



B11 RIDGE BEAM - A4M04436
(x1) 1 7/16"X5 1/4"X64 13/16" (36x134x1646.66)



B12 GABLE BEAM ASSEMBLY - A4M03518
(x2) 88 13/16"x5 1/4"x1 7/16" (36x134x2255)



B13 GABLE BEAM ASSEMBLY - A4M03519
(x2) 88 13/16"x5 1/4"x1 7/16" (36x134x2255)



B14 DRIP BEAM ASSEMBLY - A4M04437
(x2) 1 7/16"X4 13/16"X71 5/8" (36x122x1820)



B15 DRIP BEAM ASSEMBLY - A4M04438
(x2) 1 7/16"X4 13/16"X63 7/16" (36x122x1610.66)



B16 SIDE BEAM ASSEMBLY - A4M04432
(x2) 86 3/4"x5 1/4"x1 7/16" (36x134x2203.20)



B17 SIDE BEAM ASSEMBLY - A4M04434
(x2) 91 1/2"x5 1/4"x1 7/16" (36x134x2324.20)



B18 DRIP BEAM ASSEMBLY - A4M04795
(x2) 1 7/16"X4 13/16"X79 1/16" (36x122x2007.74)



B19 RIDGE BEAM ASSEMBLY - A4M04791
(x1) 1 7/16"X5 1/4"X79 1/16" (36x134x2007.74)



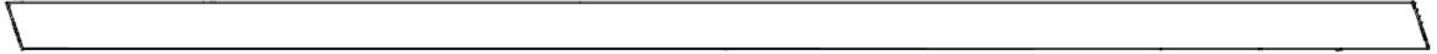
R01 RAFTER ASSEMBLY - A4M03522
(x2) 86 3/8"x4 5/16"x3 1/8" (80x110x2194.6)



R02 RAFTER ASSEMBLY - A4M03523
(x2) 86 3/8"x4 5/16"x3 1/8" (80x110x2194.6)

OWNER'S MANUAL - PARTS IDENTIFICATION

METAL COMPONENTS (NOT TO SCALE)



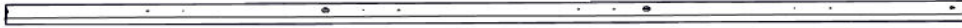
R03 RAFTER ASSEMBLY - A4M03524
(x12) 86 3/8"x4 5/16"x3 1/8" (80x110x2194.6)



E01 PURLIN ASSEMBLY - A4M04439
(x10) 1 9/16"x1 15/16"x76 1/2" (40x50x1942.69)



E02 PURLIN ASSEMBLY - A4M04790
(x10) 58 3/8"x1 15/16"x1 9/16" (40x50x1482.18)



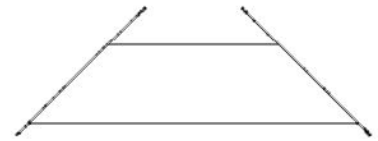
E03 PURLIN - A4M04911
(x10) 79"x1 9/16"x13/16" (20x40x2006.53)



C01 CORBEL ASSEMBLY - A4M03525
(x4) 21 13/16"x5 1/4"x2 3/4" (70x134x553.5)



C02 CORBEL ASSEMBLY - A4M03526
(x4) 21 13/16"x5 1/4"x2 3/4" (70x134x553.5)



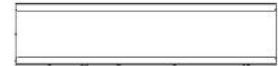
C03 CORBEL ASSEMBLY - A4M03527
(x2) 23 3/8"x12"x1 7/16" (36x304x593)



J1 SPLICE BRACKET - A4M02230
(x8) 1 5/16"x5 3/16"x39 3/8" (33.2x131.2x1000)



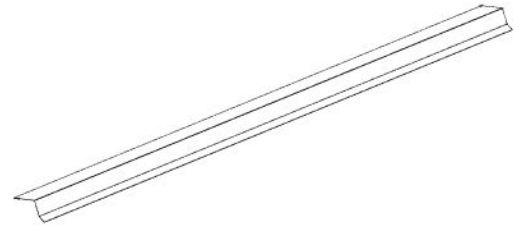
J2 SPLICE BRACKET - A4M01270
(x2) 1 1/4"x5 1/8"x15 3/4" (33x131x400)



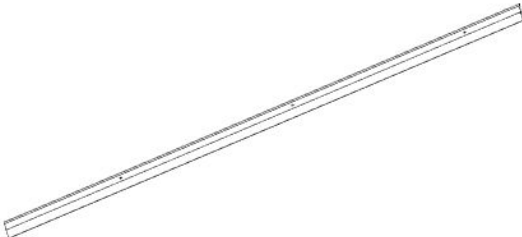
J6 SPLICE BRACKET - A4M03806
(x4) 19 11/16"x4 11/16"x32.5 (32.5x118.5x500)



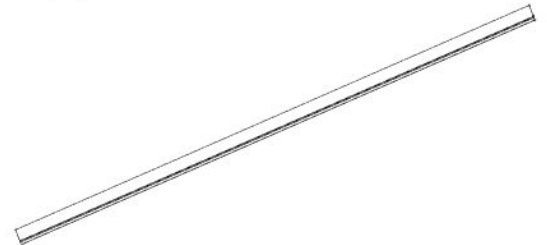
A4M03528 STEEL SHEETING
(x20)



A4M04792 DRIP TRIM
(x6)



A4M04794 RIDGE CAP
(x3)



A4M03532 EDGE TRIM
(x4)



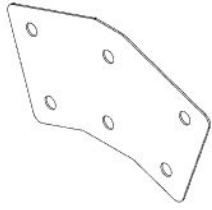
A4M03535 RIDGE CAP SPLICE
(x2)



A4M05365 DRIP TRIM SPLICE
(x4)

OWNER'S MANUAL - PARTS IDENTIFICATION

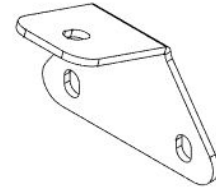
METAL COMPONENTS (NOT TO SCALE)



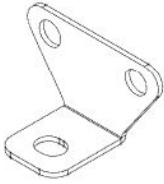
J3 GABLE BRACKET - A4M03805
(x2) 11 1/8"x6 7/16"x1/16" (2x163x282)



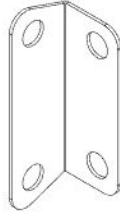
J4 BEAM BRACKET - A4M02990
(x8) 1"x1 5/16"x5 1/16" (25x33.2x128)



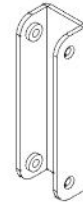
J5 RAFTER BRACKET - A4M03803
(x12) 3 5/8"x2 11/16"x2 1/16" (52x68x91.5)



J7 RAFTER BRACKET - A4M03802
(x4) 3 5/8"x2 3/16"x2" (50x55x92)



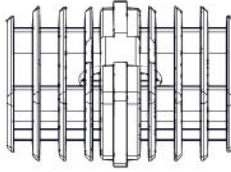
J8 GABLE BRACKET - A4M03804
(x4) 4 13/16"x1 9/16"x1 9/16" (40x40x123)



J9 BEAM BRACKET - A4M03807
(x4) 5 9/16"x1 5/16"x4 9/16" (140.57x33.20x116)



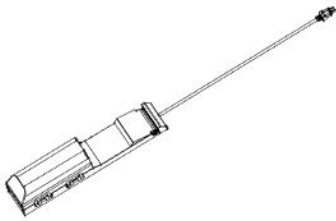
J10 SUPPORT RING - A4M03808
(x9) 13/16"x7/16" (11x20x)



A6P00530 2-WAY SQUARE PLUG
(x20)



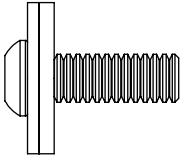
A4M01352 HOLE COVER
(x76)



9205413 ELECTRICAL ENCLOSURE
(x1)

OWNER'S MANUAL - PARTS IDENTIFICATION

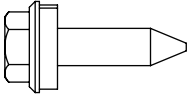
HARDWARE COMPONENTS



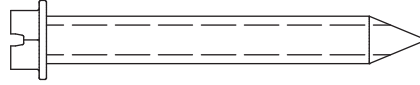
H101202 | TORX PAN HEAD
(x415) | 1/4-20x3/4 ASSY



H101293 | TORX PAN HEAD
(x9) | 1/4-20x1 3/8" BLK



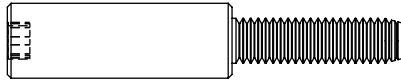
H101117 | SCREW WOODGRIP
(x240) | 10-16 x 3/4 BLK



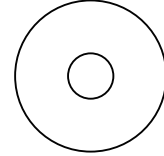
H100120 | CONCRETE ANCHOR
(x16) | 1/4"x2" BLK



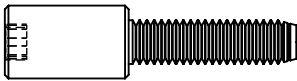
H101116 | SCREW SELF TAPPING
(x56) | 1/4x1 BLK



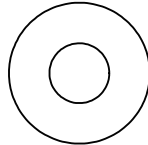
H101103 | TORX SOCKET SCREW
(x72) | 1/4-20 BLK



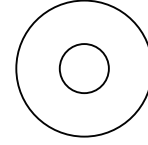
H101053 | STEEL WASHER
(x9) | 6x20 BLK



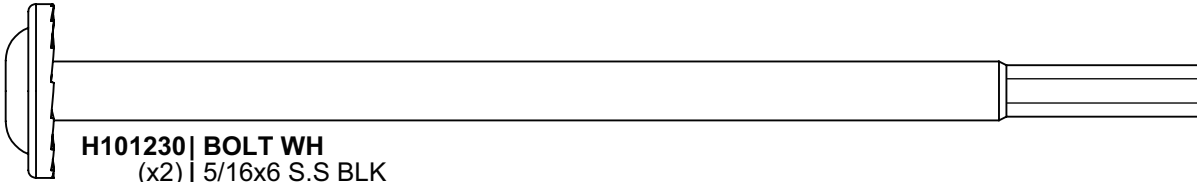
H101132 | TORX SOCKET SCREW SHORT
(x80) | 1/4-20 BLK



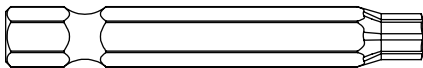
H100630 | WASHER FLAT
(x16) | 8x19 BLK



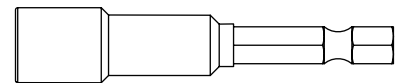
H101054 | SEALANT WASHER
(x9) | 6.5x18 BLK



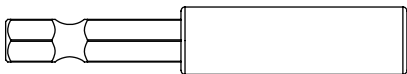
H101230 | BOLT WH
(x2) | 5/16x6 S.S BLK



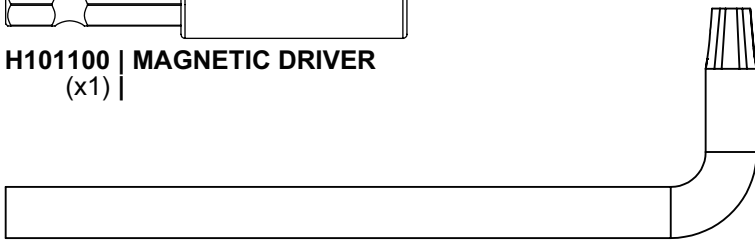
H100147 | TORX BIT
(x1) | T-30



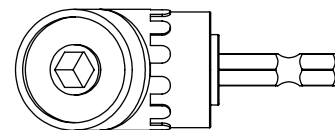
H101106 | SOCKET DRIVER
(x1) |



H101100 | MAGNETIC DRIVER
(x1) |



H100114 | TORX BIT
(x1) | T-30



**H101114 | RIGHT ANGLE
(x1) | DRILL ADAPTER**

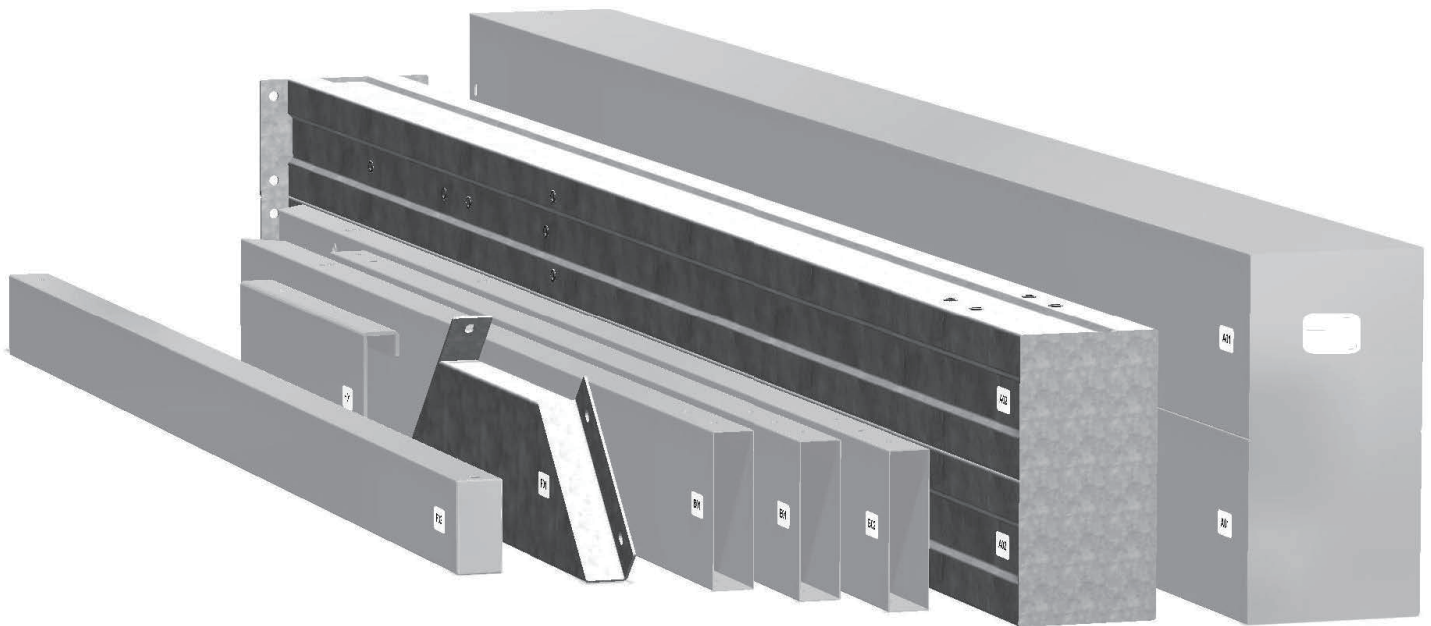
PRE-ASSEMBLY STEP 1 - SORTING PARTS

It is critical for ease of assembly that you take the time to sort and organize the parts and hardware.

METAL PARTS:

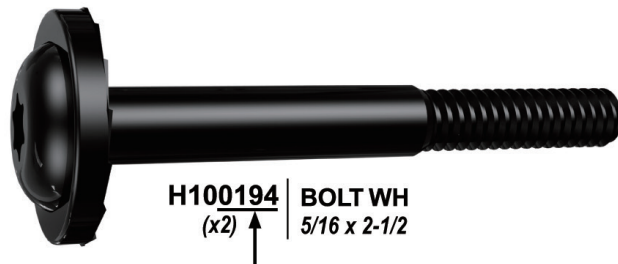
- Organize metal parts by the three-digit, alpha-numeric number stamped on each part (ex. P01).
- If there are multiple parts with the same stamped number, stack those pieces together.
- Stamps can be found on the flat surface of the parts or on the end of the parts.
- Allow yourself plenty of room - the parts can take up a significant amount of space.

NOTE: CARTONS ARE NOT ORGANIZED BY PART OR STEP NUMBER.



HARDWARE PARTS:

- We recommend that you have a separate table to organize the hardware.
- Hardware bags are printed with a seven-digit, alpha-numeric part number.
- You can organize your hardware by part number or group by hardware type (e.g. bolts, nuts, etc.).
- During assembly you only need to reference the last four digits of the number.



PRE-ASSEMBLY STEP 2 - TOOLS REQUIRED



Cordless Drill or
Electric Drill



Drill Attachments:
Phillips Head



1/8", 3/16", 3/8" &
7/16" Drill Bits



Phillips Screw Driver



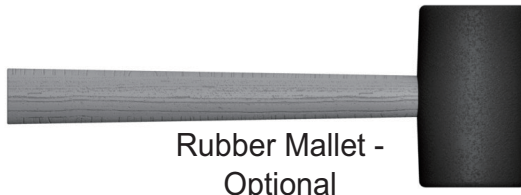
Open End Wrench
7/16"



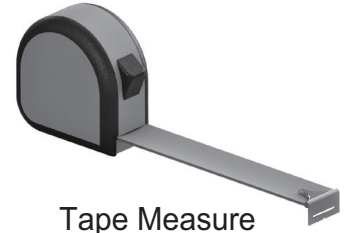
3/8" Drive Ratchet, 1/2" &
7/16" STD Sockets 1/2" & 7/16"
Deep Sockets



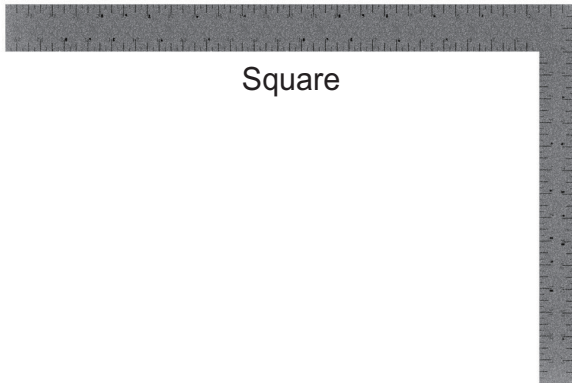
Claw Hammer



Rubber Mallet -
Optional



Tape Measure



Square

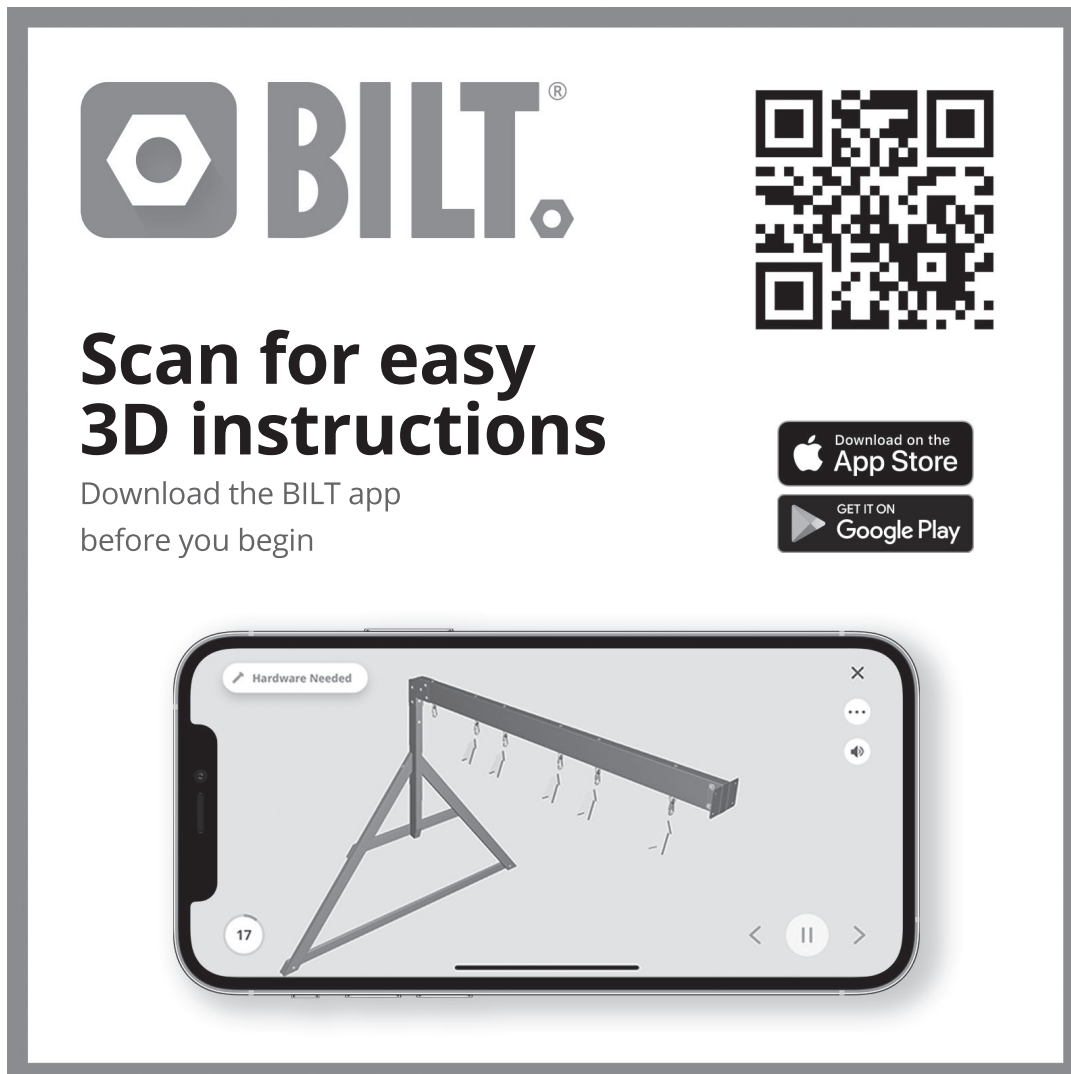


Level 24"

PRE-ASSEMBLY STEP 3 - CHOOSE YOUR ASSEMBLY METHOD

There are several types of assembly instructions available to you.

1. Printed Assembly Manual included with your set
2. BILT APP - 3D interactive instructions
3. Combination of the Printed Manual and BILT APP (Note: Step numbers can differ between the two methods)



The graphic features the BILT logo (a hexagon with a dot inside) and the word "BILT." in a bold, sans-serif font. To the right is a large QR code. Below the logo, the text "Scan for easy 3D instructions" is written in a large, bold font, followed by "Download the BILT app before you begin" in a smaller font. To the right of this text are two buttons: "Download on the App Store" and "GET IT ON Google Play". At the bottom, a smartphone screen displays a 3D assembly instruction for a metal frame, with a "Hardware Needed" label at the top left, a page number "17" at the bottom left, and navigation icons at the bottom right.

STEP 1 - BEAM ASSEMBLY

Qty	PartNo	Description
6	H101202	TORX PAN HEAD 1/4-20x3/4 ASSY



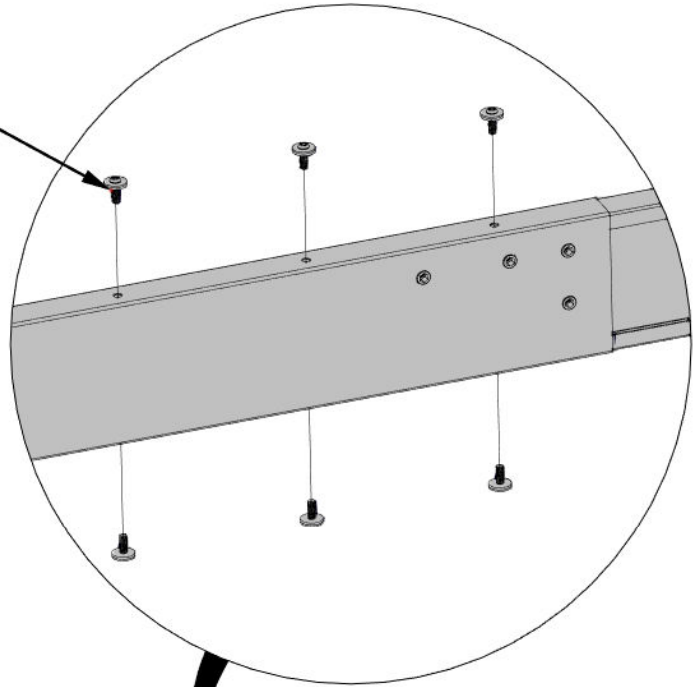
B04 FRONT BEAM ASSEMBLY - A4M03510
(x1) 78 3/16"x5 1/4"x1 7/16" (36x134x1986)



J1 SPLICE BRACKET - A4M02230
(x1) 1 5/16"x5 3/16"x39 3/8" (33.2x131.2x1000)

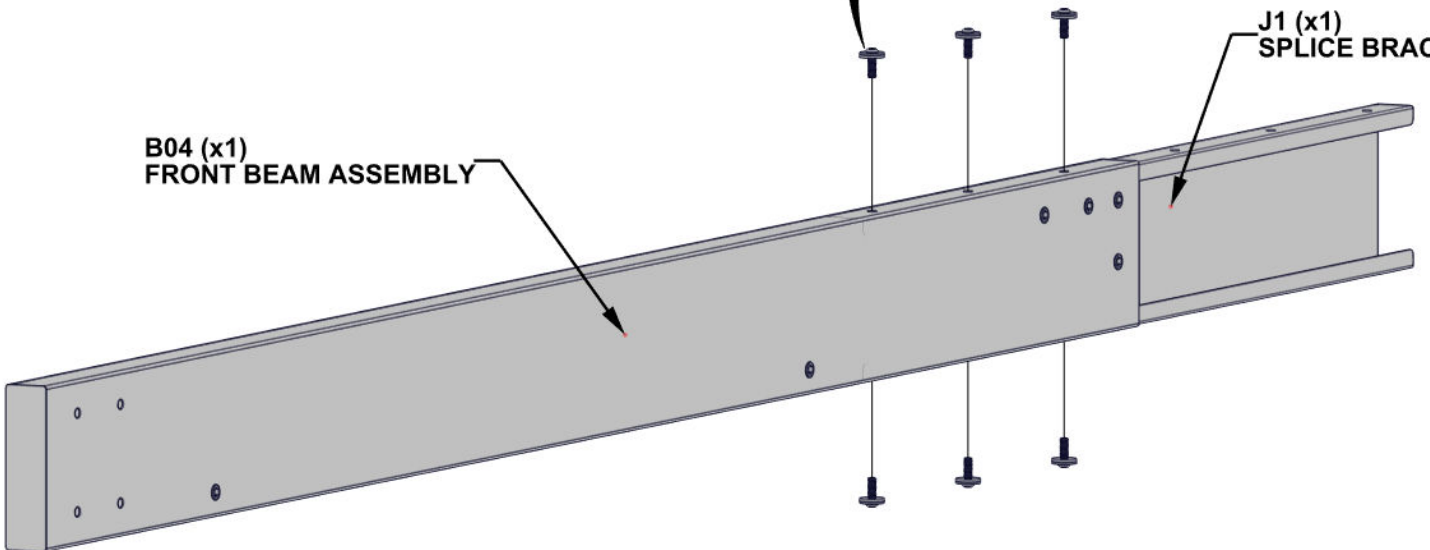
- FOR EASE OF ASSEMBLY, WE RECOMMEND USING SAW HORSES FOR STEPS 1 - 12.

1202 (x6)
TORX PAN HEAD 1/4-20x3/4 ASSY
HAND TIGHTEN ONLY



B04 (x1)
FRONT BEAM ASSEMBLY

J1 (x1)
SPLICE BRACKET



BEAM AND SPLICE MUST BE ORIENTED AS SHOWN ABOVE. SLIDE J1 INTO B04 AND LINE UP THREE HOLES TOP AND BOTTOM

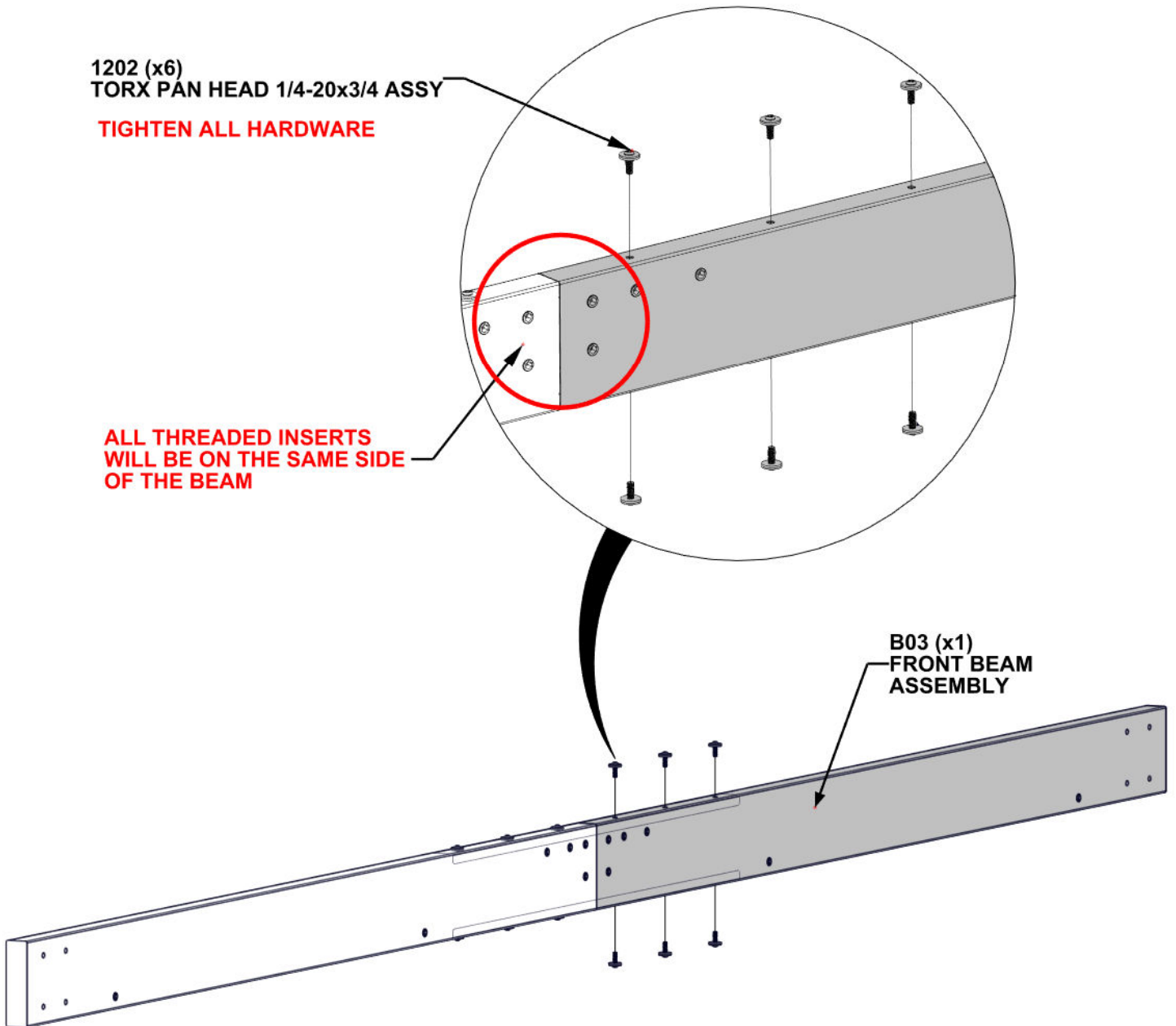
STEP 2 - BEAM ASSEMBLY

Qty	PartNo	Description
6	H101202	TORX PAN HEAD 1/4-20x3/4 ASSY



B03 FRONT BEAM ASSEMBLY - A4M03509
(x1) 78 3/16"x5 1/4"x1 7/16" (36x134x1986)

- SLIDE B03 ONTO SPLICE BRACKET.
GENTLY TAP ENDS OF ASSEMBLY WITH
RUBBER Mallet UNTIL GAP CLOSES.



STEP 3 - BEAM ASSEMBLY

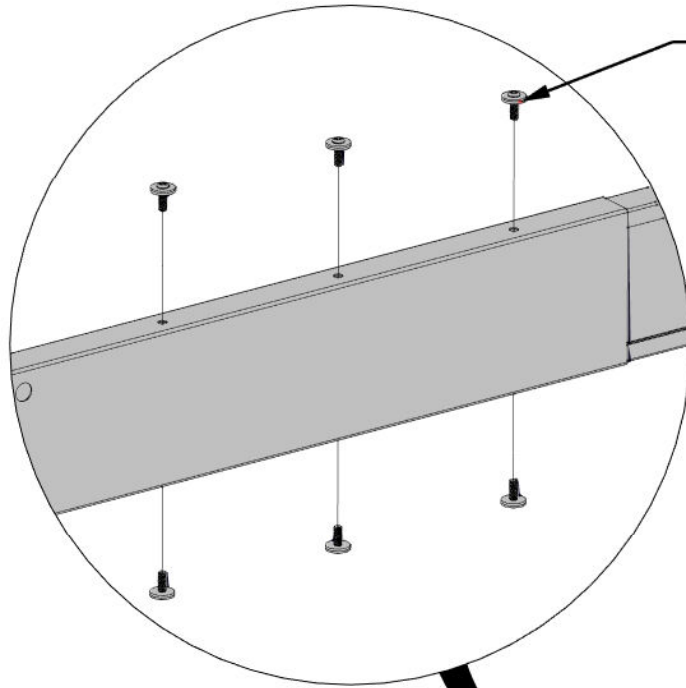
Qty	PartNo	Description
6	H101202	TORX PAN HEAD 1/4-20x3/4 ASSY



B06 FRONT BEAM ASSEMBLY - A4M03512
(x1) 72"x5 1/4"x1 7/16" (36x134x1829)

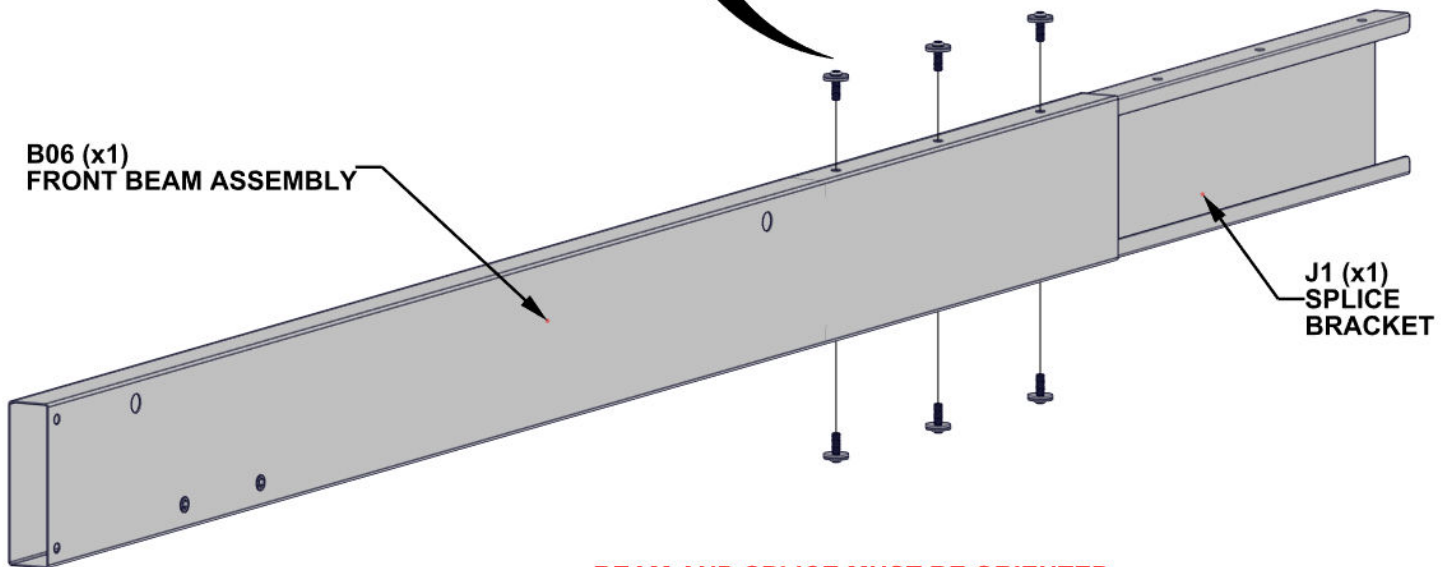


J1 SPLICE BRACKET - A4M02230
(x1) 1 5/16"x5 3/16"x39 3/8" (33.2x131.2x1000)



1202 (x6)
TORX PAN HEAD 1/4-20x3/4 ASSY

HAND TIGHTEN ONLY



BEAM AND SPLICE MUST BE ORIENTED AS SHOWN ABOVE. SLIDE J1 INTO B06 AND LINE UP THREE HOLES TOP AND BOTTOM

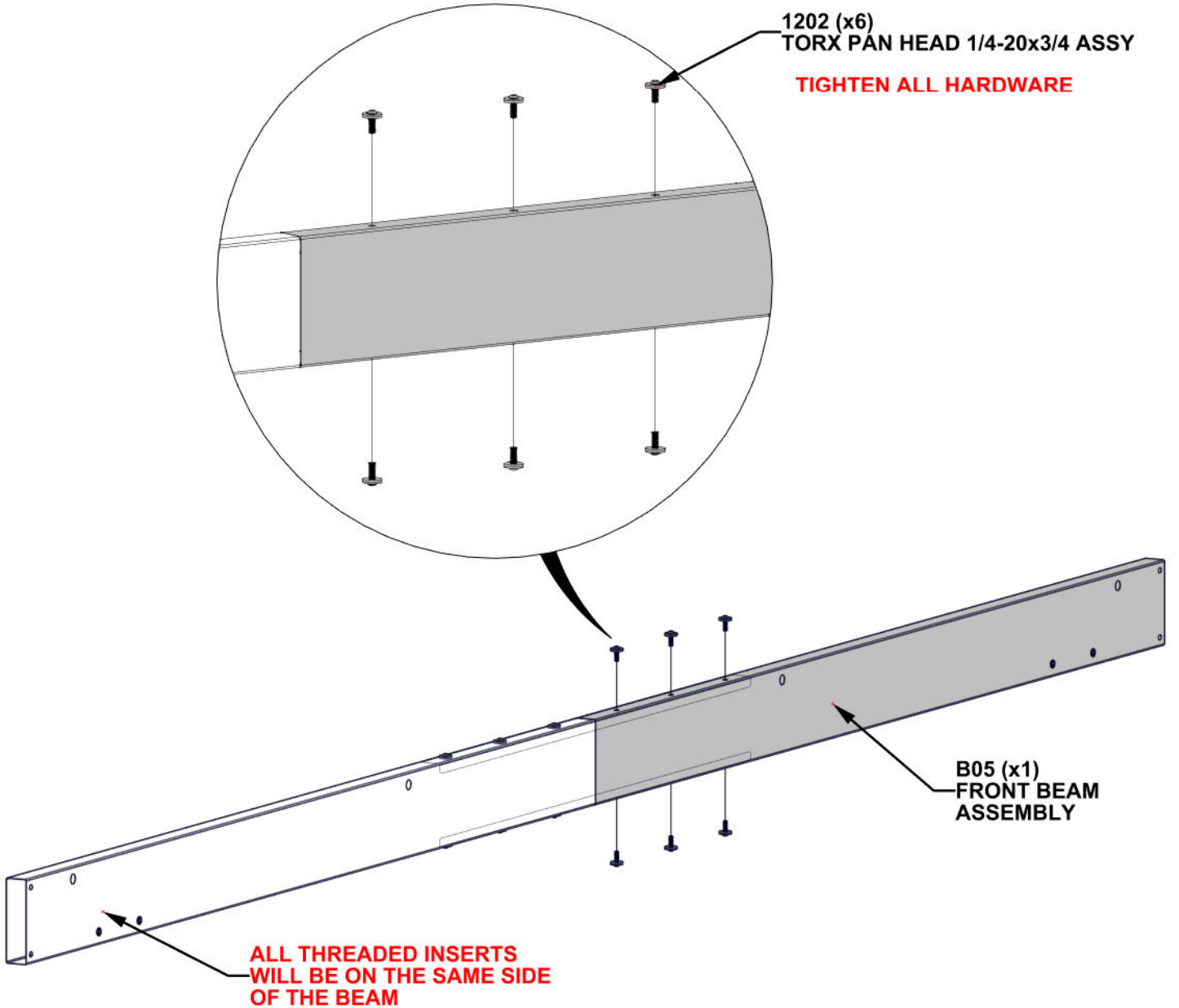
STEP 4 - BEAM ASSEMBLY

Qty	PartNo	Description
6	H101202	TORX PAN HEAD 1/4-20x3/4 ASSY



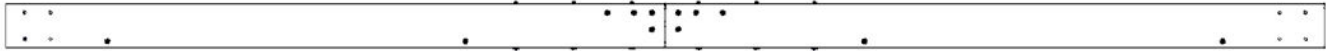
B05 FRONT BEAM ASSEMBLY - A4M03511
(x1) 72"x5 1/4"x1 7/16" (36x134x1829)

- SLIDE B05 ONTO SPLICE BRACKET.
GENTLY TAP ENDS OF ASSEMBLY WITH
RUBBER Mallet UNTIL GAP CLOSES.



STEP 5 - BEAM ASSEMBLY

Qty	PartNo	Description
4	H101103	TORX SOCKET SCREW 1/4-20

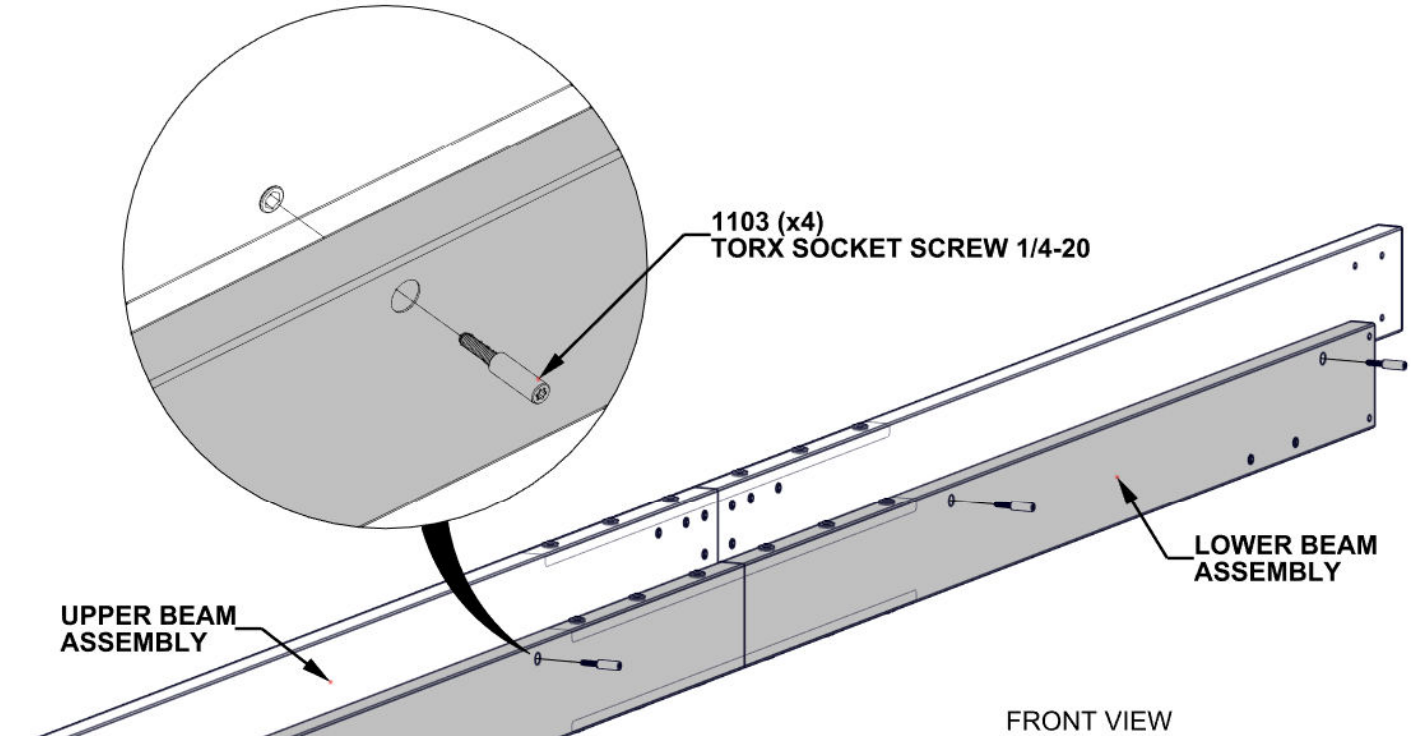


UPPER BEAM ASSEMBLY STEPS 1 - 2

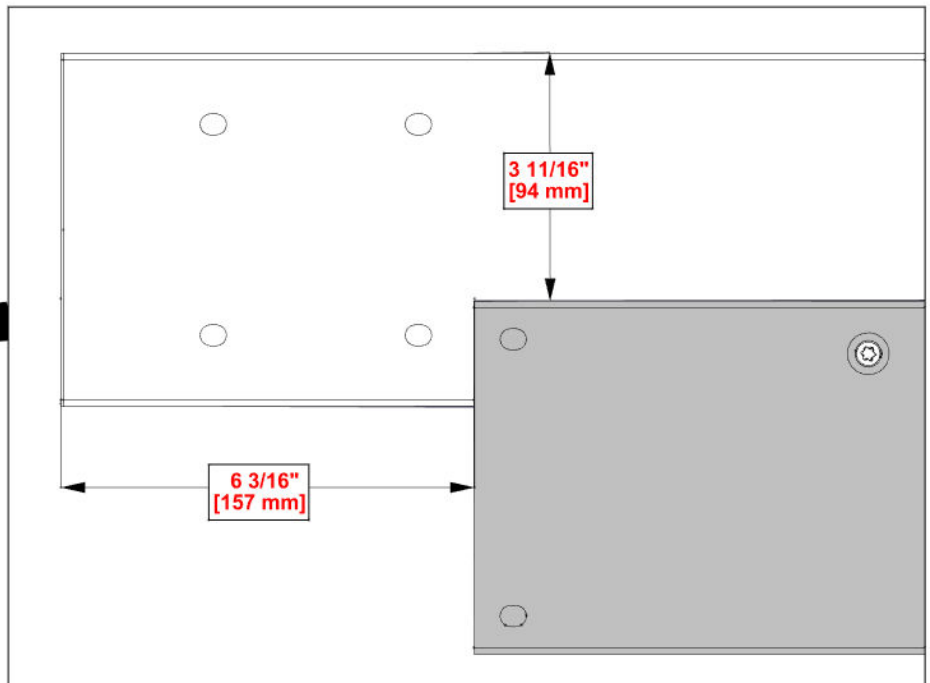


LOWER BEAM ASSEMBLY STEPS 3 - 4

- ALIGN THROUGH HOLES IN LOWER BEAM ASSEMBLY WITH THREADED INSERTS IN UPPER BEAM ASSEMBLY



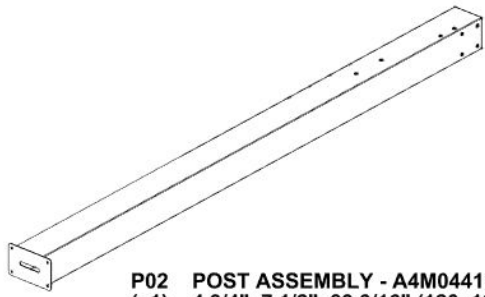
DIMENSIONS ARE THE SAME AT BOTH ENDS AND CRITICAL TO THE BEAM ASSEMBLY



**REPEAT BEAM ASSEMBLY
STEPS 1 THROUGH 5**

STEP 6 - POST ASSEMBLY

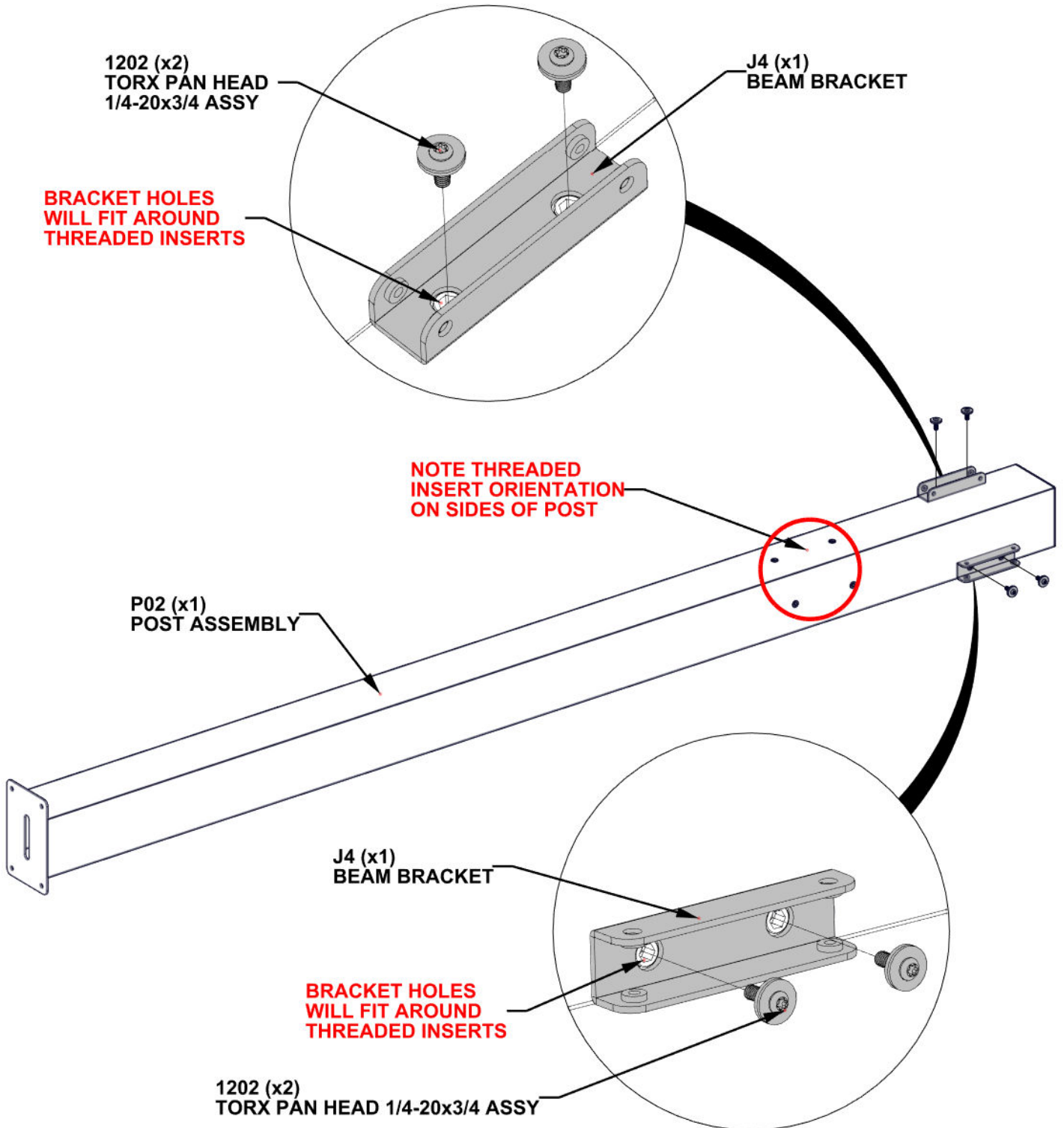
Qty	PartNo	Description
4	H101202	TORX PAN HEAD 1/4-20x3/4 ASSY



P02 POST ASSEMBLY - A4M04410
(x1) 4 3/4"x7 1/2"x89 9/16" (120x190x2275)

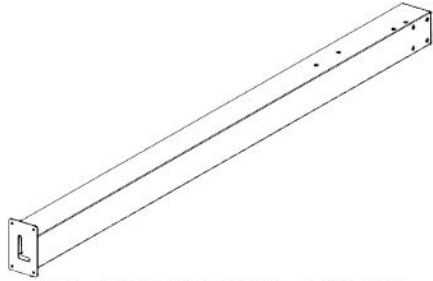


J4 BEAM BRACKET - A4M02990
(x2) 1"x1 5/16"x5 1/16" (25x33.2x128)

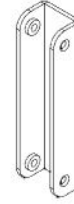


STEP 7 - POST ASSEMBLY

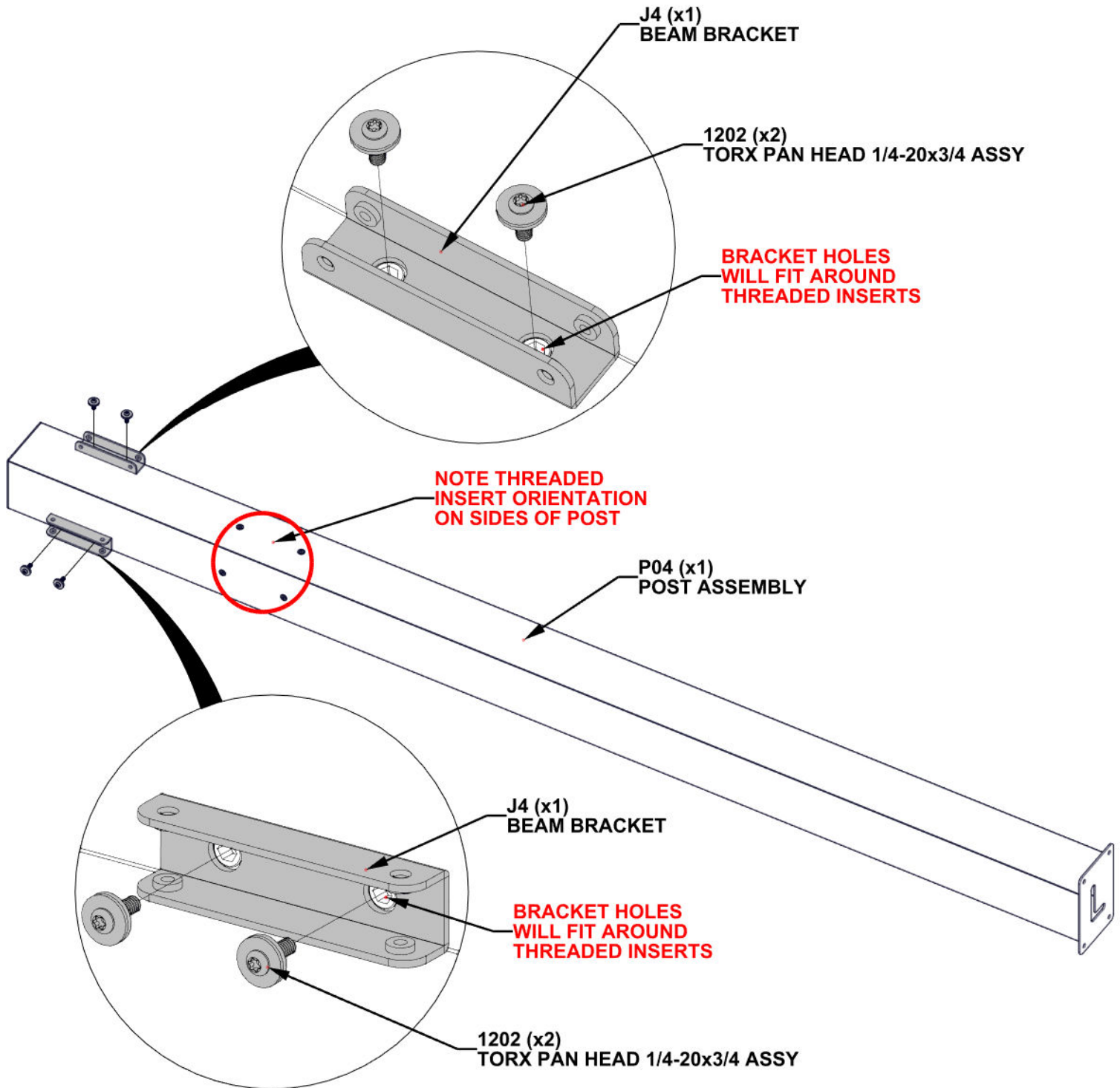
Qty	PartNo	Description
4	H101202	TORX PAN HEAD 1/4-20x3/4 ASSY



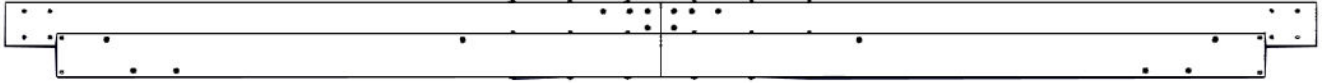
P04 POST ASSEMBLY - A4M04412
(x1) 4 3/4"x7 1/2"x89 9/16" (120x190x2275)



J4 BEAM BRACKET - A4M02990
(x2) 1"x1 5/16"x5 1/16" (25x33.2x128)

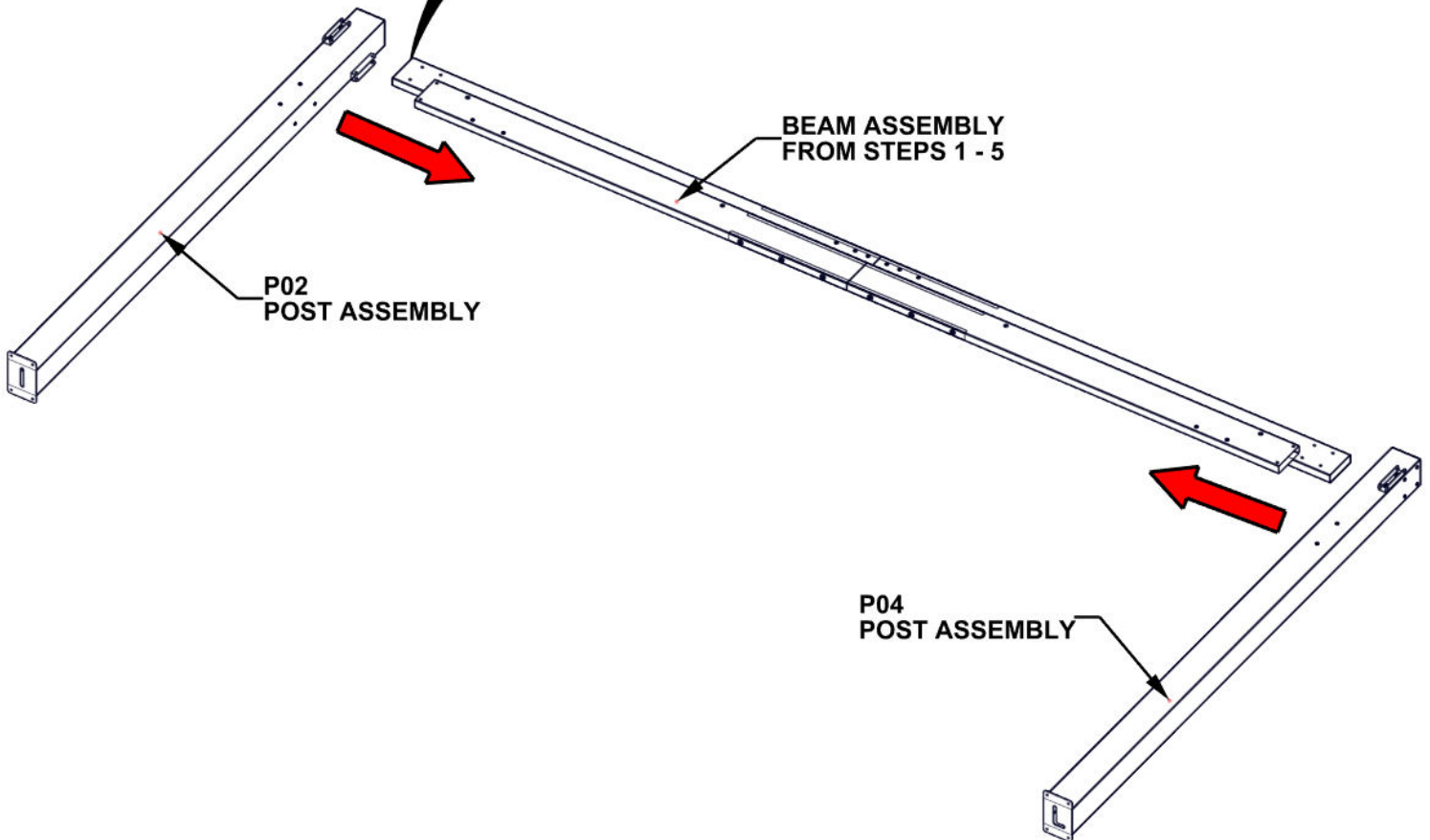
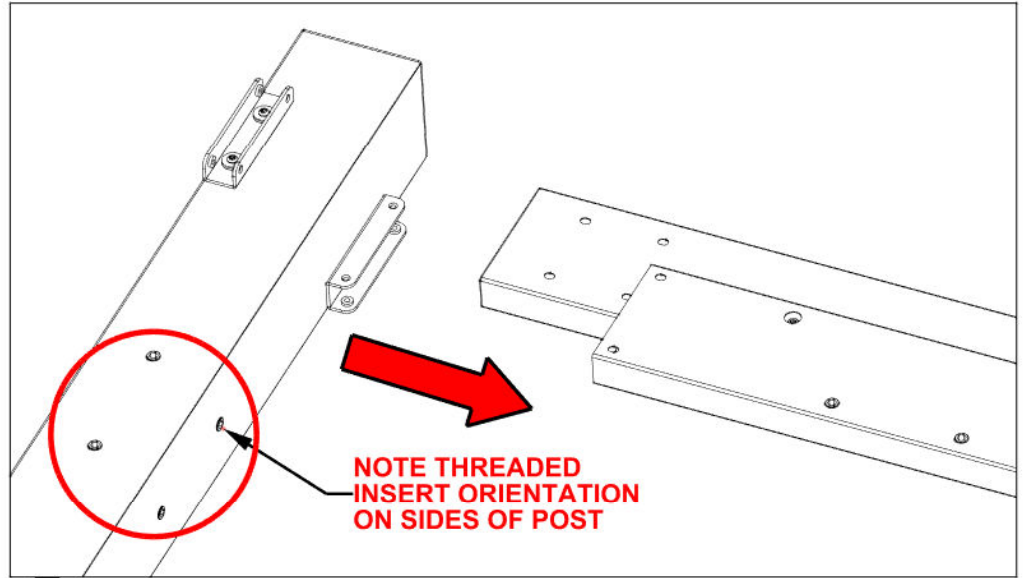


STEP 8A - FRAME ASSEMBLY



BEAM ASSEMBLY FROM STEPS 1 - 5

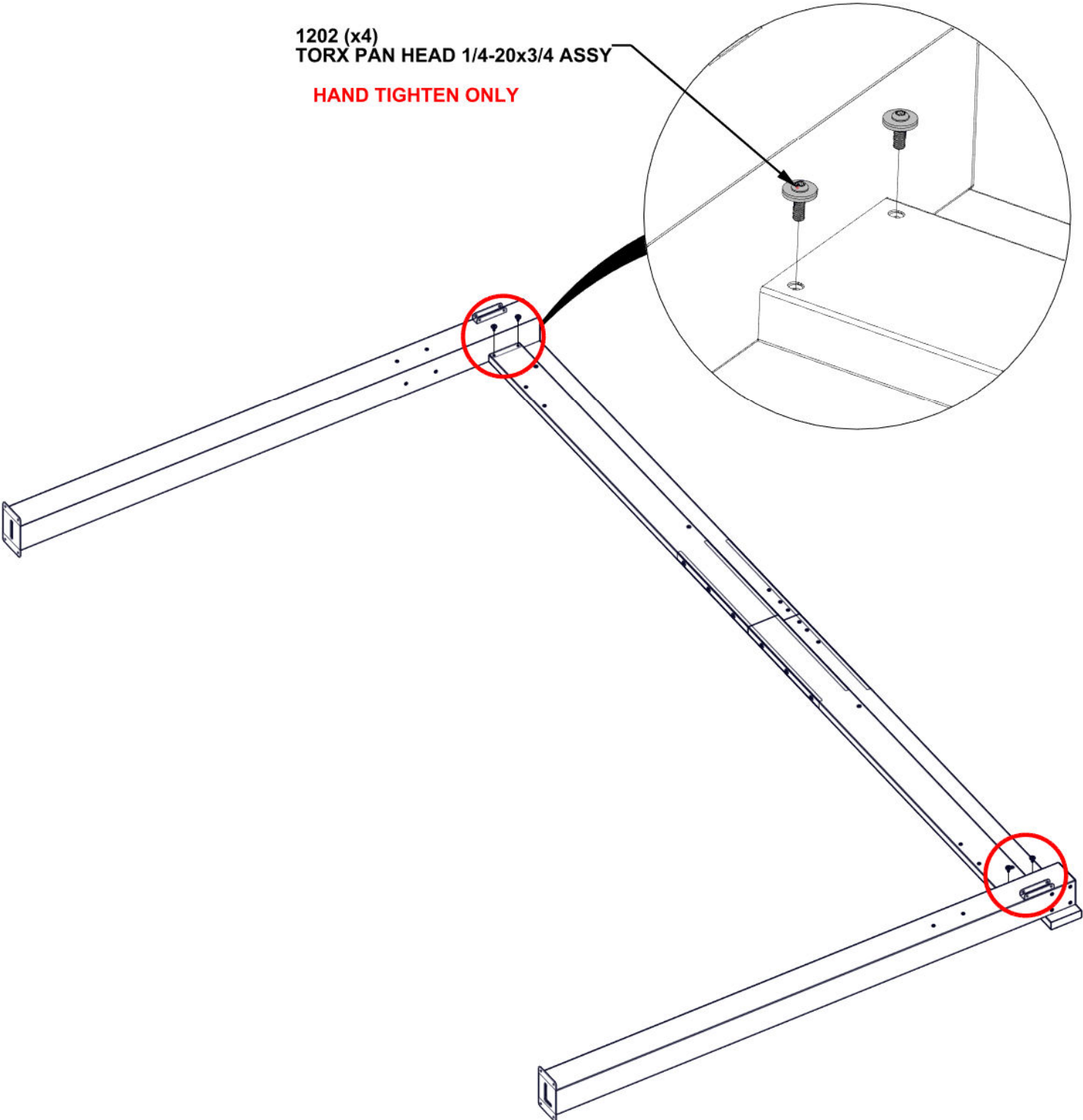
- SLIDE EACH POST ASSEMBLY INTO THE BEAM ASSEMBLY FROM STEPS 1 - 5.



STEP 8B - FRAME ASSEMBLY

Qty	PartNo	Description
4	H101202	TORX PAN HEAD 1/4-20x3/4 ASSY

1202 (x4)
TORX PAN HEAD 1/4-20x3/4 ASSY
HAND TIGHTEN ONLY



STEP 8C - FRAME ASSEMBLY

Qty	PartNo	Description
8	H101202	TORX PAN HEAD 1/4-20x3/4 ASSY

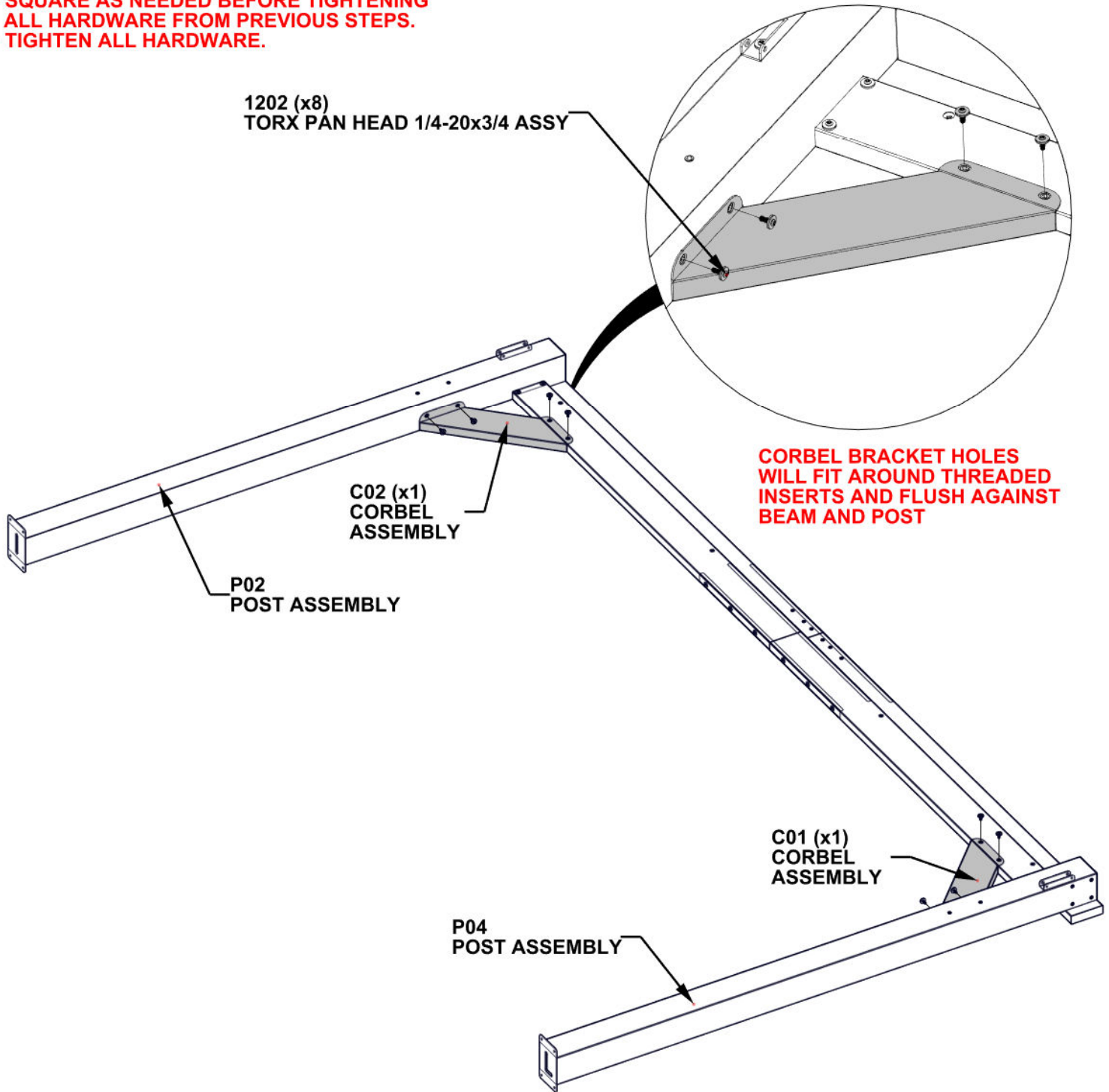


C01 CORBEL ASSEMBLY - A4M03525
(x1) 21 13/16"x5 1/4"x2 3/4" (70x134x553.5)



C02 CORBEL ASSEMBLY - A4M03526
(x1) 21 13/16"x5 1/4"x2 3/4" (70x134x553.5)

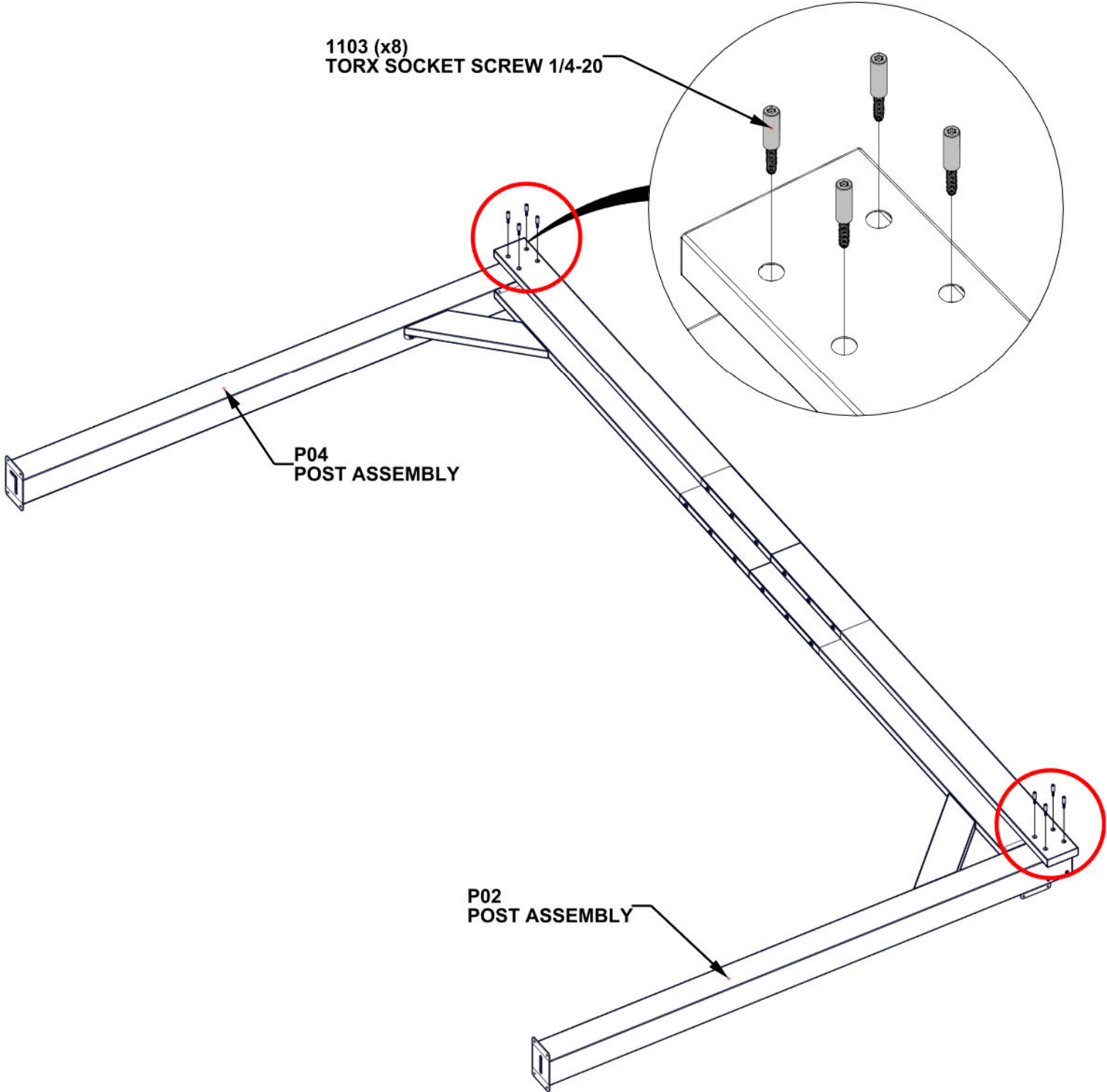
- ATTACH CORBELS TO BEAM AND POST.
- **SQUARE AS NEEDED BEFORE TIGHTENING ALL HARDWARE FROM PREVIOUS STEPS.**
- **TIGHTEN ALL HARDWARE.**



STEP 8D - FRAME ASSEMBLY

Qty	PartNo	Description
8	H101103	TORX SOCKET SCREW 1/4-20

- WITH AN ADDITIONAL PERSON, TURN OVER POST AND BEAM ASSEMBLY



STEP 9A - BEAM ASSEMBLY

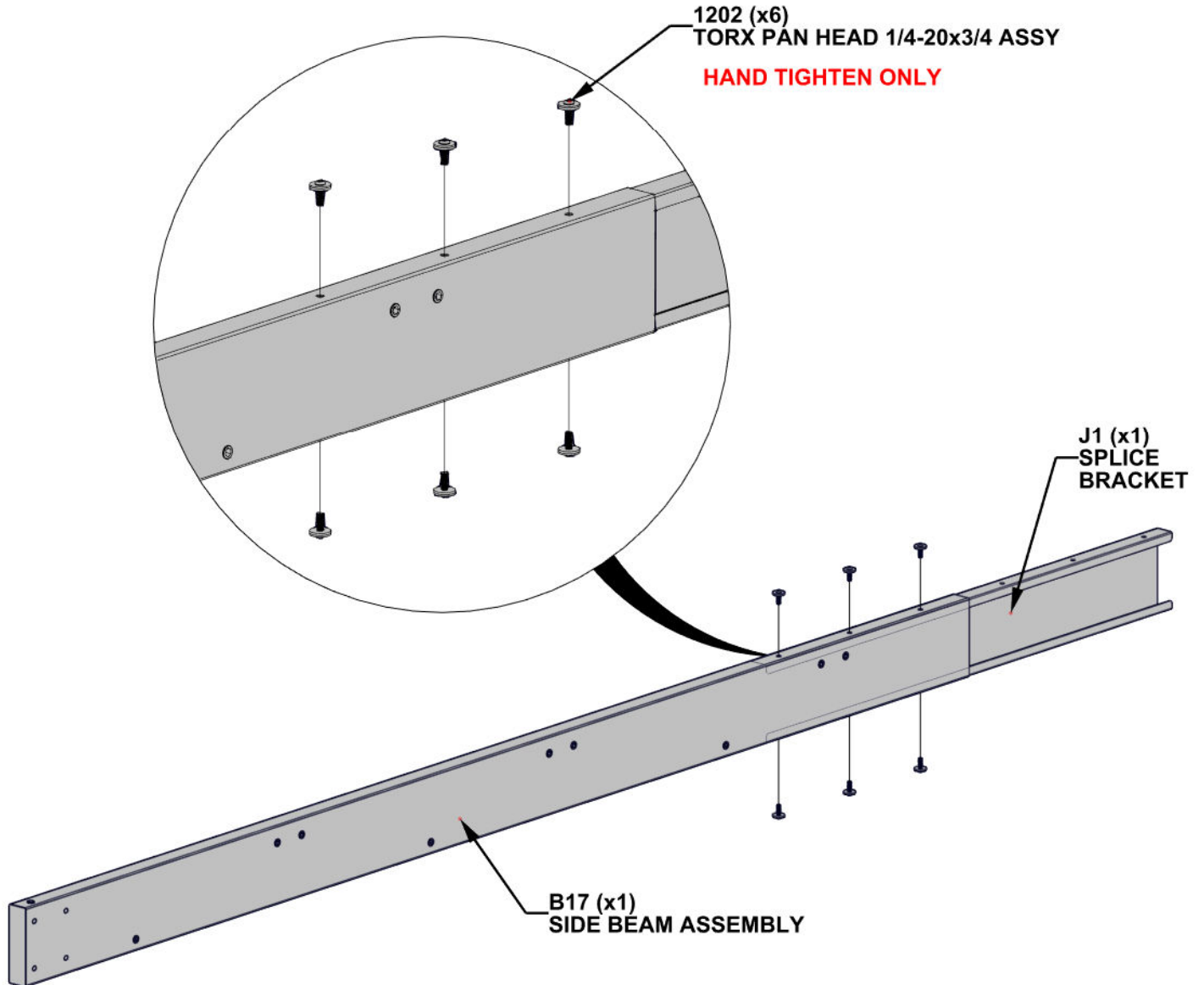
Qty	PartNo	Description
6	H101202	TORX PAN HEAD 1/4-20x3/4 ASSY



B17 SIDE BEAM ASSEMBLY - A4M04434
(x1) 91 1/2"x5 1/4"x1 7/16" (36x134x2324.20)



J1 SPLICE BRACKET - A4M02230
(x1) 1 5/16"x5 3/16"x39 3/8" (33.2x131.2x1000)



BEAM AND SPLICE MUST BE ORIENTED AS SHOWN ABOVE. SLIDE J1 INTO B17 AND LINE UP THREE HOLES TOP AND BOTTOM

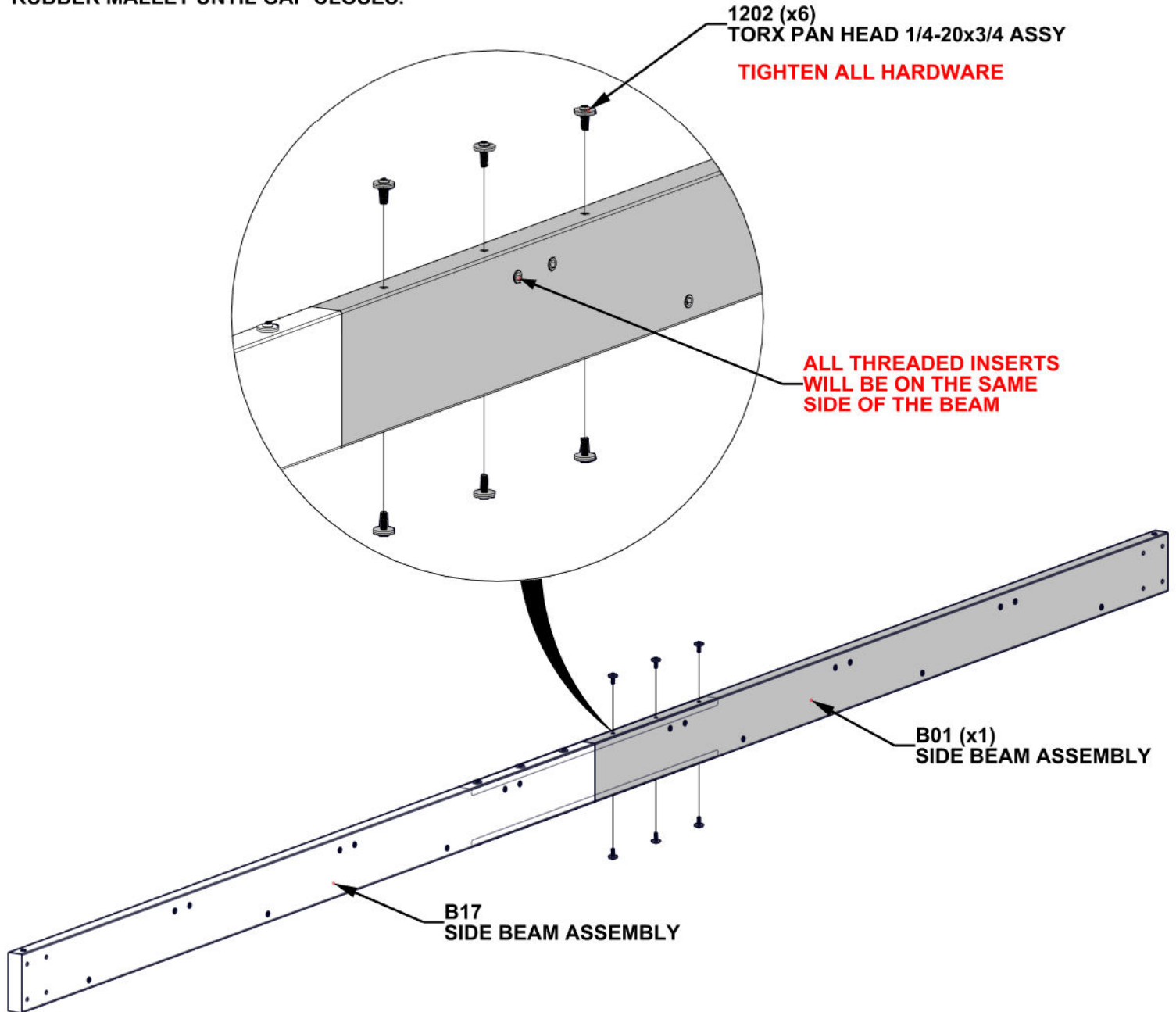
STEP 9B - BEAM ASSEMBLY

Qty	PartNo	Description
6	H101202	TORX PAN HEAD 1/4-20x3/4 ASSY



B01 SIDE BEAM ASSEMBLY - A4M04433
(x1) 1 7/16"X5 1/4"X91 1/2" (36x134x2324.20)

- SLIDE B01 ONTO SPLICE BRACKET.
GENTLY TAP ENDS OF ASSEMBLY WITH
RUBBER Mallet UNTIL GAP CLOSES.



STEP 9C - BEAM ASSEMBLY

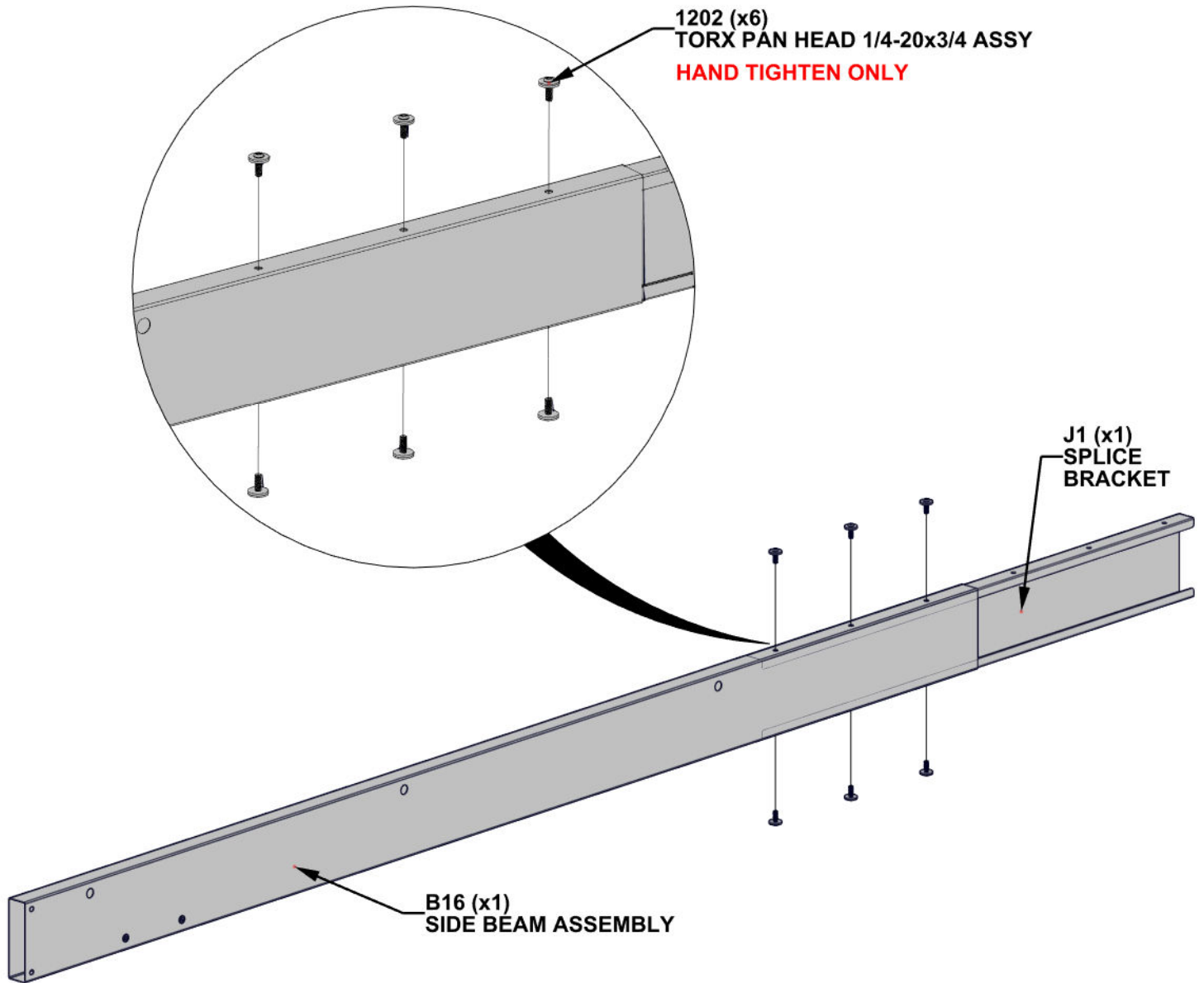
Qty	PartNo	Description
6	H101202	TORX PAN HEAD 1/4-20x3/4 ASSY



B16 SIDE BEAM ASSEMBLY - A4M04432
(x1) 86 3/4"x5 1/4"x1 7/16" (36x134x2203.20)



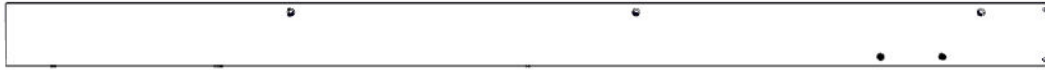
J1 SPLICE BRACKET - A4M02230
(x1) 1 5/16"x5 3/16"x39 3/8" (33.2x131.2x1000)



BEAM AND SPLICE MUST BE ORIENTED AS SHOWN ABOVE. SLIDE J1 INTO B16 AND LINE UP THREE HOLES TOP AND BOTTOM

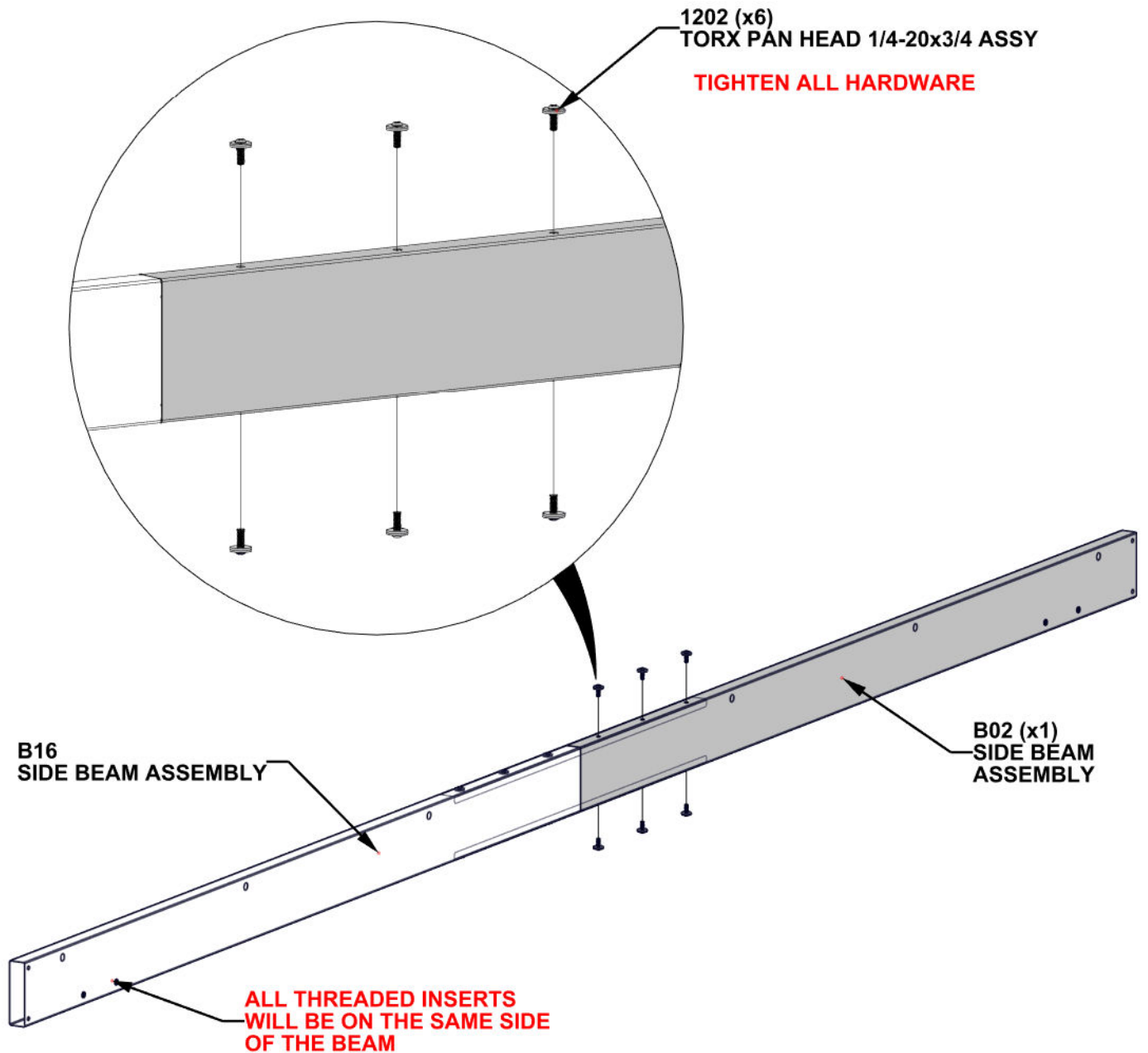
STEP 9D - BEAM ASSEMBLY

Qty	PartNo	Description
6	H101202	TORX PAN HEAD 1/4-20x3/4 ASSY



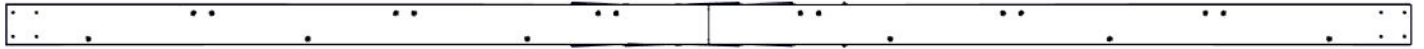
B02 SIDE BEAM ASSEMBLY - A4M04431
(x1) 1 7/16"X5 1/4"X86 3/4" (36x134x2203.20)

- SLIDE B02 ONTO SPLICE BRACKET.
GENTLY TAP ENDS OF ASSEMBLY WITH
RUBBER Mallet UNTIL GAP CLOSES.

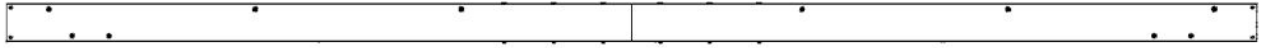


STEP 9E - BEAM ASSEMBLY

Qty	PartNo	Description
6	H101103	TORX SOCKET SCREW 1/4-20

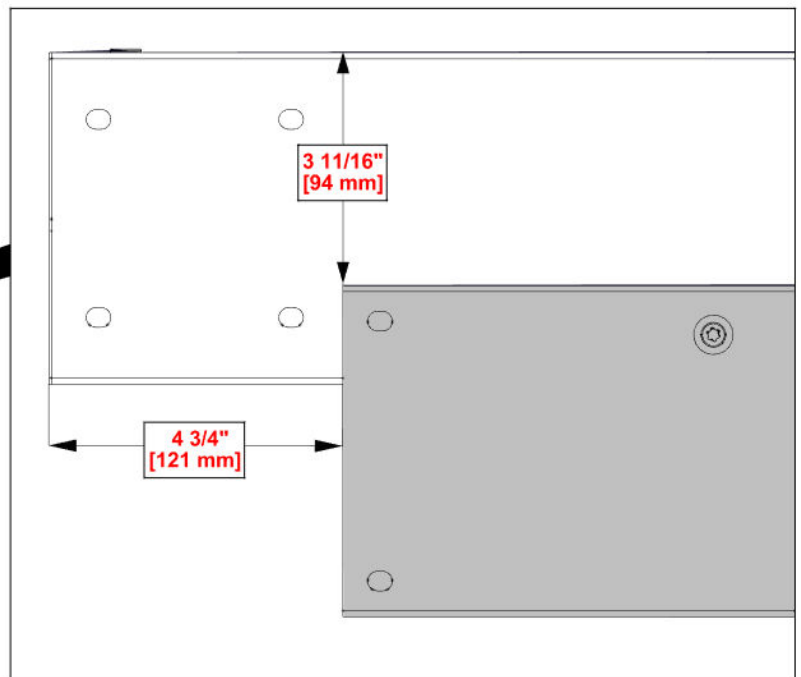
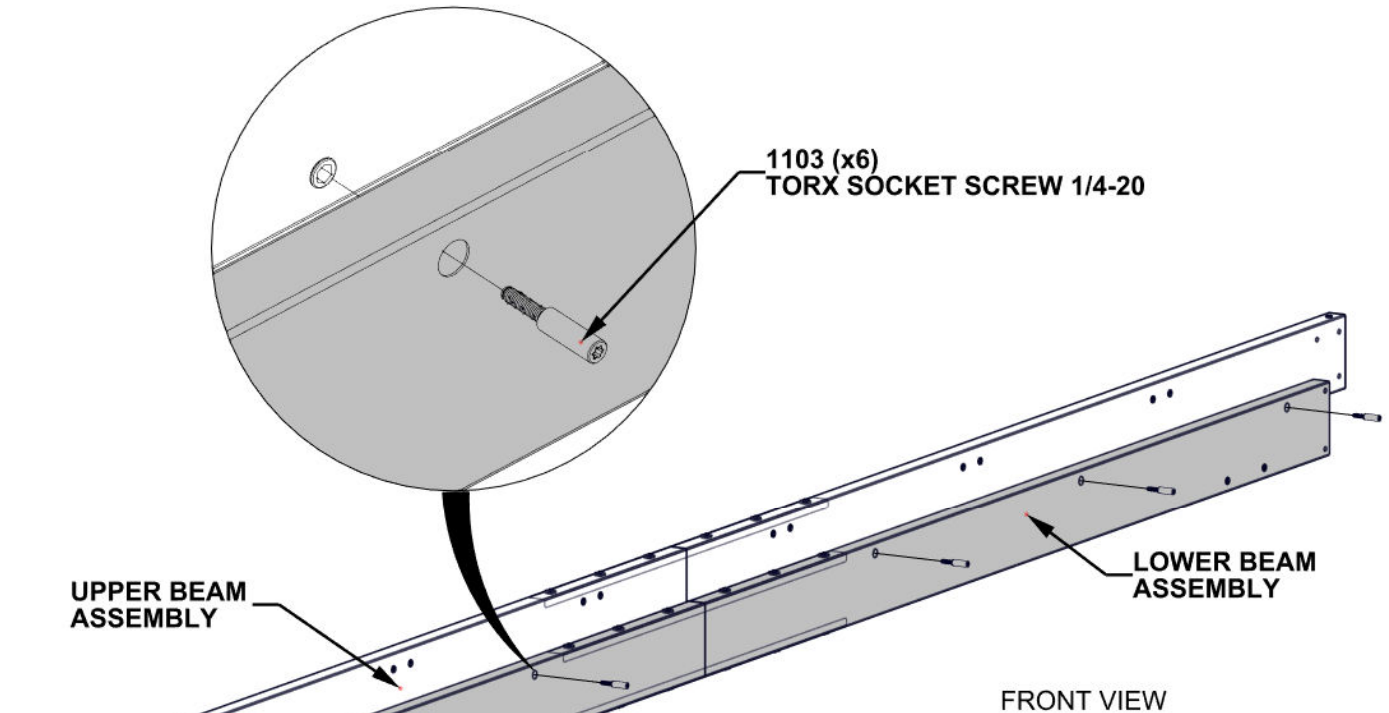


UPPER BEAM ASSEMBLY FROM STEP 9A-9B



LOWER BEAM ASSEMBLY FROM STEP 9C-9D

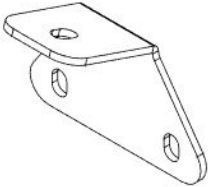
- ALIGN THROUGH HOLES IN LOWER BEAM ASSEMBLY WITH THREADED INSERTS IN UPPER BEAM ASSEMBLY



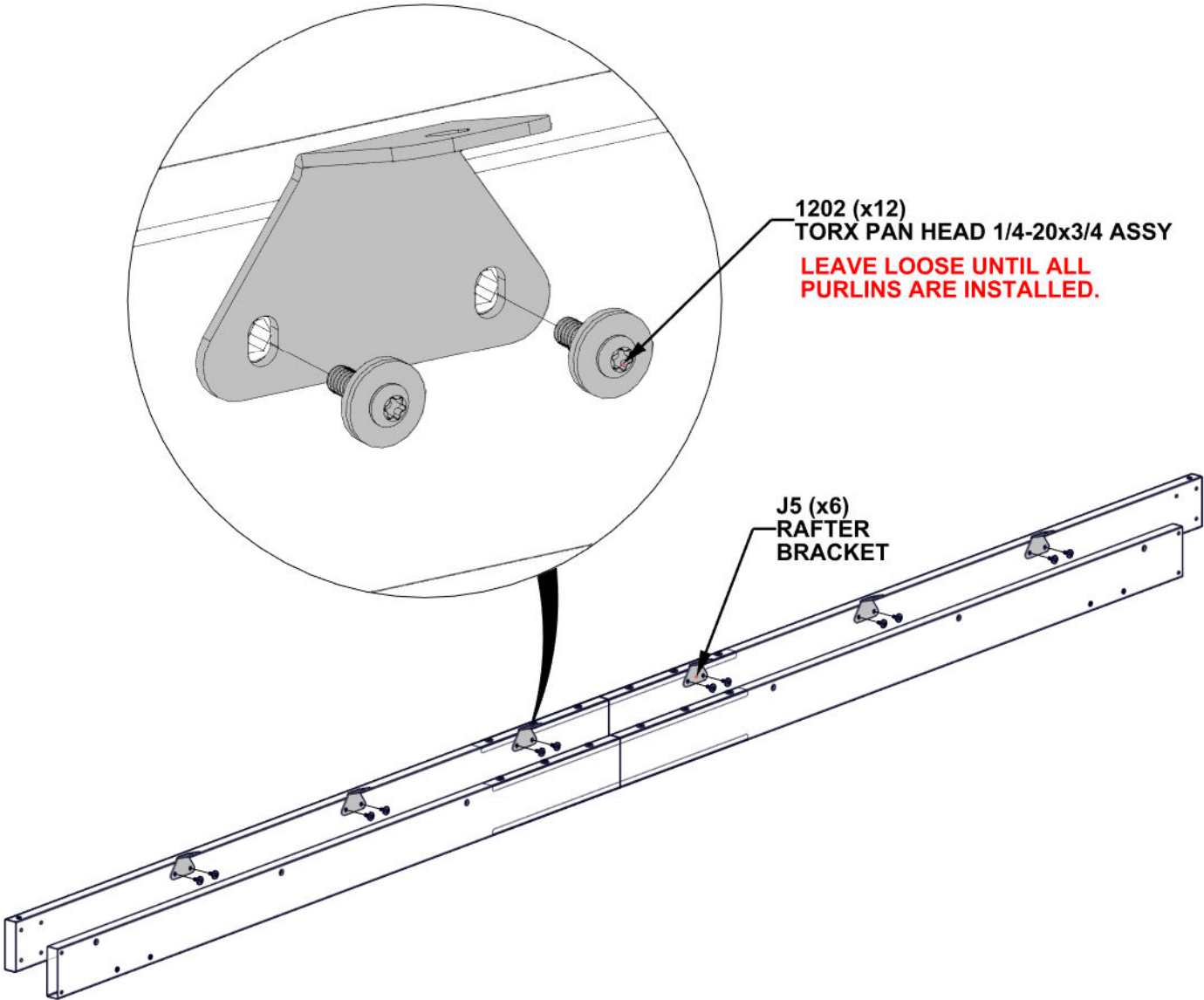
DIMENSIONS ARE THE SAME AT BOTH ENDS AND CRITICAL TO THE BEAM ASSEMBLY

STEP 10 - BEAM ASSEMBLY

Qty	PartNo	Description
12	H101202	TORX PAN HEAD 1/4-20x3/4 ASSY



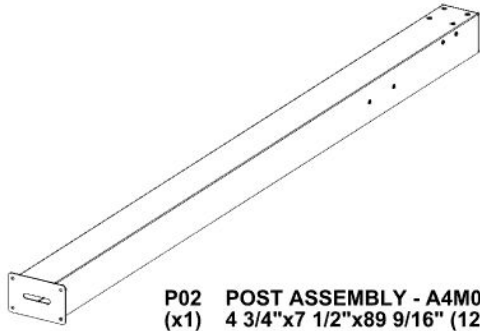
J5 RAFTER BRACKET - A4M03803
(x6) 3 5/8"x2 11/16"x2 1/16" (52x68x91.5)



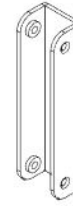
**REPEAT BEAM ASSEMBLY
STEPS 9 THROUGH 10**

STEP 11 - POST ASSEMBLY

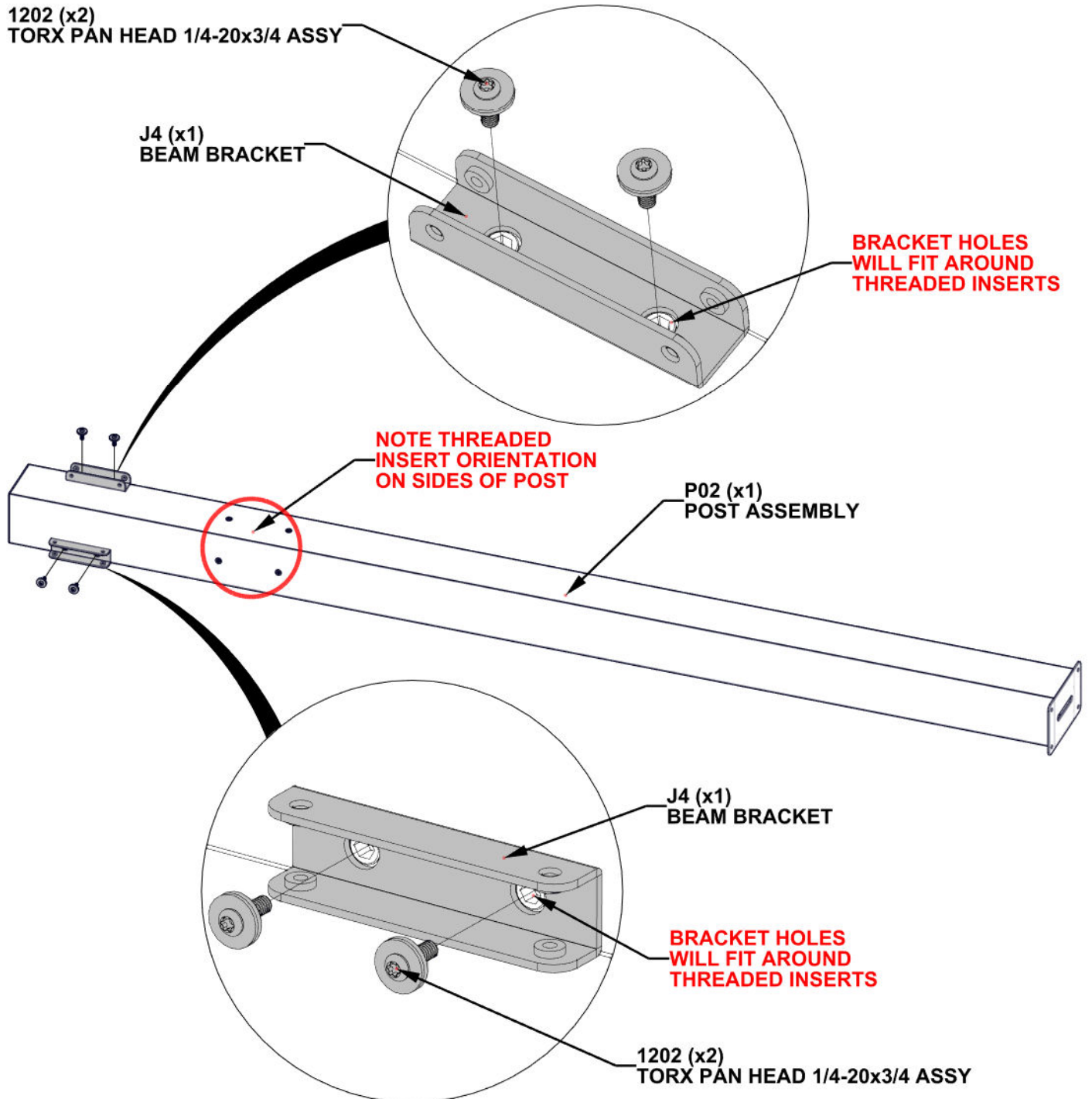
Qty	PartNo	Description
4	H101202	TORX PAN HEAD 1/4-20x3/4 ASSY



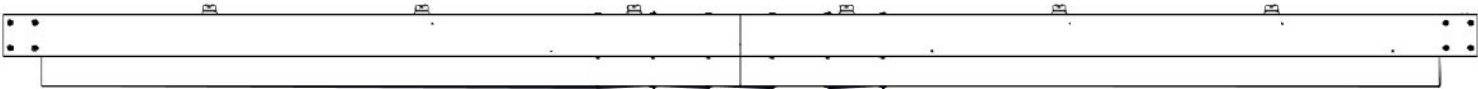
P02 POST ASSEMBLY - A4M04410
 (x1) 4 3/4"x7 1/2"x89 9/16" (120x190x2275)



J4 BEAM BRACKET - A4M02990
 (x2) 1"x1 5/16"x5 1/16" (25x33.2x128)

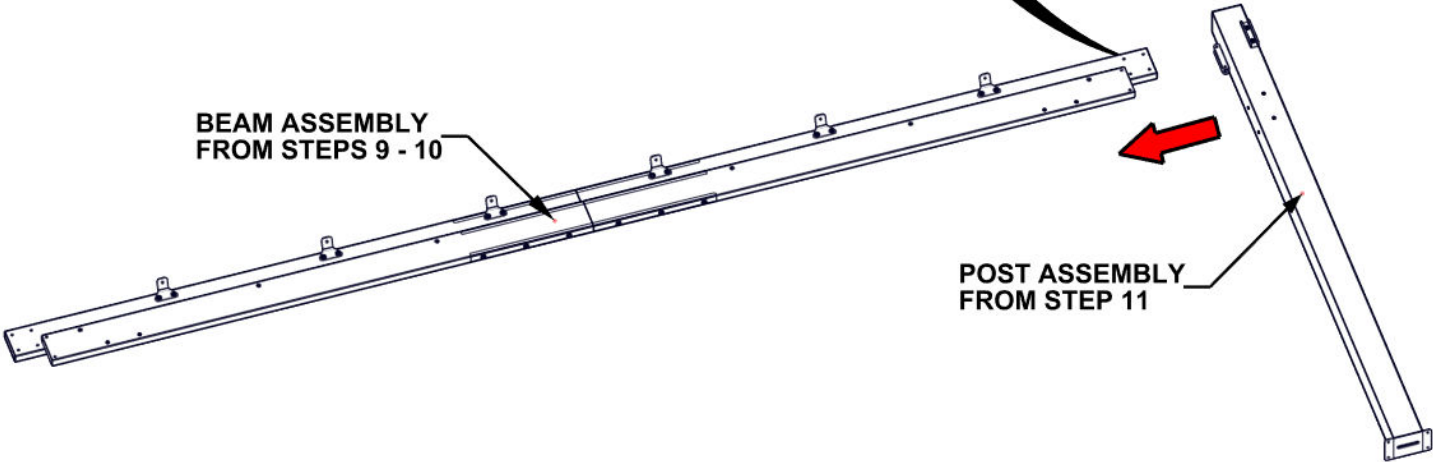
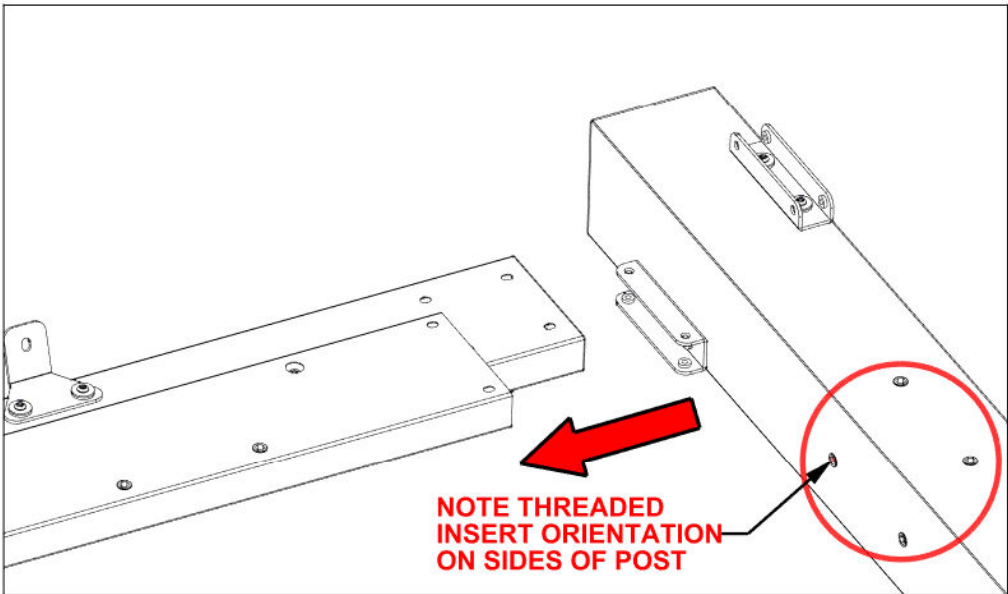


STEP 12A - FRAME ASSEMBLY



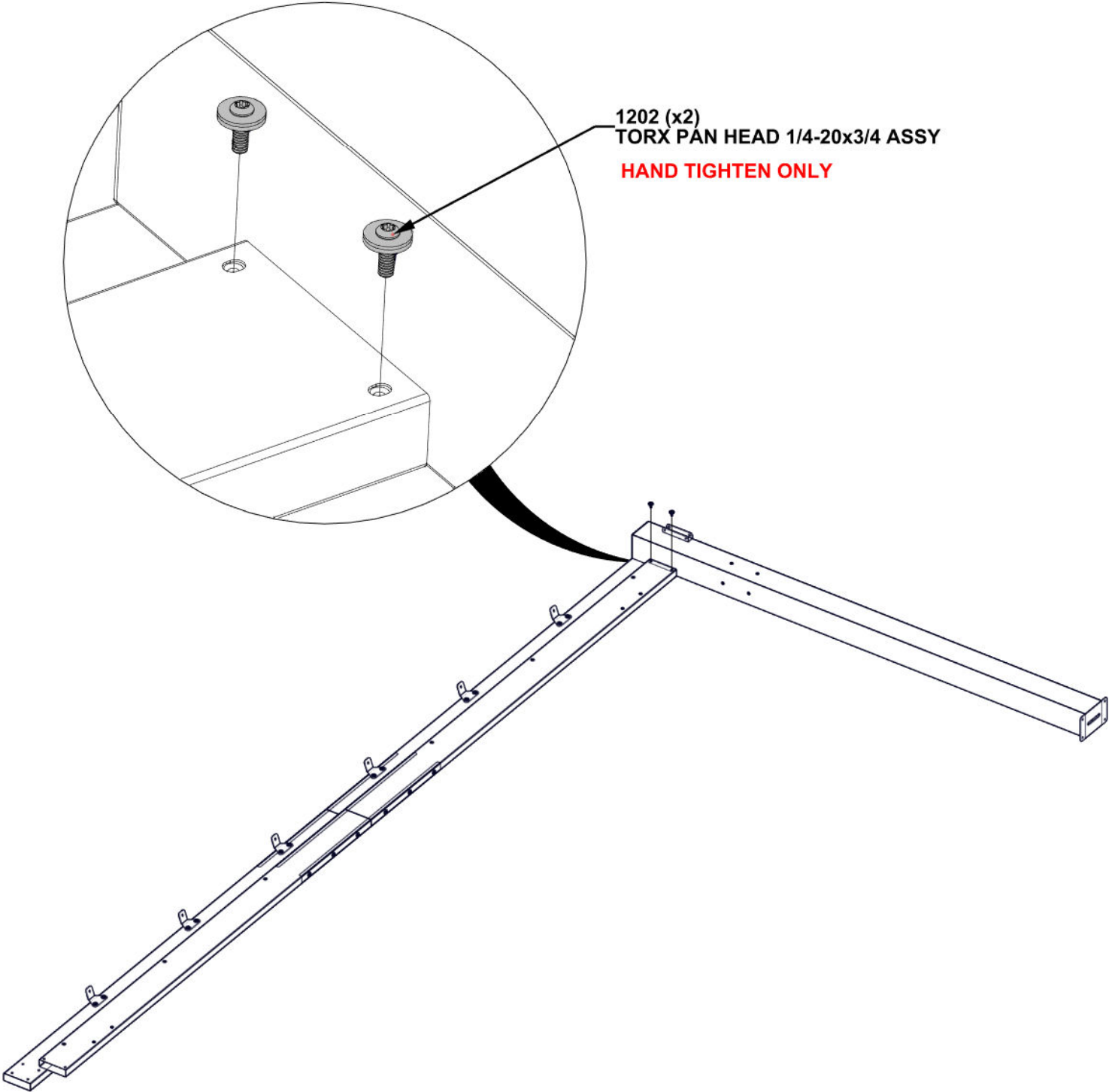
BEAM ASSEMBLY FROM STEPS 9 - 10

- SLIDE POST ASSEMBLY FROM STEP 11 INTO THE BEAM ASSEMBLY FROM STEPS 9 - 10.



STEP 12B - FRAME ASSEMBLY

Qty	PartNo	Description
2	H101202	TORX PAN HEAD 1/4-20x3/4 ASSY



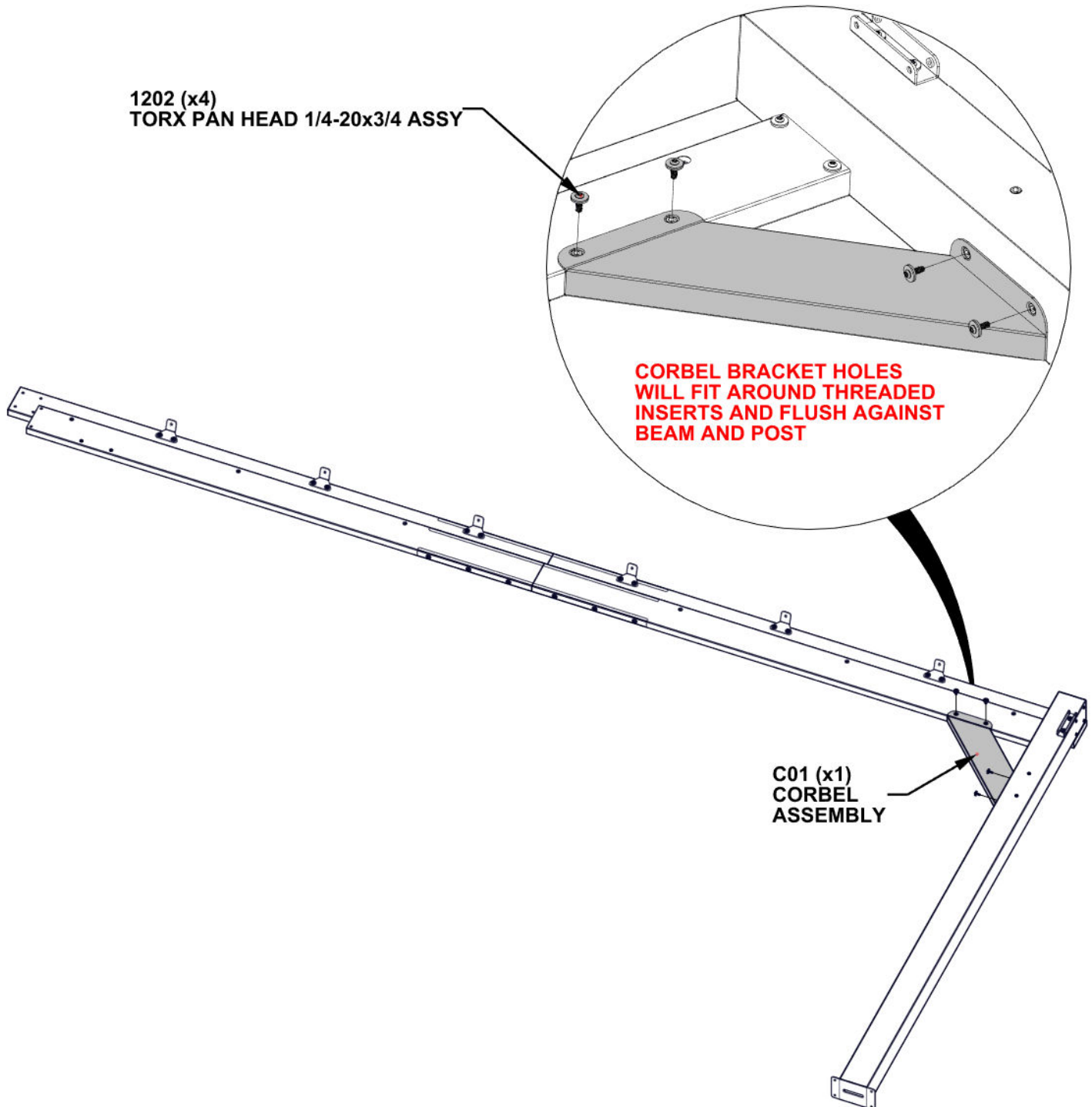
STEP 12C - FRAME ASSEMBLY

Qty	PartNo	Description
4	H101202	TORX PAN HEAD 1/4-20x3/4 ASSY



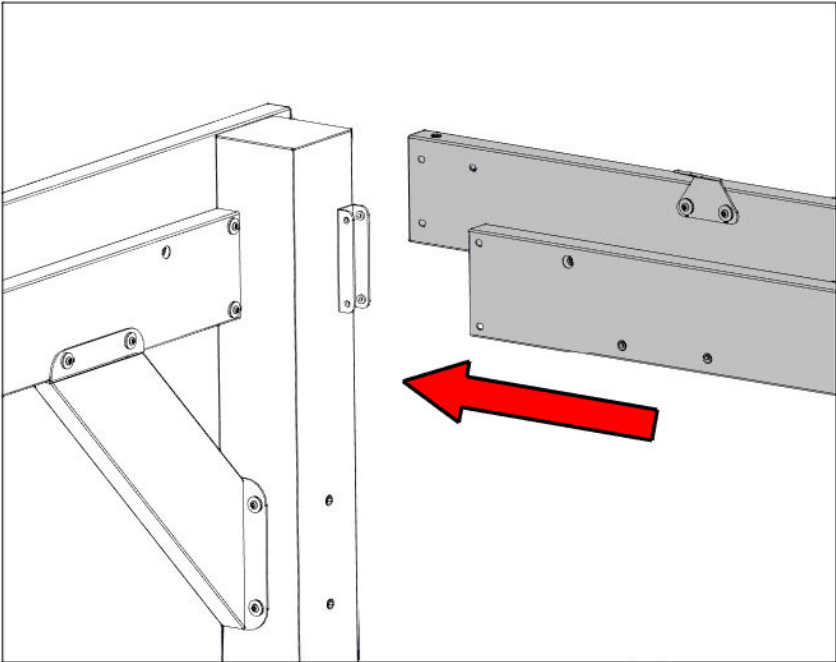
C01 CORBEL ASSEMBLY - A4M03525
(x1) 21 13/16"x5 1/4"x2 3/4" (70x134x553.5)

- ATTACH CORBEL TO BEAM AND POST.
- **SQUARE AS NEEDED BEFORE TIGHTENING ALL HARDWARE FROM PREVIOUS STEPS.**



STEP 13A - FRAME ASSEMBLY

- WITH AT LEAST THREE OTHER PEOPLE, ATTACH BEAM AND POST ASSEMBLIES BY SLIDING INTO PLACE.



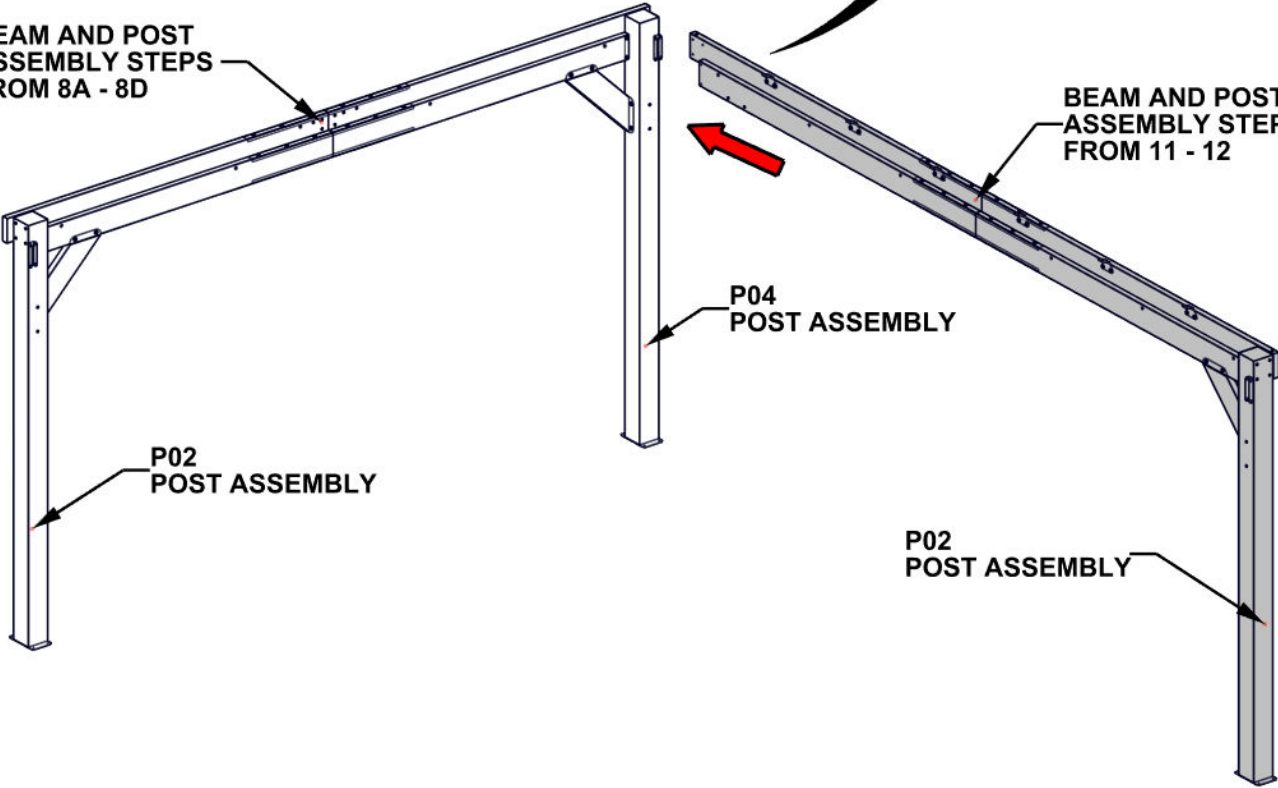
BEAM AND POST ASSEMBLY STEPS FROM 8A - 8D

BEAM AND POST ASSEMBLY STEPS FROM 11 - 12

P04 POST ASSEMBLY

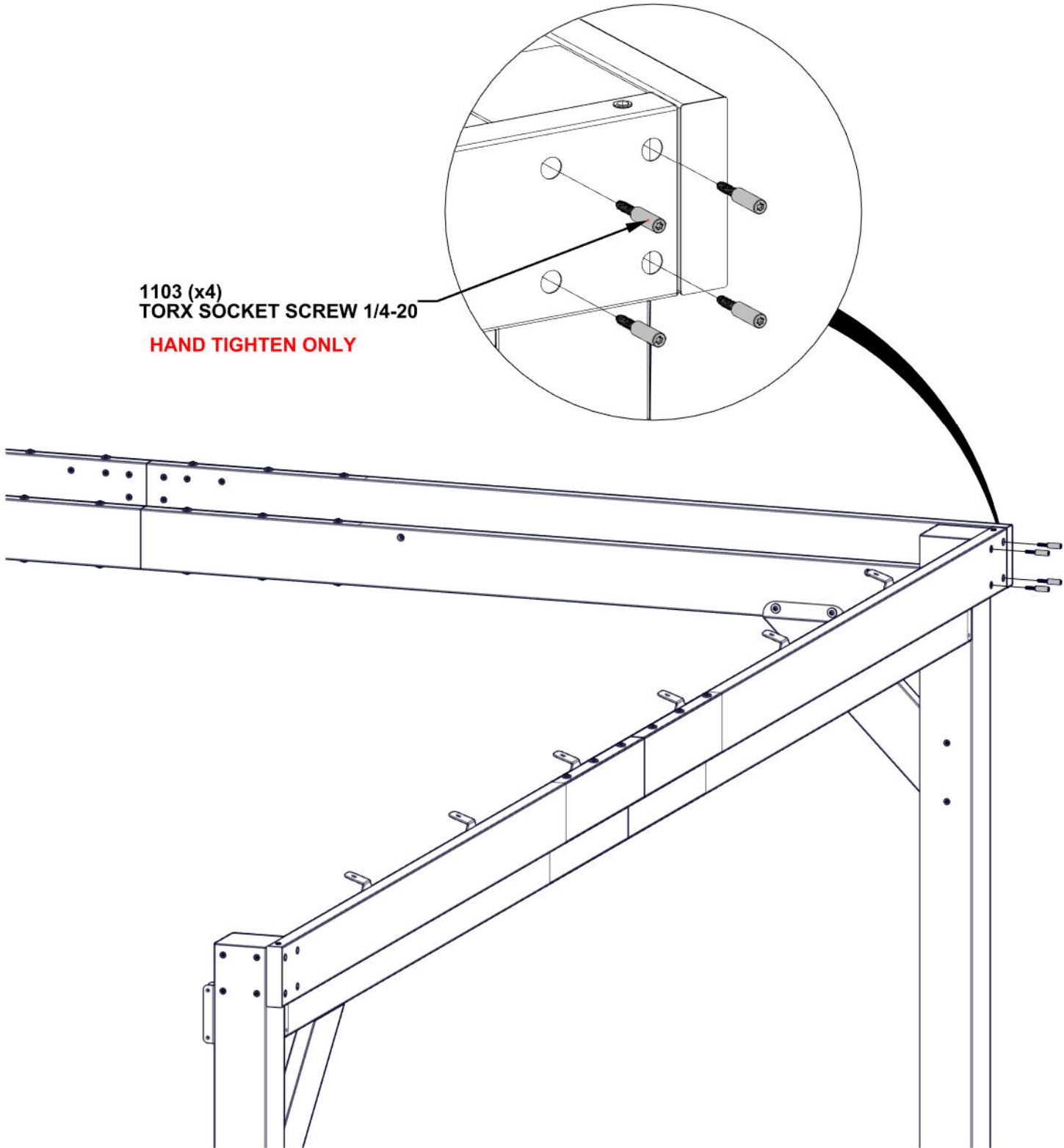
P02 POST ASSEMBLY

P02 POST ASSEMBLY



STEP 13B - FRAME ASSEMBLY

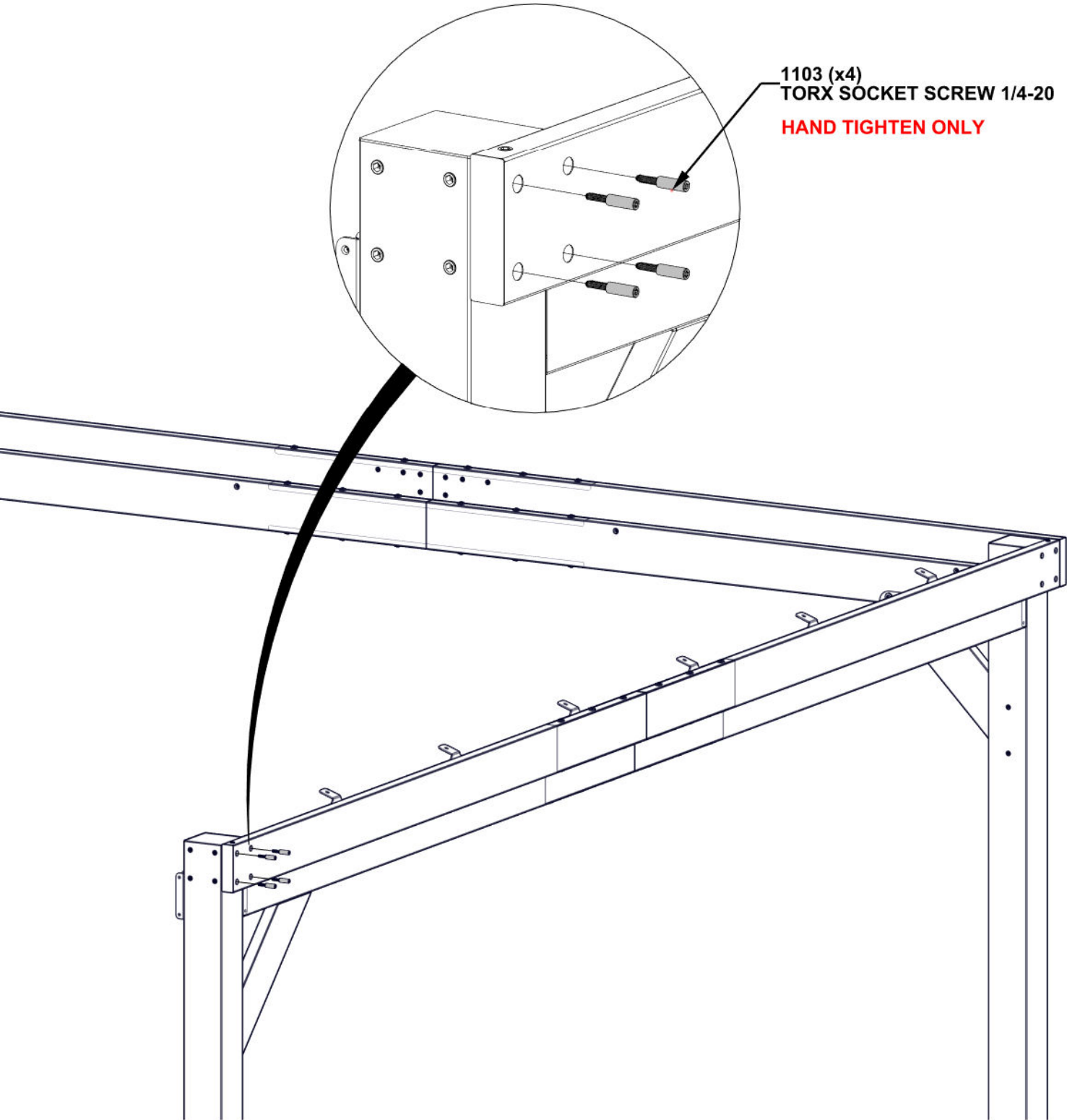
Qty	PartNo	Description
4	H101103	TORX SOCKET SCREW 1/4-20



1103 (x4)
TORX SOCKET SCREW 1/4-20
HAND TIGHTEN ONLY

STEP 13C - FRAME ASSEMBLY

Qty	PartNo	Description
4	H101103	TORX SOCKET SCREW 1/4-20

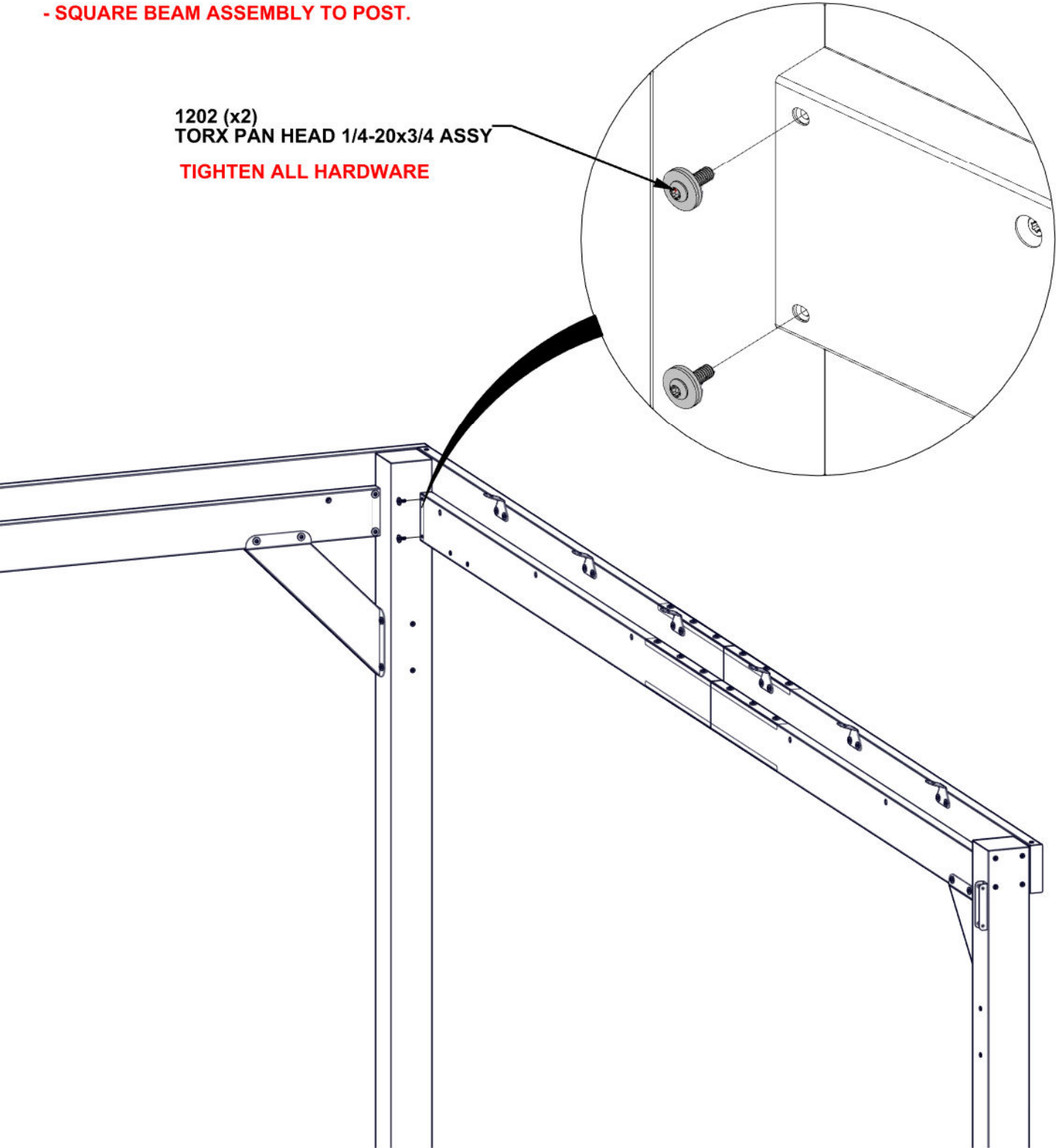


STEP 13D - FRAME ASSEMBLY

Qty	PartNo	Description
2	H101202	TORX PAN HEAD 1/4-20x3/4 ASSY

- SQUARE BEAM ASSEMBLY TO POST.

1202 (x2)
TORX PAN HEAD 1/4-20x3/4 ASSY
TIGHTEN ALL HARDWARE



STEP 14 - FRAME ASSEMBLY

Qty	PartNo	Description
4	H101202	TORX PAN HEAD 1/4-20x3/4 ASSY



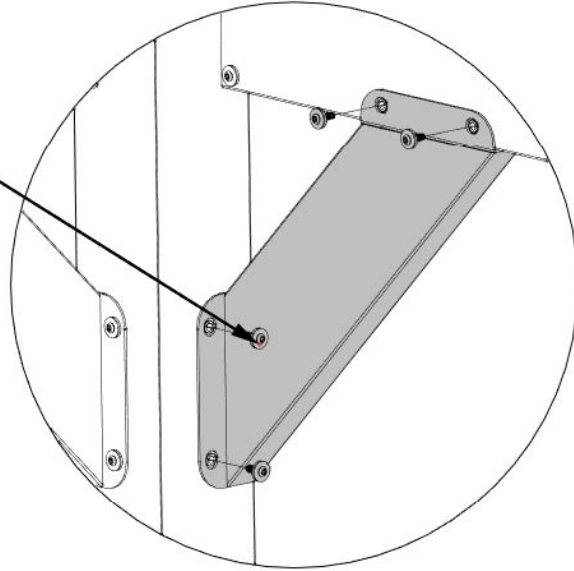
C02 CORBEL ASSEMBLY - A4M03526
(x1) 21 13/16"x5 1/4"x2 3/4" (70x134x553.5)

- ATTACH CORBEL TO BEAM AND POST.

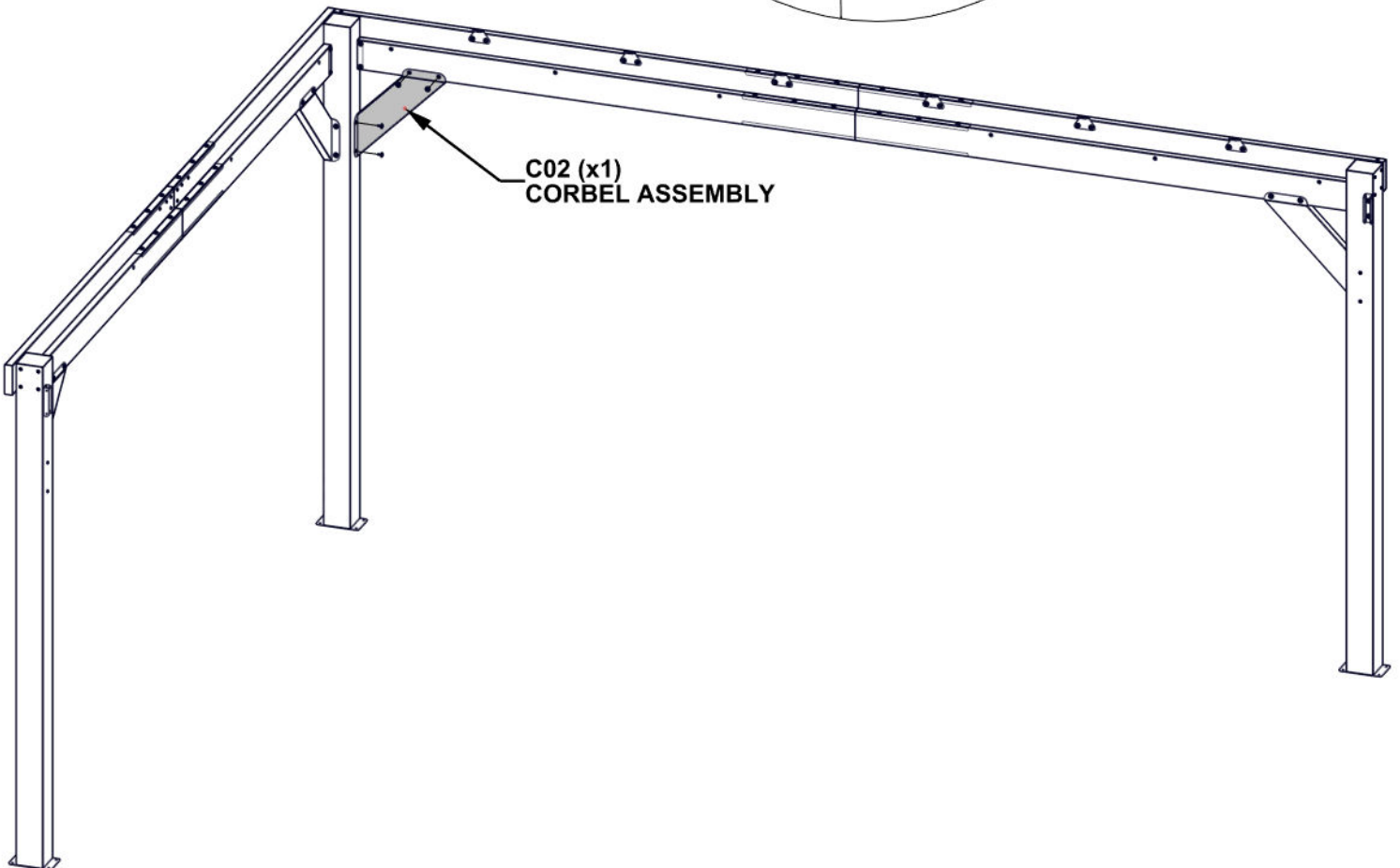
- SQUARE AS NEEDED BEFORE TIGHTENING
ALL HARDWARE FROM PREVIOUS STEPS.

1202 (x4)
TORX PAN HEAD 1/4-20x3/4 ASSY

CORBEL BRACKET HOLES
WILL FIT AROUND THREADED
INSERTS AND FLUSH AGAINST
BEAM AND POST

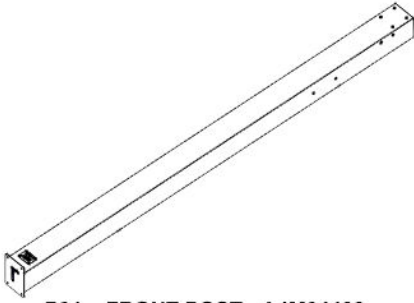


C02 (x1)
CORBEL ASSEMBLY

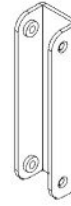


STEP 15 - POST ASSEMBLY

Qty	PartNo	Description
4	H101202	TORX PAN HEAD 1/4-20x3/4 ASSY

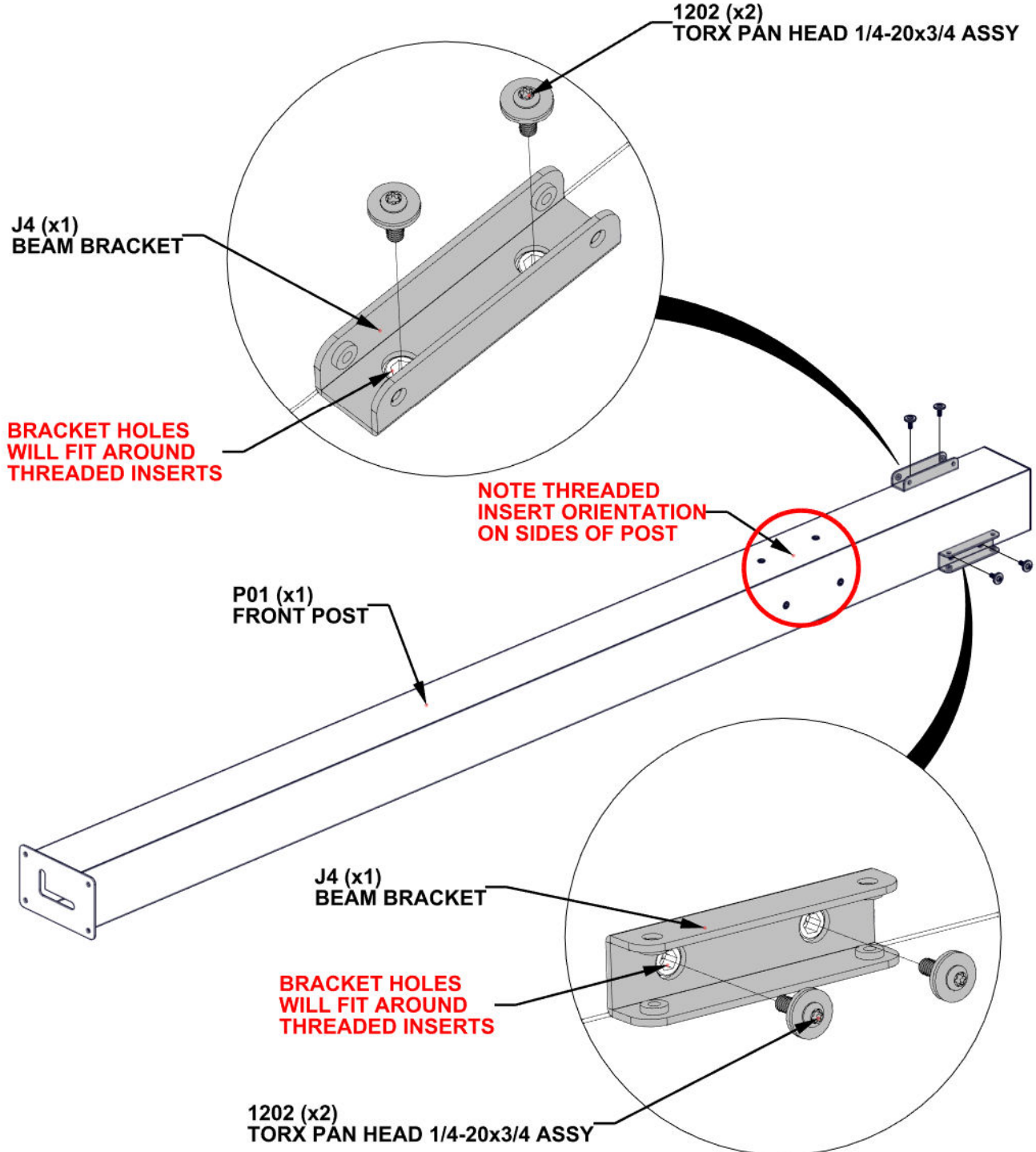


P01 FRONT POST - A4M04409
(x1) 4 3/4"x7 1/2"x89 9/16" (120x190x2275)

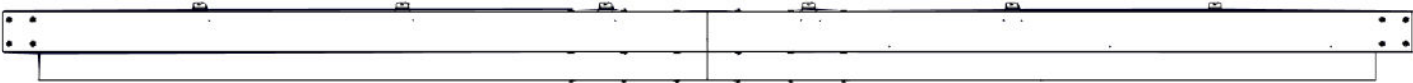


J4 BEAM BRACKET - A4M02990
(x2) 1"x1 5/16"x5 1/16" (25x33.2x128)

- FOR EASE OF ASSEMBLY, WE RECOMMEND USING SAW HORSES FOR STEPS 15 - 16.

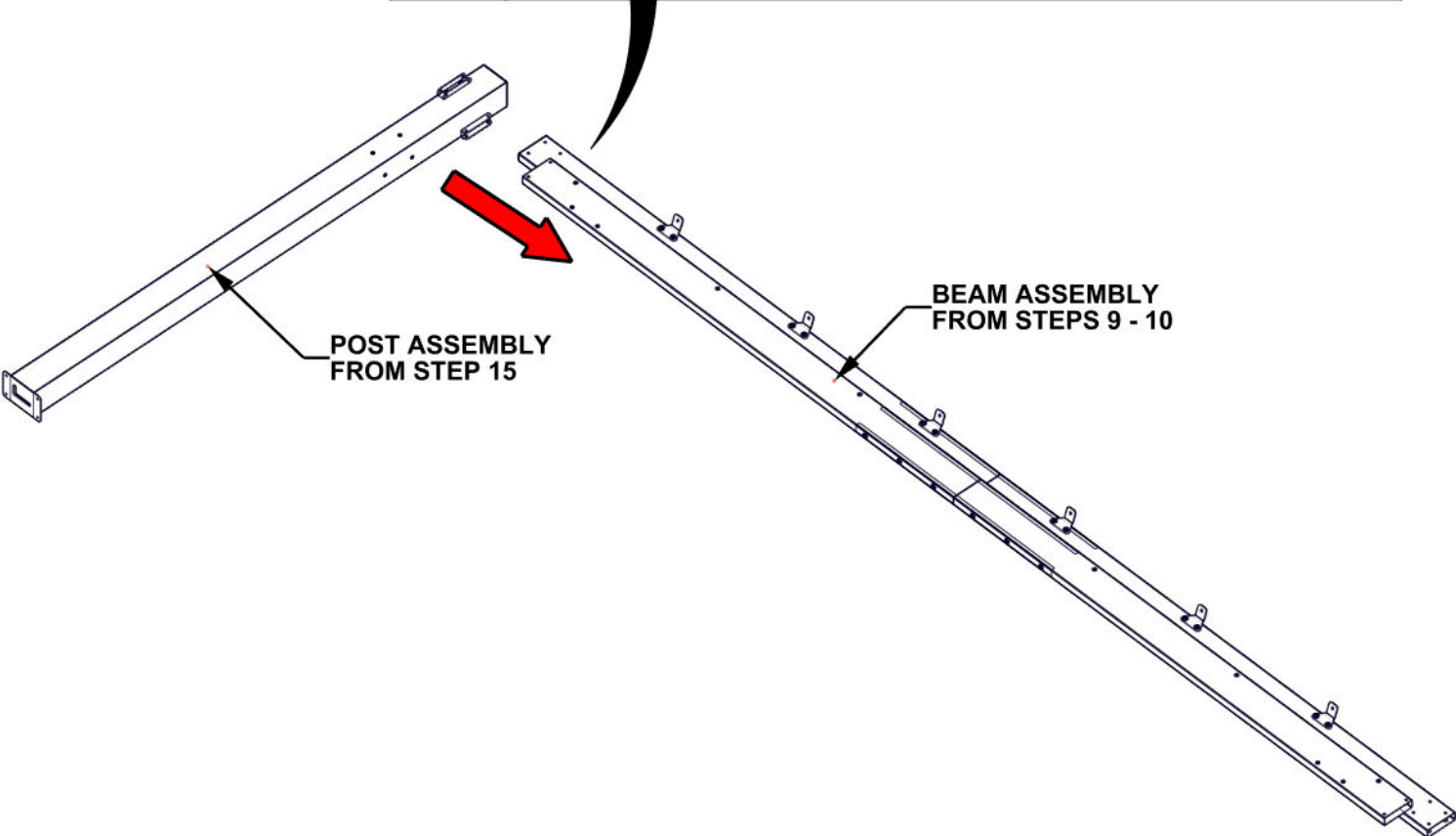
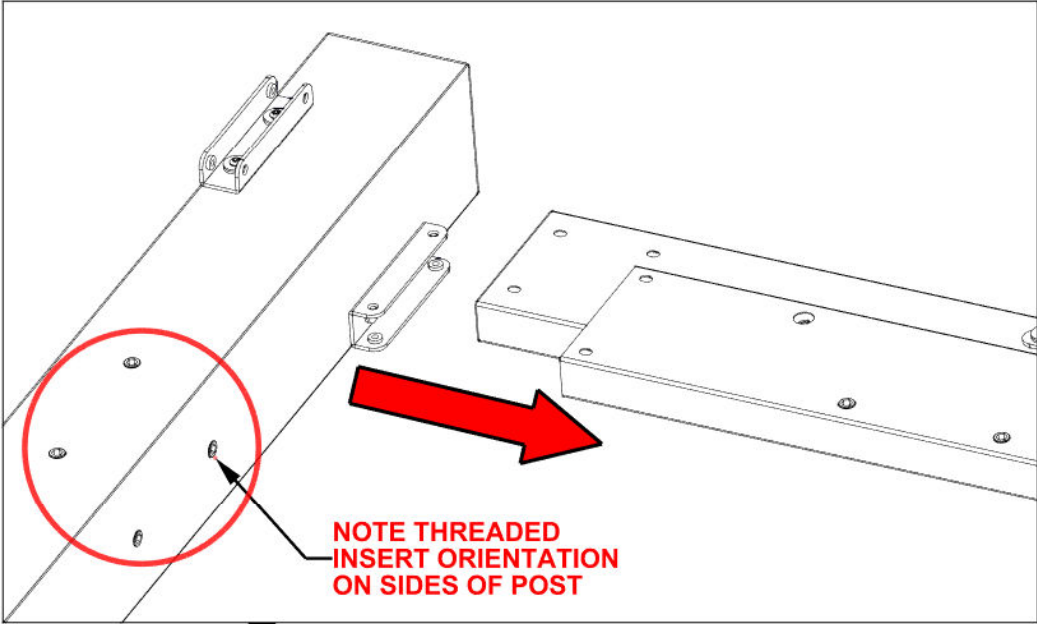


STEP 16A - FRAME ASSEMBLY



BEAM ASSEMBLY FROM STEPS 9 - 10

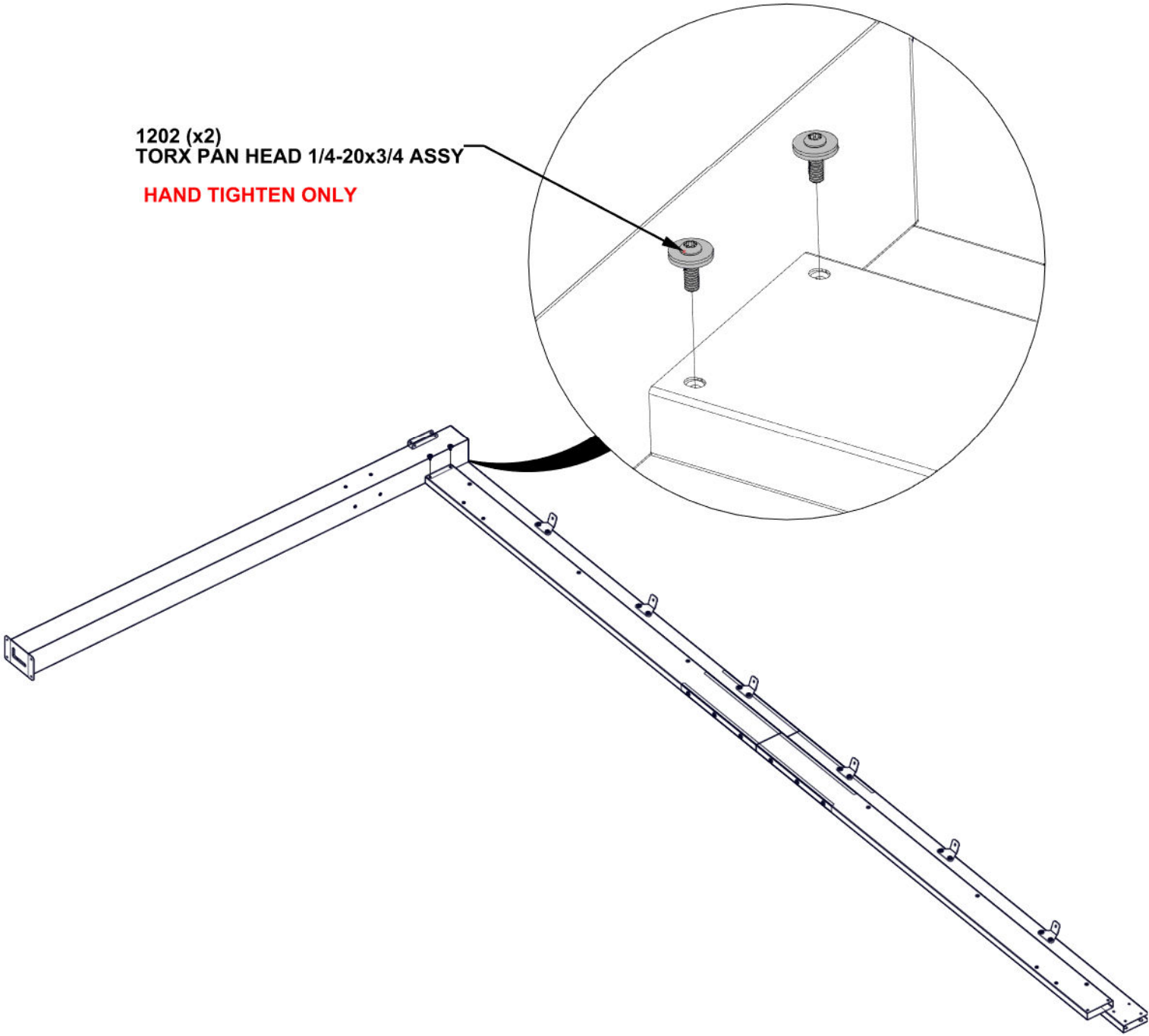
- SLIDE POST ASSEMBLY FROM STEP 15 INTO THE BEAM ASSEMBLY FROM STEPS 9 - 10.



STEP 16B - FRAME ASSEMBLY

Qty	PartNo	Description
2	H101202	TORX PAN HEAD 1/4-20x3/4 ASSY

1202 (x2)
TORX PAN HEAD 1/4-20x3/4 ASSY
HAND TIGHTEN ONLY



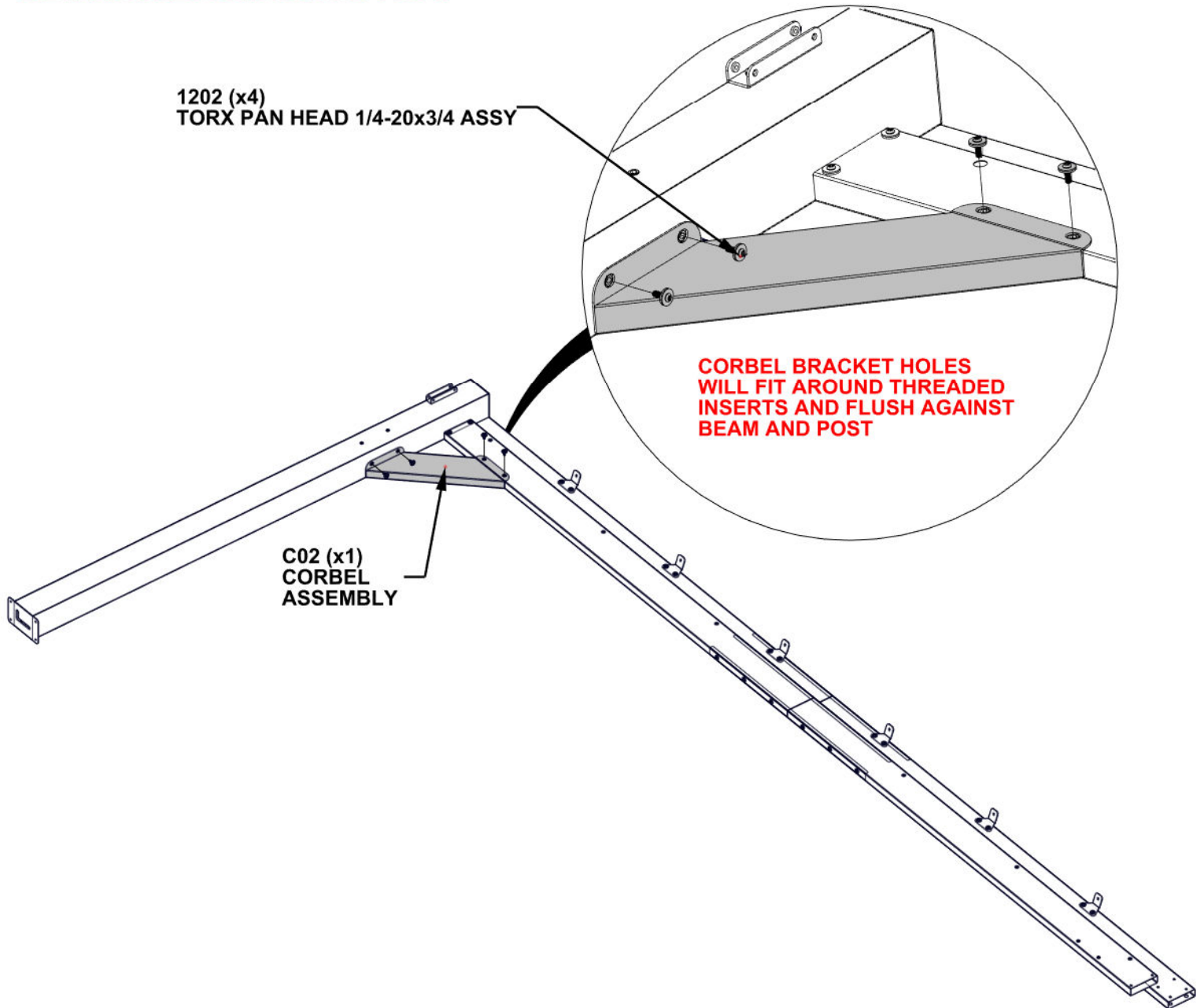
STEP 16C - FRAME ASSEMBLY

Qty	PartNo	Description
4	H101202	TORX PAN HEAD 1/4-20x3/4 ASSY



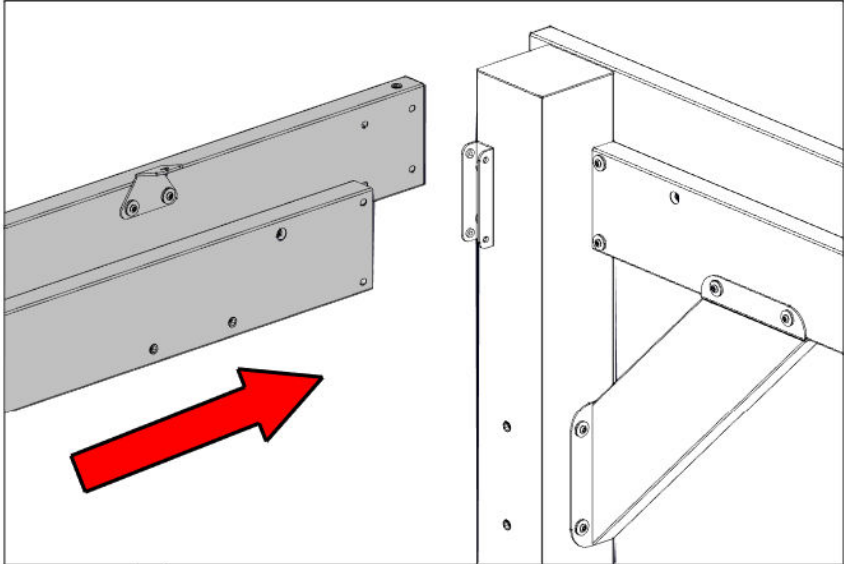
C02 CORBEL ASSEMBLY - A4M03526
(x1) 21 13/16"x5 1/4"x2 3/4" (70x134x553.5)

- ATTACH CORBELS TO BEAM AND POST.
- **SQUARE AS NEEDED BEFORE TIGHTENING ALL HARDWARE FROM PREVIOUS STEPS.**

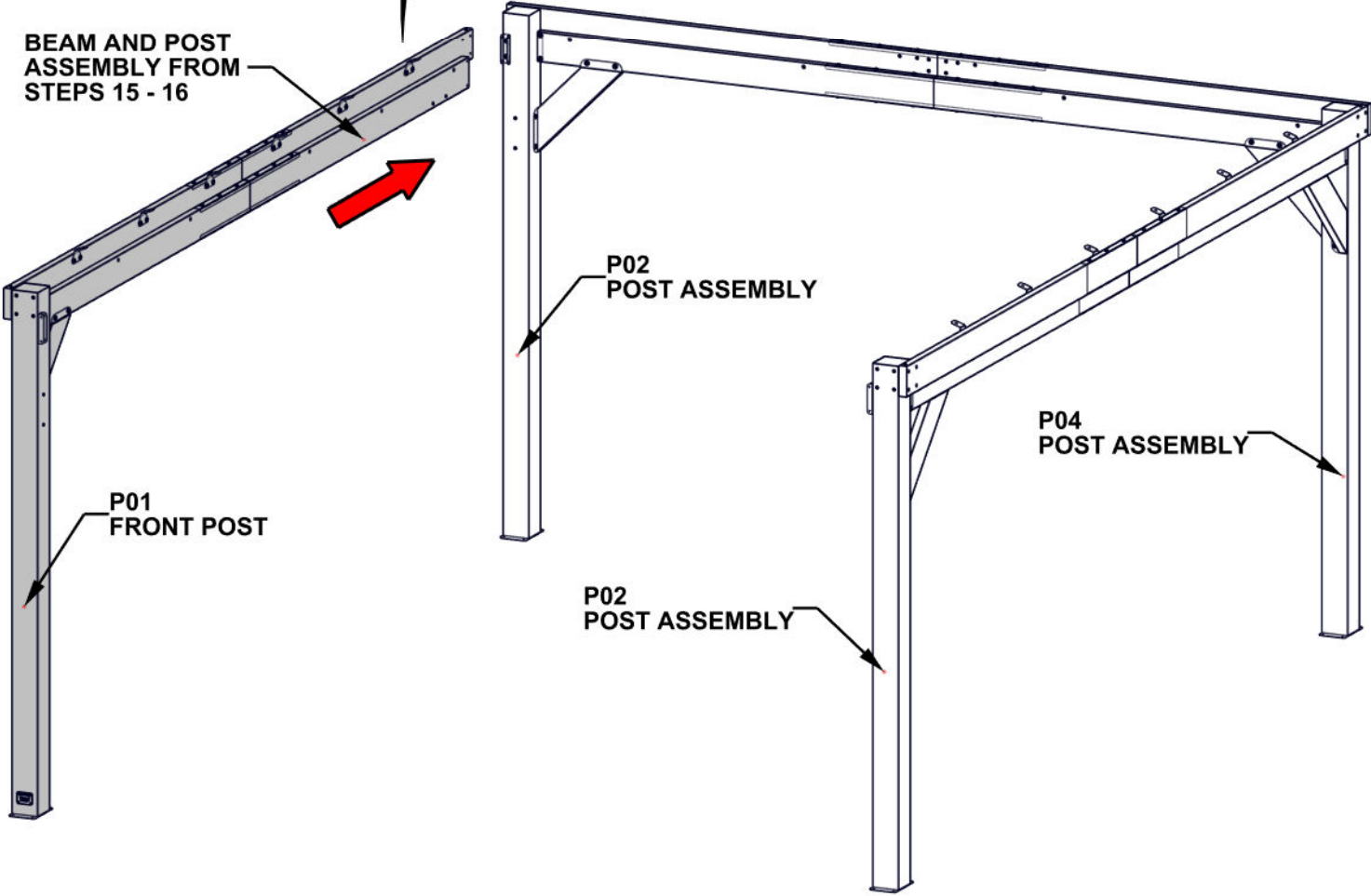


STEP 17A - FRAME ASSEMBLY

- WITH AT LEAST TWO OTHER PEOPLE, ATTACH BEAM AND POST ASSEMBLIES BY SLIDING INTO PLACE.

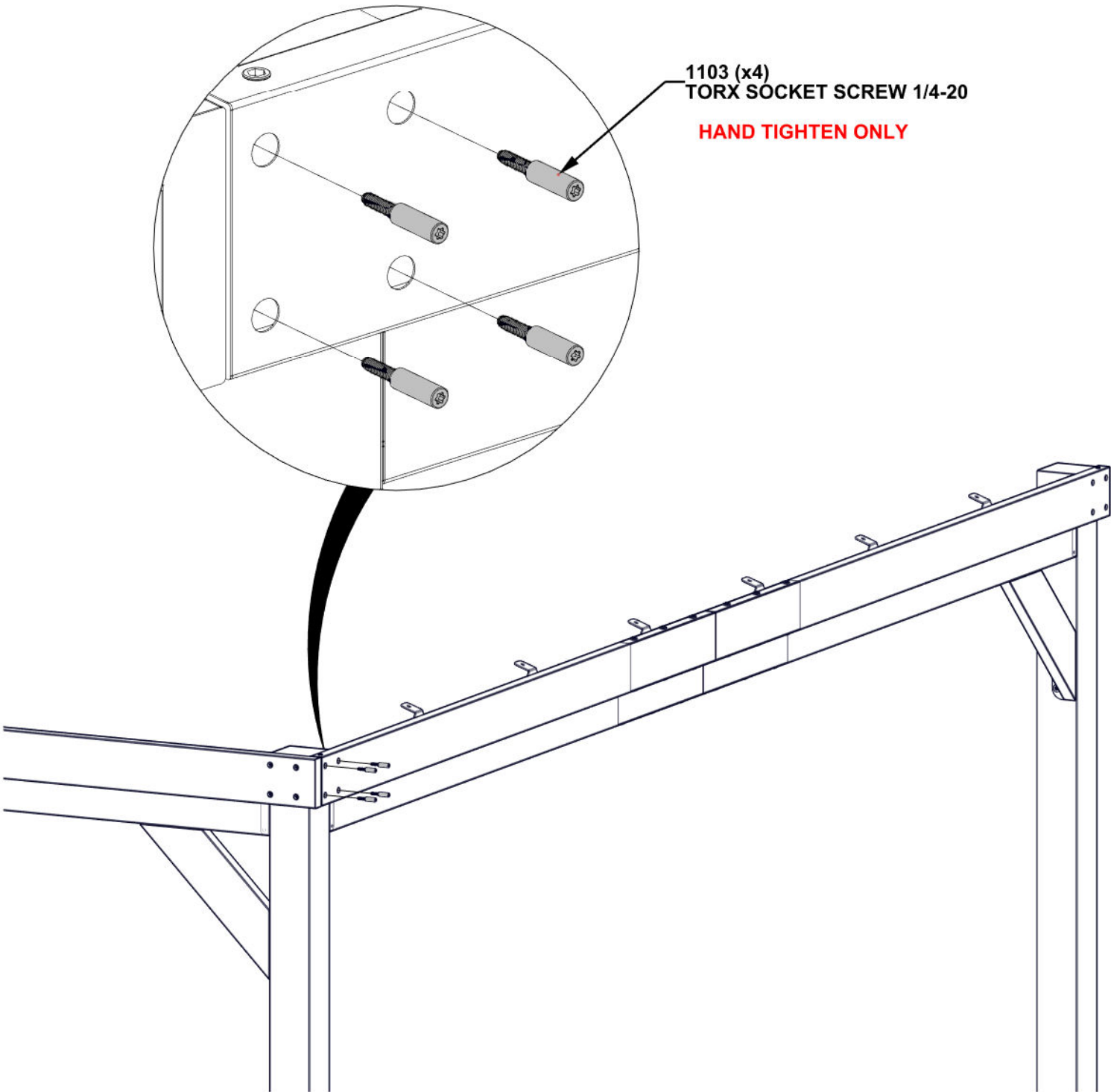


BEAM AND POST ASSEMBLY FROM STEPS 15 - 16



STEP 17B - FRAME ASSEMBLY

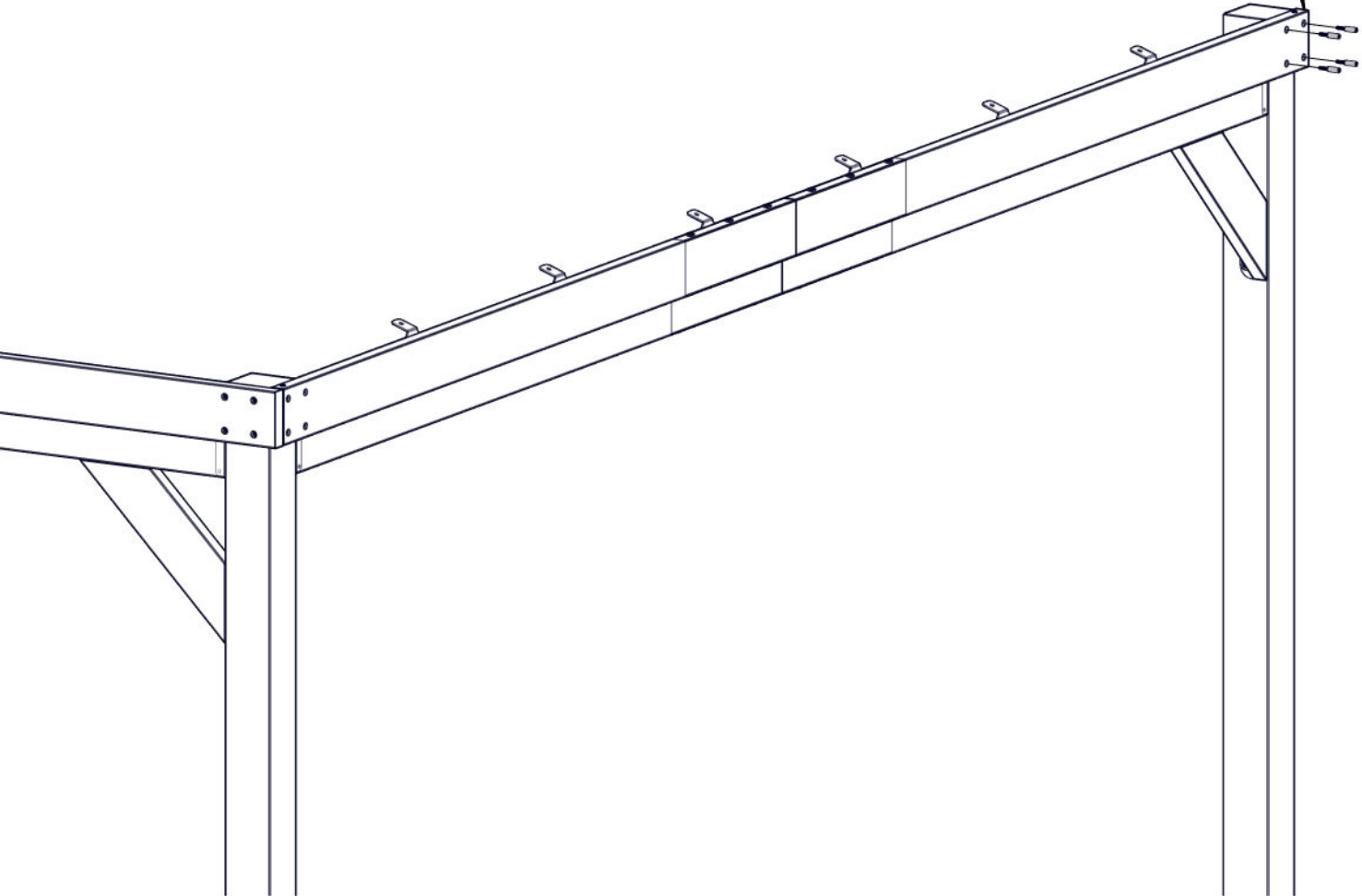
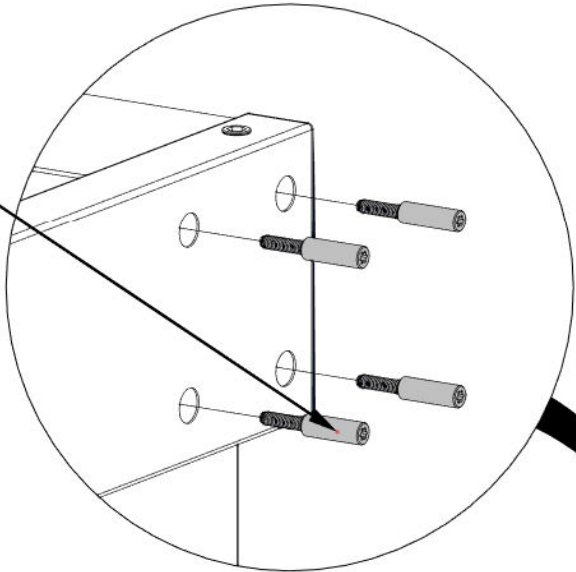
Qty	PartNo	Description
4	H101103	TORX SOCKET SCREW 1/4-20



STEP 17C - FRAME ASSEMBLY

Qty	PartNo	Description
4	H101103	TORX SOCKET SCREW 1/4-20

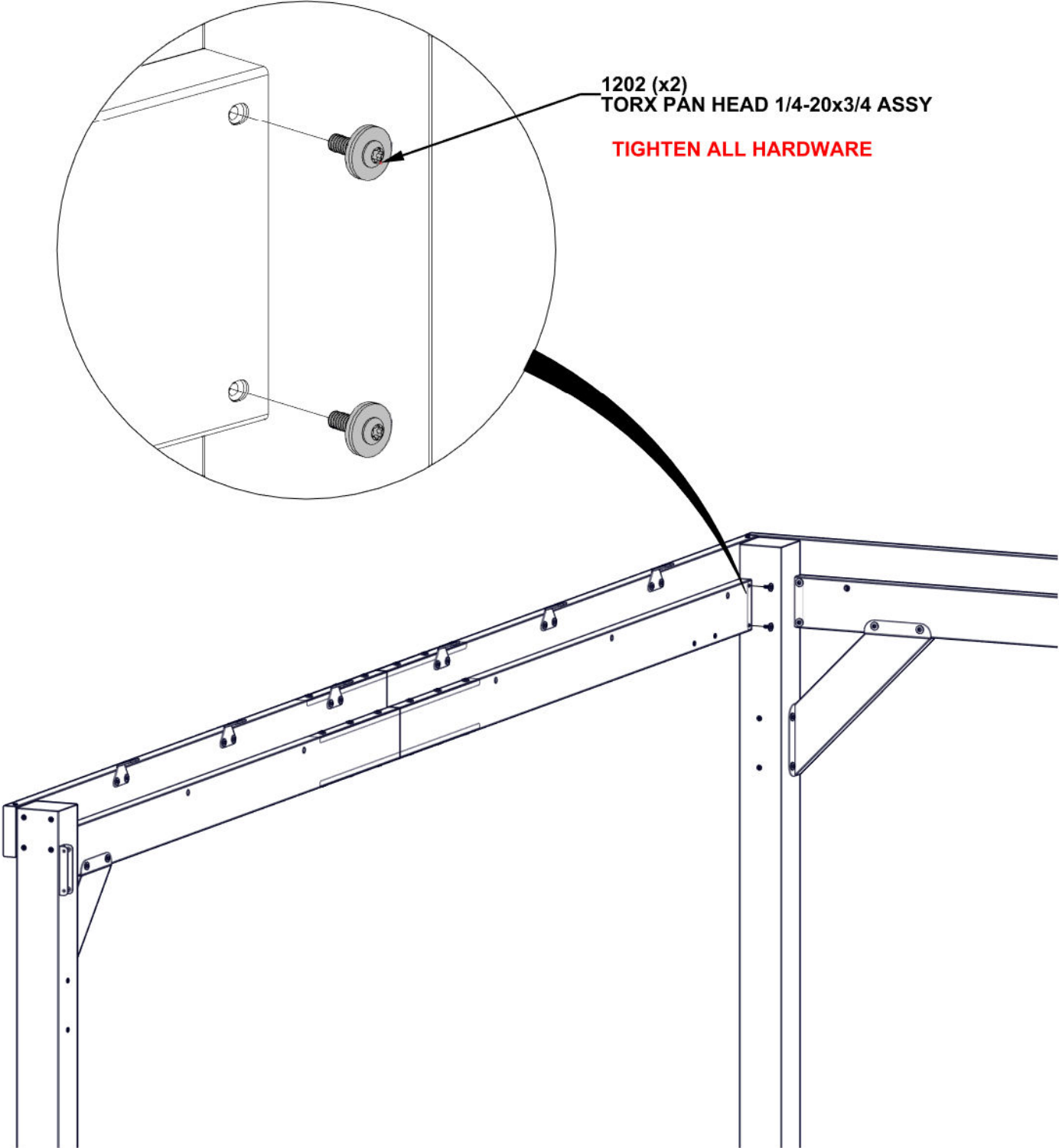
1103 (x4)
TORX SOCKET SCREW 1/4-20
HAND TIGHTEN ONLY



STEP 17D - FRAME ASSEMBLY

Qty	PartNo	Description
2	H101202	TORX PAN HEAD 1/4-20x3/4 ASSY

- SQUARE BEAM ASSEMBLY TO POST.



STEP 18 - FRAME ASSEMBLY

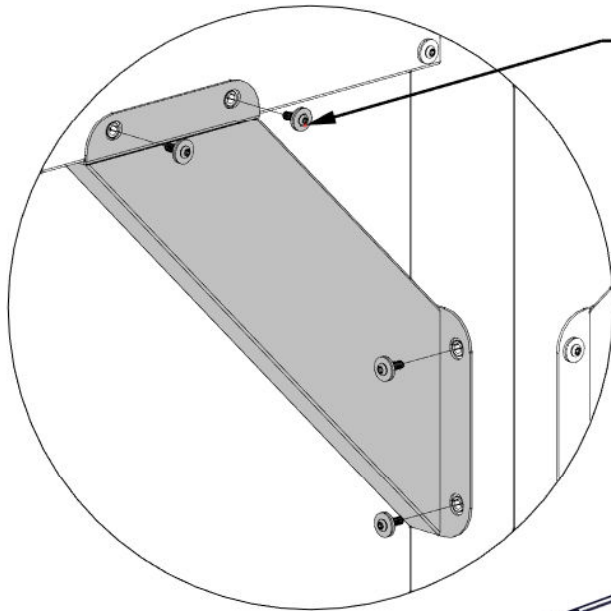
Qty	PartNo	Description
4	H101202	TORX PAN HEAD 1/4-20x3/4 ASSY



C01 CORBEL ASSEMBLY - A4M03525
(x1) 21 13/16"x5 1/4"x2 3/4" (70x134x553.5)

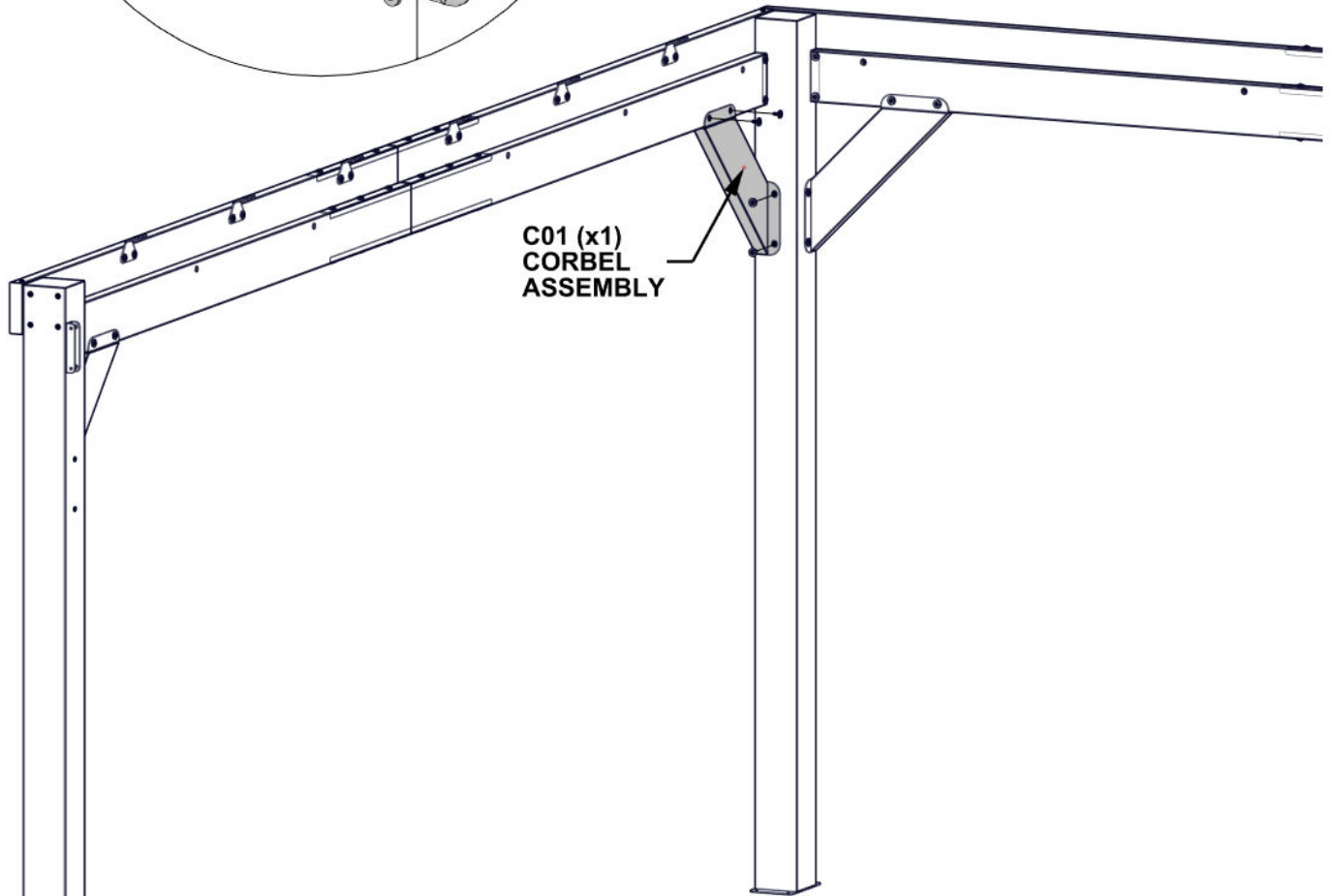
- ATTACH CORBEL TO BEAM AND POST.

- SQUARE AS NEEDED BEFORE TIGHTENING ALL HARDWARE FROM PREVIOUS STEPS.



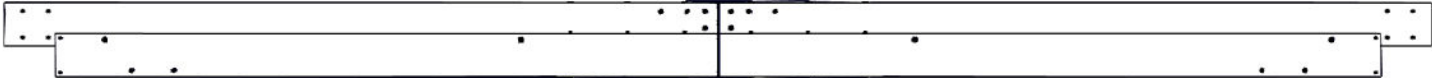
1202 (x4)
TORX PAN HEAD 1/4-20x3/4 ASSY

CORBEL BRACKET HOLES
WILL FIT AROUND THREADED
INSERTS AND FLUSH AGAINST
BEAM AND POST



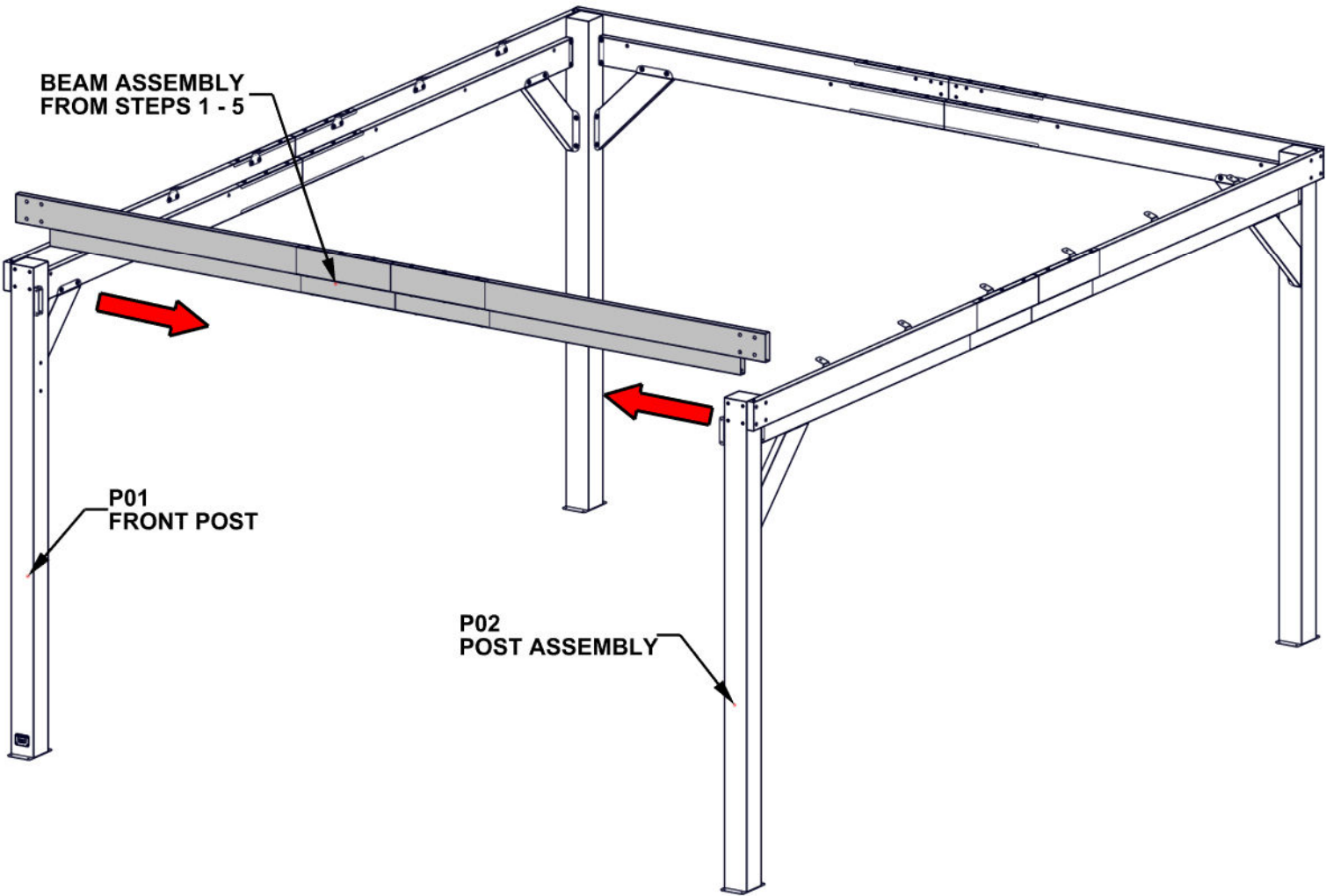
C01 (x1)
CORBEL
ASSEMBLY

STEP 19A - FRAME ASSEMBLY



BEAM ASSEMBLY FROM STEPS 1 - 5

- WITH AT LEAST TWO OTHER PEOPLE, SPREAD FRONT POST APART ENOUGH TO ATTACH BEAM ASSEMBLY INTO BEAM BRACKETS.



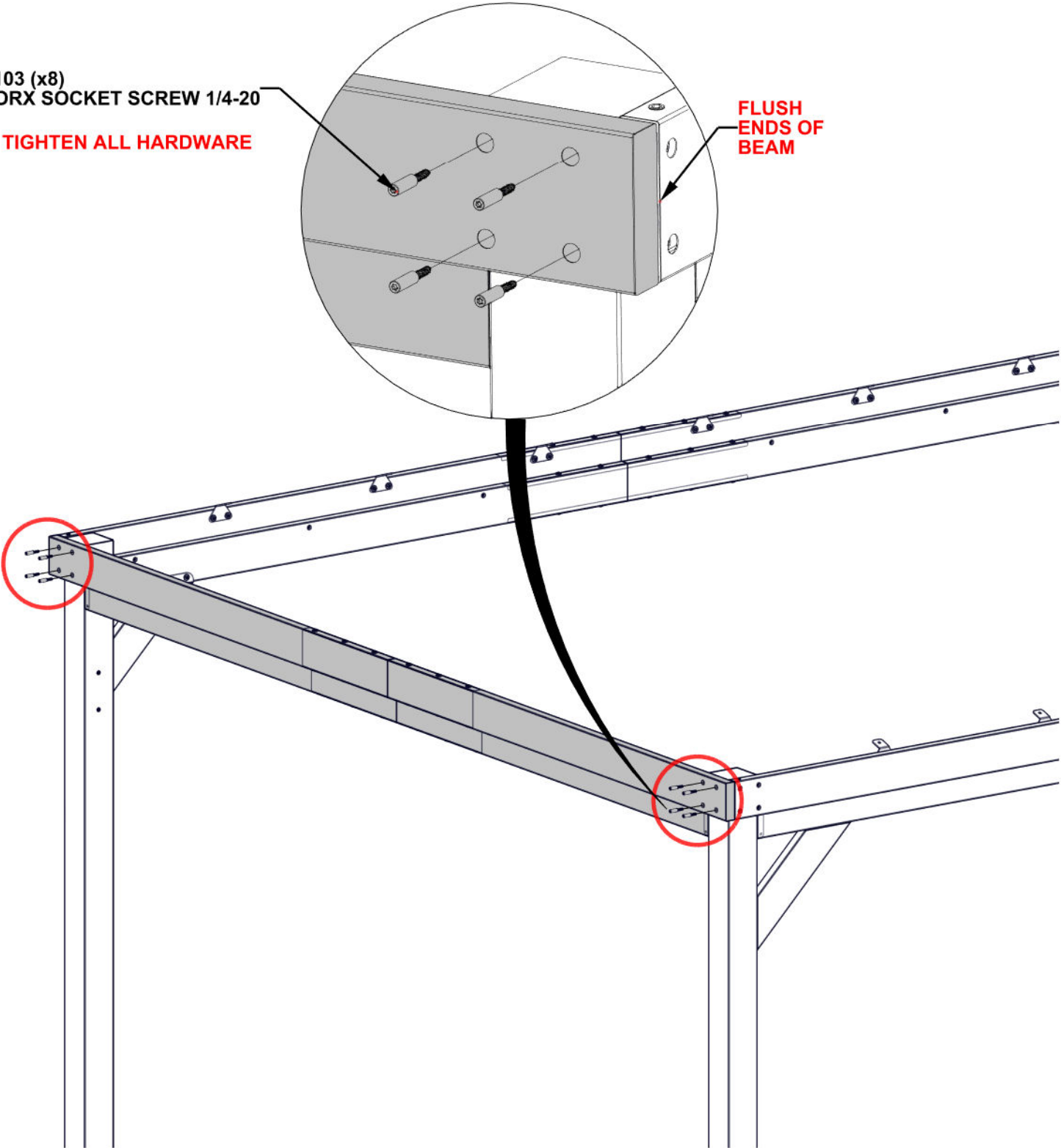
STEP 19B - FRAME ASSEMBLY

Qty	PartNo	Description
8	H101103	TORX SOCKET SCREW 1/4-20

1103 (x8)
TORX SOCKET SCREW 1/4-20

TIGHTEN ALL HARDWARE

**FLUSH
ENDS OF
BEAM**



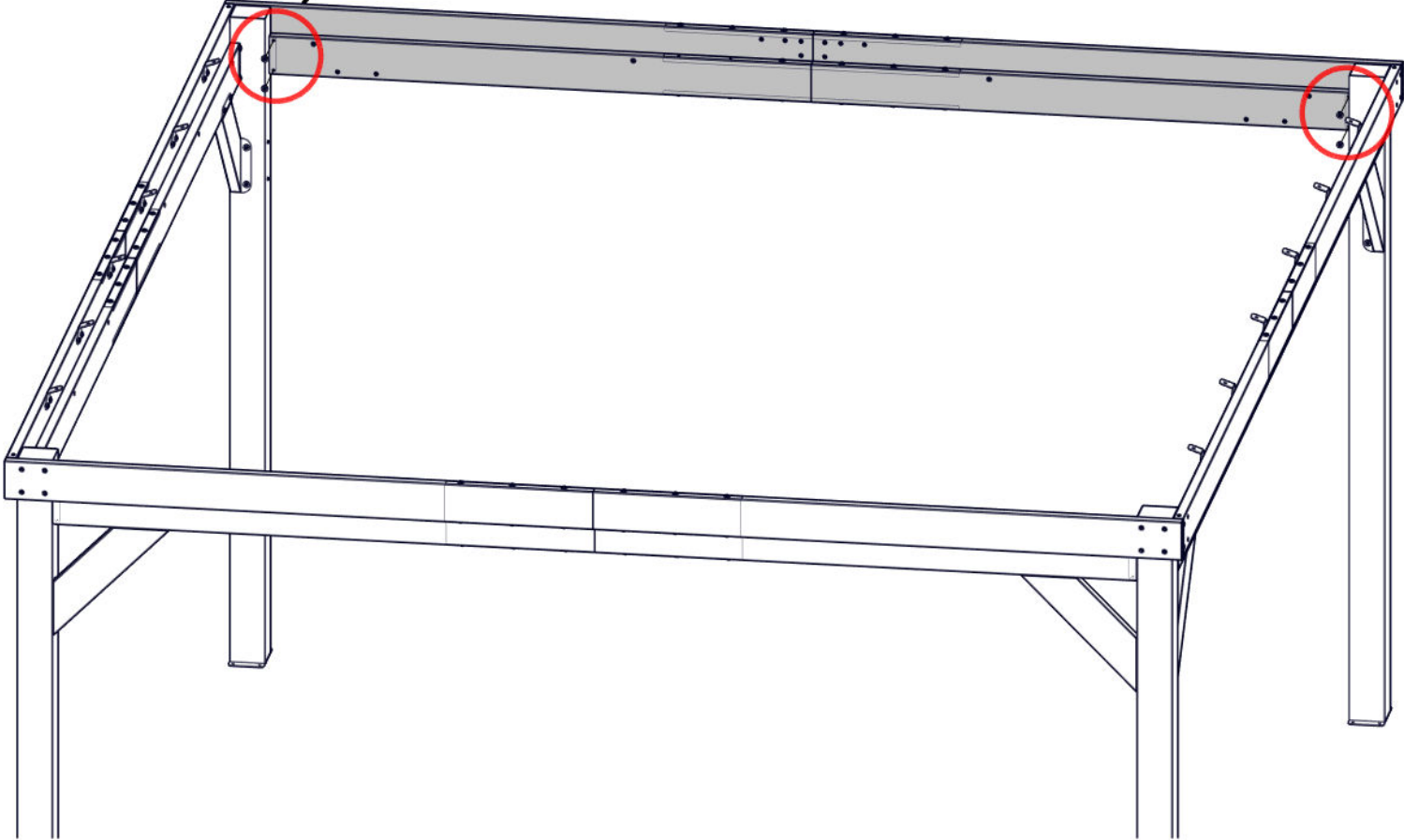
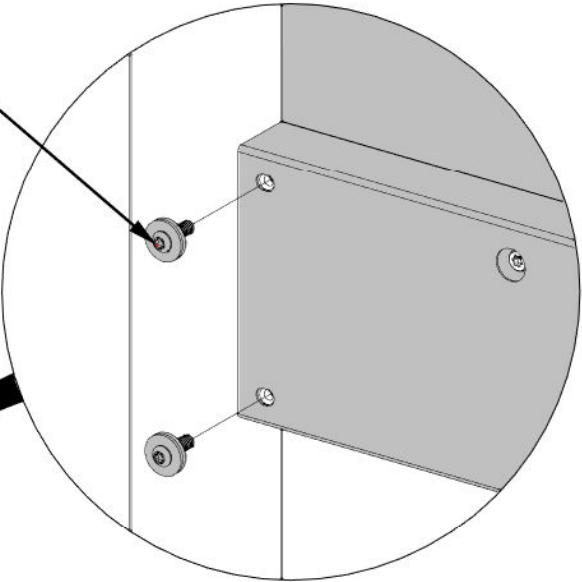
STEP 19C - FRAME ASSEMBLY

Qty	PartNo	Description
4	H101202	TORX PAN HEAD 1/4-20x3/4 ASSY

- SQUARE BEAM ASSEMBLY TO POST.

1202 (x4)
TORX PAN HEAD 1/4-20x3/4 ASSY

TIGHTEN ALL HARDWARE



STEP 20 - FRAME ASSEMBLY

Qty	PartNo	Description
8	H101202	TORX PAN HEAD 1/4-20x3/4 ASSY



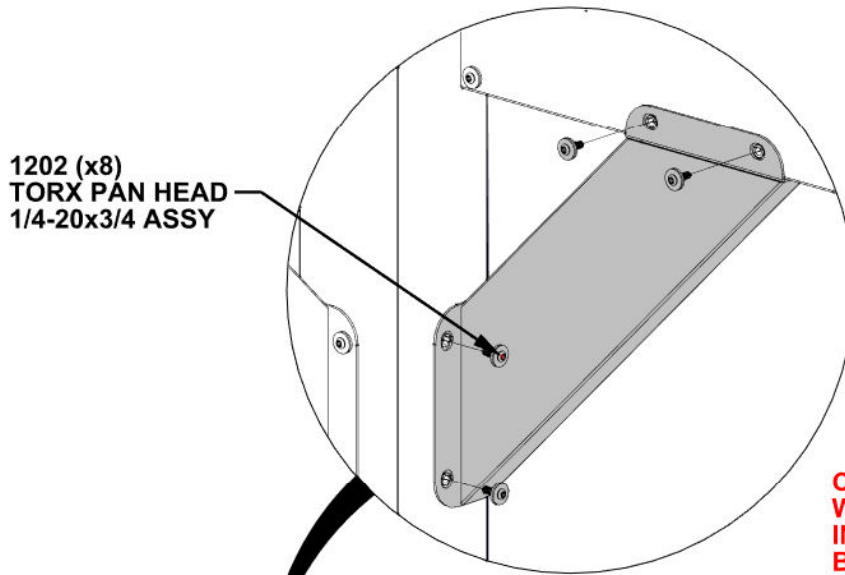
C01 CORBEL ASSEMBLY - A4M03525
(x1) 21 13/16"x5 1/4"x2 3/4" (70x134x553.5)



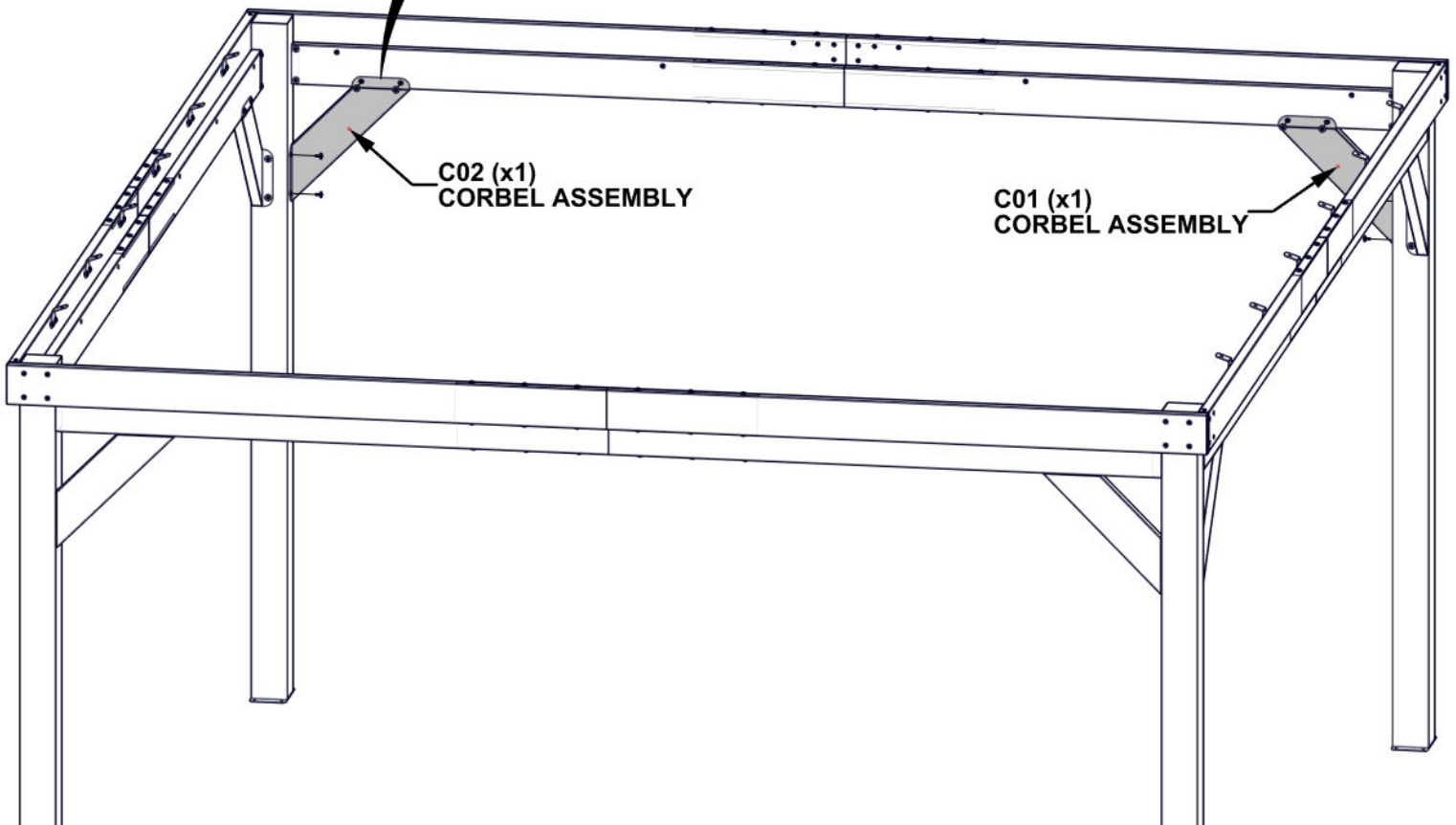
C02 CORBEL ASSEMBLY - A4M03526
(x1) 21 13/16"x5 1/4"x2 3/4" (70x134x553.5)

- ATTACH CORBELS TO BEAM AND POST.

- SQUARE AS NEEDED BEFORE TIGHTENING ALL HARDWARE FROM PREVIOUS STEPS.



CORBEL BRACKET HOLES WILL FIT AROUND THREADED INSERTS AND FLUSH AGAINST BEAM AND POST

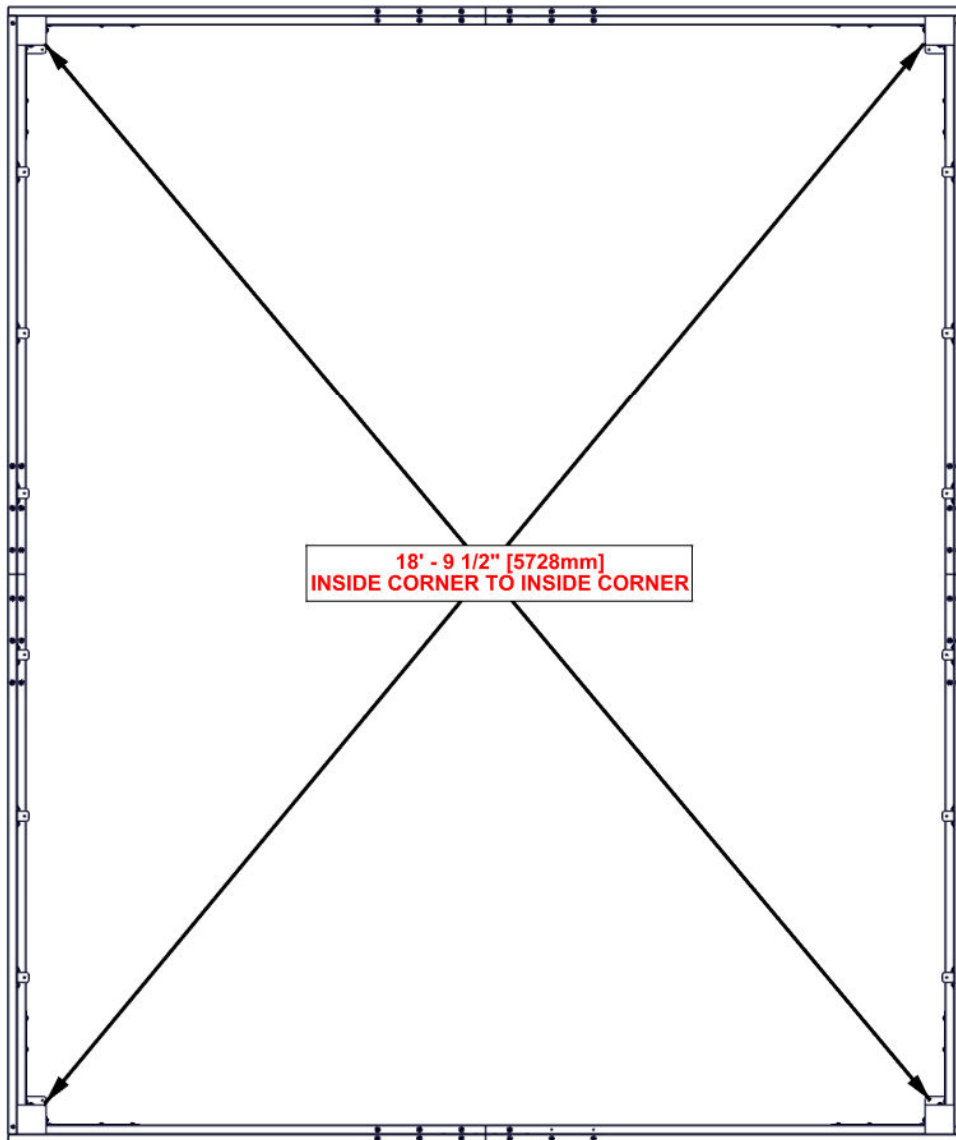


STEP 21 - SQUARE STRUCTURE

CRITICAL:

- SQUARE UNIT BEFORE PROCEEDING TO NEXT STEPS.
- THE BELOW DIMENSIONS ARE CRITICAL TO THE FINAL ASSEMBLY.
- MEASUREMENTS SHOULD BE WITHIN +/- 1/4" (6mm).
- MEASUREMENTS OUTSIDE OF TOLERANCE WILL LEAD TO ISSUES ON FUTURE ASSEMBLY STEPS.
- TIGHTEN ALL HARDWARE FROM PREVIOUS STEPS.

MEASUREMENTS TAKEN FROM INSIDE CORNER TO INSIDE CORNER OF POST



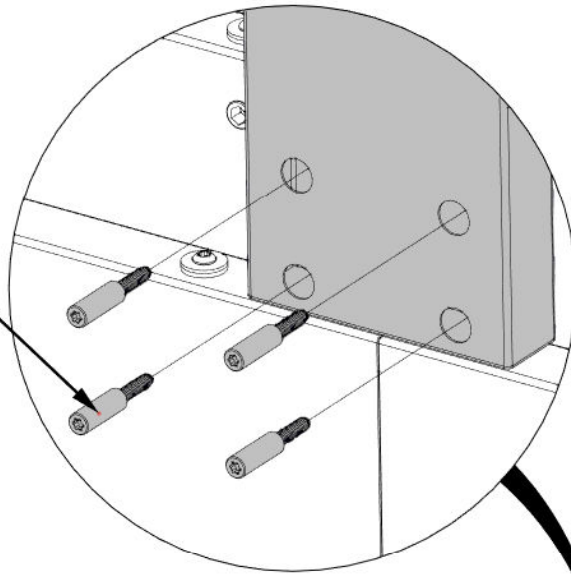
STEP 22 - GABLE ASSEMBLY

Qty	PartNo	Description
8	H101103	TORX SOCKET SCREW 1/4-20

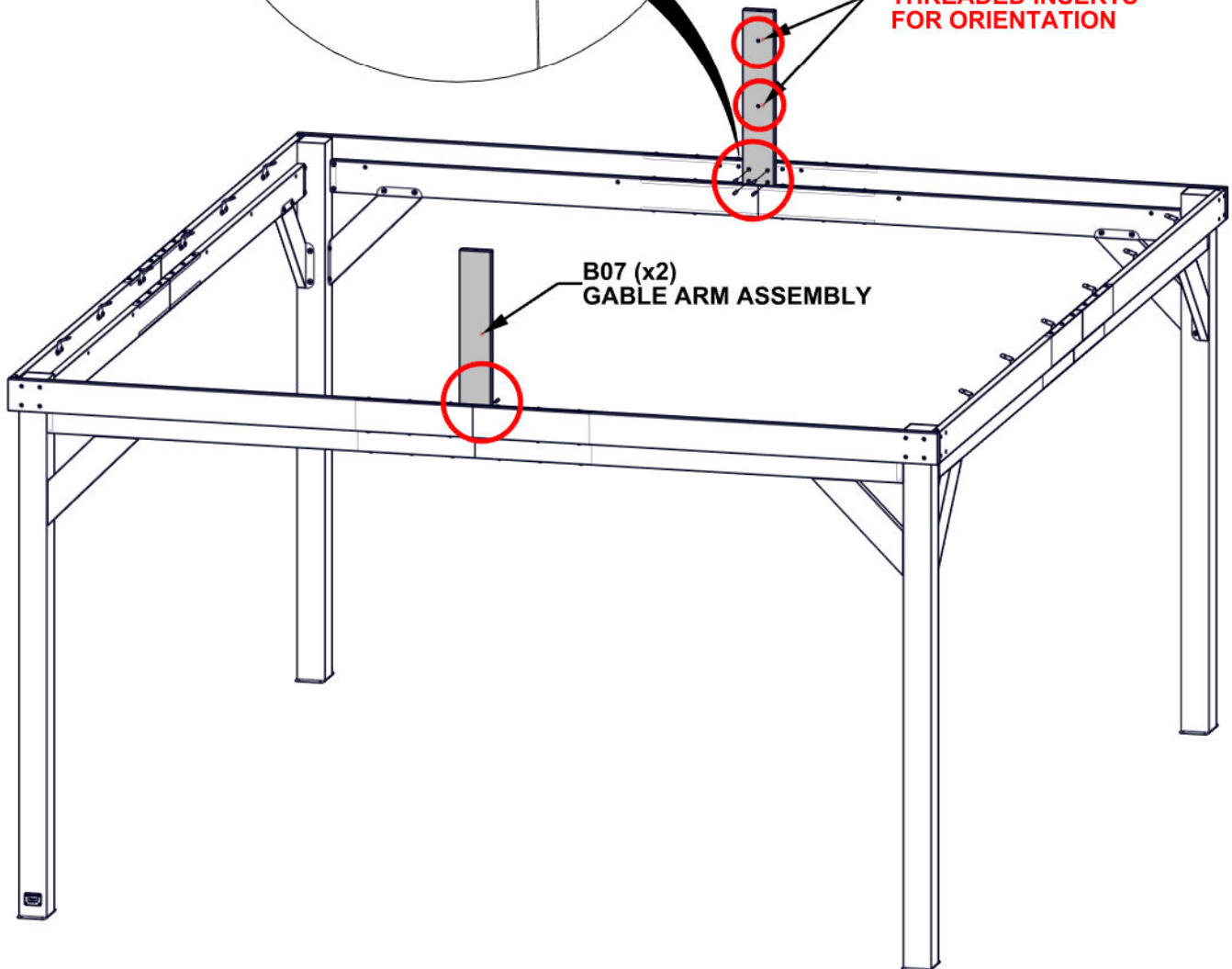


B07 GABLE ARM ASSEMBLY - A4M03513
(x2) 29 3/16"x5 1/4"x1 7/16" (36x134x741)

1103 (x8)
TORX SOCKET
SCREW 1/4-20



NOTE LOCATION OF
THREADED INSERTS
FOR ORIENTATION



STEP 23A - RIDGE BEAM ASSEMBLY

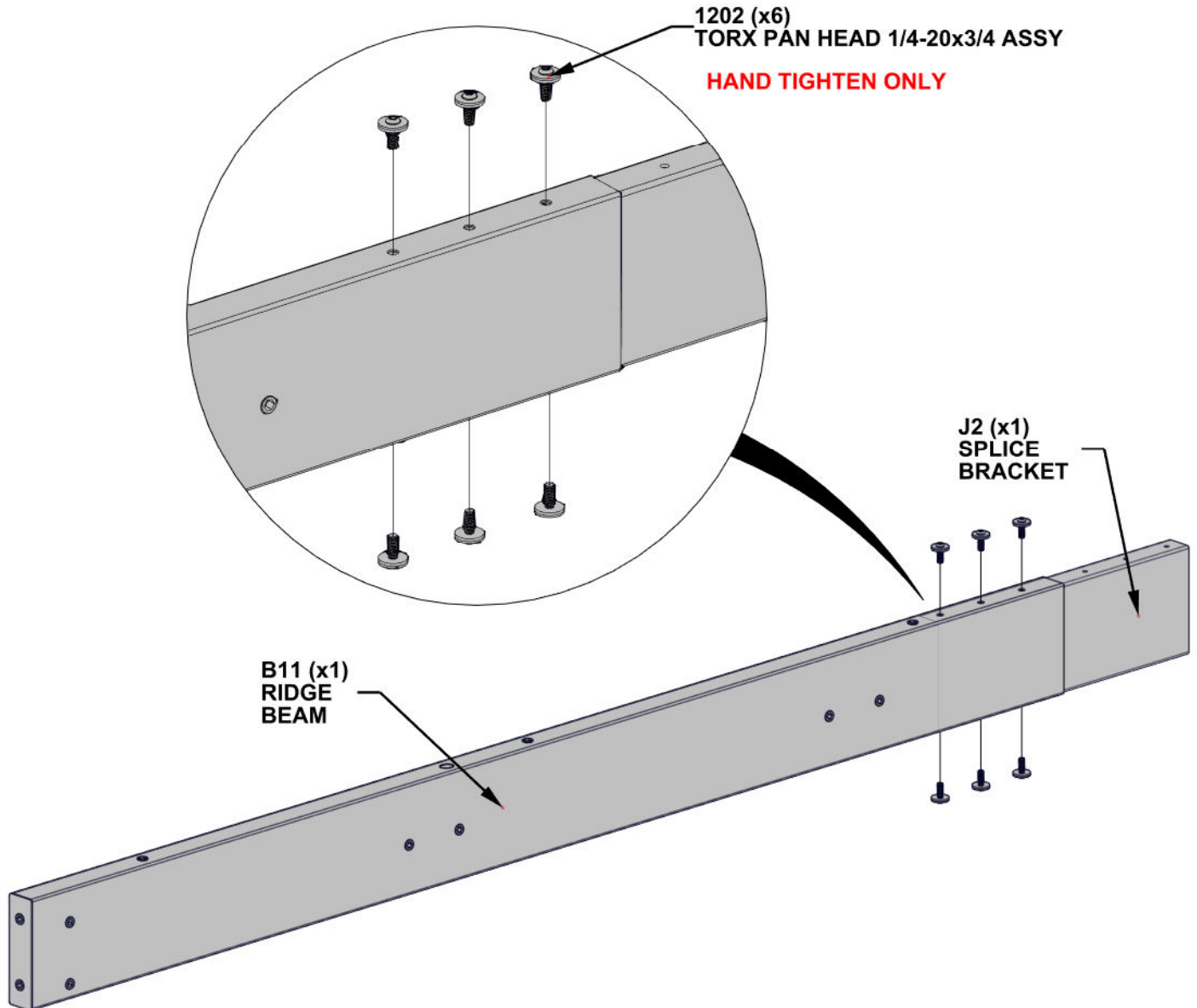
Qty	PartNo	Description
6	H101202	TORX PAN HEAD 1/4-20x3/4 ASSY



B11 RIDGE BEAM - A4M04436
(x1) 1 7/16"X5 1/4"X64 13/16" (36x134x1646.66)



J2 SPLICE BRACKET - A4M01270
(x1) 1 1/4"X5 1/8"X15 3/4" (33x131x400)



BEAM AND SPLICE MUST BE ORIENTED AS SHOWN ABOVE. SLIDE J2 INTO B11 AND LINE UP THREE HOLES TOP AND BOTTOM

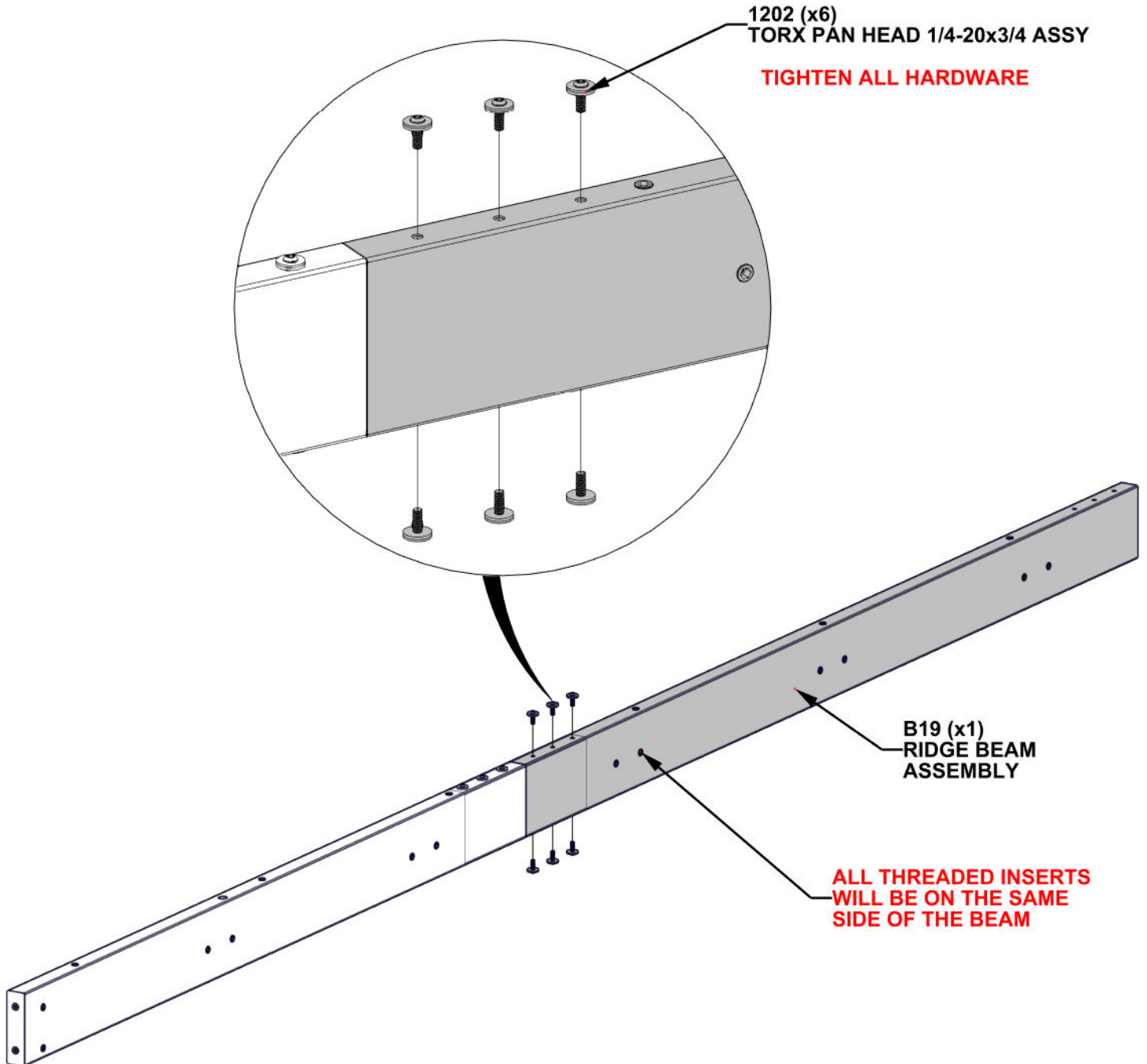
STEP 23B - RIDGE BEAM ASSEMBLY

Qty	PartNo	Description
6	H101202	TORX PAN HEAD 1/4-20x3/4 ASSY



B19 RIDGE BEAM ASSEMBLY - A4M04791
(x1) 1 7/16"X5 1/4"X79 1/16" (36x134x2007.74)

- SLIDE B19 ONTO SPLICE BRACKET.
GENTLY TAP ENDS OF ASSEMBLY WITH
RUBBER MALLET UNTIL GAP CLOSSES.



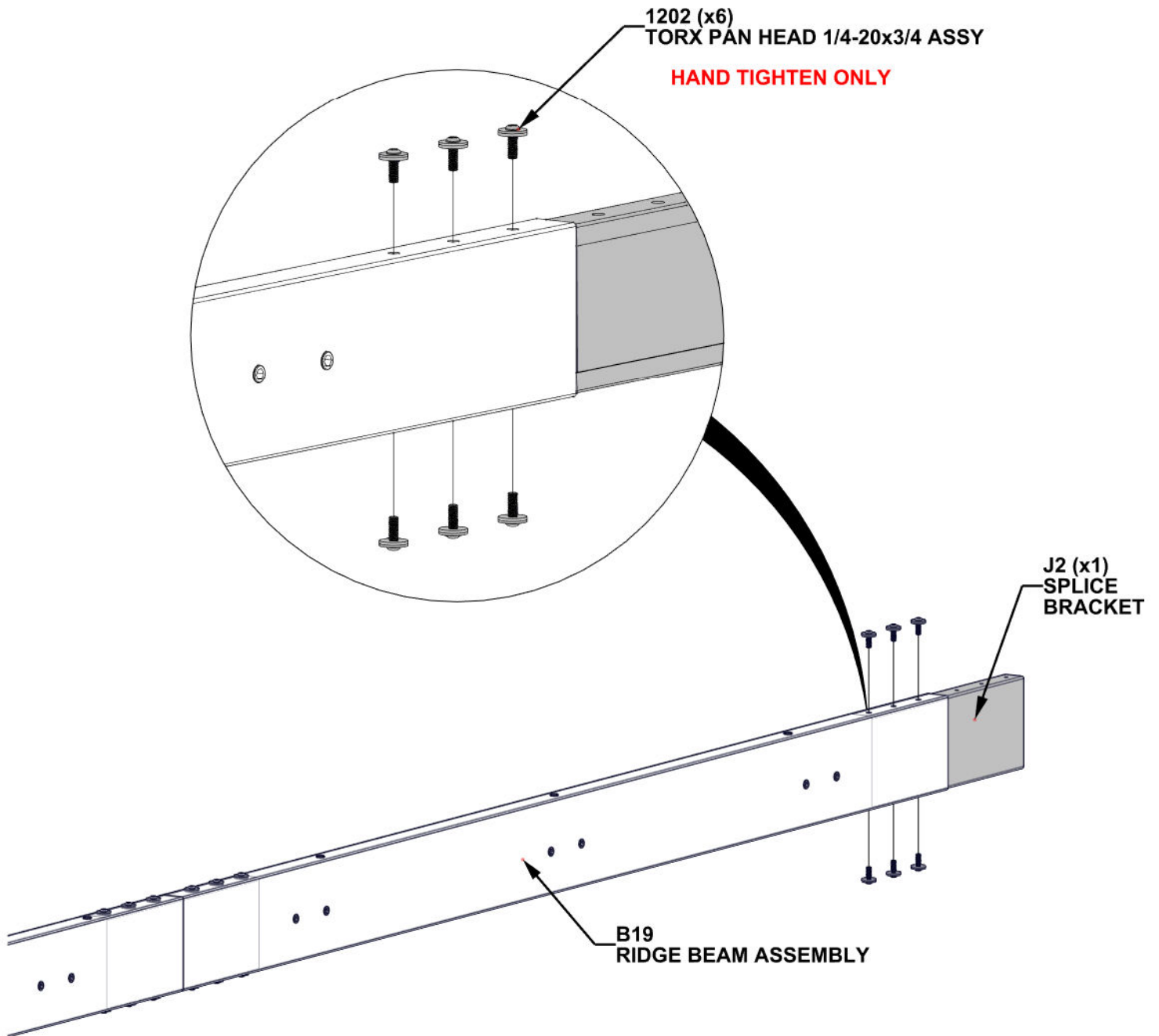
STEP 23C - RIDGE BEAM ASSEMBLY

Qty	PartNo	Description
6	H101202	TORX PAN HEAD 1/4-20x3/4 ASSY



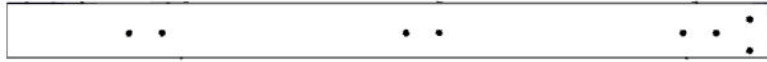
J2 SPLICE BRACKET - A4M01270
(x1) 1 1/4"X5 1/8"X15 3/4" (33x131x400)

- SLIDE J2 INTO B19 AND LINE UP THREE HOLES TOP AND BOTTOM.



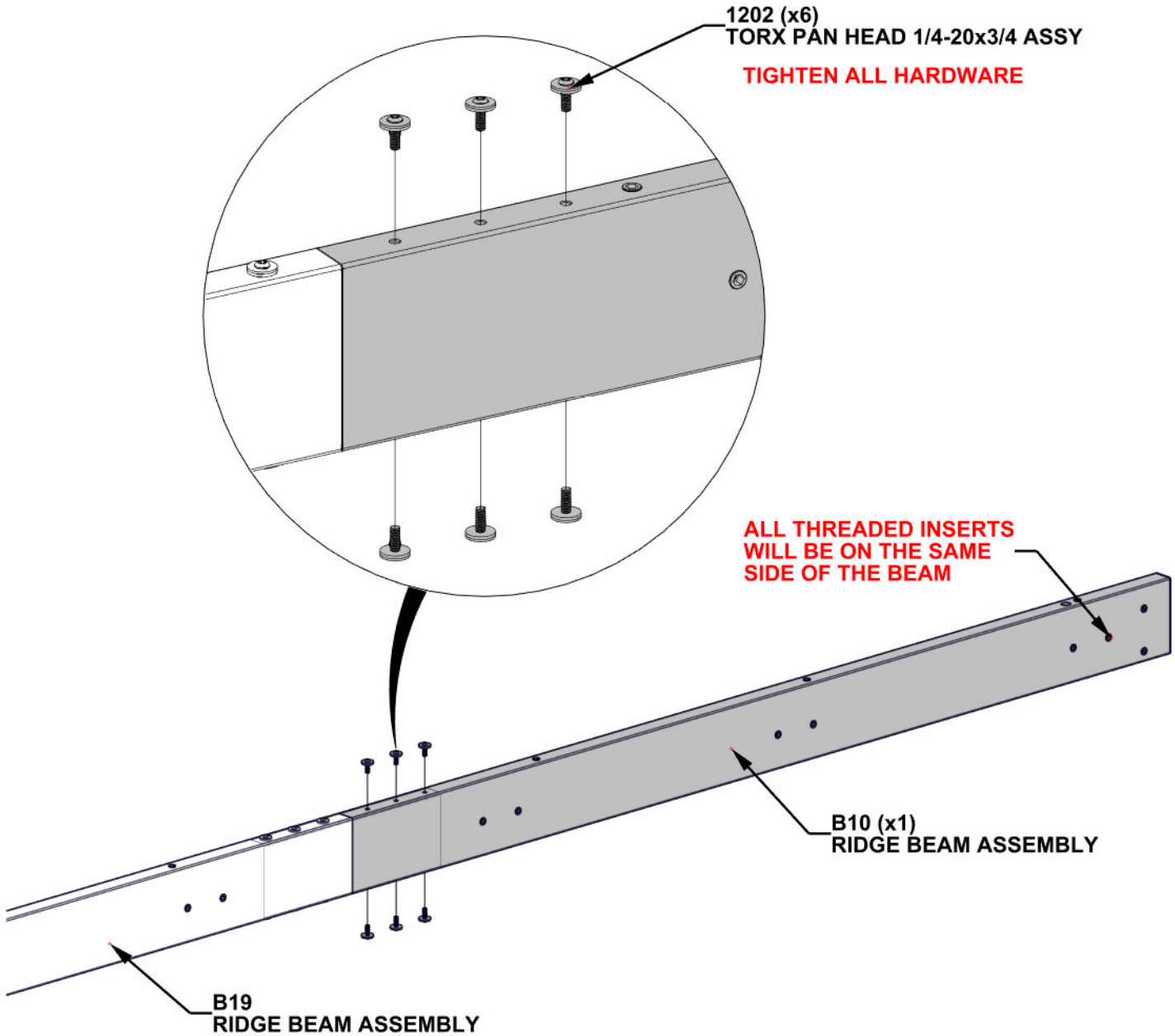
STEP 23D - RIDGE BEAM ASSEMBLY

Qty	PartNo	Description
6	H101202	TORX PAN HEAD 1/4-20x3/4 ASSY



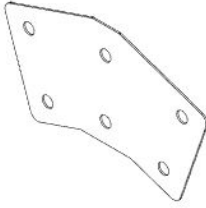
B10 RIDGE BEAM ASSEMBLY - A4M04435
(x1) 1 7/16"X5 1/4"X73 1/16" (36x134x1856)

- SLIDE B10 ONTO SPLICE BRACKET.
GENTLY TAP ENDS OF ASSEMBLY WITH
RUBBER Mallet UNTIL GAP CLOSES.



STEP 24A - RIDGE ASSEMBLY

Qty	PartNo	Description
4	H101202	TORX PAN HEAD 1/4-20x3/4 ASSY



J3 GABLE BRACKET - A4M03805
(x2) 11 1/8"x6 7/16"x1/16" (2x163x282)

1202 (x4)
TORX PAN HEAD
1/4-20x3/4 ASSY

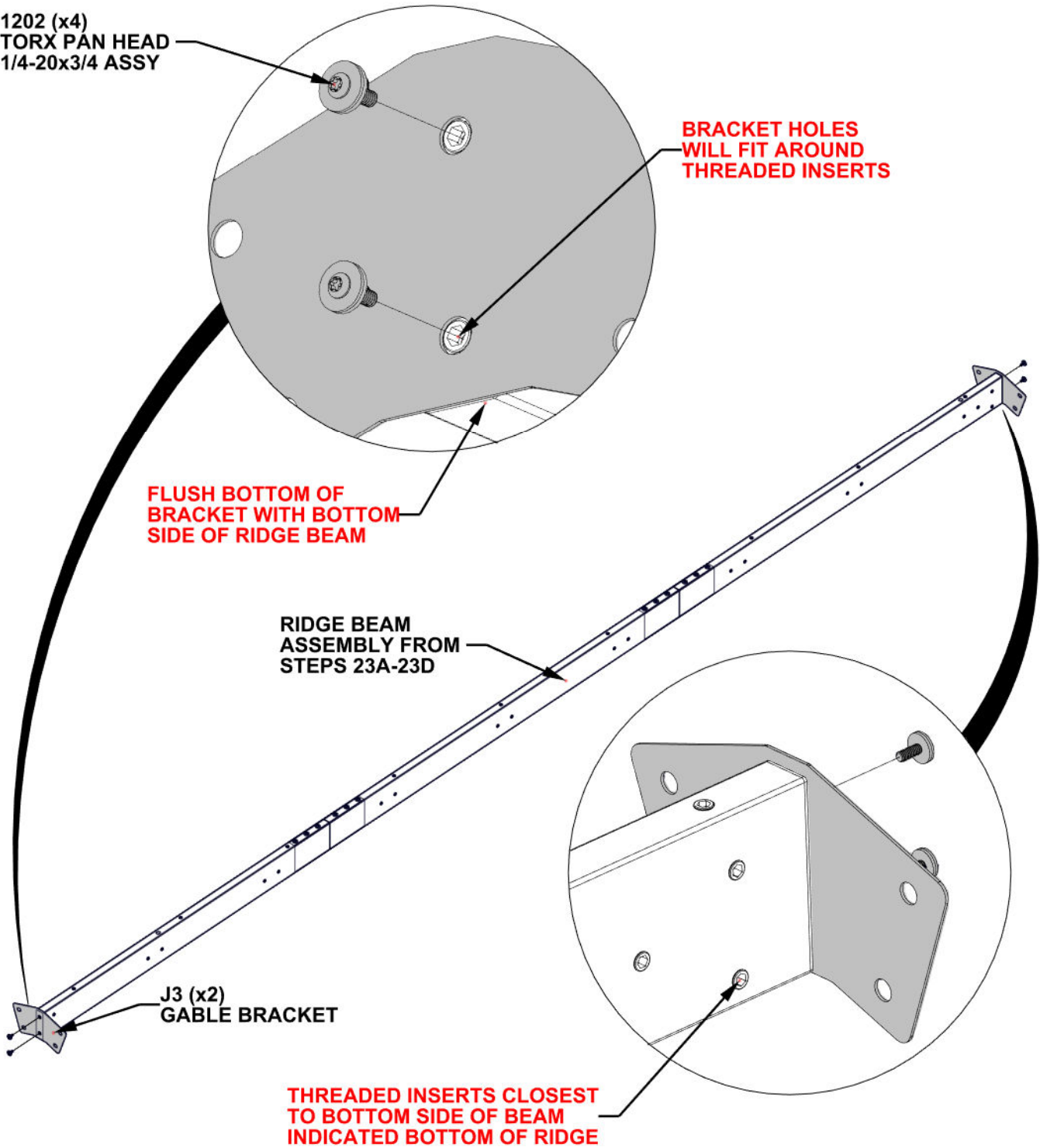
BRACKET HOLES
WILL FIT AROUND
THREADED INSERTS

FLUSH BOTTOM OF
BRACKET WITH BOTTOM
SIDE OF RIDGE BEAM

RIDGE BEAM
ASSEMBLY FROM
STEPS 23A-23D

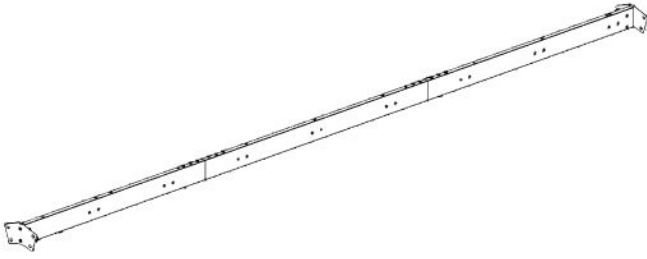
J3 (x2)
GABLE BRACKET

THREADED INSERTS CLOSEST
TO BOTTOM SIDE OF BEAM
INDICATED BOTTOM OF RIDGE



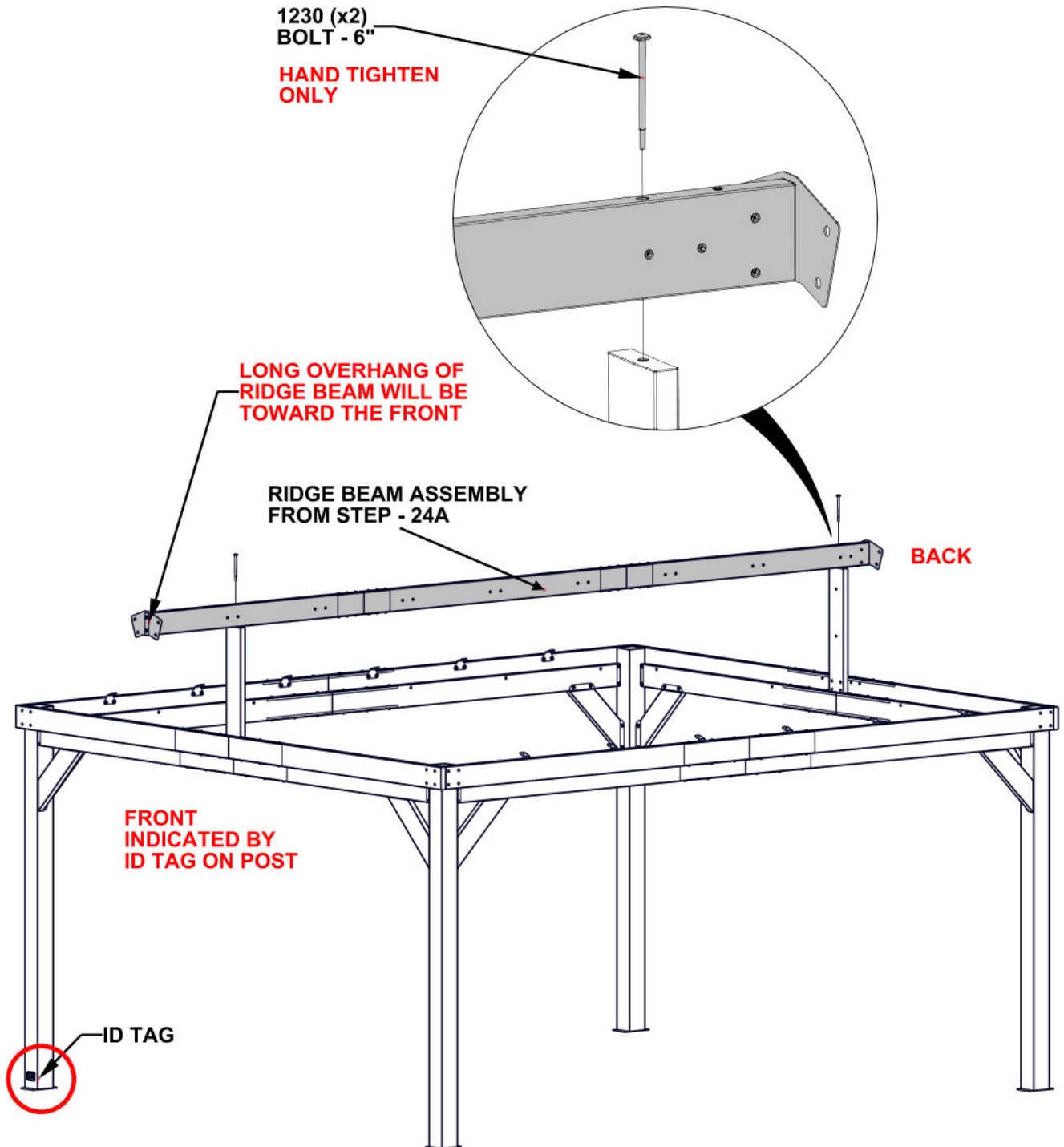
STEP 24B - RIDGE ASSEMBLY

Qty	PartNo	Description
2	H101230	BOLT WH 5/16x6 S.S.



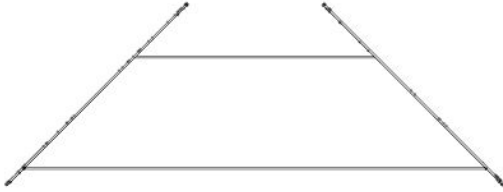
RIDGE BEAM ASSEMBLY FROM STEP - 24A

- WITH AT LEAST TWO PEOPLE, ATTACH RIDGE ASSEMBLY TO GABLE UPRIGHTS.



STEP 25 - RIDGE ASSEMBLY

Qty	PartNo	Description
8	H101202	TORX PAN HEAD 1/4-20x3/4 ASSY

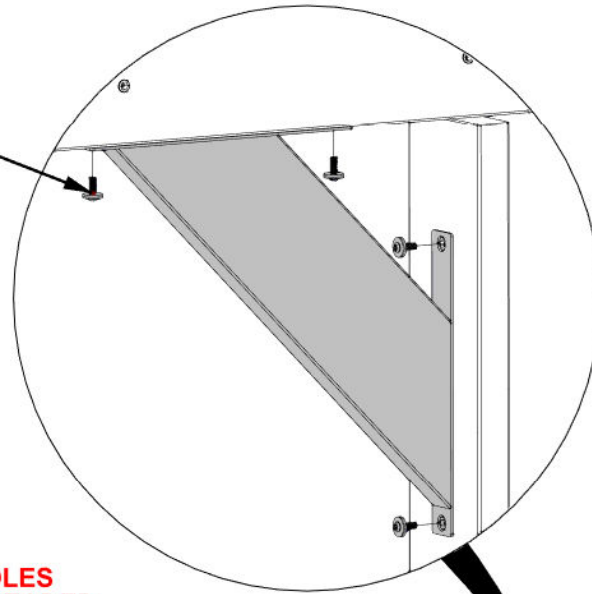


C03 CORBEL ASSEMBLY - A4M03527
(x2) 23 3/8"x12"x1 7/16" (36x304x593)

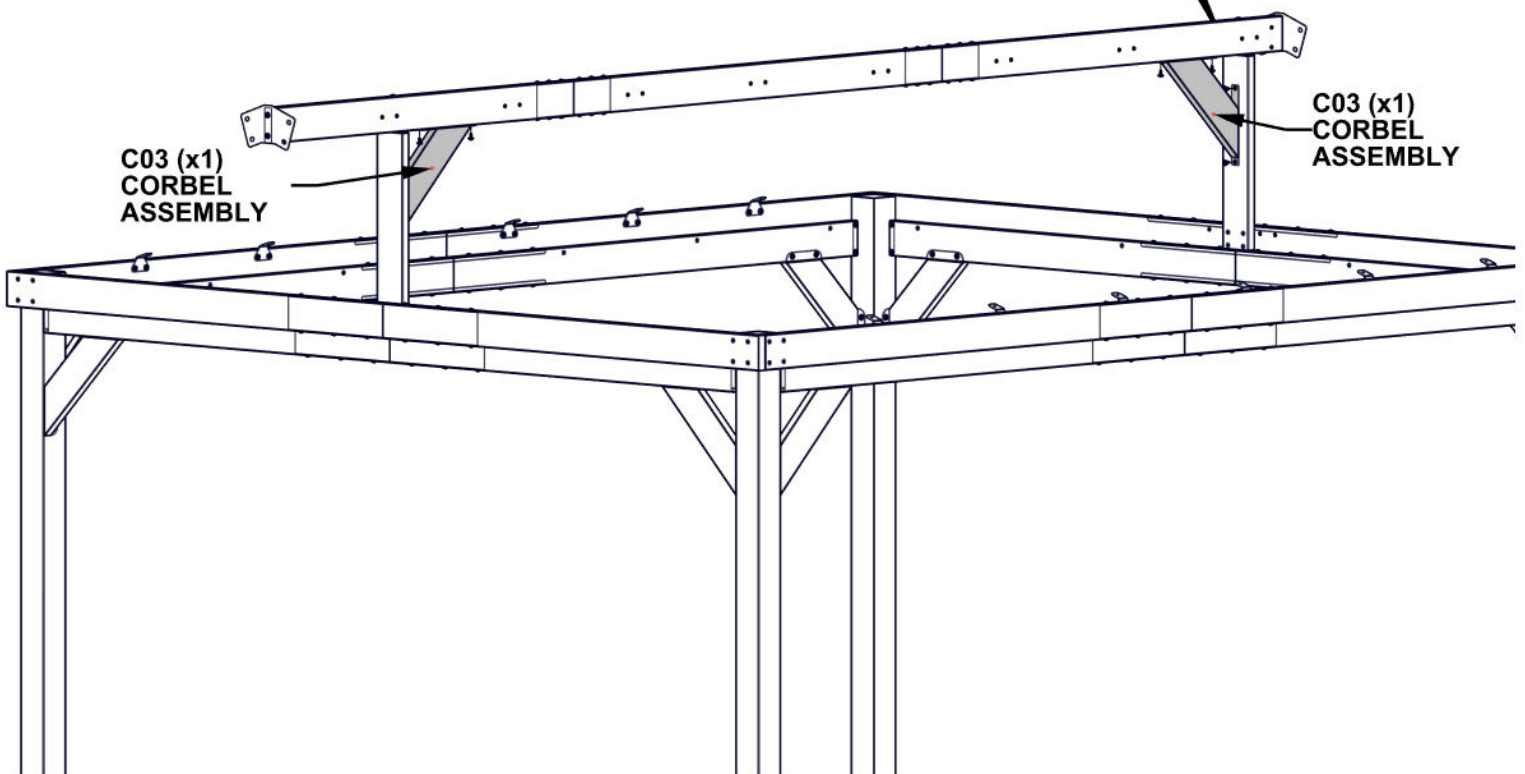
- IT IS RECOMMENDED TO USE PROVIDED ANGLE DRIVER TO INSTALL HARDWARE IN THIS STEP.
- ATTACH CORBELS TO RIDGE BEAM AND GABLE ARMS.
- **SQUARE AS NEEDED BEFORE TIGHTENING ALL HARDWARE FROM PREVIOUS STEPS.**

1202 (x8)
TORX PAN HEAD 1/4-20x3/4 ASSY

TIGHTEN ALL HARDWARE



**CORBEL BRACKET HOLES
WILL FIT AROUND THREADED
INSERTS AND FLUSH AGAINST
RIDGE BEAM AND GABLE**

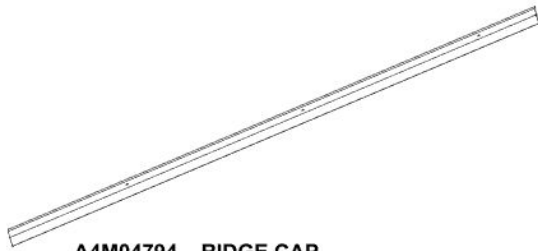


C03 (x1)
CORBEL
ASSEMBLY

C03 (x1)
CORBEL
ASSEMBLY

STEP 26A - RIDGE ASSEMBLY

Qty	PartNo	Description
3	H101054	SEALANT WASHER
3	H101053	STEEL WASHER 6x20
3	H101293	TORX PAN HEAD 1/4-20x1 3/8"

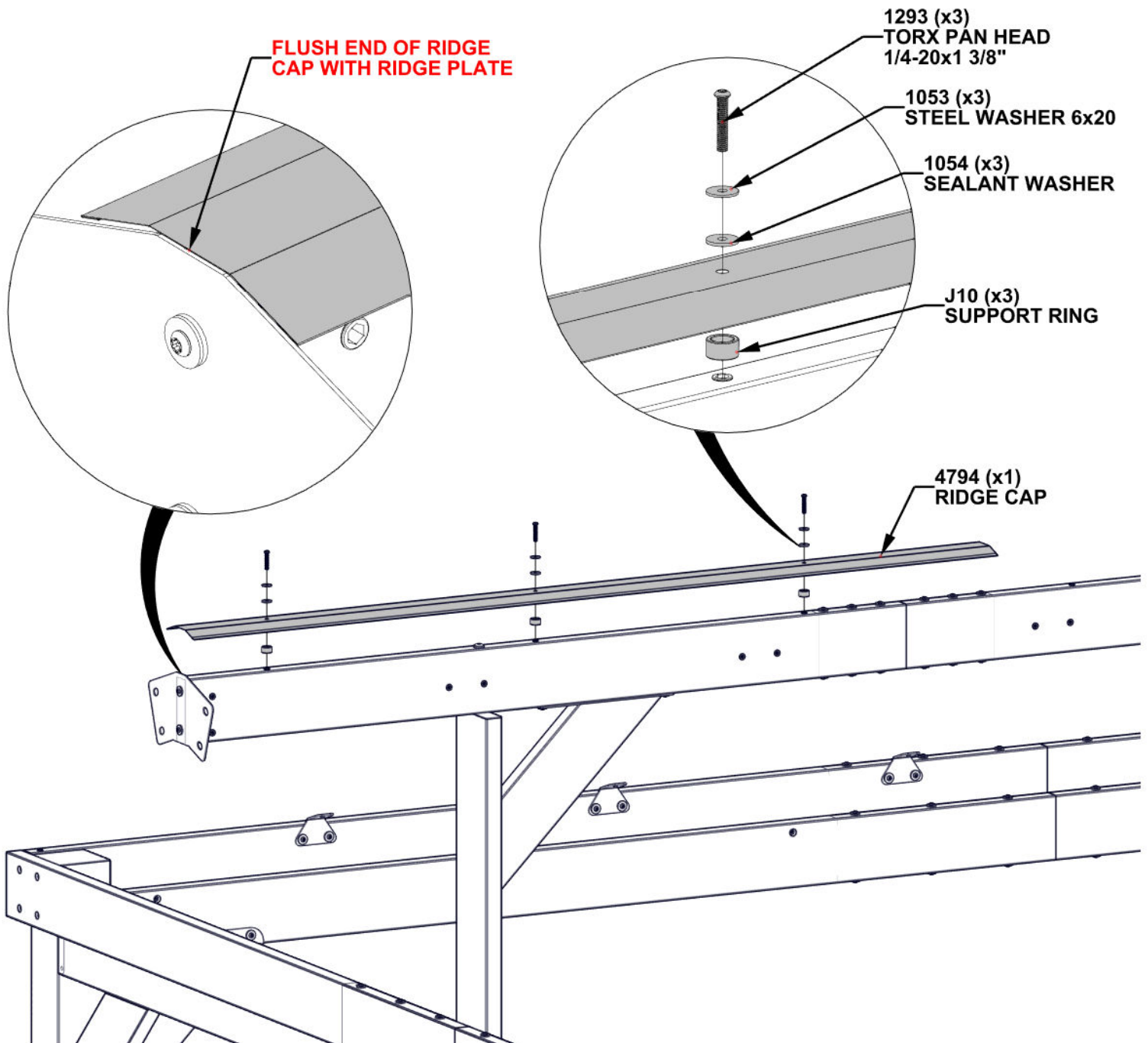


A4M04794 RIDGE CAP
(x1)

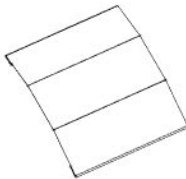


J10 SUPPORT RING - A4M03808
(x3) 13/16"x7/16" (11x20x)

- **WARNING: GLOVES ARE RECOMMENDED WHEN HANDLING STEEL ROOF PIECE.**
- REMOVE PROTECTIVE FILM.
- ORIENT RIDGE CAP AS SHOWN BELOW.

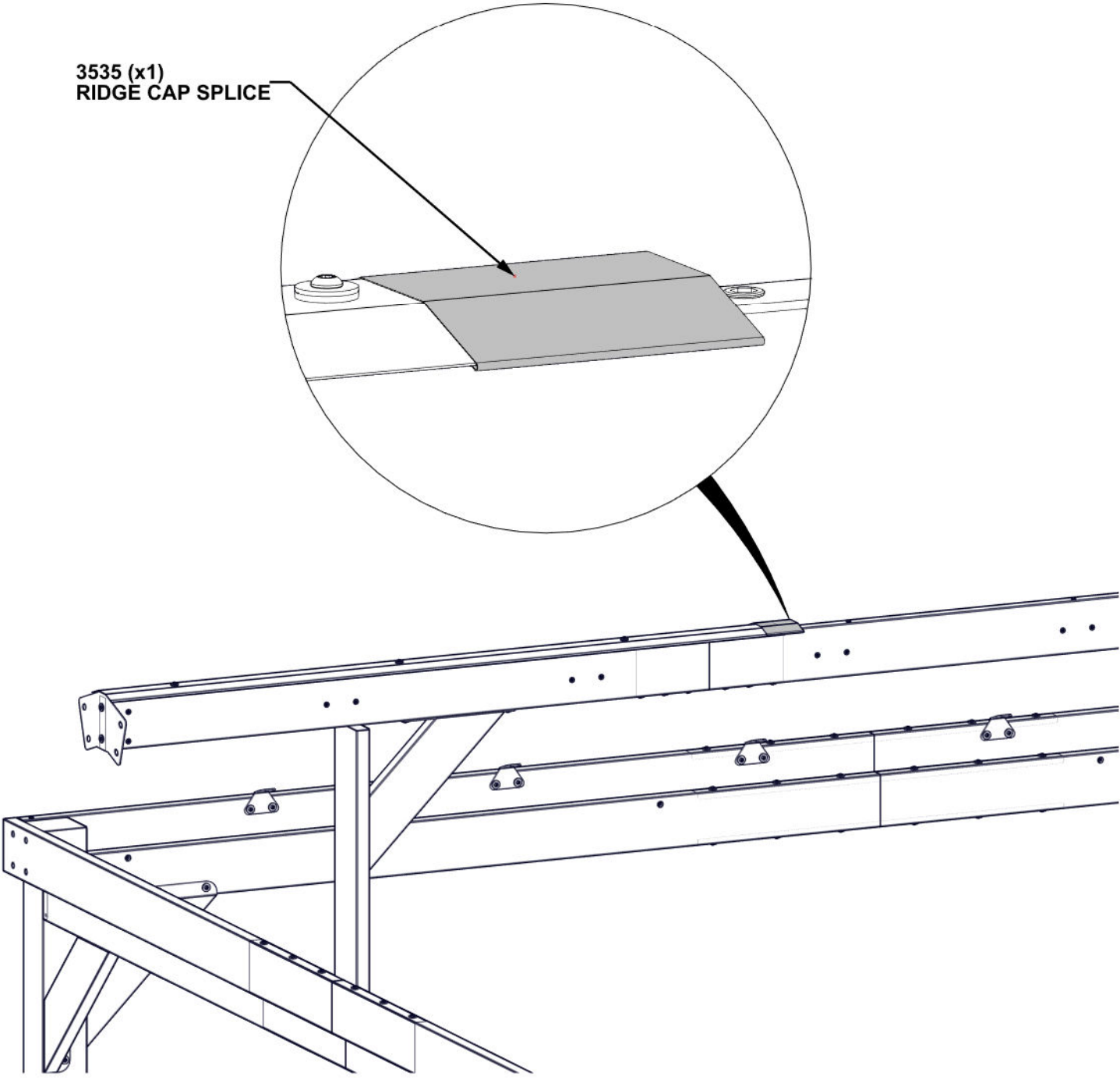


STEP 26B - RIDGE ASSEMBLY



A4M03535 RIDGE CAP SPLICE
(x1)

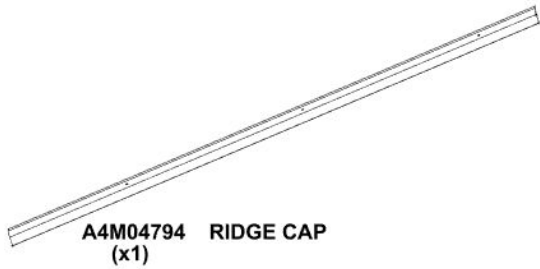
- **WARNING: GLOVES ARE RECOMMENDED WHEN HANDLING STEEL ROOF PIECE.**
- REMOVE PROTECTIVE FILM.
- ORIENT RIDGE CAP SPLICE AS SHOWN BELOW.



3535 (x1)
RIDGE CAP SPLICE

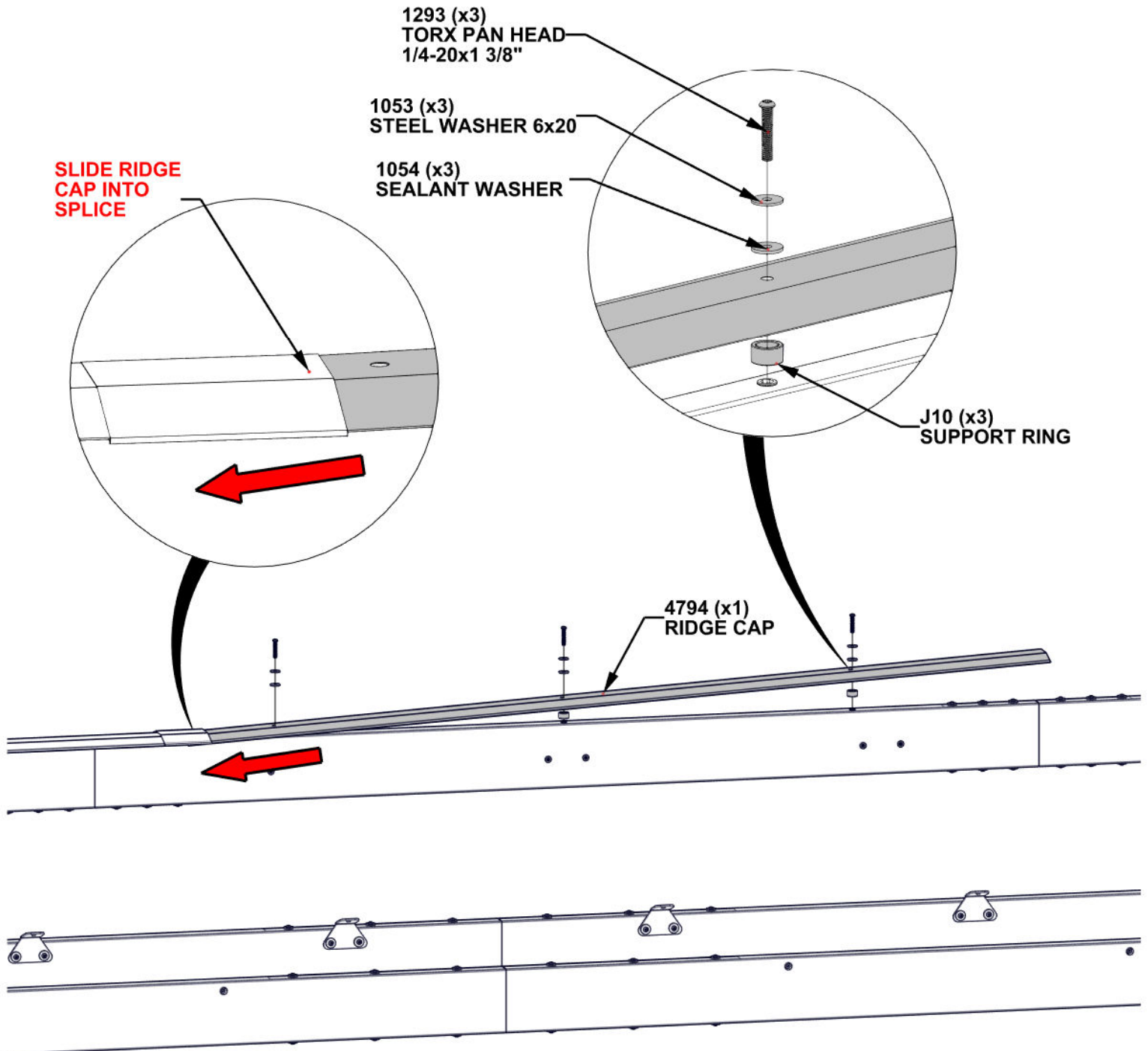
STEP 26C - RIDGE ASSEMBLY

Qty	PartNo	Description
3	H101054	SEALANT WASHER
3	H101053	STEEL WASHER 6x20
3	H101293	TORX PAN HEAD 1/4-20x1 3/8"

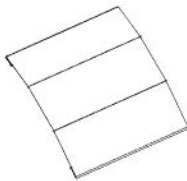


J10 SUPPORT RING - A4M03808
(x3) 13/16"x7/16" (11x20x)

- **WARNING: GLOVES ARE RECOMMENDED WHEN HANDLING STEEL ROOF PIECE.**
- REMOVE PROTECTIVE FILM.
- ORIENT RIDGE CAP AND SLIDE INTO RIDGE CAP SPLICE AS SHOWN BELOW.

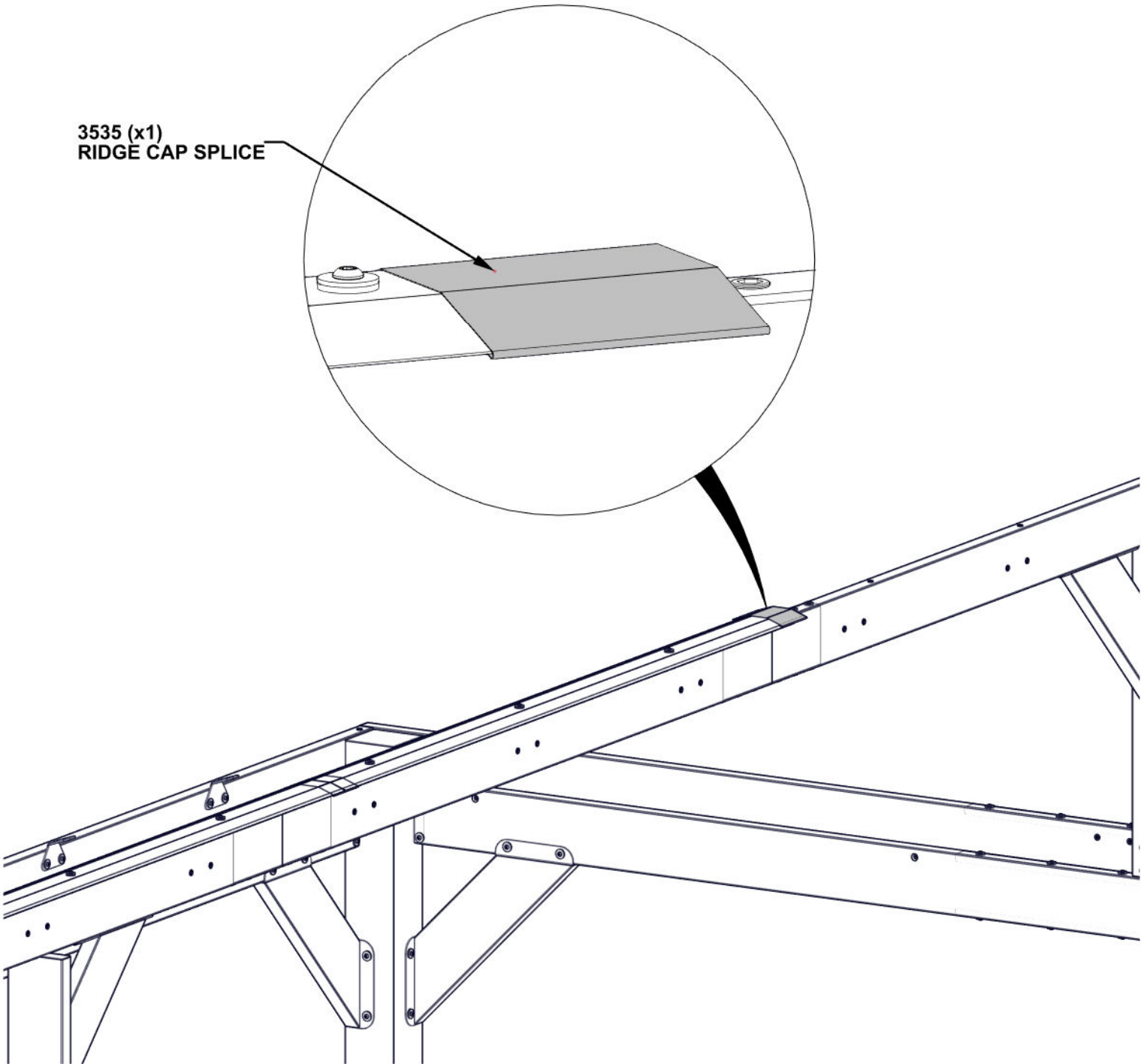


STEP 26D - RIDGE ASSEMBLY



A4M03535 RIDGE CAP SPLICE
(x1)

- **WARNING: GLOVES ARE RECOMMENDED WHEN HANDLING STEEL ROOF PIECE.**
- REMOVE PROTECTIVE FILM.
- ORIENT RIDGE CAP SPLICE AS SHOWN BELOW.



3535 (x1)
RIDGE CAP SPLICE

STEP 26E - RIDGE ASSEMBLY

Qty	PartNo	Description
3	H101054	SEALANT WASHER
3	H101053	STEEL WASHER 6x20
3	H101293	TORX PAN HEAD 1/4-20x1 3/8"

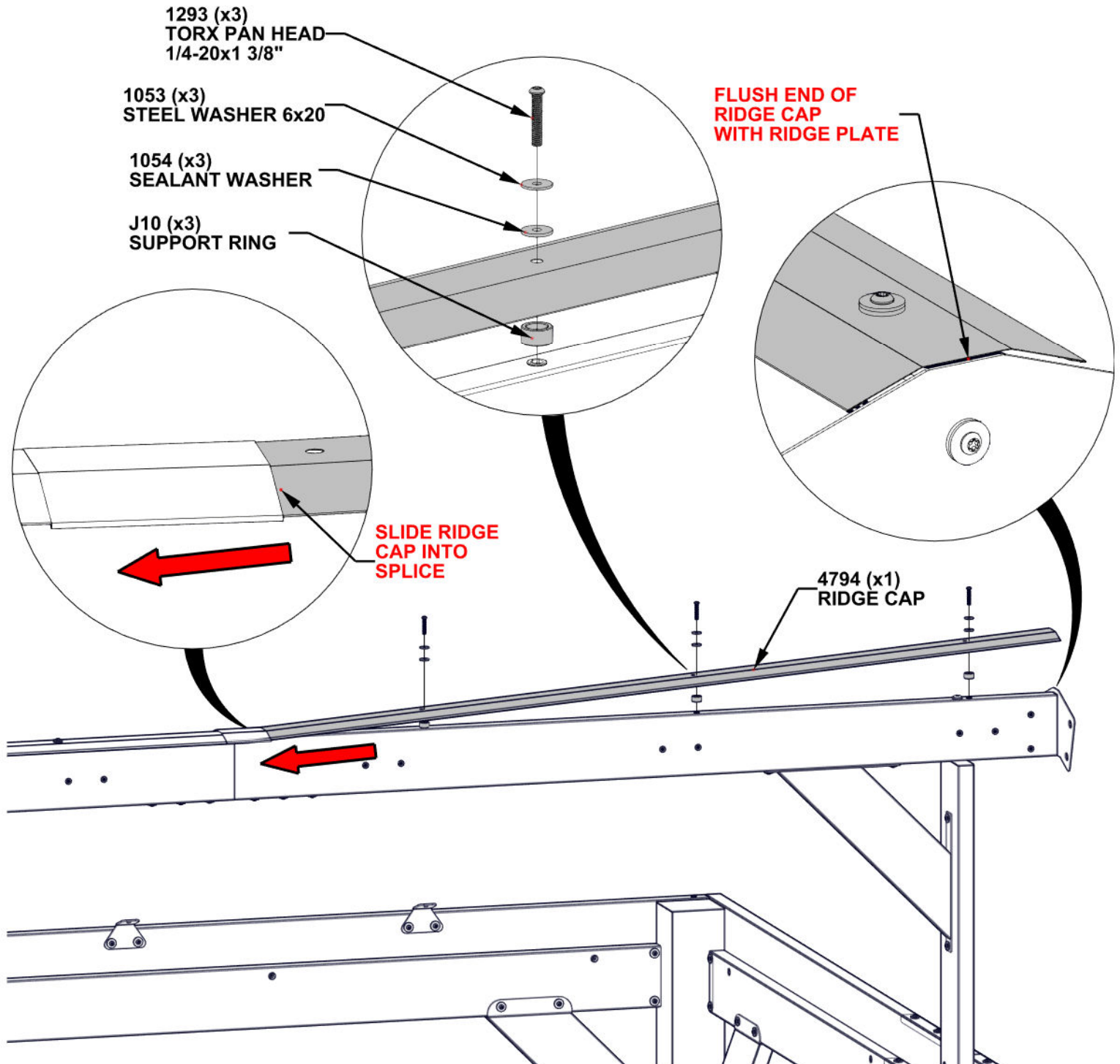


A4M04794 RIDGE CAP
(x1)



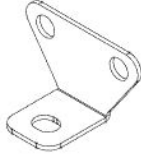
J10 SUPPORT RING - A4M03808
(x3) 13/16"x7/16" (11x20x)

- **WARNING: GLOVES ARE RECOMMENDED WHEN HANDLING STEEL ROOF PIECE.**
- REMOVE PROTECTIVE FILM.
- ORIENT RIDGE CAP AND SLIDE INTO RIDGE CAP SPLICE AS SHOWN BELOW.



STEP 27 - ROOF ASSEMBLY

Qty	PartNo	Description
4	H101202	TORX PAN HEAD 1/4-20x3/4 ASSY



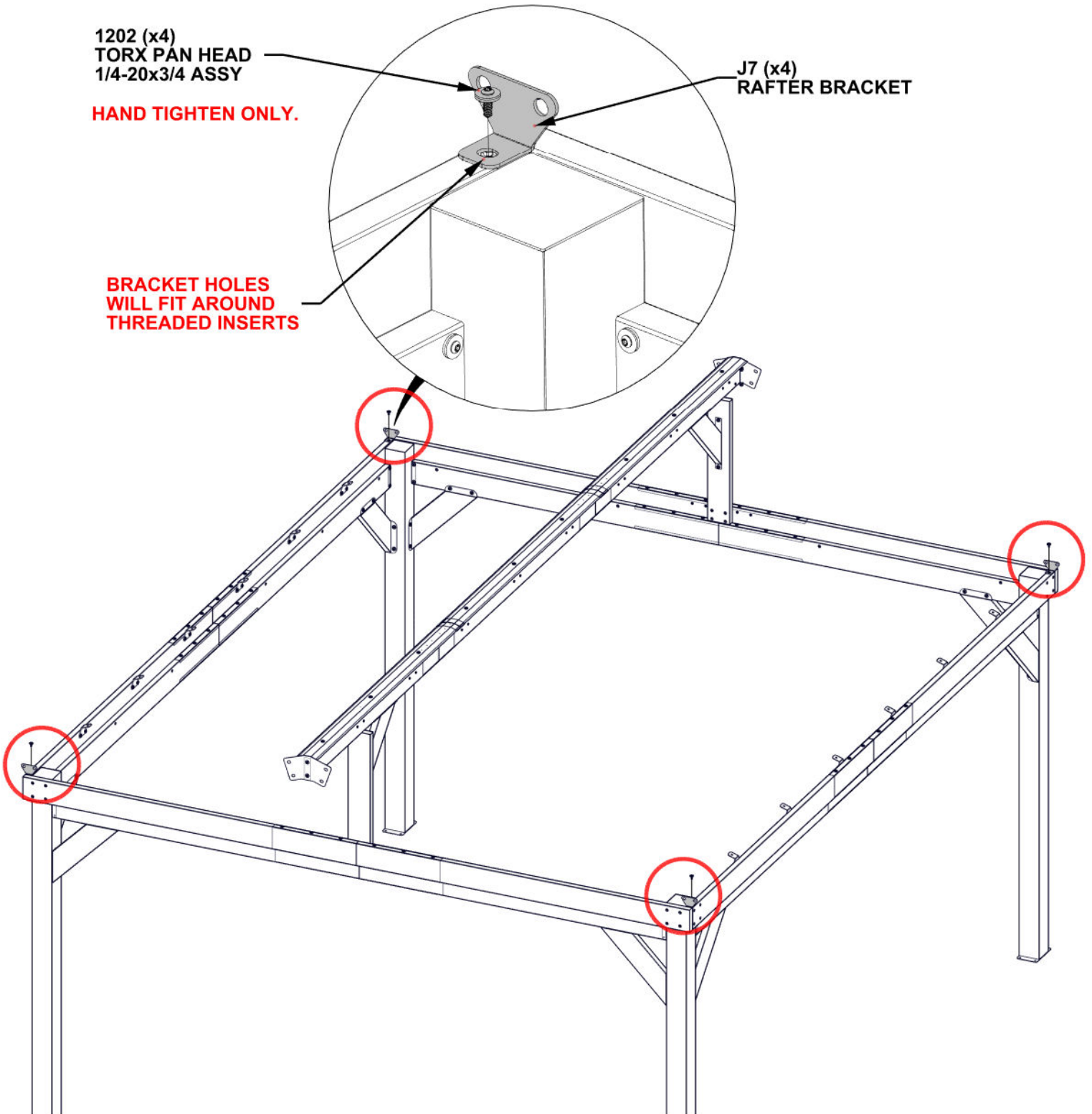
J7 RAFTER BRACKET - A4M03802
(x4) 3 5/8"x2 3/16"x2" (50x55x92)

1202 (x4)
TORX PAN HEAD
1/4-20x3/4 ASSY

HAND TIGHTEN ONLY.

**BRACKET HOLES
WILL FIT AROUND
THREADED INSERTS**

J7 (x4)
RAFTER BRACKET



STEP 28 - ROOF ASSEMBLY

Qty	PartNo	Description
16	H101202	TORX PAN HEAD 1/4-20x3/4 ASSY



R01 RAFTER ASSEMBLY - A4M03522
(x2) 86 3/8"x4 5/16"x3 1/8" (80x110x2194.6)



R02 RAFTER ASSEMBLY - A4M03523
(x2) 86 3/8"x4 5/16"x3 1/8" (80x110x2194.6)

- INSERTS ON THE SIDE OF EACH RAFTER MUST FACE TOWARD THE INSIDE OF THE STRUCTURE AS SHOWN IN SMALL CIRCLES.

- ATTACH EACH RAFTER AT THE RIDGE AS SHOWN BELOW.

- ONCE SUPPORTED, ATTACH END OF RAFTER TO RAFTER BRACKETS AT TOP OF EACH POST.

BRACKET HOLES WILL FIT AROUND THREADED INSERTS

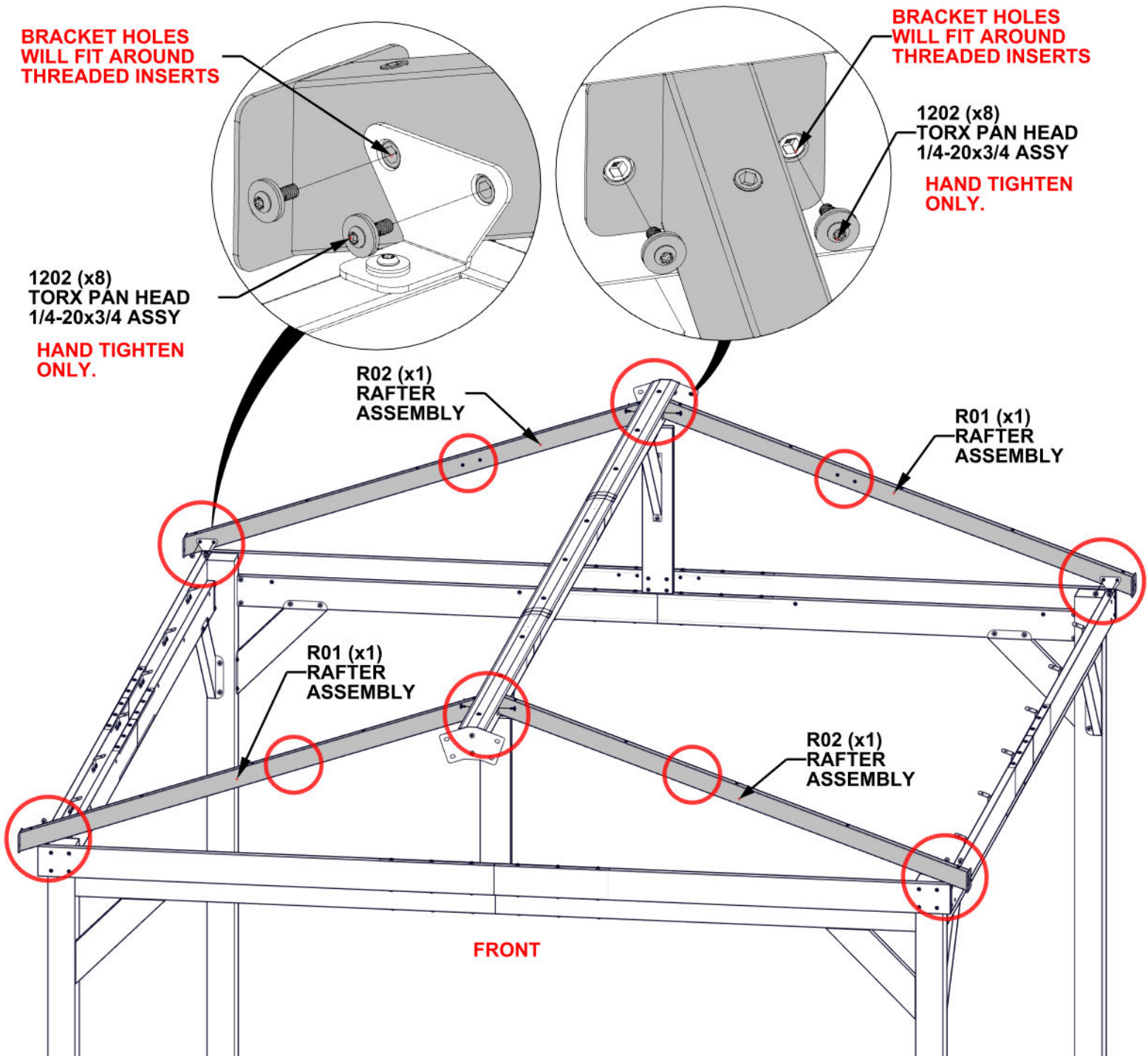
BRACKET HOLES WILL FIT AROUND THREADED INSERTS

**1202 (x8)
TORX PAN HEAD
1/4-20x3/4 ASSY**

HAND TIGHTEN ONLY.

**1202 (x8)
TORX PAN HEAD
1/4-20x3/4 ASSY**

HAND TIGHTEN ONLY.



FRONT

STEP 29 - ROOF ASSEMBLY

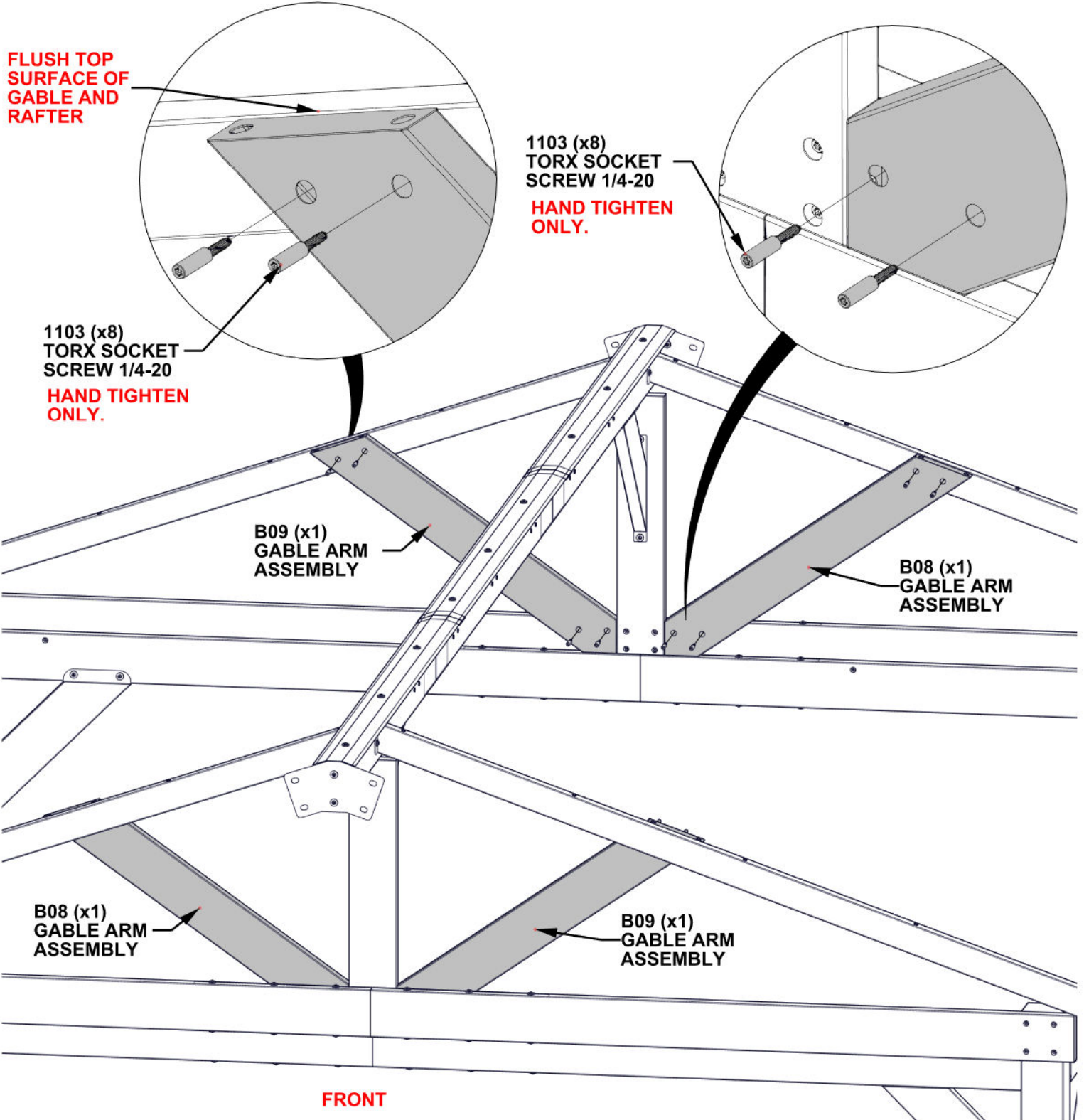
Qty	PartNo	Description
16	H101103	TORX SOCKET SCREW 1/4-20



B08 GABLE ARM ASSEMBLY - A4M03514
(x2) 40 1/16"x5 1/4"x1 7/16" (36x134x1017)



B09 GABLE ARM ASSEMBLY - A4M03515
(x2) 40 1/16"x5 1/4"x1 7/16" (36x134x1017)



STEP 30A - ROOF ASSEMBLY

Qty	PartNo	Description
24	H101202	TORX PAN HEAD 1/4-20x3/4 ASSY



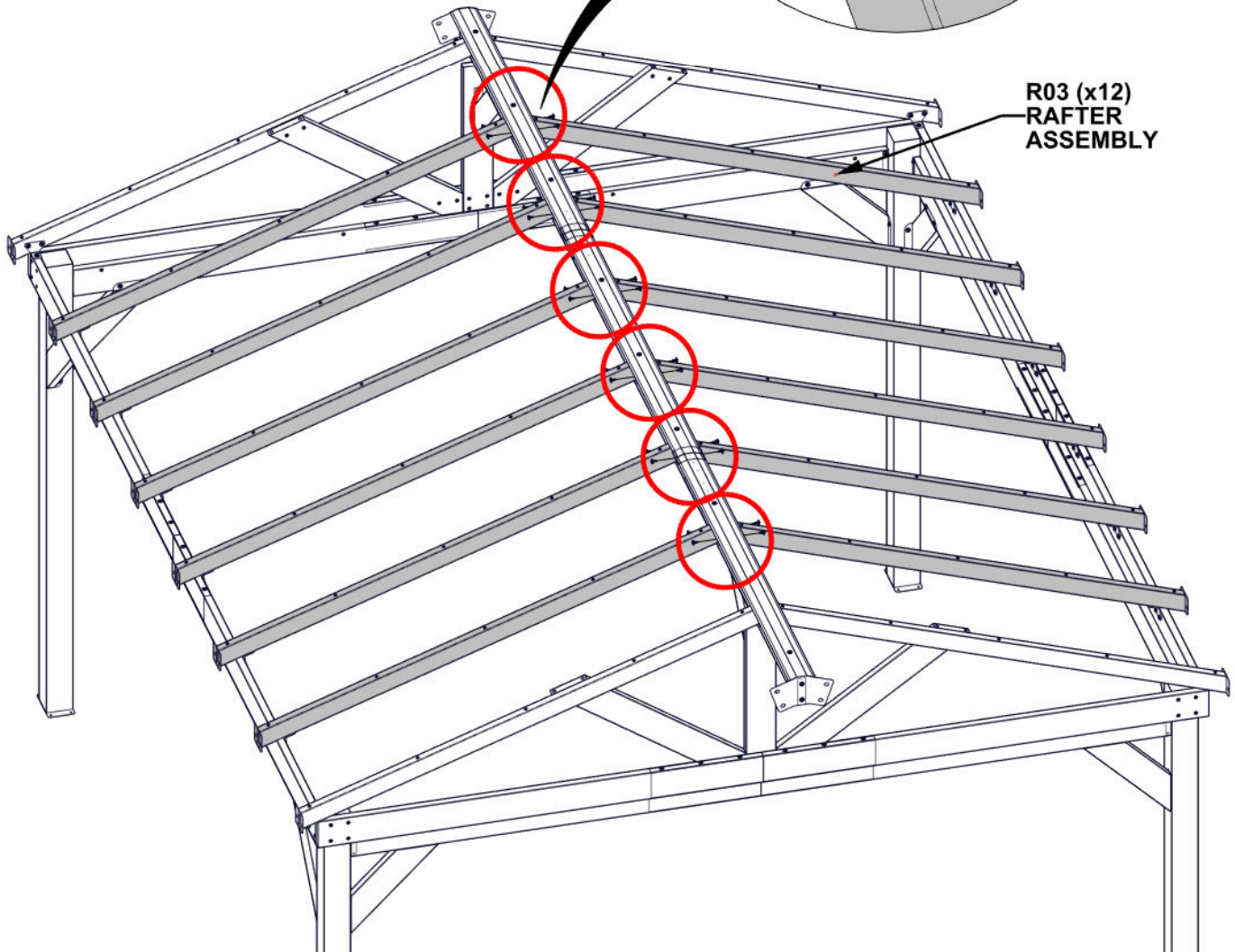
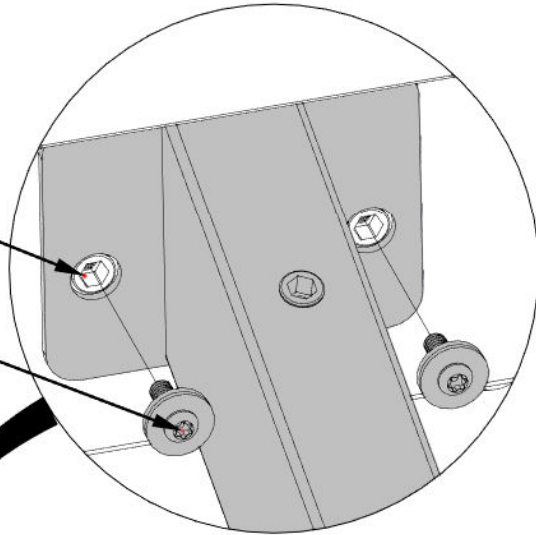
R03 RAFTER ASSEMBLY - A4M03524
(x12) 86 3/8"x4 5/16"x3 1/8" (80x110x2194.6)

- ATTACH EACH RAFTER AT THE RIDGE AS SHOWN BELOW.

**BRACKET HOLES
WILL FIT AROUND
THREADED INSERTS**

1202 (x24)
TORX PAN HEAD 1/4-20x3/4 ASSY

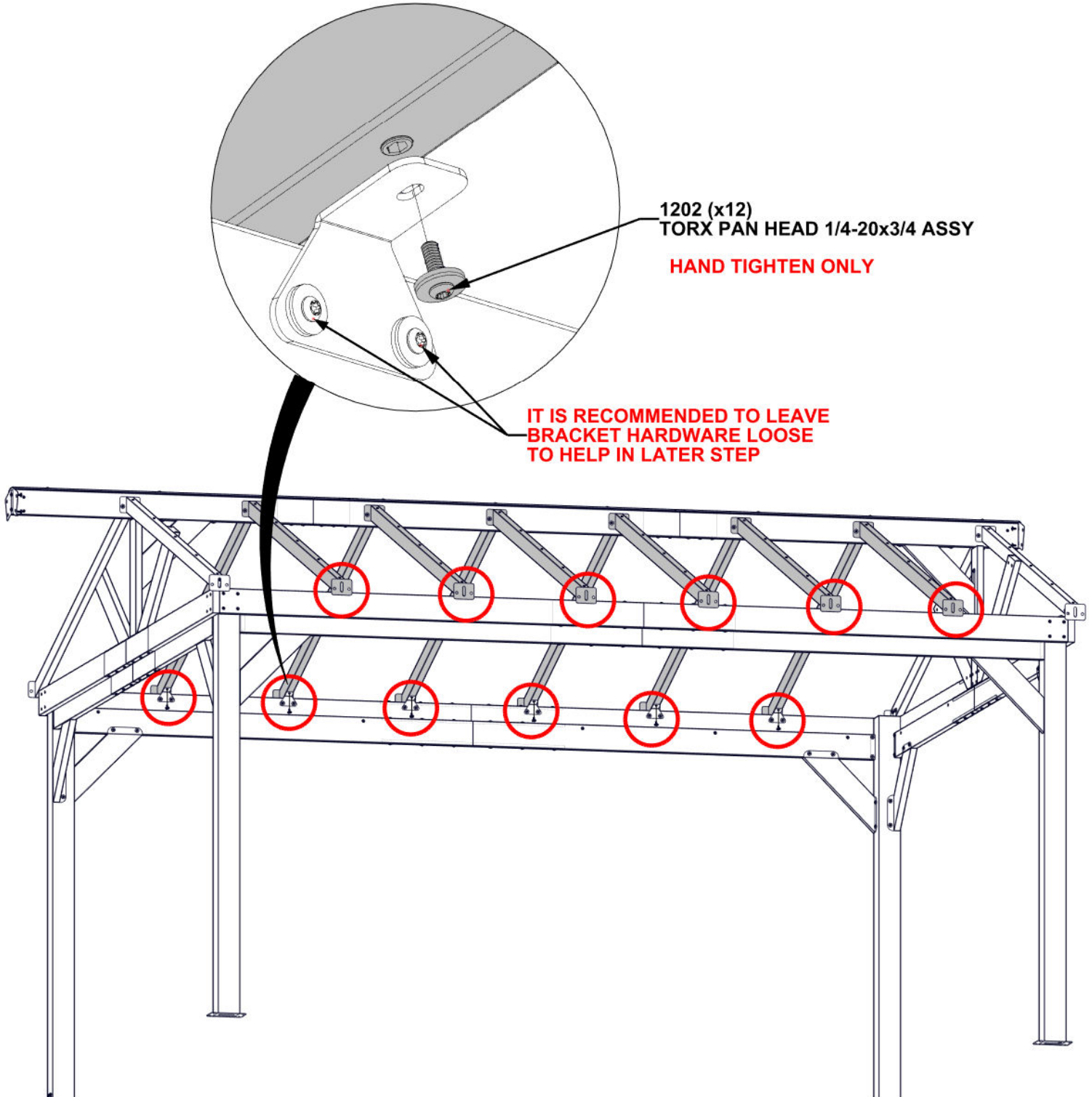
HAND TIGHTEN ONLY



STEP 30B - ROOF ASSEMBLY

Qty	PartNo	Description
12	H101202	TORX PAN HEAD 1/4-20x3/4 ASSY

- ATTACH END OF EACH RAFTER TO BRACKETS ALONG SIDE BEAMS.



STEP 31A - ROOF ASSEMBLY

Qty	PartNo	Description
12	H101202	TORX PAN HEAD 1/4-20x3/4 ASSY



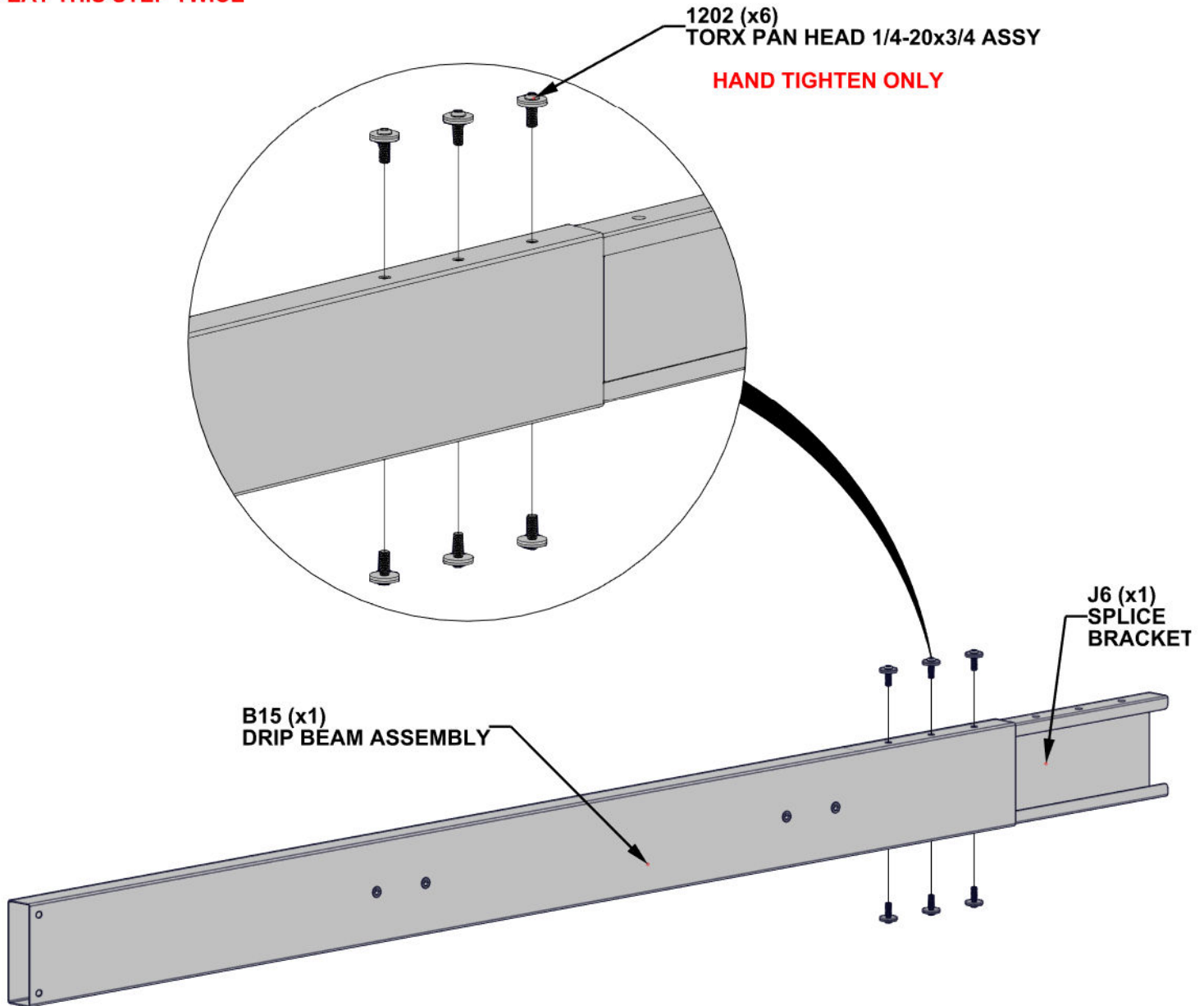
B15 DRIP BEAM ASSEMBLY - A4M04438
(x2) 1 7/16"X4 13/16"X63 7/16" (36x122x1610.66)



J6 SPLICE BRACKET - A4M03806
(x2) 19 11/16"x4 11/16"x32.5 (32.5x118.5x500)

- BEAM AND SPLICE MUST BE ORIENTED AS SHOWN BELOW. SLIDE J6 INTO B15 AND LINE UP THREE HOLES TOP AND BOTTOM

- REPEAT THIS STEP TWICE



STEP 31B - ROOF ASSEMBLY

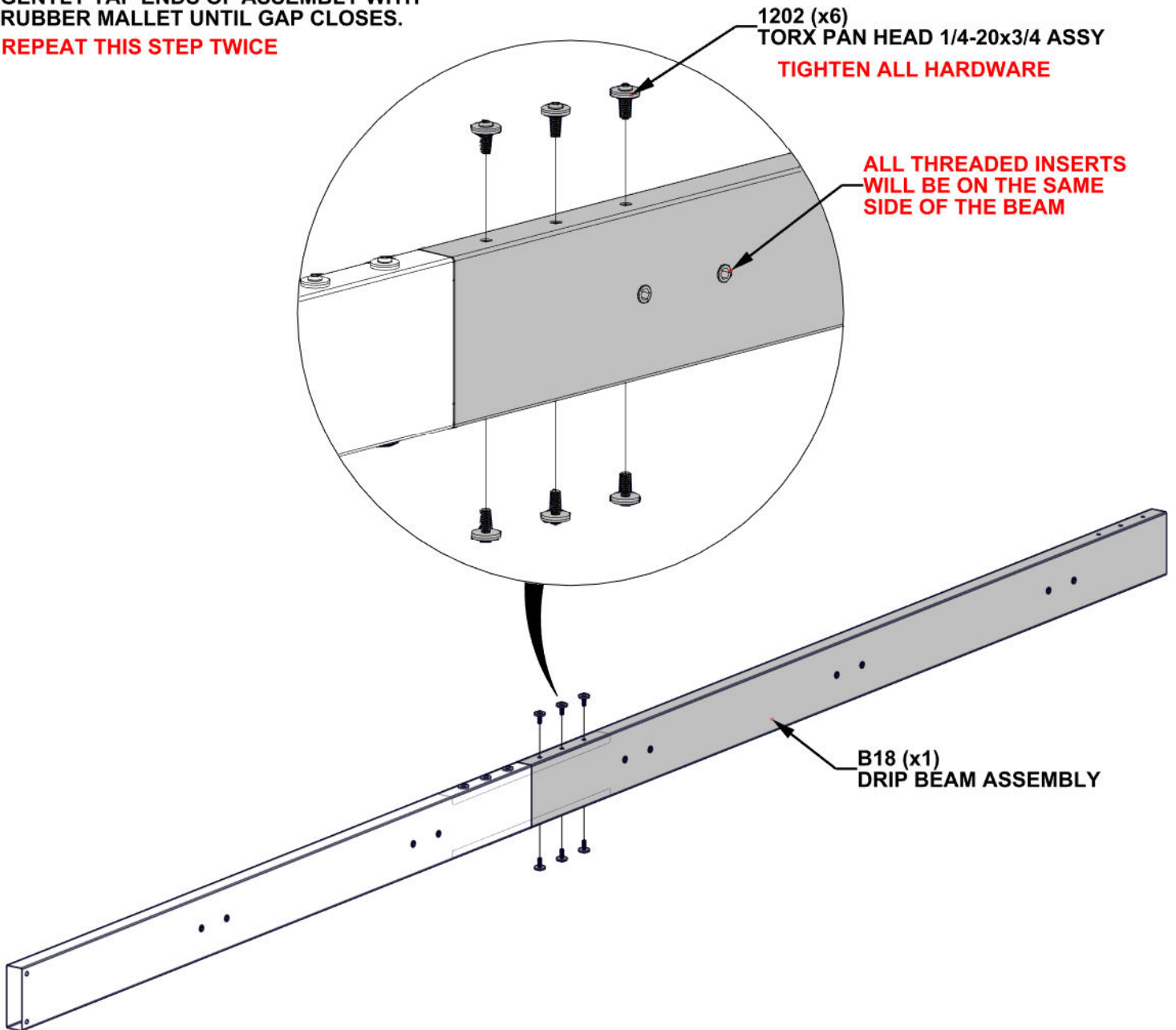
Qty	PartNo	Description
12	H101202	TORX PAN HEAD 1/4-20x3/4 ASSY



B18 DRIP BEAM ASSEMBLY - A4M04795
(x2) 1 7/16"X4 13/16"X79 1/16" (36x122x2007.74)

- SLIDE B18 ONTO SPLICE BRACKET.
GENTLY TAP ENDS OF ASSEMBLY WITH
RUBBER Mallet UNTIL GAP CLOSES.

- REPEAT THIS STEP TWICE



STEP 31C - ROOF ASSEMBLY

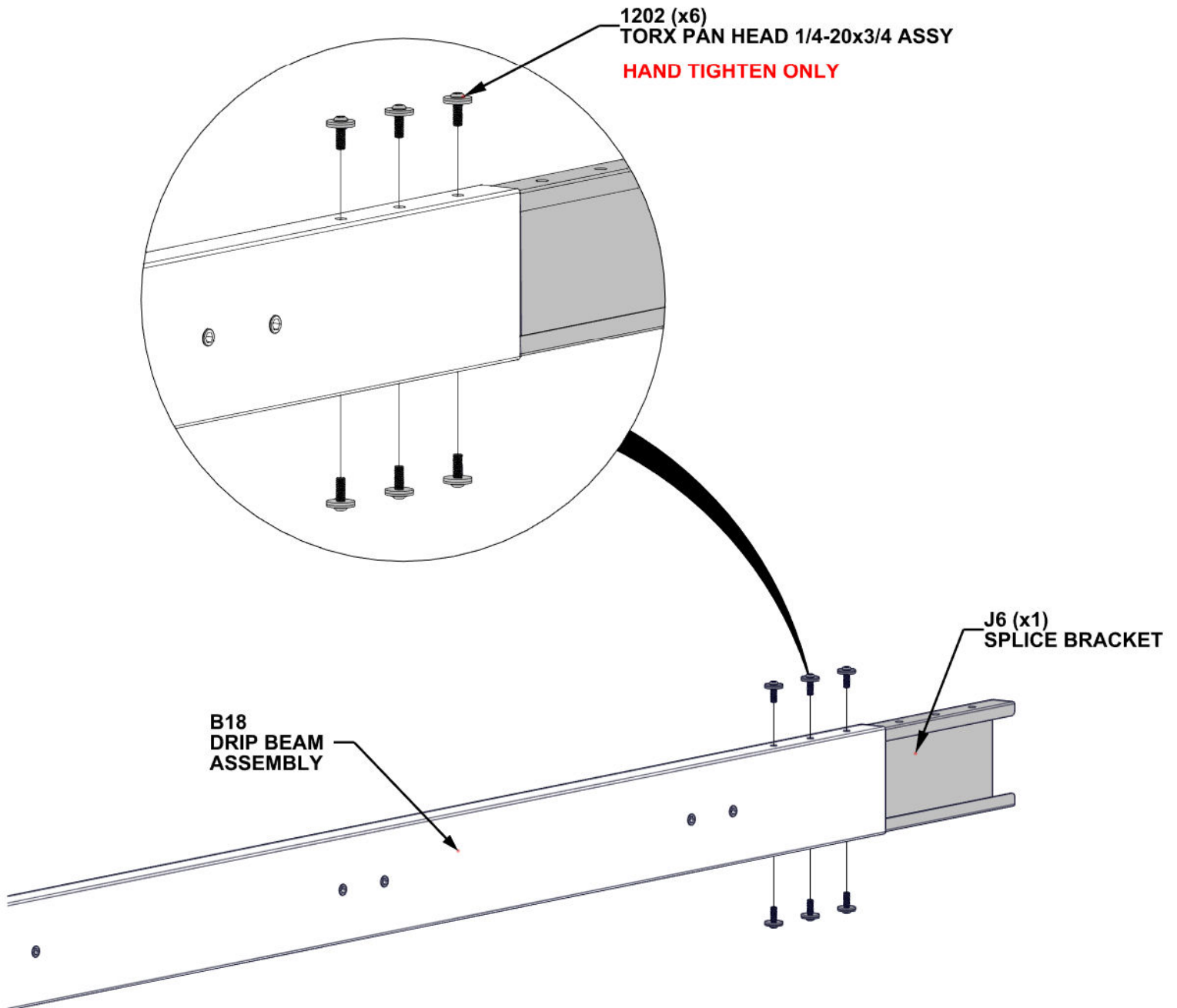
Qty	PartNo	Description
12	H101202	TORX PAN HEAD 1/4-20x3/4 ASSY



J6 SPLICE BRACKET - A4M03806
(x2) 19 11/16"x4 11/16"x32.5 (32.5x118.5x500)

- SLIDE J6 INTO B18 AND LINE UP THREE HOLES TOP AND BOTTOM.

- REPEAT THIS STEP TWICE



STEP 31D - ROOF ASSEMBLY

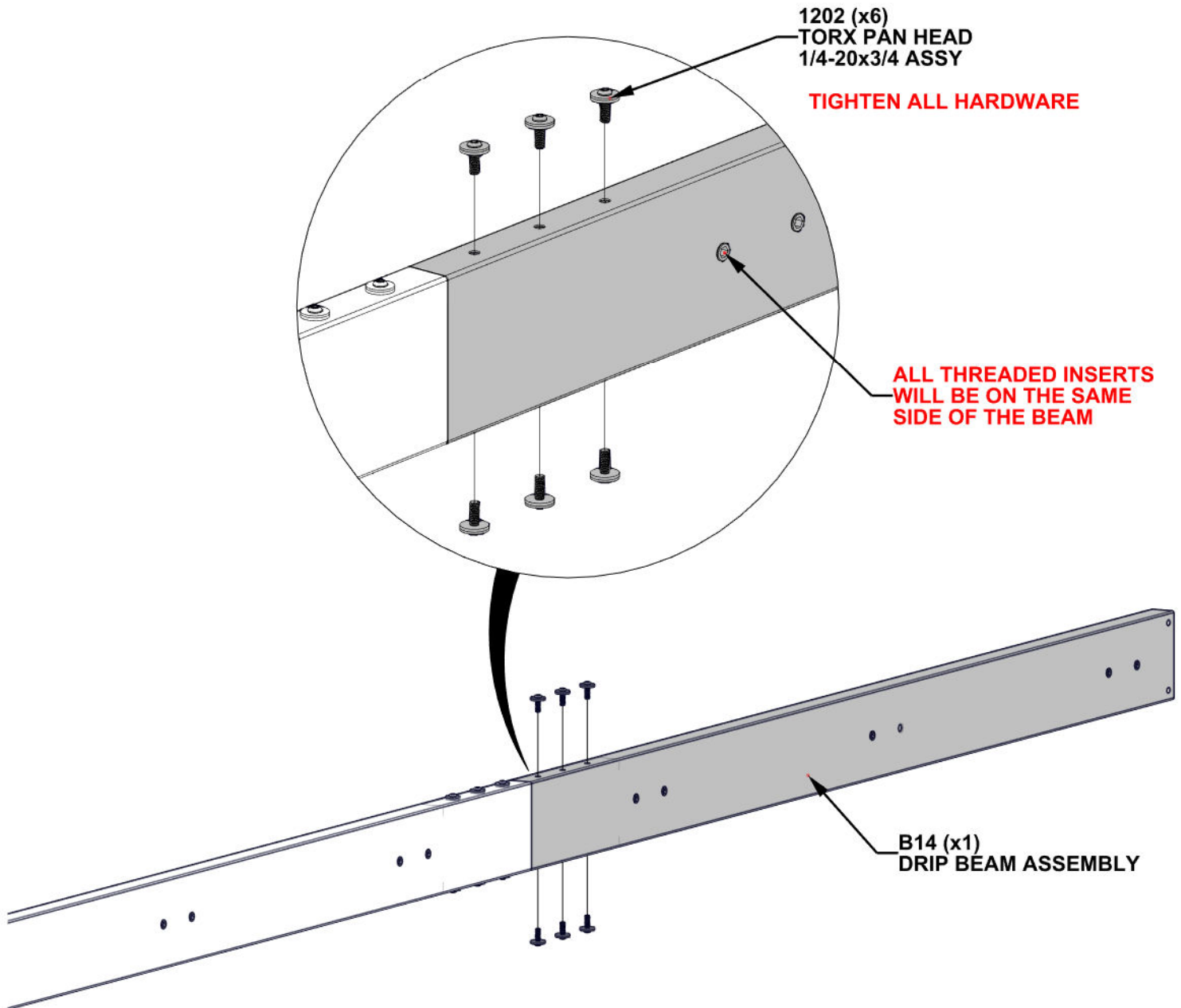
Qty	PartNo	Description
12	H101202	TORX PAN HEAD 1/4-20x3/4 ASSY



B14 DRIP BEAM ASSEMBLY - A4M04437
(x2) 1 7/16"X4 13/16"X71 5/8" (36x122x1820)

- SLIDE B14 ONTO SPLICE BRACKET.
GENTLY TAP ENDS OF ASSEMBLY WITH
RUBBER Mallet UNTIL GAP CLOSES.

- REPEAT THIS STEP TWICE



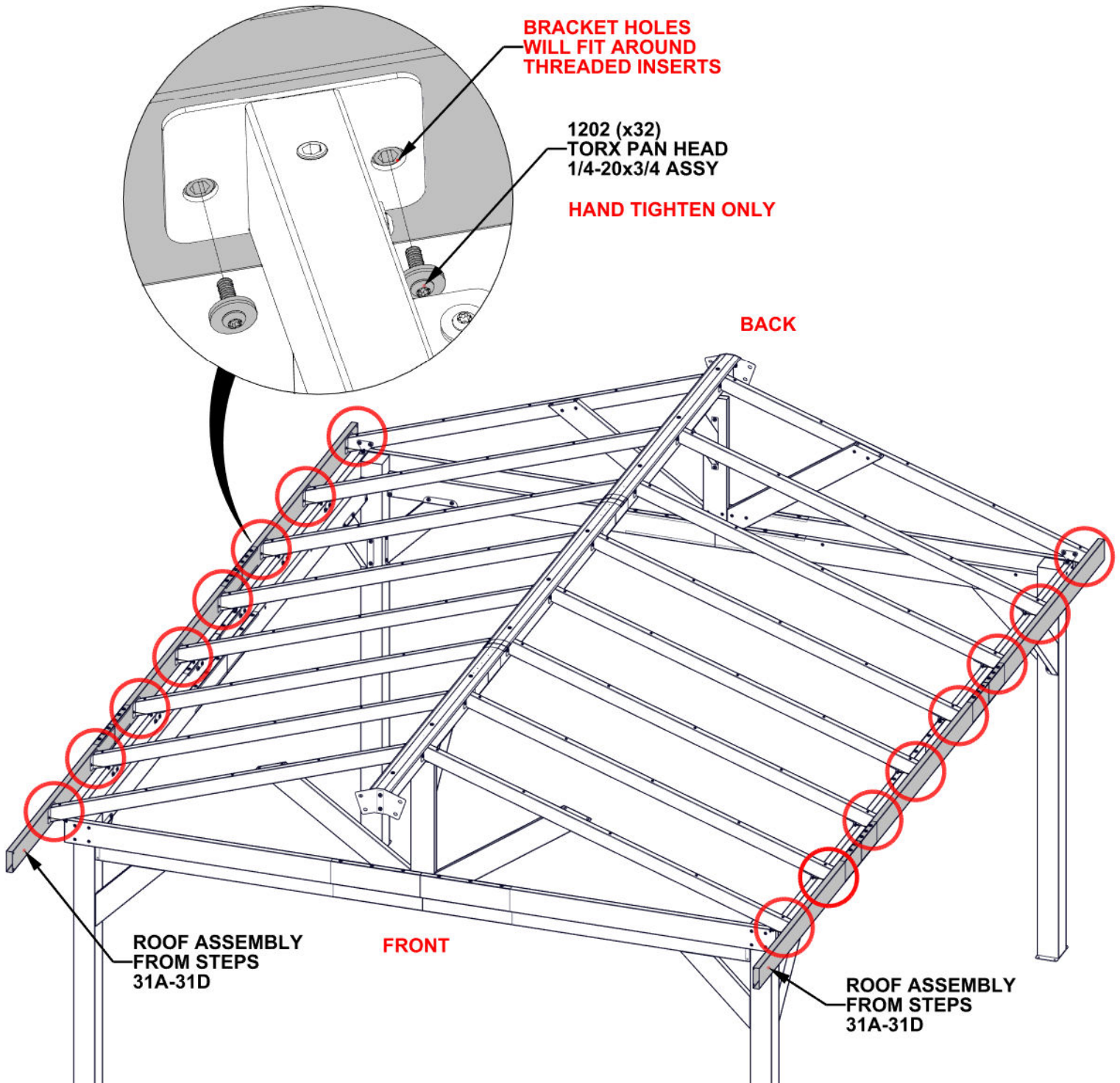
STEP 31E - ROOF ASSEMBLY

Qty	PartNo	Description
32	H101202	TORX PAN HEAD 1/4-20x3/4 ASSY



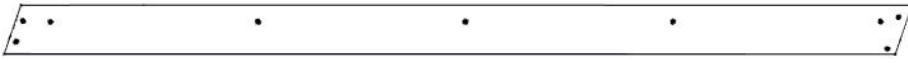
ROOF ASSEMBLY FROM STEPS 31A-31D

- WITH AT LEAST TWO ADDITIONAL PEOPLE, ATTACH BEAM ASSEMBLY TO RAFTER ENDS.
- BEAM ASSEMBLY MUST BE ORIENTED AS SHOWN BELOW WITH LONG OVERHANG TOWARD THE FRONT



STEP 32 - ROOF ASSEMBLY

Qty	PartNo	Description
4	H101202	TORX PAN HEAD 1/4-20x3/4 ASSY

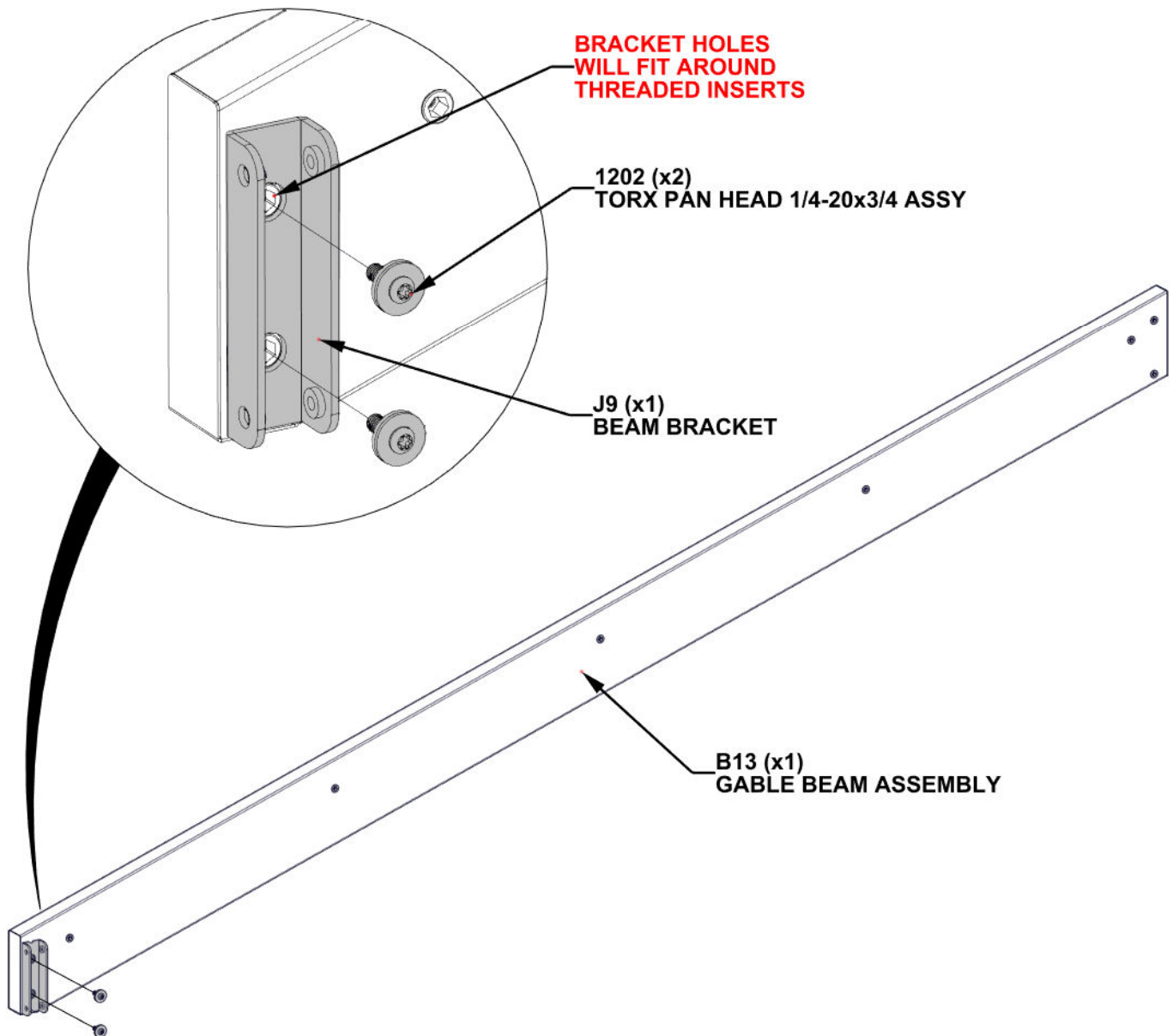


B13 GABLE BEAM ASSEMBLY - A4M03519
(x2) 88 13/16"x5 1/4"x1 7/16" (36x134x2255)



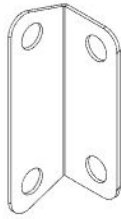
J9 BEAM BRACKET - A4M03807
(x2) 5 9/16"x1 5/16"x4 9/16" (140.57x33.20x116)

- REPEAT THIS STEP TWICE



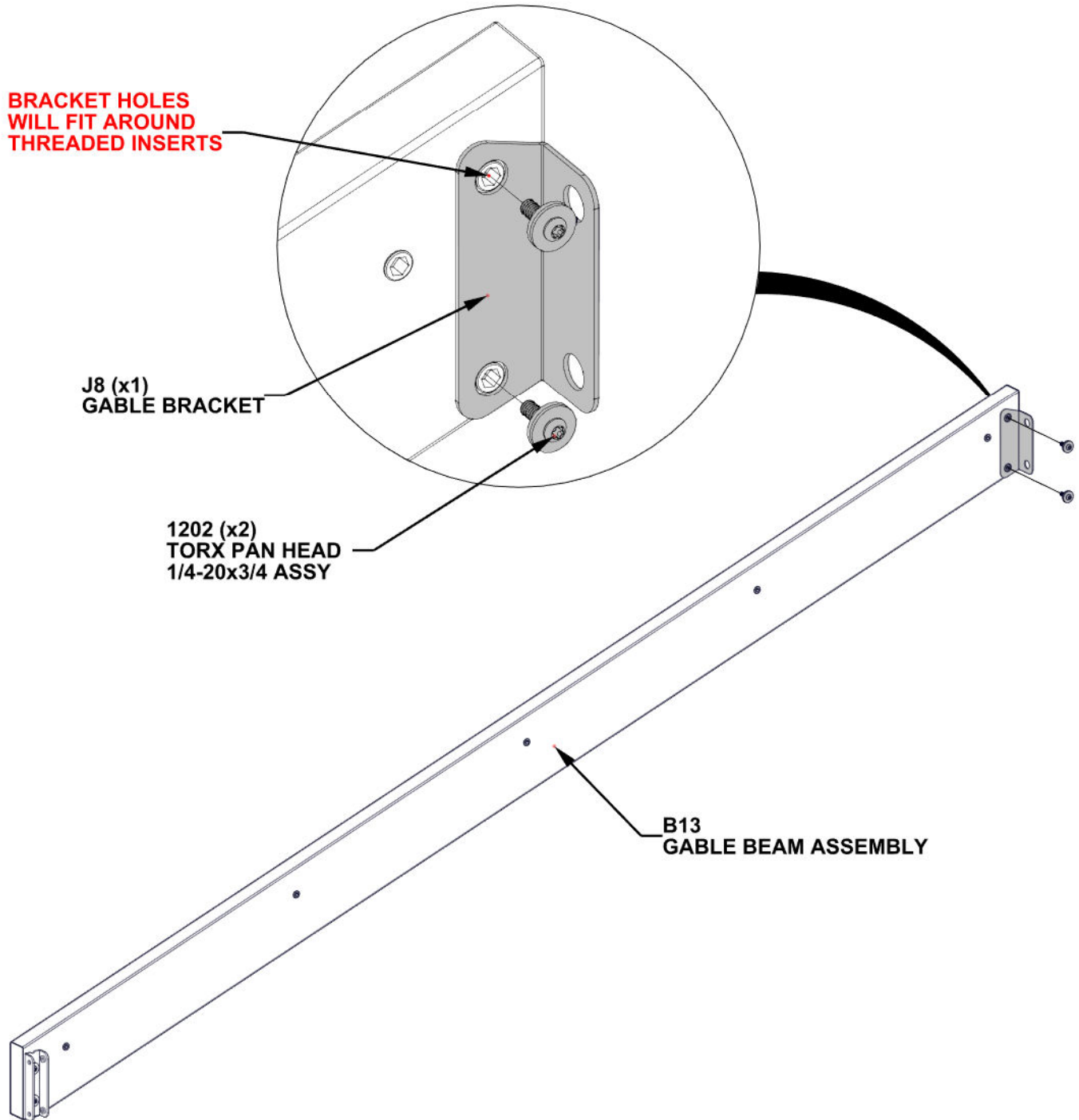
STEP 33 - ROOF ASSEMBLY

Qty	PartNo	Description
4	H101202	TORX PAN HEAD 1/4-20x3/4 ASSY



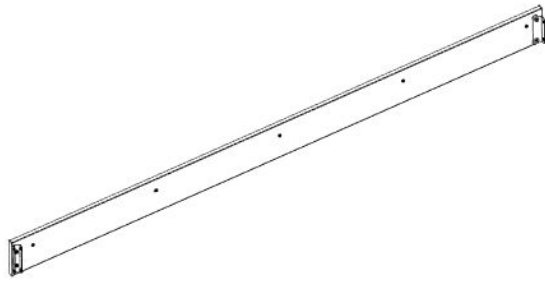
J8 GABLE BRACKET - A4M03804
(x2) 4 13/16"x1 9/16"x1 9/16" (40x40x123)

- REPEAT THIS STEP TWICE



STEP 34A - ROOF ASSEMBLY

Qty	PartNo	Description
4	H101202	TORX PAN HEAD 1/4-20x3/4 ASSY



ROOF ASSEMBLY FROM STEPS 32 - 33

- WITH AT LEAST TWO ADDITIONAL PEOPLE, ATTACH GABLE BEAM ASSEMBLY.
- REPEAT THIS STEP TWICE FOR BOTH SIDES OF STRUCTURE

BRACKET HOLES
WILL FIT AROUND
THREADED INSERTS

1202 (x4)
TORX PAN HEAD
1/4-20x3/4 ASSY

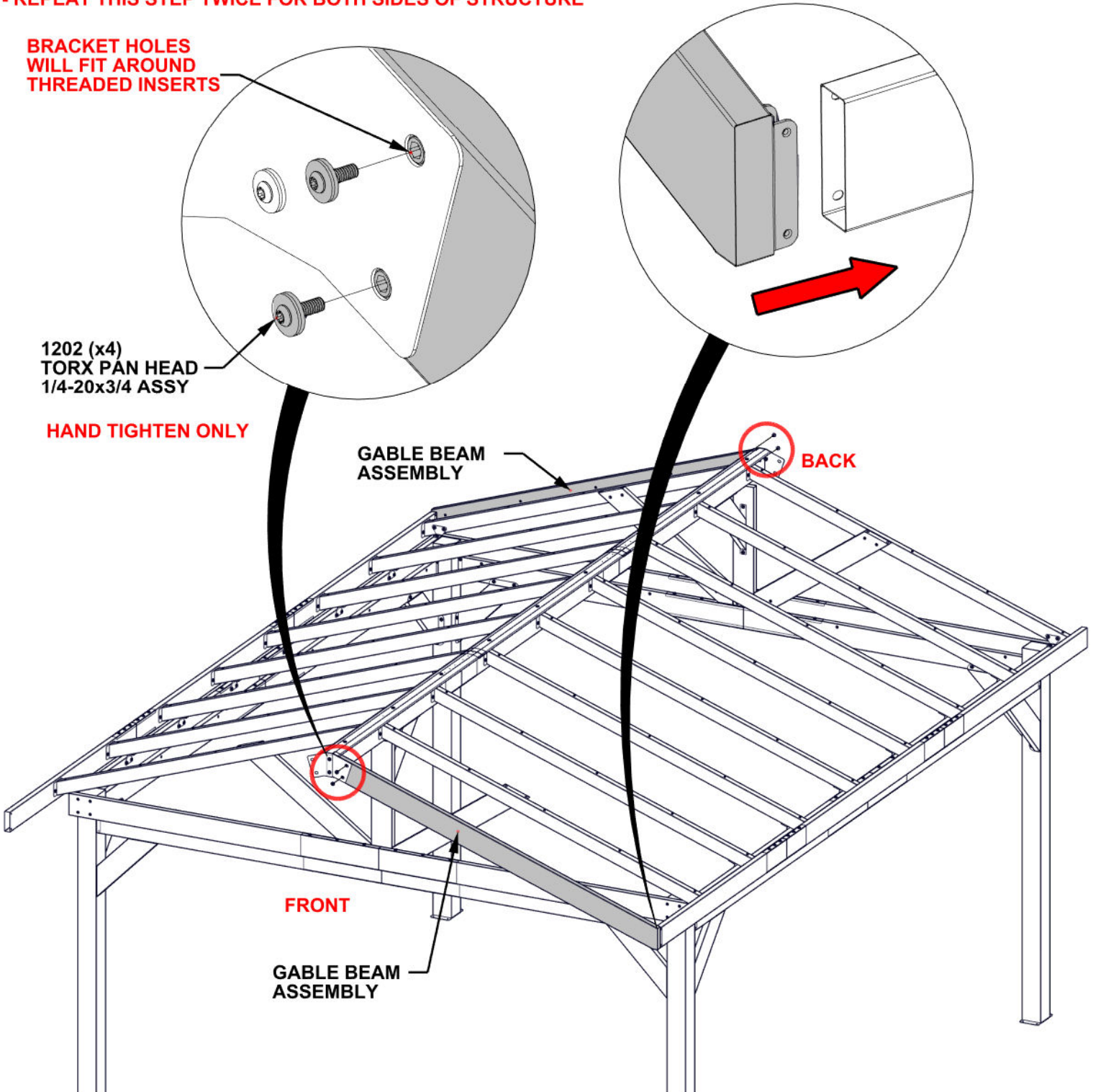
HAND TIGHTEN ONLY

GABLE BEAM
ASSEMBLY

BACK

FRONT

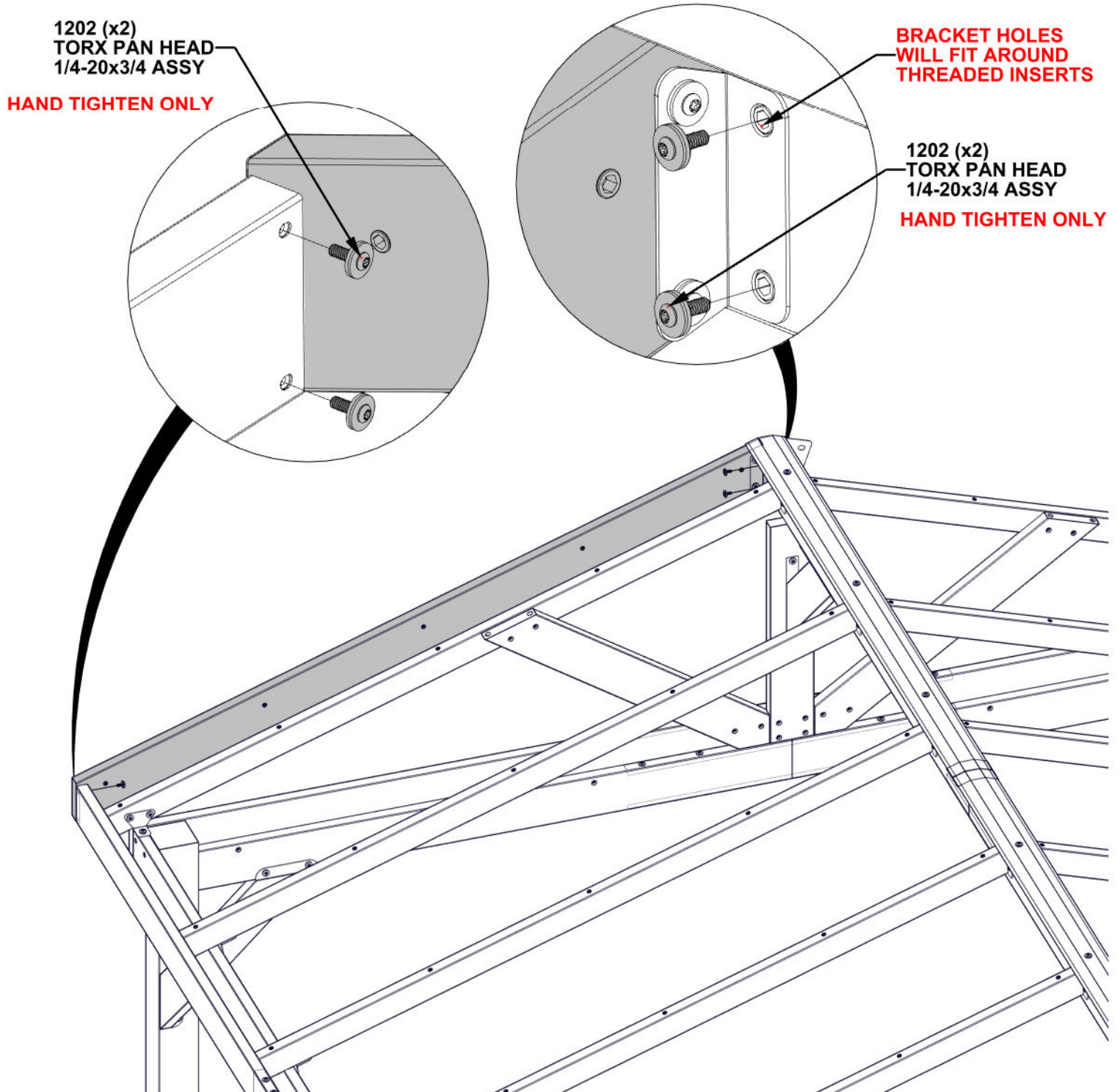
GABLE BEAM
ASSEMBLY



STEP 34B - ROOF ASSEMBLY

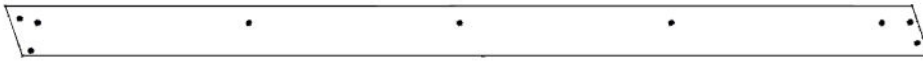
Qty	PartNo	Description
8	H101202	TORX PAN HEAD 1/4-20x3/4 ASSY

- REPEAT THIS STEP TWICE FOR BOTH SIDES OF STRUCTURE



STEP 35 - ROOF ASSEMBLY

Qty	PartNo	Description
4	H101202	TORX PAN HEAD 1/4-20x3/4 ASSY

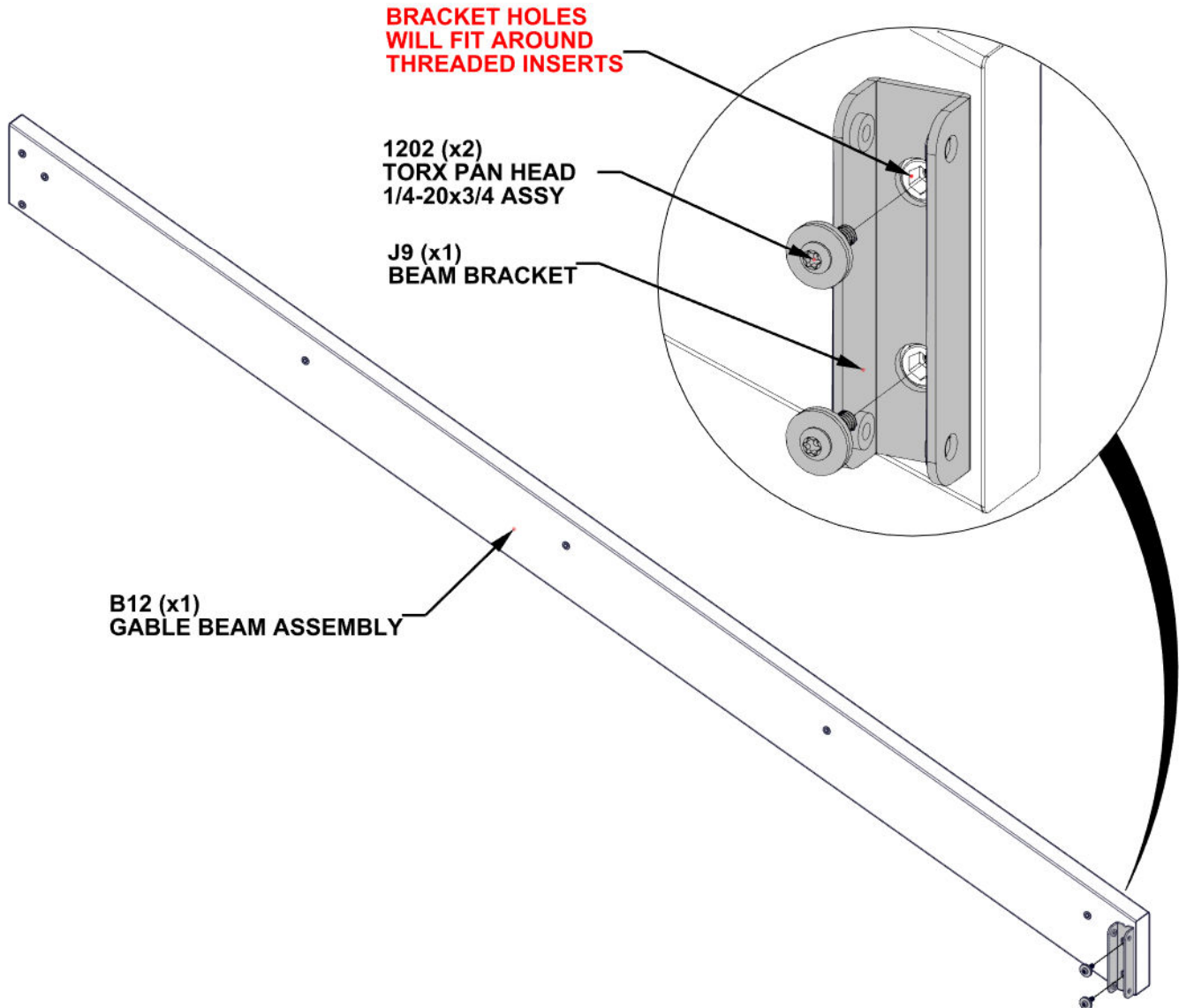


B12 GABLE BEAM ASSEMBLY - A4M03518
 (x2) 88 13/16"x5 1/4"x1 7/16" (36x134x2255)



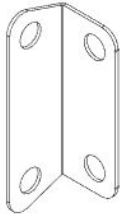
J9 BEAM BRACKET - A4M03807
 (x2) 5 9/16"x1 5/16"x4 9/16" (140.57x33.20x116)

- REPEAT THIS STEP TWICE



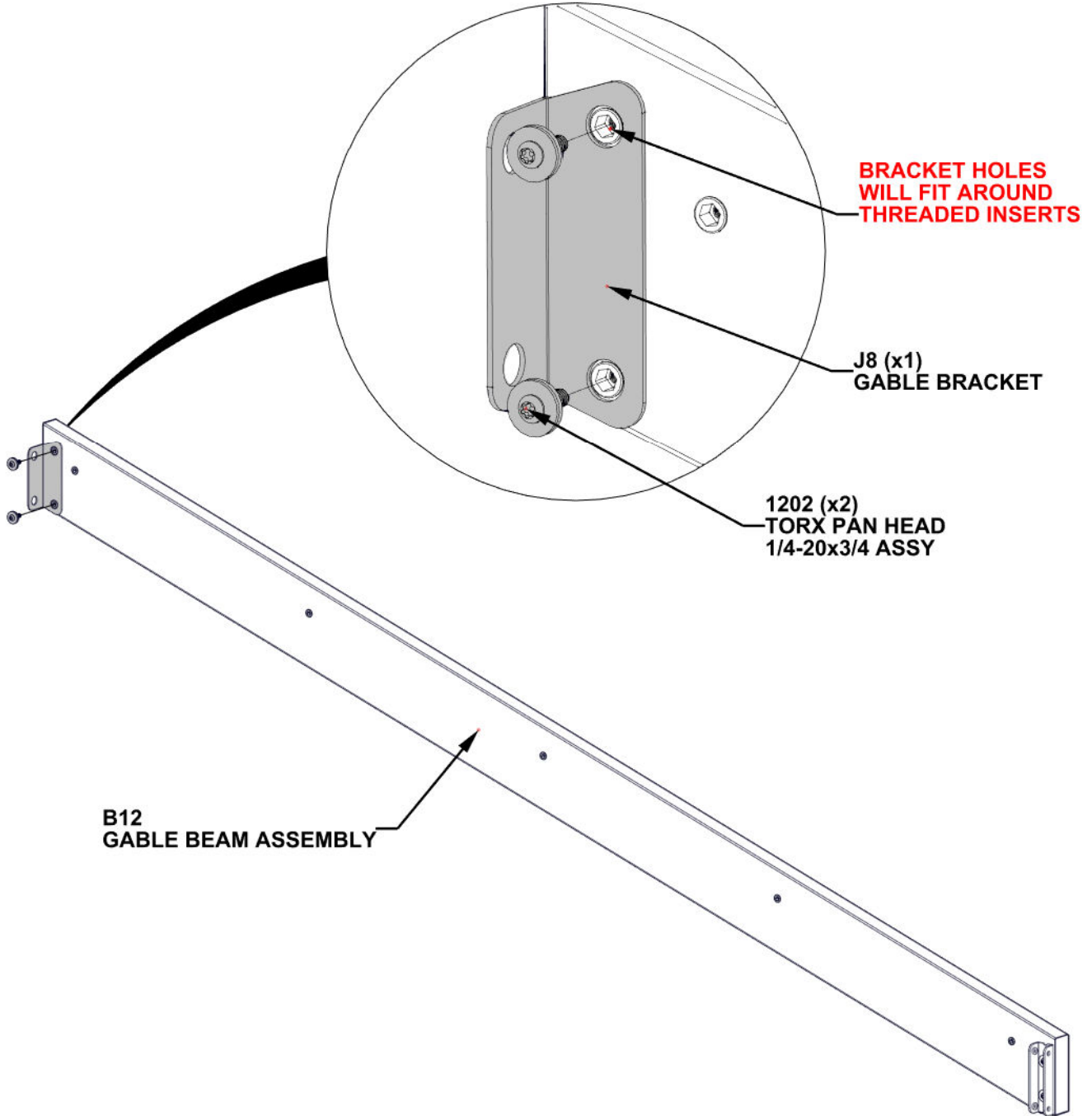
STEP 36 - ROOF ASSEMBLY

Qty	PartNo	Description
4	H101202	TORX PAN HEAD 1/4-20x3/4 ASSY



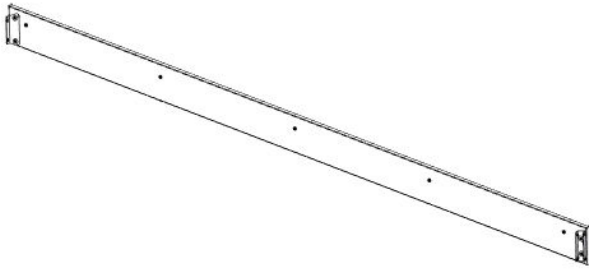
J8 GABLE BRACKET - A4M03804
(x2) 4 13/16"x1 9/16"x1 9/16" (40x40x123)

- REPEAT THIS STEP TWICE



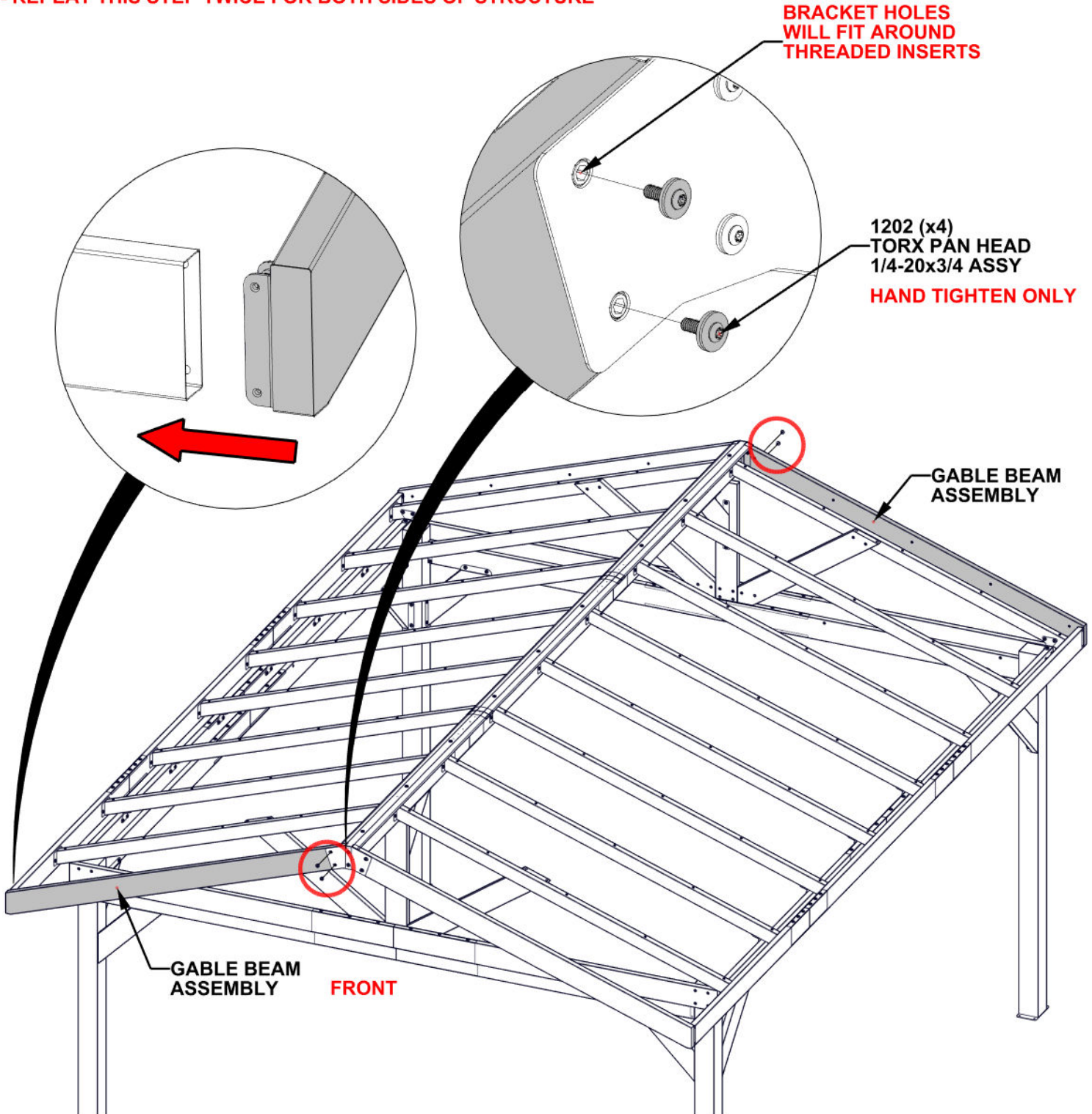
STEP 37A - ROOF ASSEMBLY

Qty	PartNo	Description
4	H101202	TORX PAN HEAD 1/4-20x3/4 ASSY



ROOF ASSEMBLY FROM STEPS 35 - 36

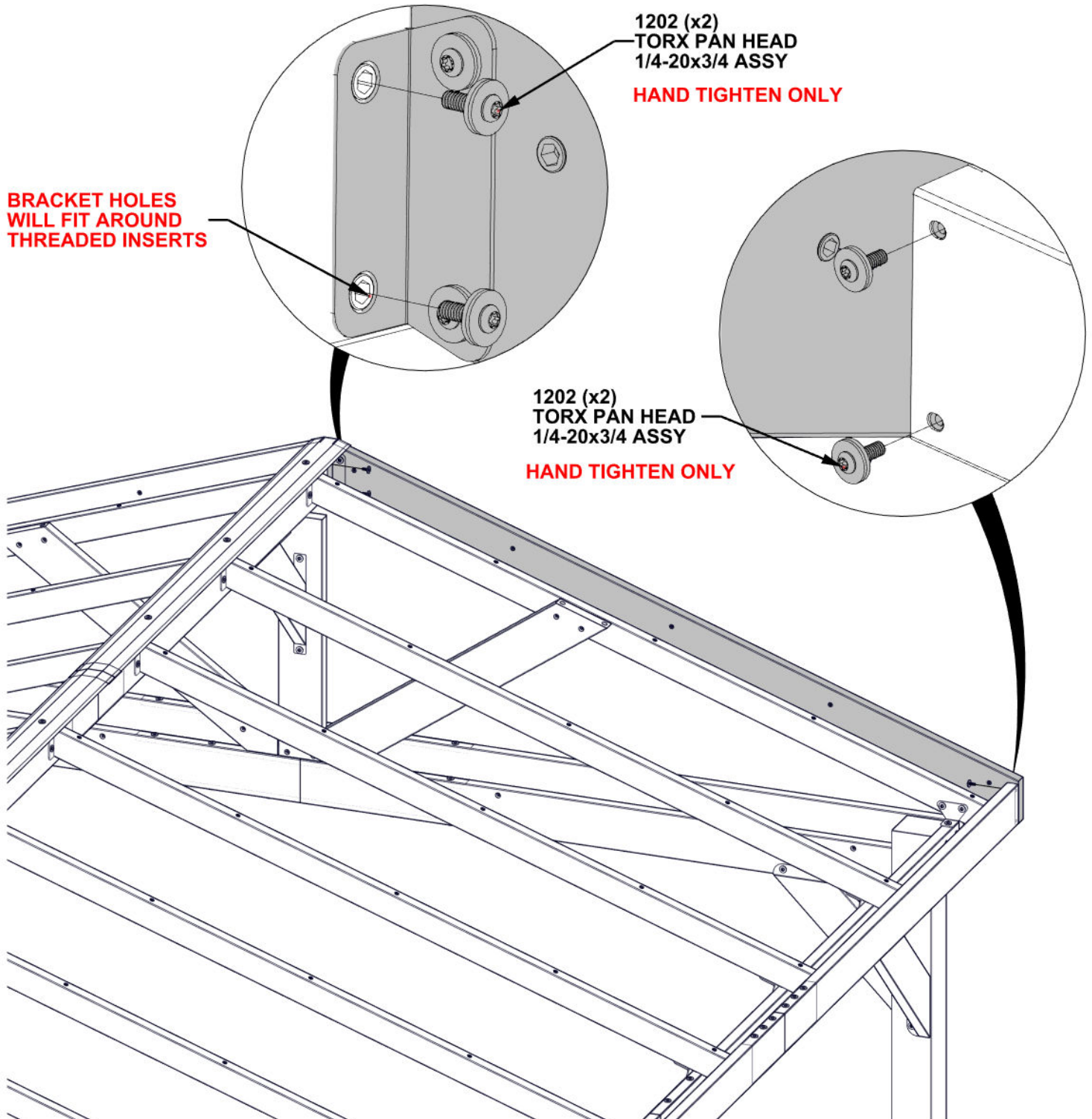
- WITH AT LEAST TWO ADDITIONAL PEOPLE, ATTACH GABLE BEAM ASSEMBLY.
- REPEAT THIS STEP TWICE FOR BOTH SIDES OF STRUCTURE



STEP 37B - ROOF ASSEMBLY

Qty	PartNo	Description
8	H101202	TORX PAN HEAD 1/4-20x3/4 ASSY

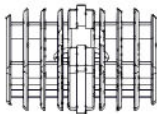
- REPEAT THIS STEP TWICE FOR BOTH SIDES OF STRUCTURE.



STEP 38A - PURLIN ASSEMBLY

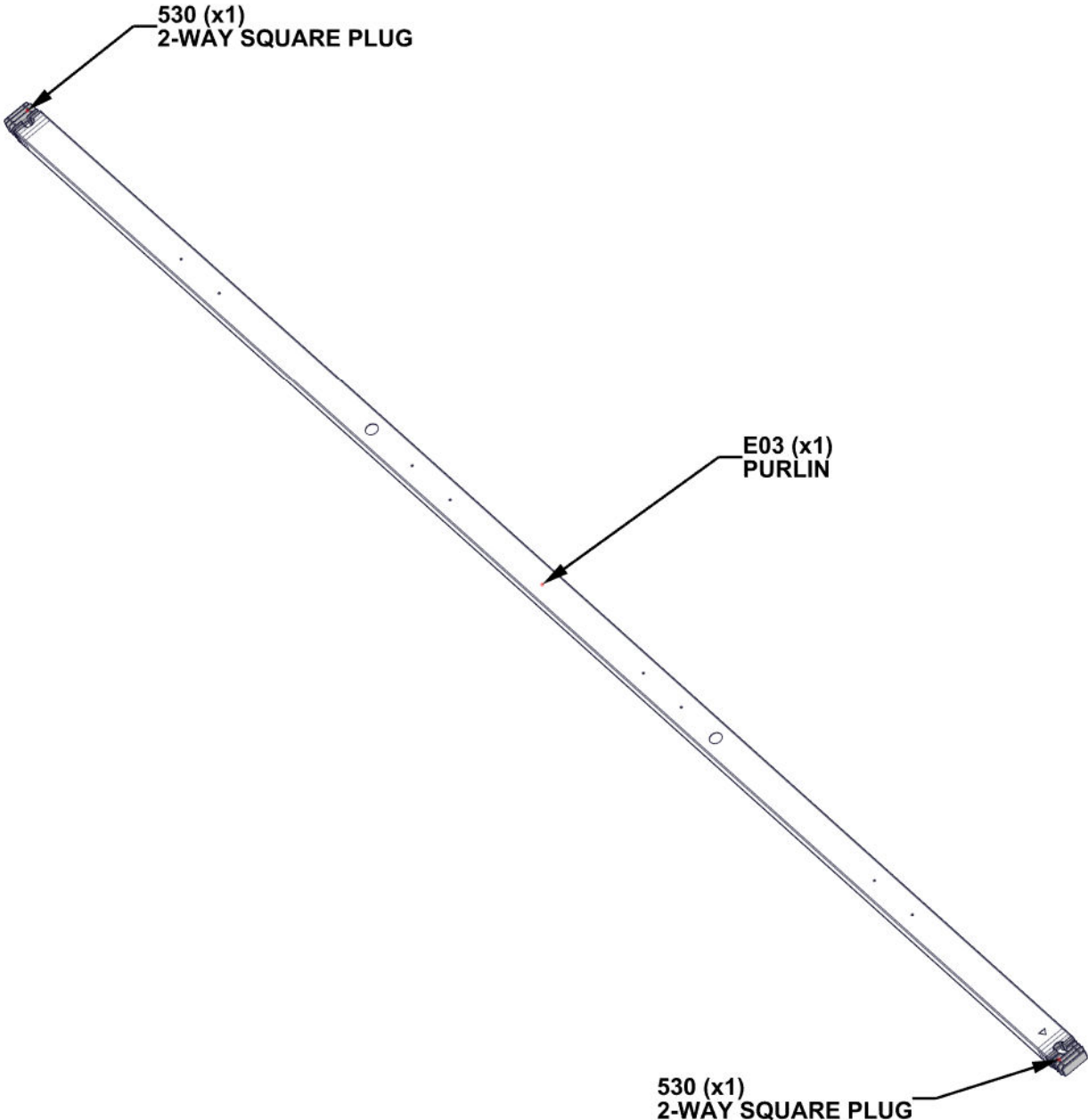


E03 PURLIN - A4M04911
(x10) 79"x1 9/16"x13/16" (20x40x2006.53)



A6P00530 2-WAY SQUARE PLUG
(x20)

- ATTACH 2-WAY PLUG (530) TO ENDS OF E03 PURLIN.
- USE A RUBBER MALLET TO TAP 2-WAY SQUARE PLUG INTO END OF PURLIN.
- REPEAT THIS STEP 10 TIMES.



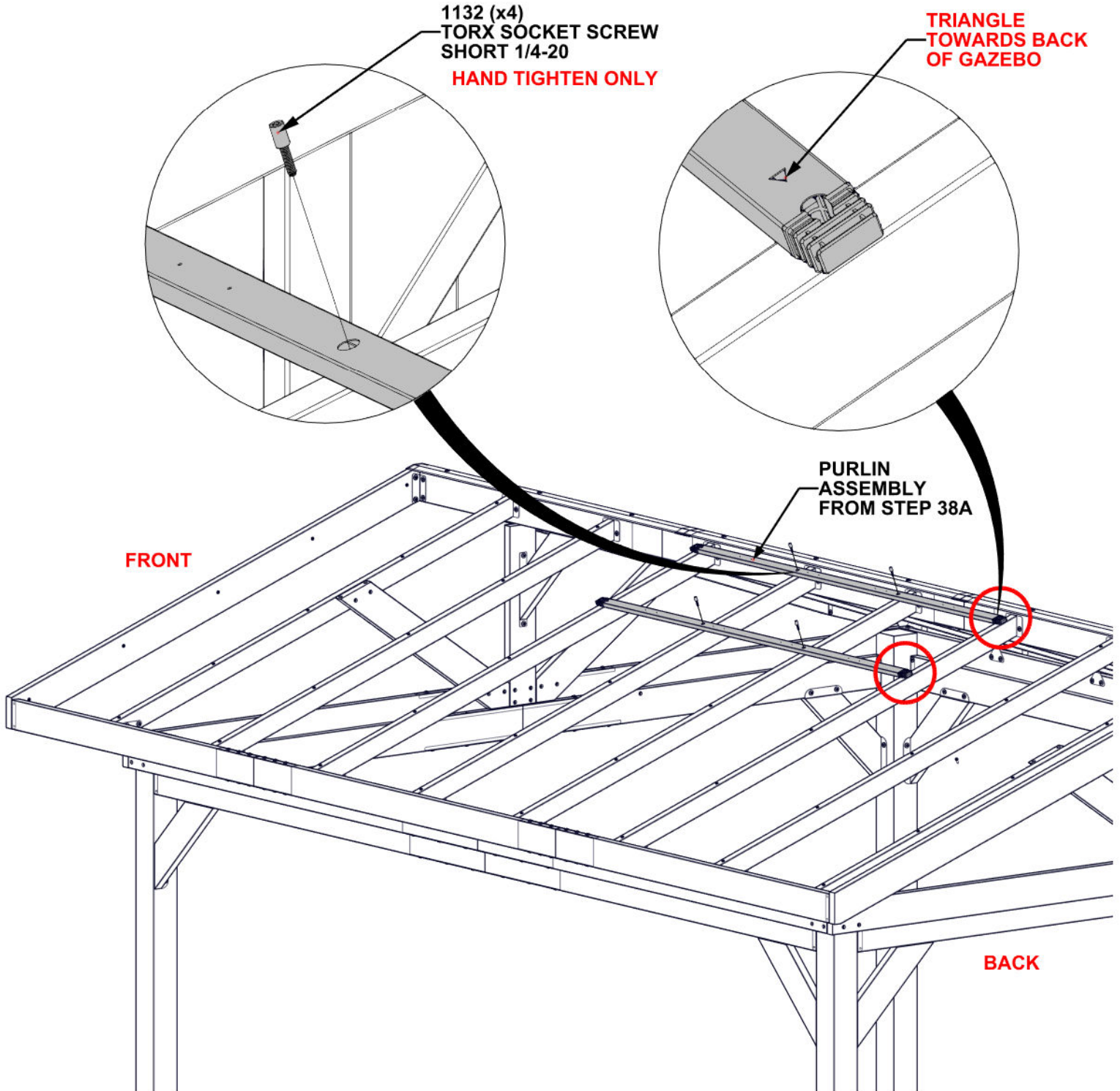
STEP 38B - ROOF ASSEMBLY

Qty	PartNo	Description
4	H101132	TORX SOCKET SCREW SHORT 1/4-20



PURLIN ASSEMBLY FROM STEP 38A
(x2)

- WITH ONE EXTRA PERSON, ATTACH TWO PURLIN ASSEMBLIES FROM 38A.
- STARTING AT THE RIDGE AND WORKING DOWN WILL MAKE IT EASIER TO INSTALL PURLIN ASSEMBLIES.



STEP 38C - ROOF ASSEMBLY

Qty	PartNo	Description
12	H101132	TORX SOCKET SCREW SHORT 1/4-20

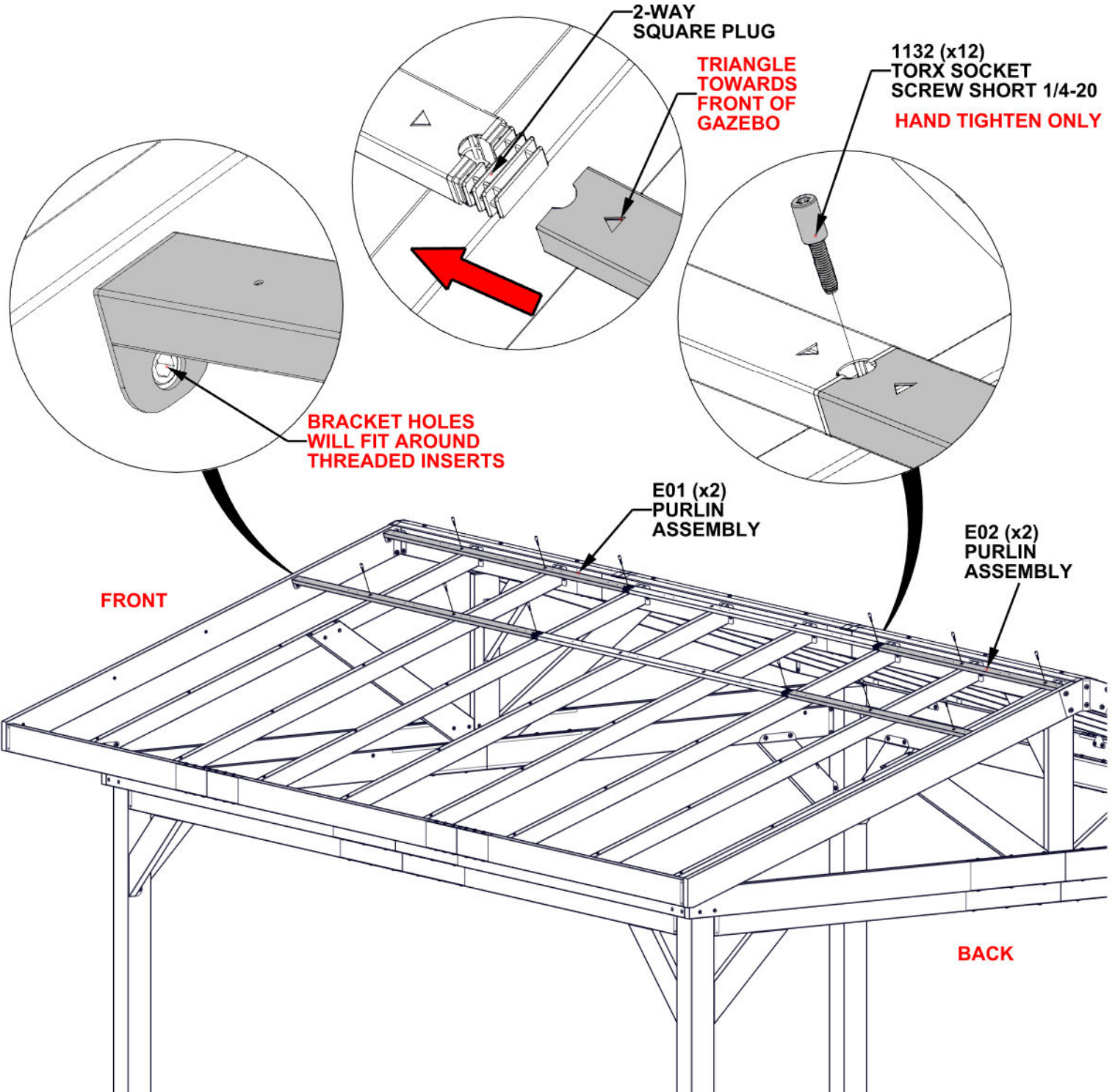


E01 PURLIN ASSEMBLY - A4M04439
 (x4) 1 9/16"X1 15/16"X76 1/2" (40x50x1942.69)



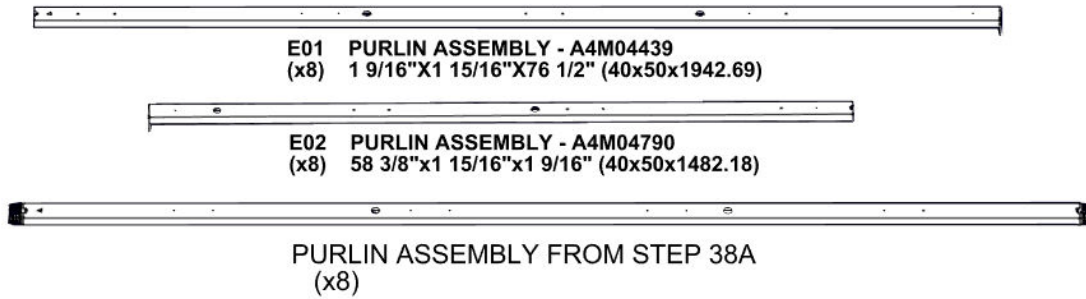
E02 PURLIN ASSEMBLY - A4M04790
 (x4) 58 3/8"x1 15/16"x1 9/16" (40x50x1482.18)

- WITH ONE EXTRA PERSON, ATTACH E01 AND E02 PURLINS TO THE 2-WAY PLUGS.
- STARTING AT THE RIDGE AND WORKING DOWN WILL MAKE IT EASIER TO INSTALL PURLIN ASSEMBLIES.

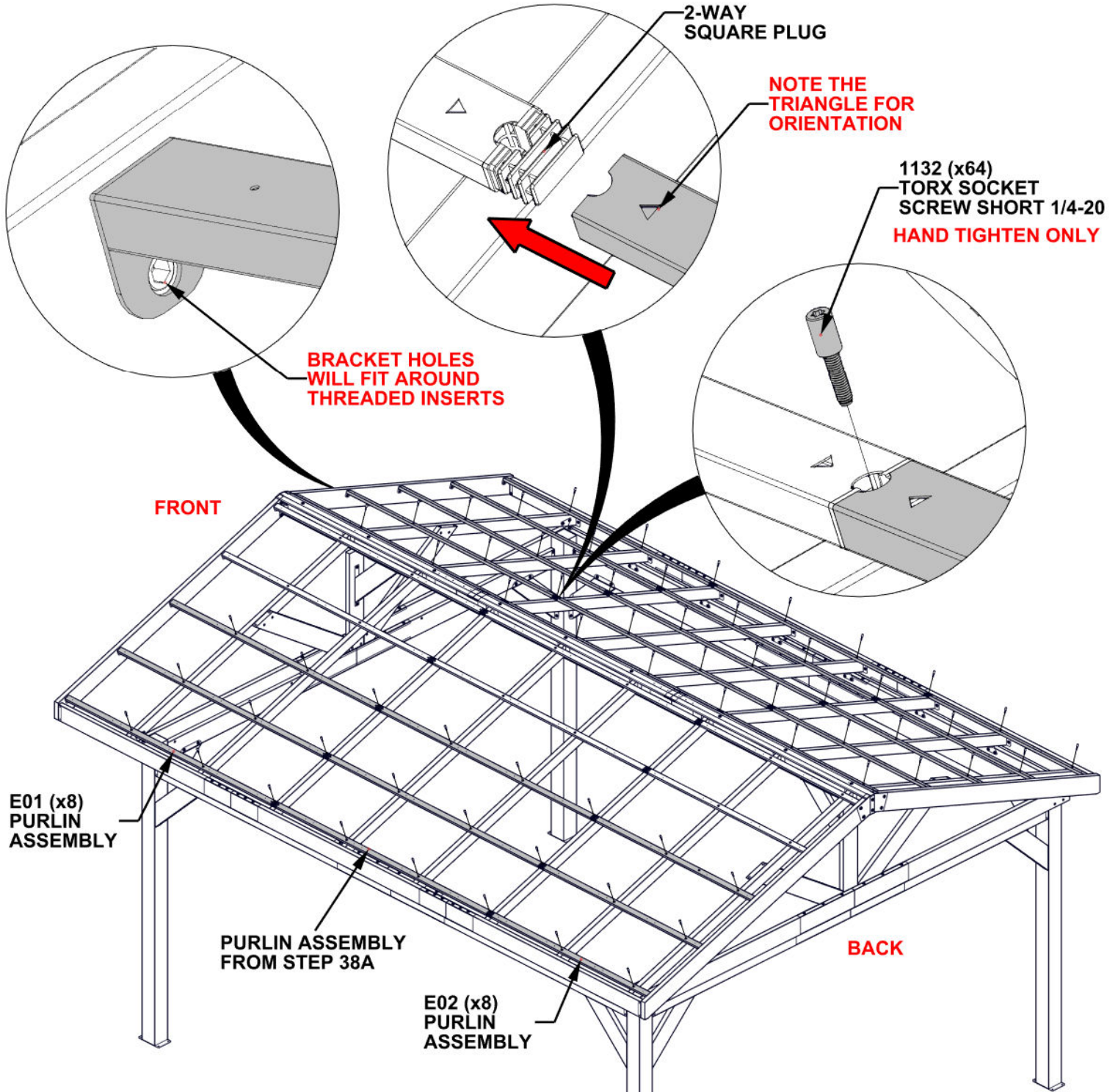


STEP 38D - ROOF ASSEMBLY

Qty	PartNo	Description
64	H101132	TORX SOCKET SCREW SHORT 1/4-20



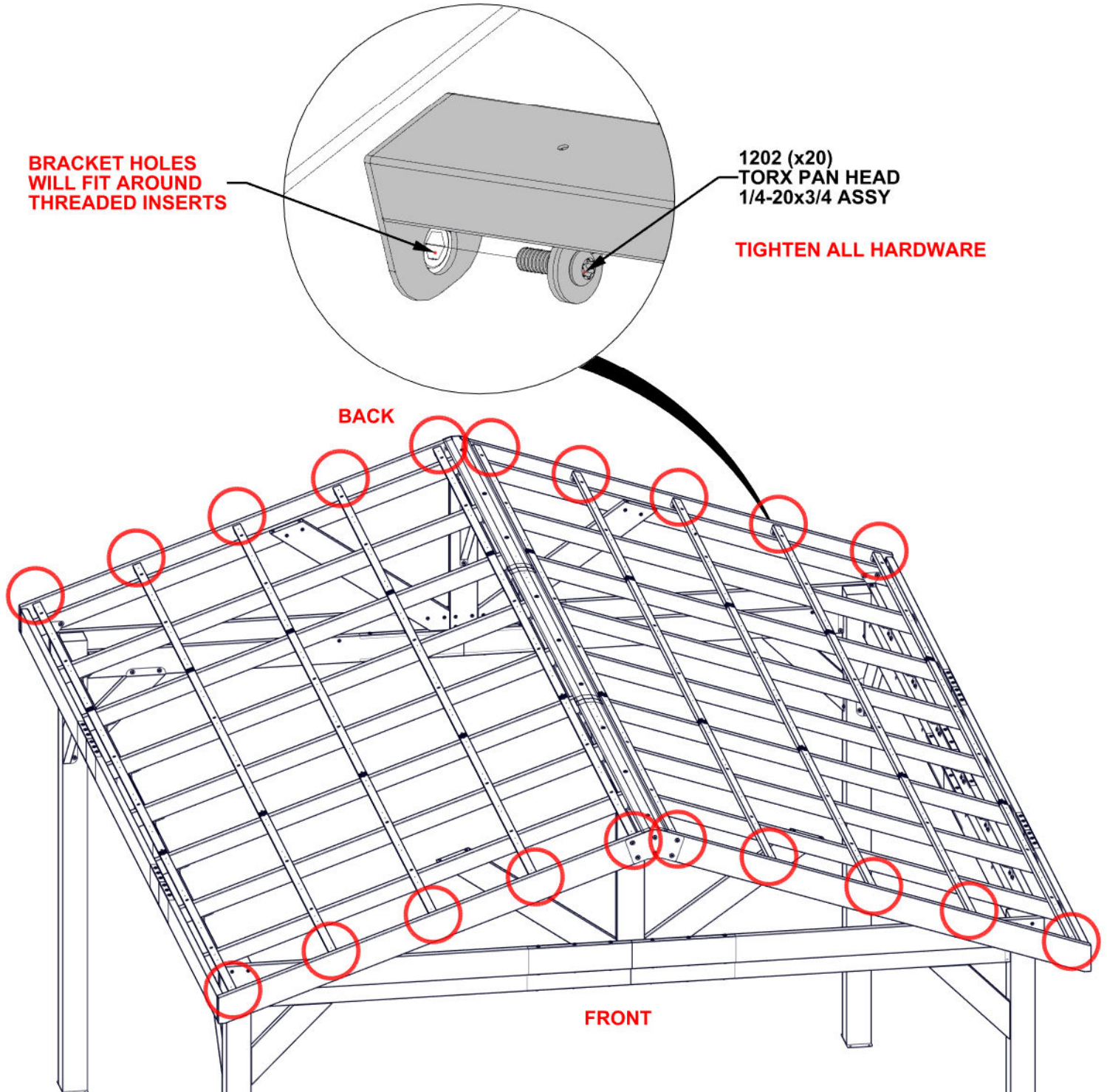
- WITH ONE EXTRA PERSON, ATTACH REMAINDER PURLINS IN THE SAME WAY AS PREVIOUS TWO STEPS .
- STARTING AT THE RIDGE AND WORKING DOWN WILL MAKE IT EASIER TO INSTALL PURLIN ASSEMBLIES.



STEP 38E - ROOF ASSEMBLY

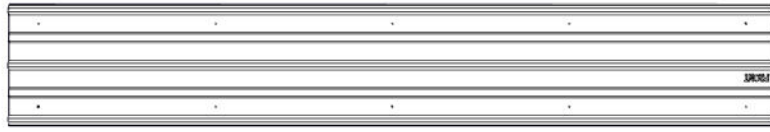
Qty	PartNo	Description
20	H101202	TORX PAN HEAD 1/4-20x3/4 ASSY

- ONCE PURLINS HAVE BEEN INSTALLED,
TIGHTEN ALL HARDWARE FROM PREVIOUS STEPS.



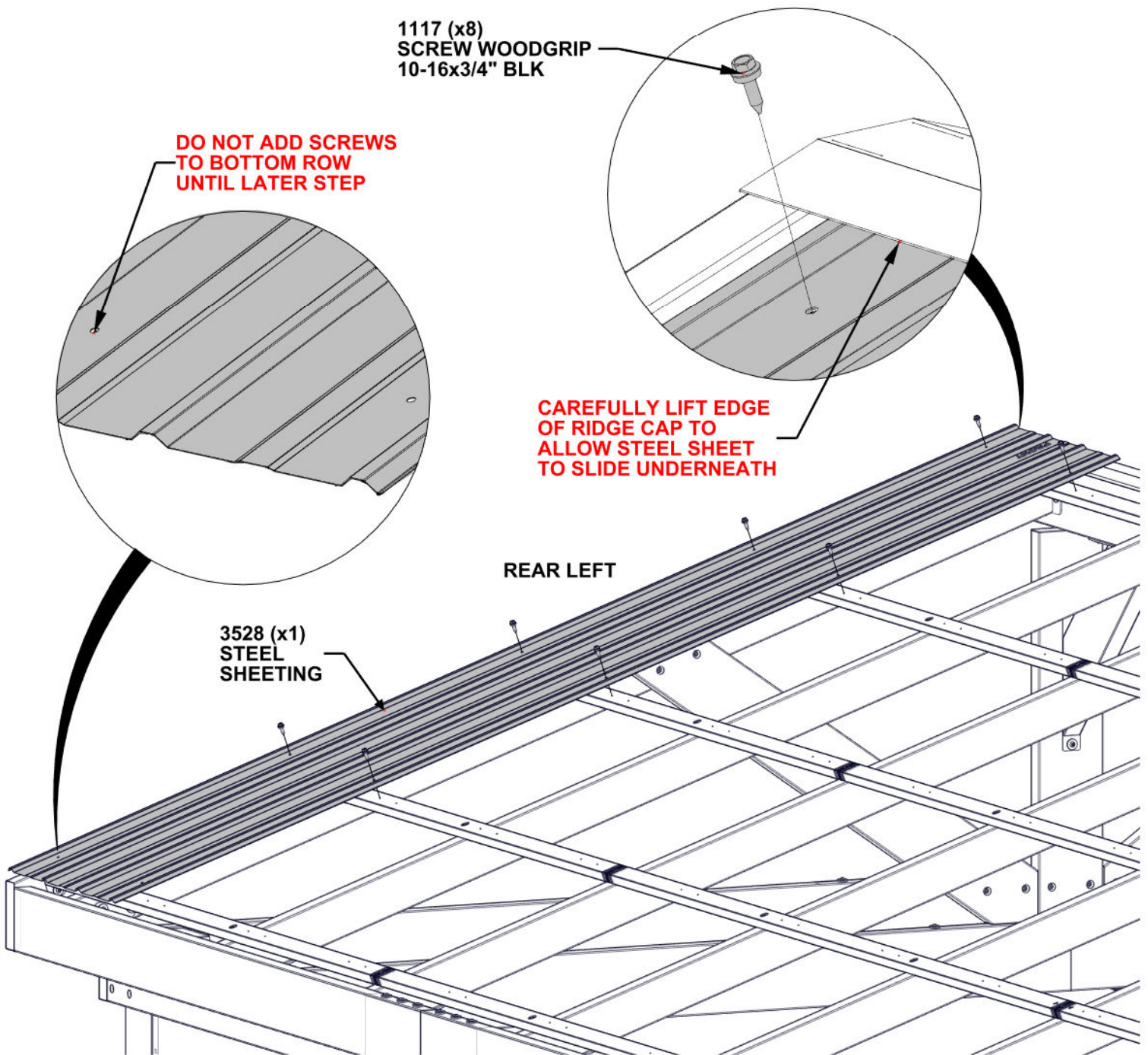
STEP 39 - ROOF ASSEMBLY

Qty	PartNo	Description
8	H101117	SCREW WOODGRIP 10-16x3/4" BLK



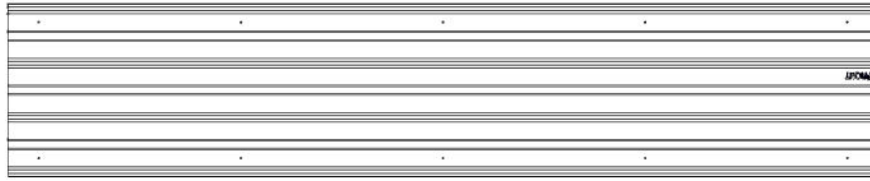
A4M03528 STEEL SHEETING
(x1)

- **WARNING: GLOVES ARE RECOMMENDED WHEN HANDLING STEEL ROOF PIECES.**
- REMOVE PROTECTIVE FILM.
- SLIDE ROOF SHEET UP, MAKING SURE IT SLIDES UNDERNEATH THE RIDGE CAP.
- STARTING AT THE LEFT SIDE AND WORKING TO THE RIGHT, LINE UP THE HOLES IN THE ROOF SHEET WITH THE PILOT HOLES IN THE PURLINS.



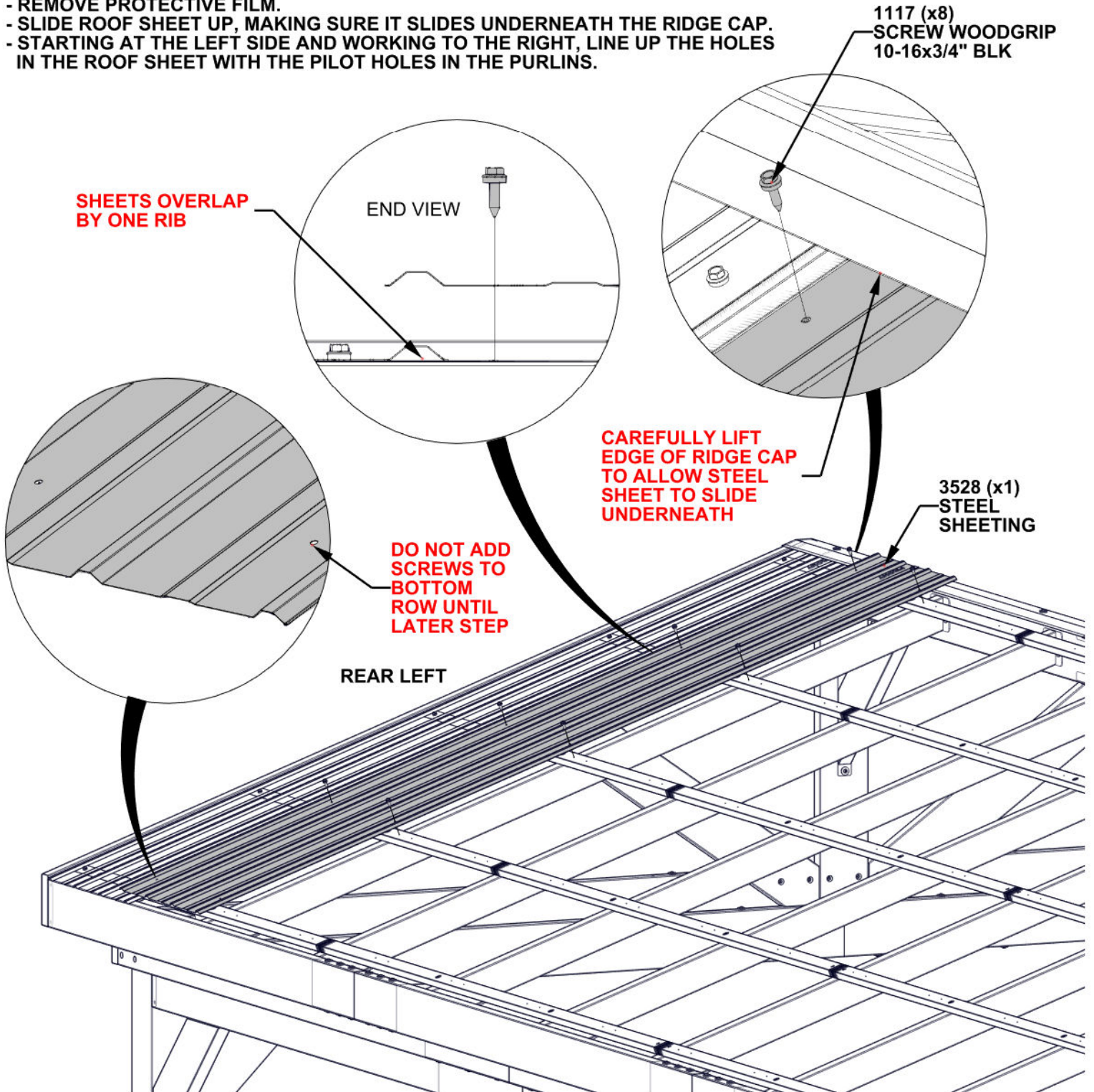
STEP 40 - ROOF ASSEMBLY

Qty	PartNo	Description
8	H101117	SCREW WOODGRIP 10-16x3/4" BLK



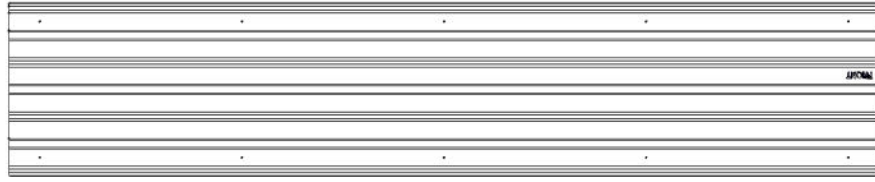
A4M03528 STEEL SHEETING
(x1)

- **WARNING: GLOVES ARE RECOMMENDED WHEN HANDLING STEEL ROOF PIECES.**
- REMOVE PROTECTIVE FILM.
- SLIDE ROOF SHEET UP, MAKING SURE IT SLIDES UNDERNEATH THE RIDGE CAP.
- STARTING AT THE LEFT SIDE AND WORKING TO THE RIGHT, LINE UP THE HOLES IN THE ROOF SHEET WITH THE PILOT HOLES IN THE PURLINS.



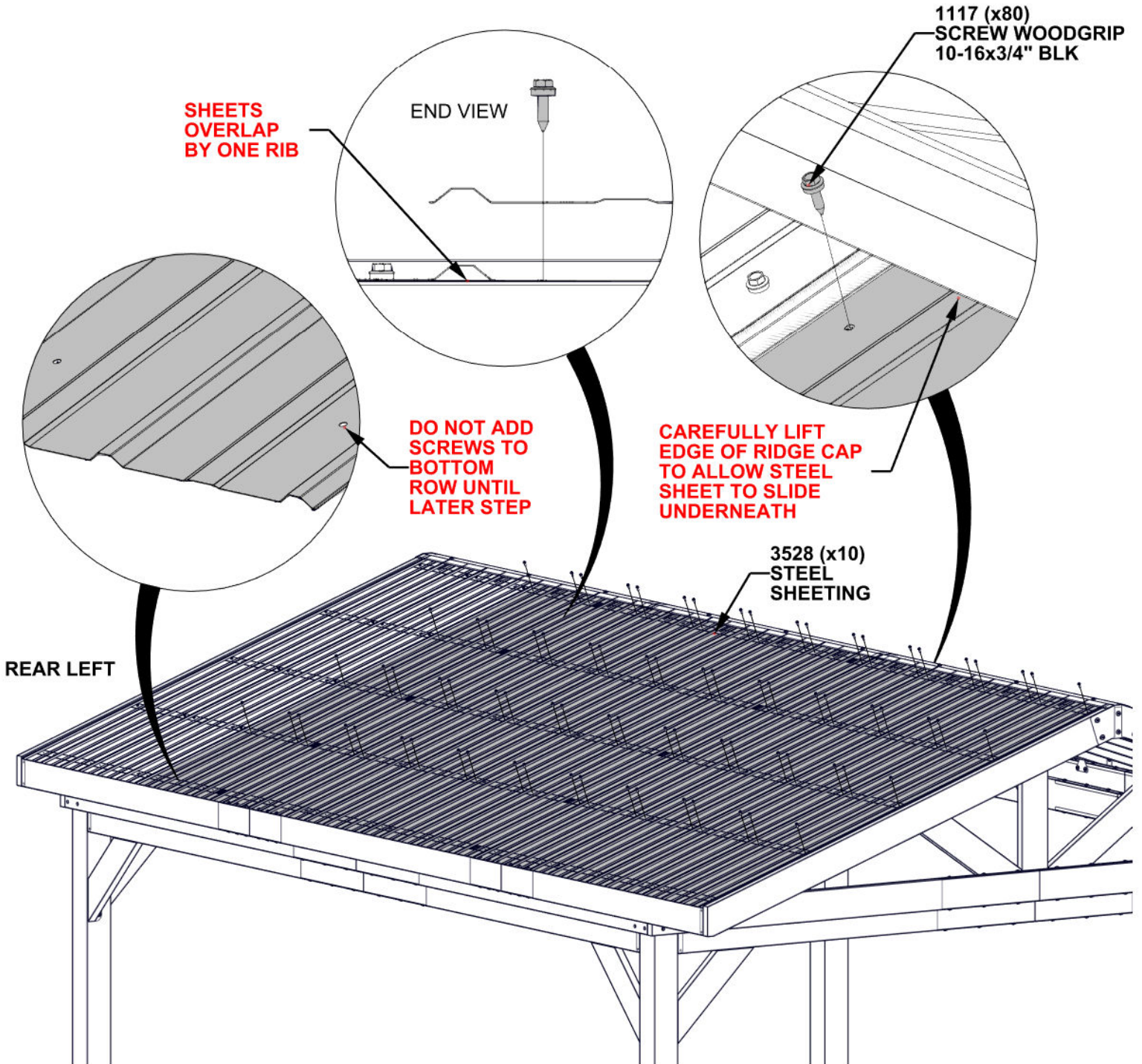
STEP 41 - ROOF ASSEMBLY

Qty	PartNo	Description
80	H101117	SCREW WOODGRIP 10-16x3/4" BLK



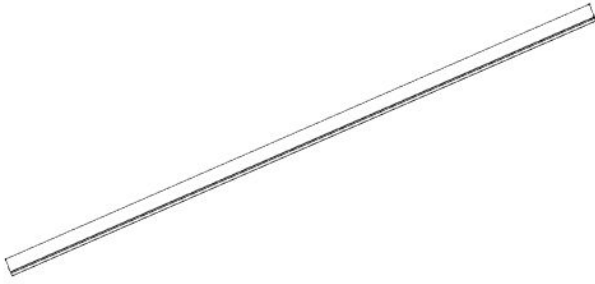
A4M03528 STEEL SHEETING
(x10)

- **WARNING: GLOVES ARE RECOMMENDED WHEN HANDLING STEEL ROOF PIECES.**
- REMOVE PROTECTIVE FILM.
- REPEAT PREVIOUS STEP FOR REMAINDER OF LEFT SIDE.
- ATTACH AND FULLY TIGHTEN ALL SCREWS ON EACH ROOF SHEET BEFORE ATTACHING THE NEXT ONE.



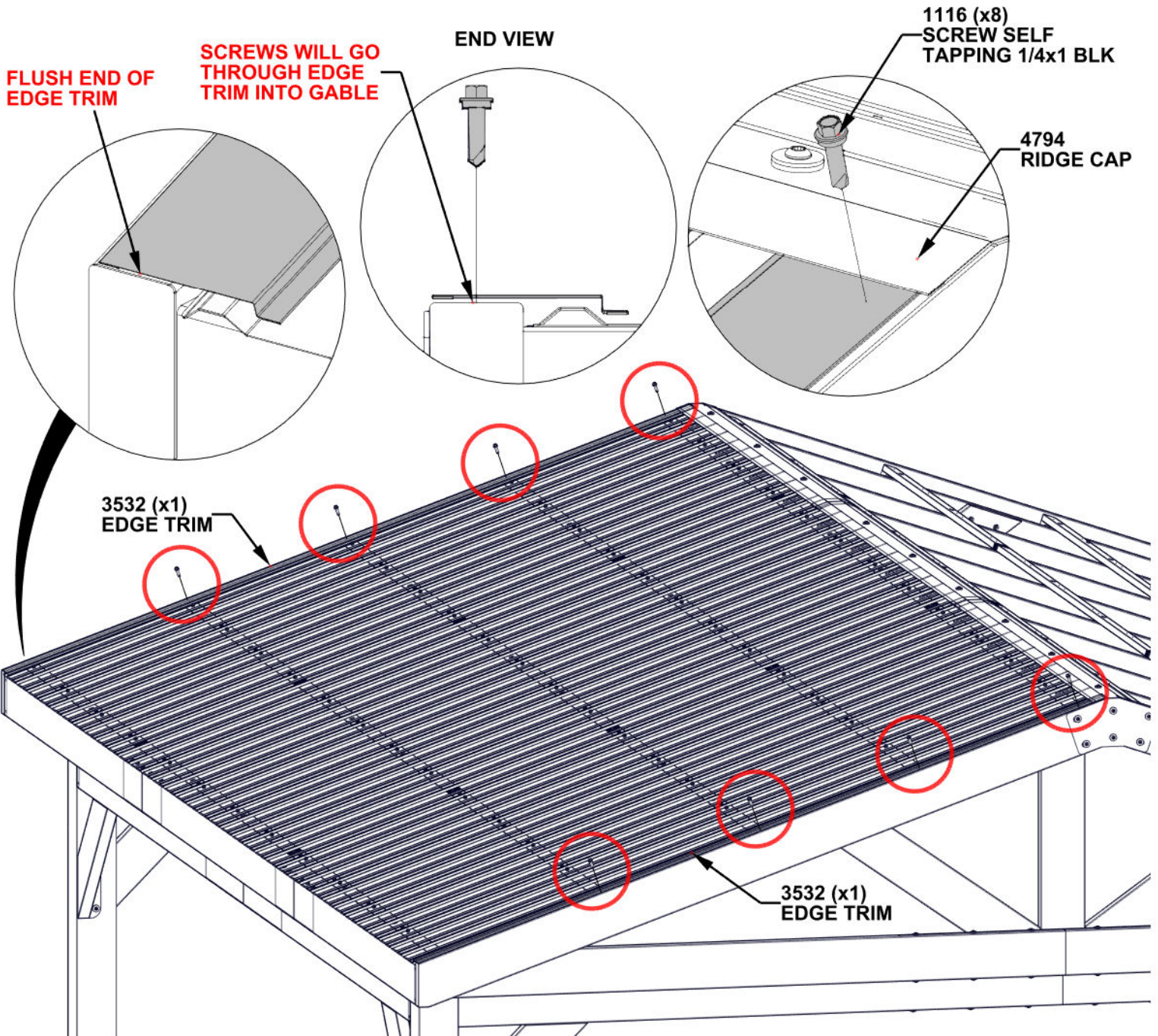
STEP 42 - ROOF ASSEMBLY

Qty	PartNo	Description
8	H101116	SCREW SELF TAPPING 1/4x1 BLK

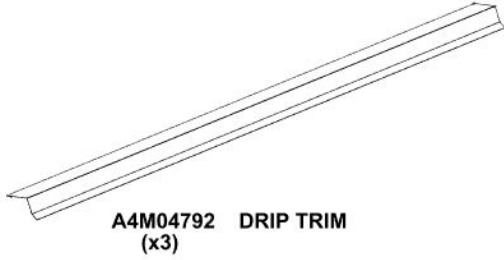


A4M03532 EDGE TRIM
(x2)

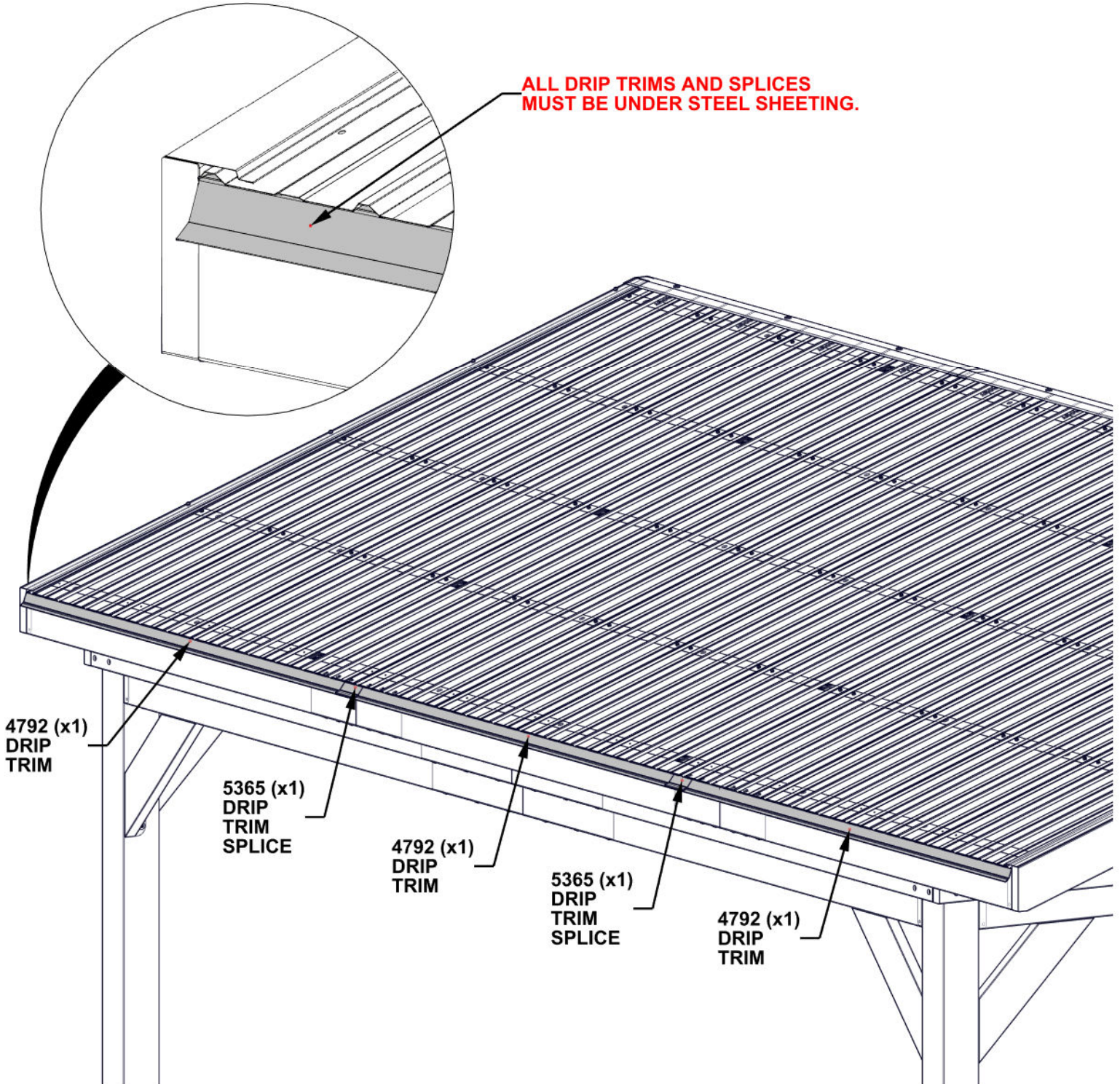
- DUE TO MULTIPLE LAYERS OF METAL ON THE DRIP EDGE, IT IS RECOMMENDED THAT A 1/8" (3mm) DRILL BIT BE USED TO CREATE STARTER HOLES.
- WARNING: GLOVES ARE RECOMMENDED WHEN HANDLING STEEL ROOF PIECES.
- REMOVE PROTECTIVE FILM.
- SLIDE EDGE TRIM UNTIL ONE END IS POSITIONED UNDERNEATH RIDGE CAP AND OTHER END IS FLUSH WITH END.
- STARTING AT THE TOP, ALIGN SCREWS WITH SHEET SCREWS.



STEP 43A - ROOF ASSEMBLY



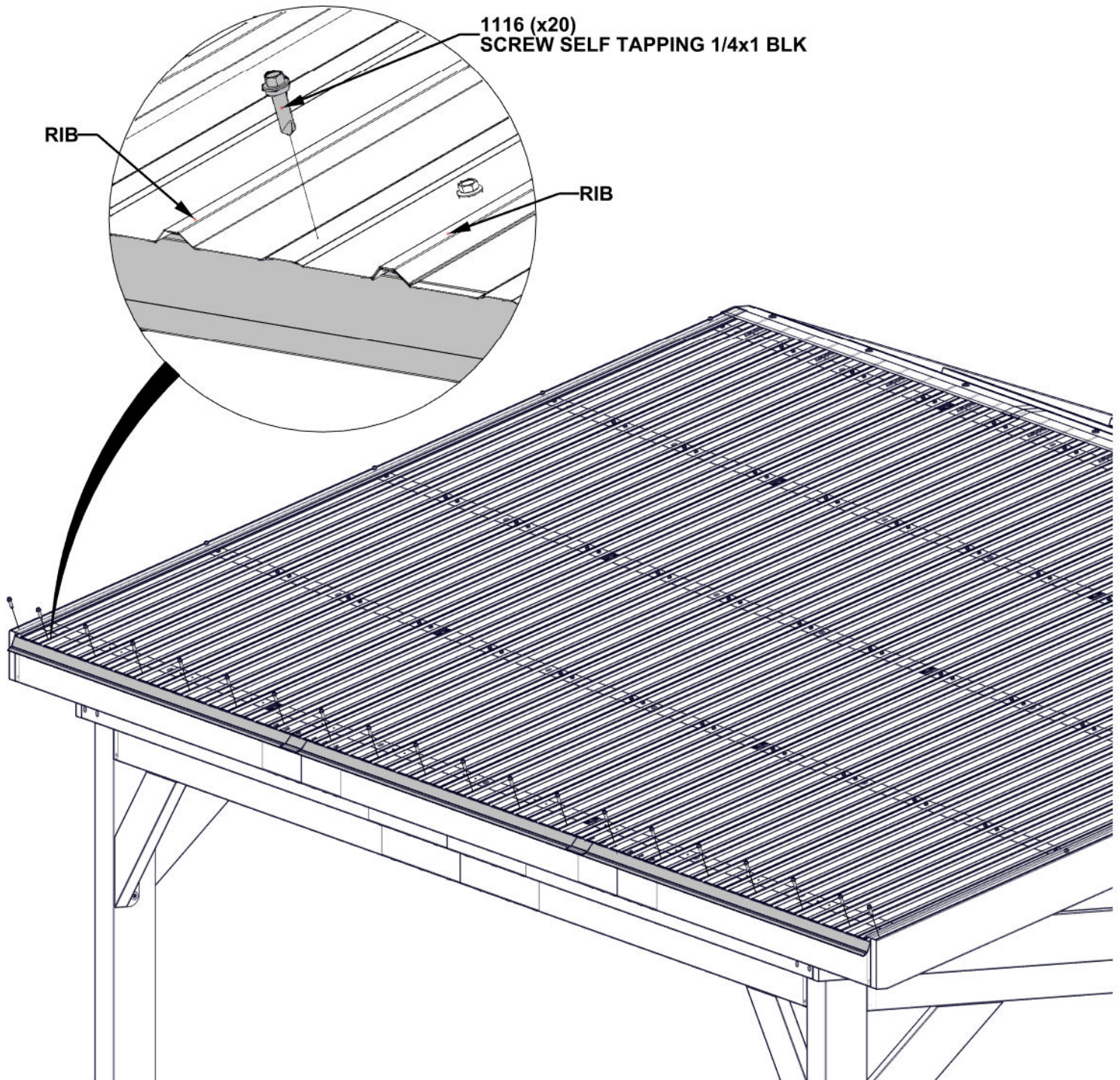
- REMOVE PROTECTIVE FILM.
- WITH ONE EXTRA PERSON, ORIENT DRIP TRIMS AND DRIP TRIM SPLICES UNDER ALL STEEL SHEETINGS.



STEP 43B - ROOF ASSEMBLY

Qty	PartNo	Description
20	H101116	SCREW SELF TAPPING 1/4x1 BLK

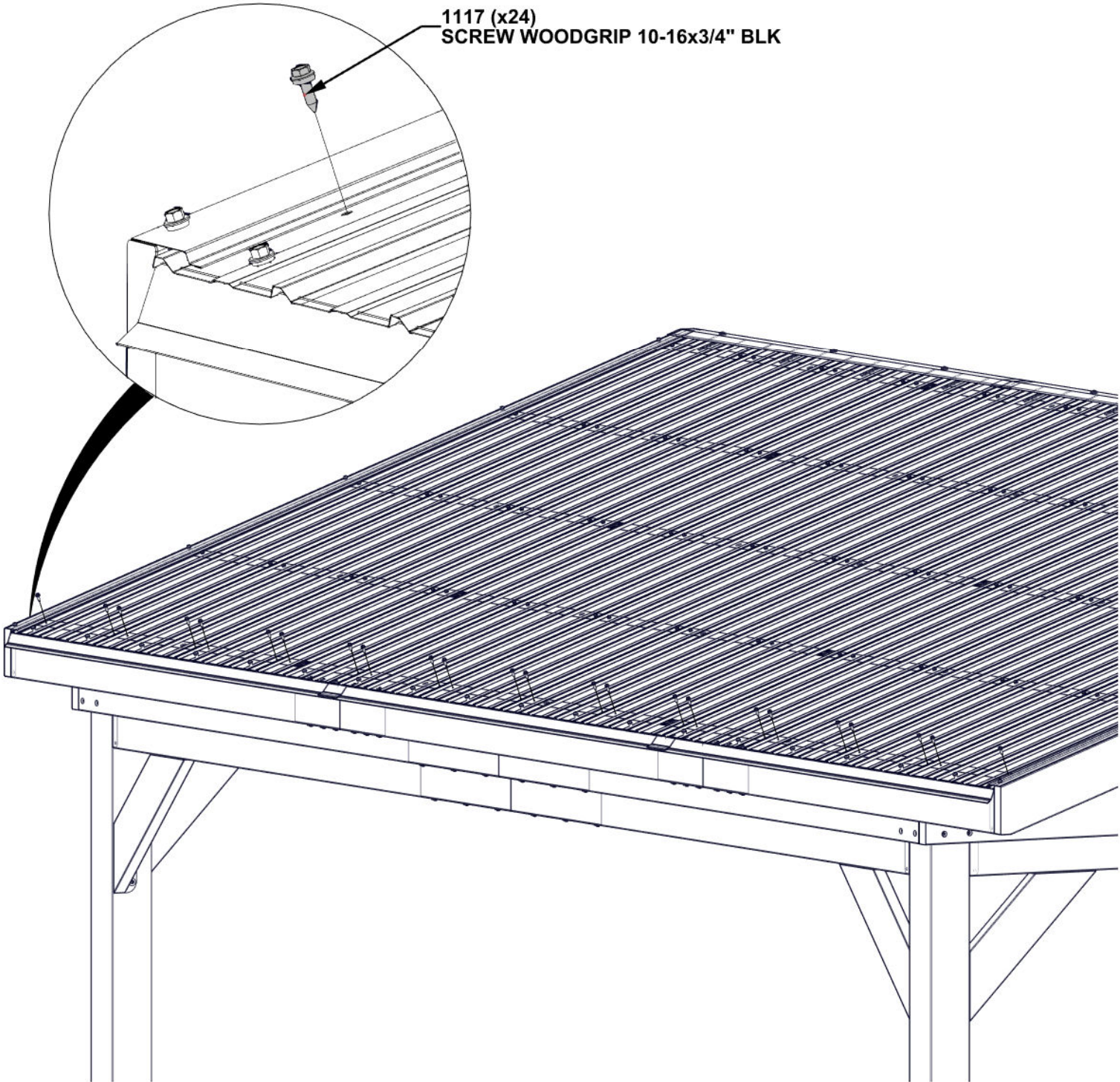
- DUE TO MULTIPLE LAYERS OF METAL ON THE DRIP EDGE, IT IS RECOMMENDED THAT A 1/8" (3mm) DRILL BIT BE USED TO CREATE STARTER HOLES.
- WARNING: GLOVES ARE RECOMMENDED WHEN HANDLING STEEL ROOF PIECES.
- STARTING IN THE FRONT CORNER, ATTACH SCREWS SPACING EVERY OTHER RIB.



STEP 43C - ROOF ASSEMBLY

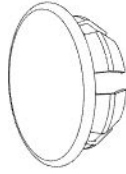
Qty	PartNo	Description
24	H101117	SCREW WOODGRIP 10-16x3/4" BLK

- ADD SCREWS TO THE BOTTOM ROW AND TIGHTEN ALL HARDWARE.



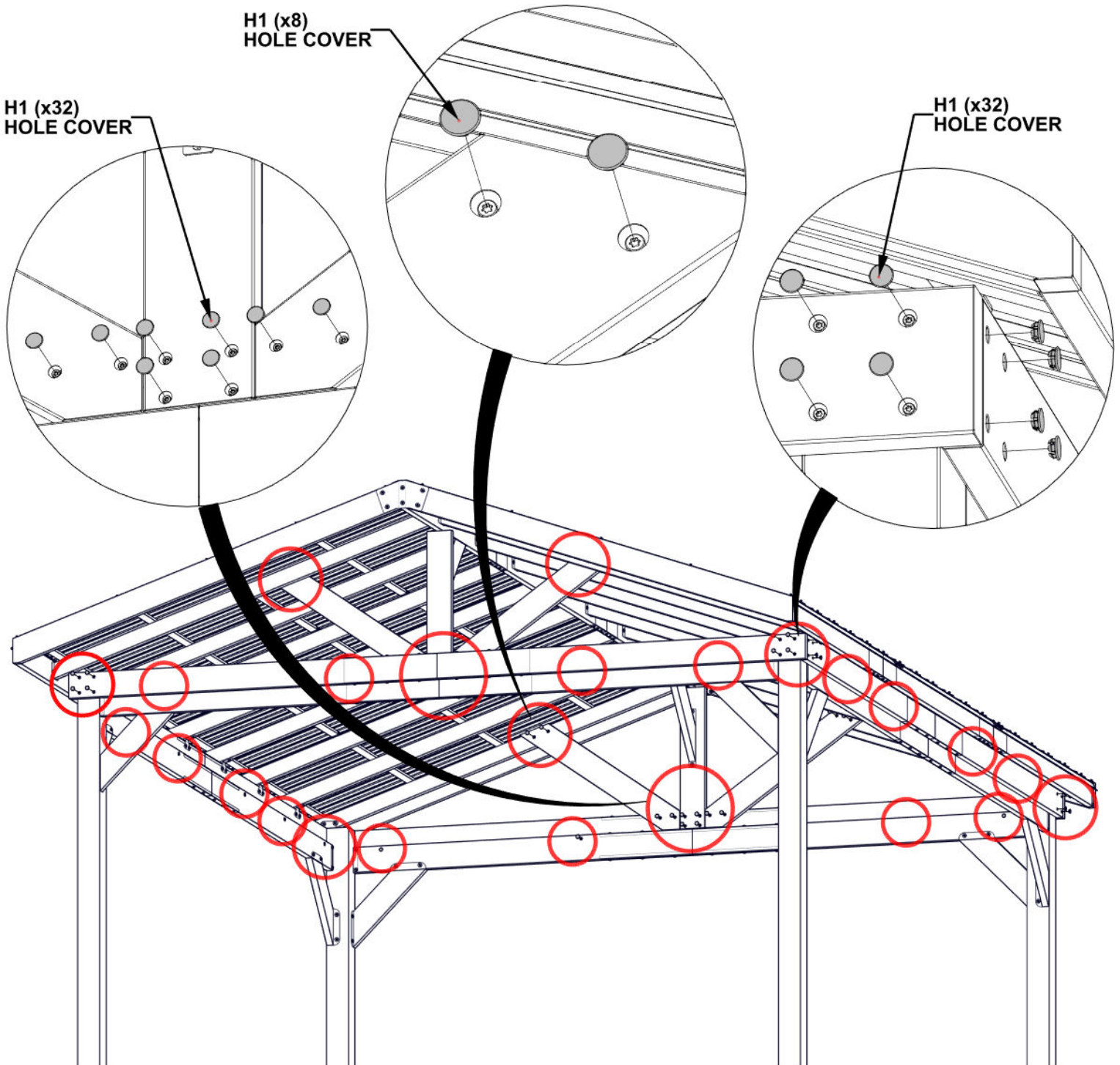
**REPEAT ROOF ASSEMBLY STEPS 39 - 43C
TO INSTALL SHEETMETAL ON OPPOSITE SIDE OF ROOF**

STEP 44 - STRUCTURE ASSEMBLY



A4M01352 HOLE COVER
(x76)

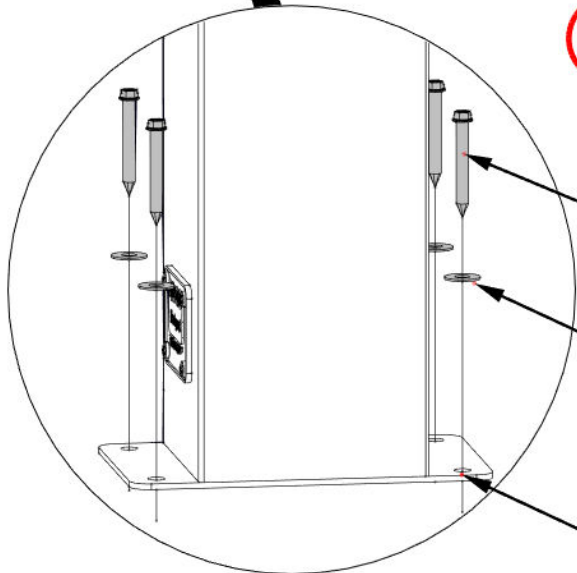
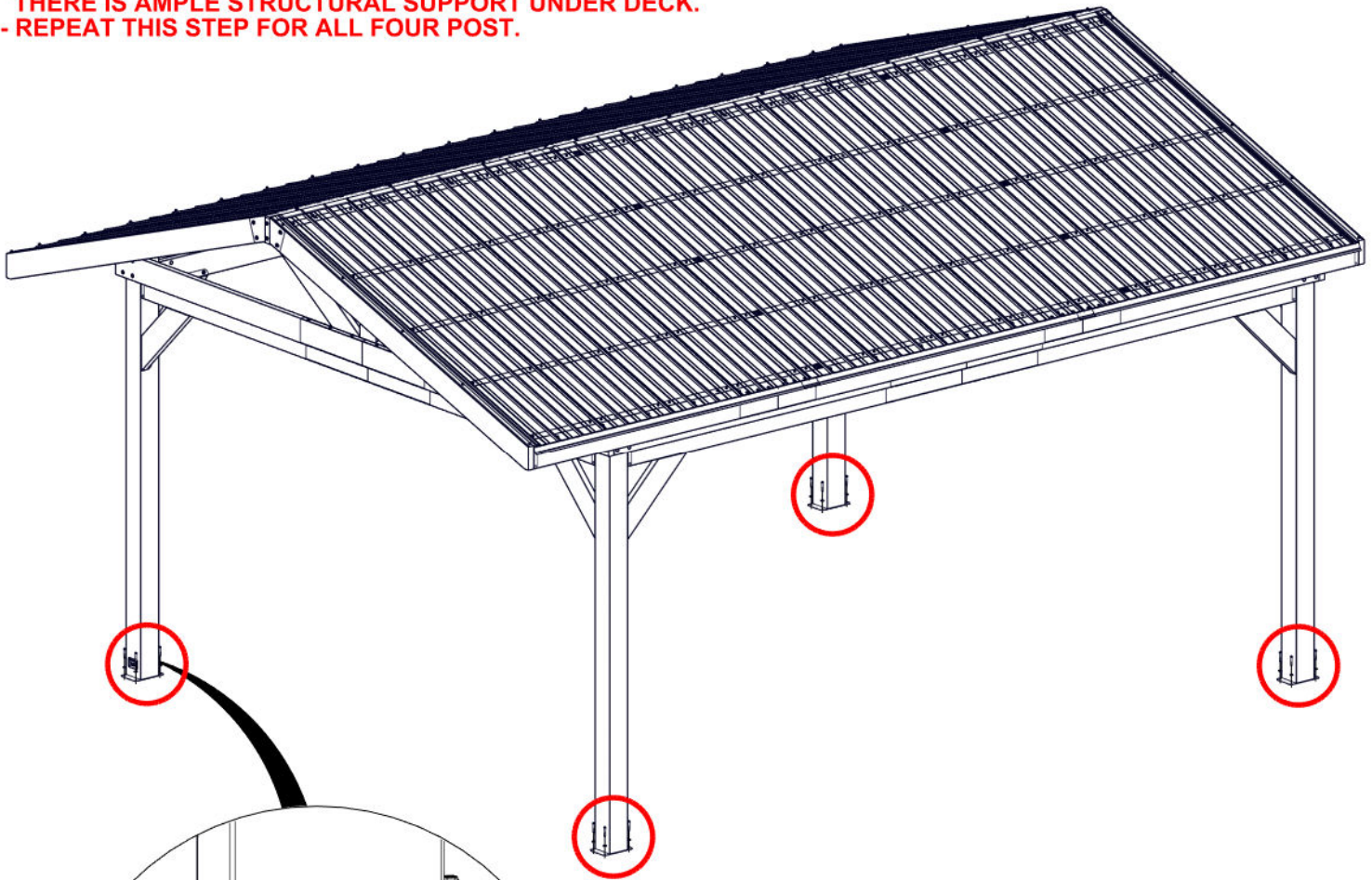
- USE A SMALL PIECE OF WOOD AND RUBBER Mallet TO TAP HOLE COVERS IN.
- DO NOT TAP DIRECTLY WITH A HAMMER AS YOU MAY DAMAGE THE POWDER COAT FINISH ON PRODUCT.



STEP 45 - ANCHORING

Qty	PartNo	Description
16	H100120	CONCRETE ANCHOR
16	H100630	WASHER FLAT 8x19 BLK

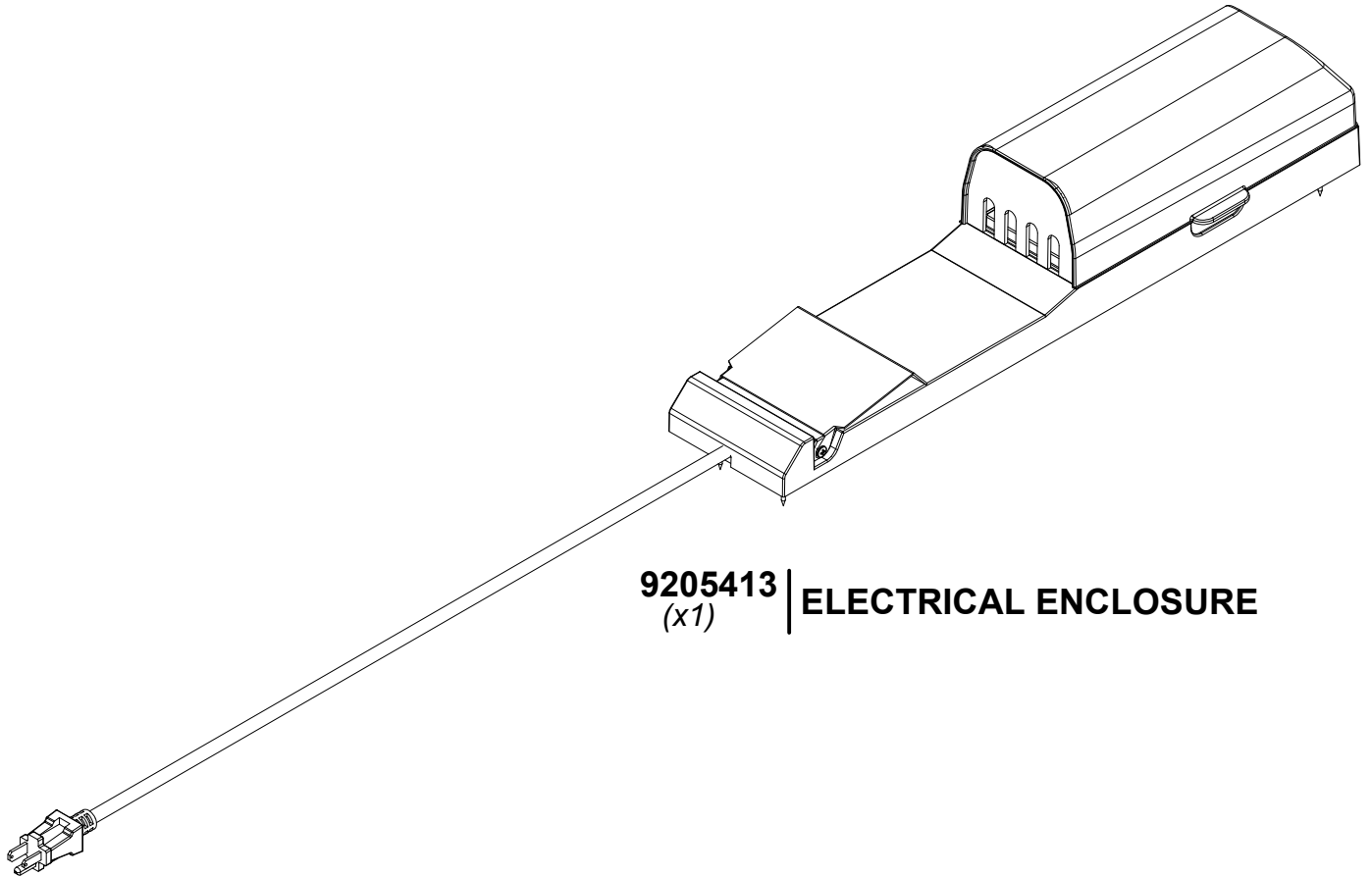
- MANUFACTURER RECOMMENDS INSTALLATION ON CONCRETE SURFACE OR CONCRETE POST PADS. SEE BELOW.
- FOR INSTALLATION ON WOOD DECKS, YOU MUST ENSURE THERE IS AMPLE STRUCTURAL SUPPORT UNDER DECK.
- REPEAT THIS STEP FOR ALL FOUR POST.



120 (x16)
CONCRETE SCREW-2"

630 (x16)
WASHER - 8x19

PRE-DRILL HOLES FOR CONCRETE ANCHORS USING A 3/16" [5mm] CONCRETE DRILL BIT



9205413 | **ELECTRICAL ENCLOSURE**
(x1)

FOR POWERPORT INSTALLATION REFER TO ASSEMBLY INSTRUCTIONS THAT COME PACKAGED WITH THE POWERPORT KIT. INSTALL ON ANY EXTERIOR POST THAT IS DESIRED. FOLLOW DIRECTIONS FOR PROPER INSTALLATION.