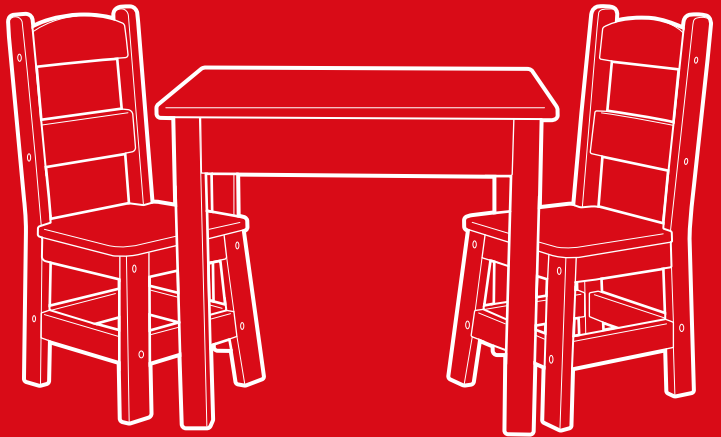




bestchoiceproducts



INSTRUCTION MANUAL

3- or 5-Piece Kids Wooden
Table & Chairs Set



bestchoiceproducts

Thank you for choosing us! Since 2002, Best Choice Products has been bringing customers high-quality products at the absolute lowest price. With everything ranging from instruments and toys to furniture and outdoor, we've got your everyday living essentials covered. We're centered around a customer-first philosophy - with free shipping, exceptional customer service, and a catalog sourced with you in mind.

NOTICE

Please retain these instructions for future reference.

- Please do not exceed the weight limitations of this item.
- Product is intended for indoor use only.
- Do not stand on or use any part of this item as a step ladder.
- Firmly secure all bolts, screws and knobs before use.
- Reconfirm that all bolts, screws, and knobs are secure every 90 days.
- Fasten screws loosely during initial assembly. Do not firmly tighten the screws until the item is completely assembled.
- Do not use or store this item in the proximity of open flame or flammable/combustible chemicals.
- If any parts are missing, broken, damaged, or worn, stop using this item until repairs are made and/or factory replacement parts are installed.
- Do not use this item in a way inconsistent with the manufacturer's instructions as this could void the product warranty.
- To wipe down the furniture, use a damp cloth. Then, wipe it down once more with a dry cloth.

TOOLS REQUIRED



ALLEN WRENCH
(PROVIDED)



WRENCH
(PROVIDED)



PHILLIPS
SCREWDRIVER



100 LBS
CHAIR
CAPACITY



175 LBS
TABLE
CAPACITY



1 PERSON
ASSEMBLY



APPROXIMATELY
30 - 45 MIN.
ASSEMBLY

HARDWARE

1

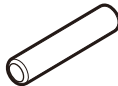
HEX SCREW



20 or 40 PCS

2

M8 x 30mm
DOWEL



20 or 40 PCS

3

M4 x 32mm
SCREW



8 or 16 PCS

4

BOLT



8 PCS

5

2-HOLE
BARREL NUT



4 PCS

6

WASHER



8 PCS

7

NUT

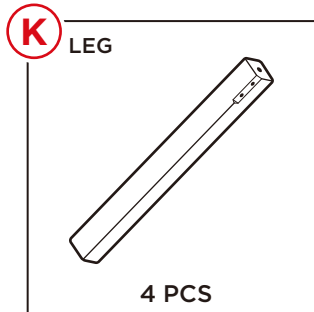
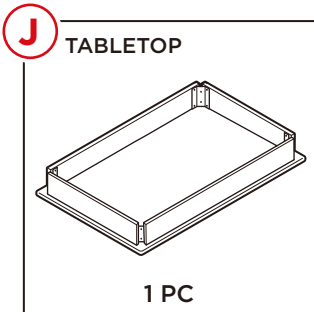
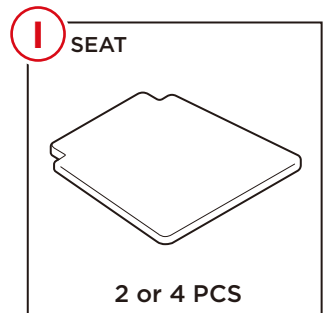
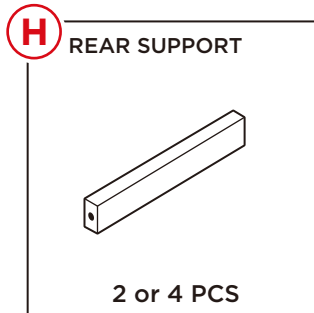
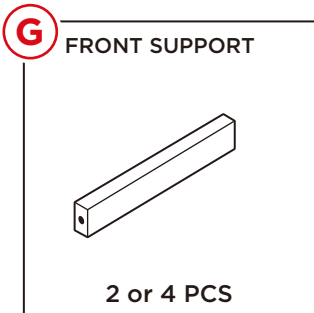
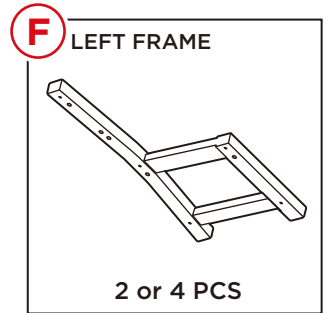
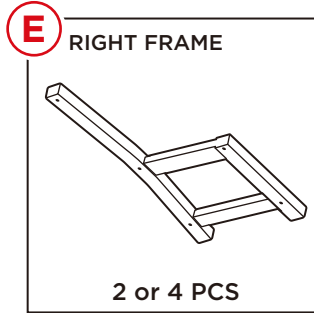
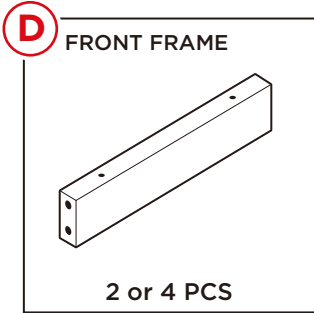
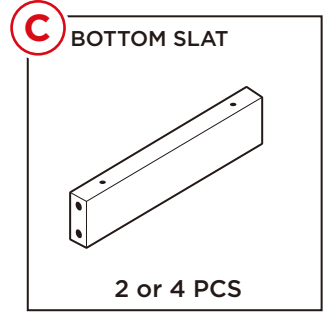
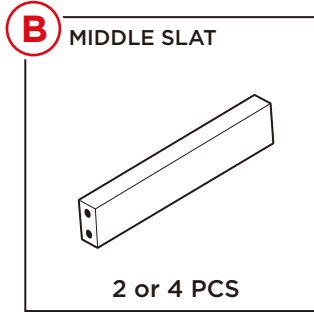
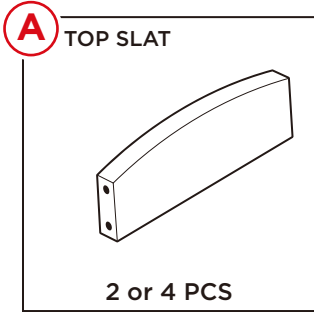


8 PCS

NOTE:

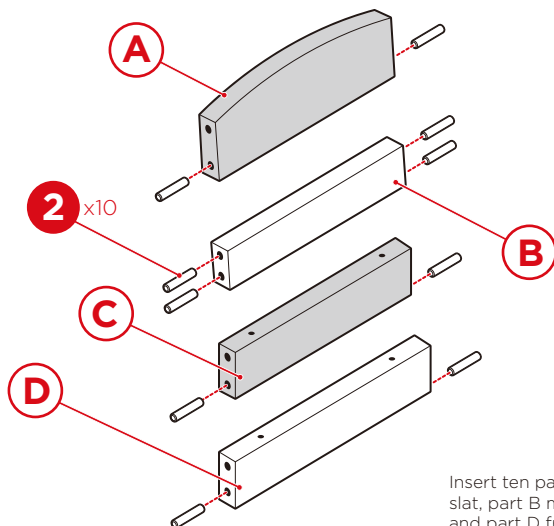
SKY4611 has 2 chairs and SKY4612 has 4 chairs, so quantities will differ depending on the item.

PARTS



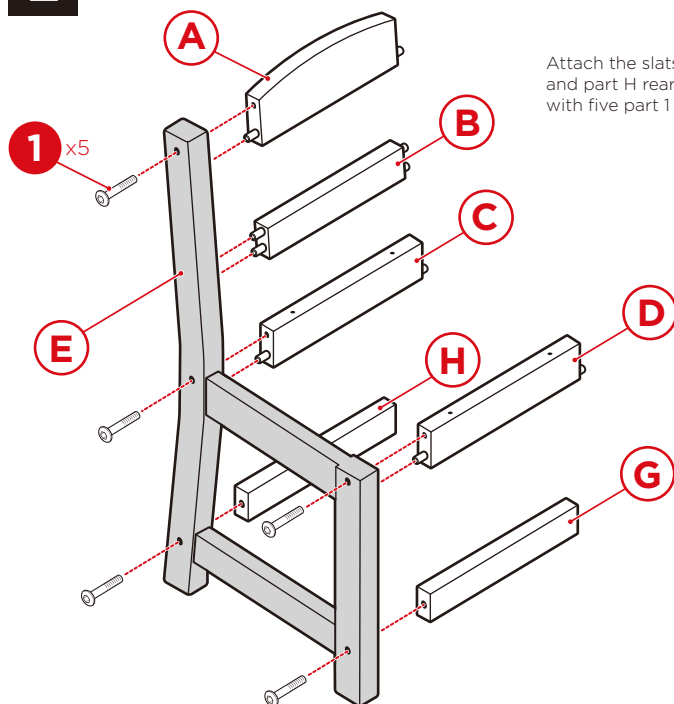
PRODUCT ASSEMBLY - CHAIR

1



Insert ten part 2 dowels into the part A top slat, part B middle slat, part C bottom slat, and part D front frame.

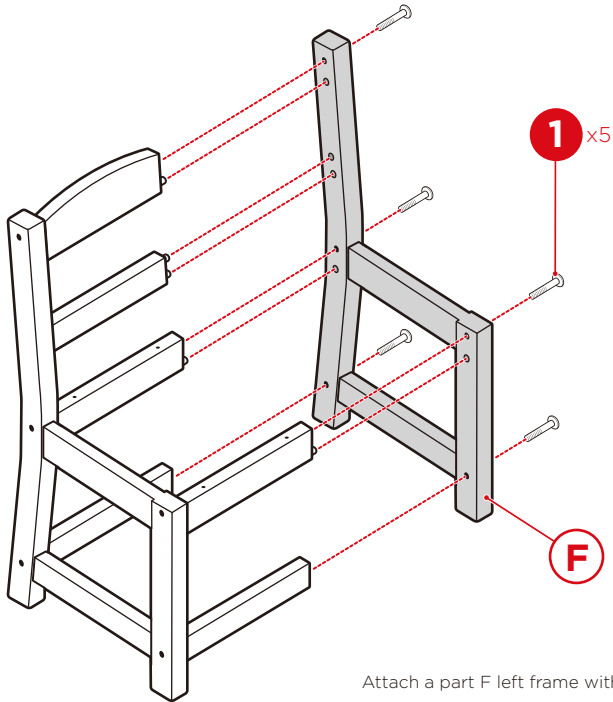
2



Attach the slats, front frame, part G front support, and part H rear support to a part E right frame with five part 1 hex screws

PRODUCT ASSEMBLY - CHAIR

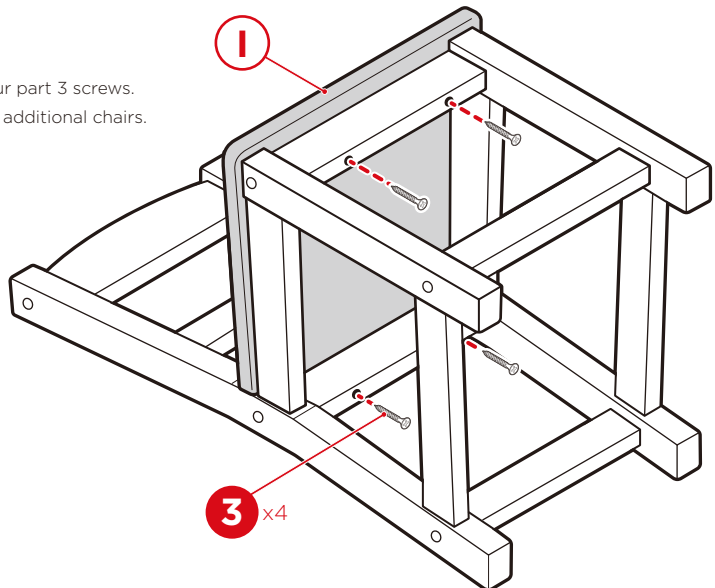
3



Attach a part F left frame with five part 1 hex screws.

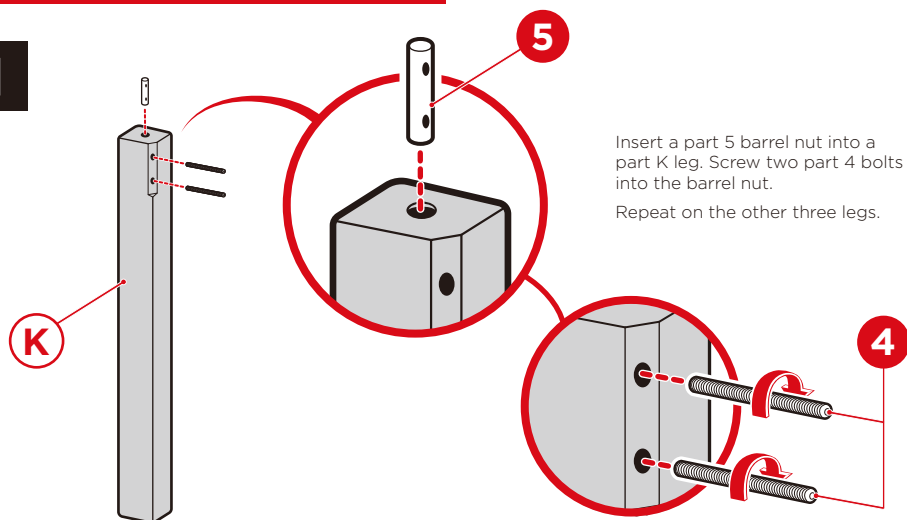
4

Attach a part I seat with four part 3 screws.
Repeat steps 1 to 4 to build additional chairs.

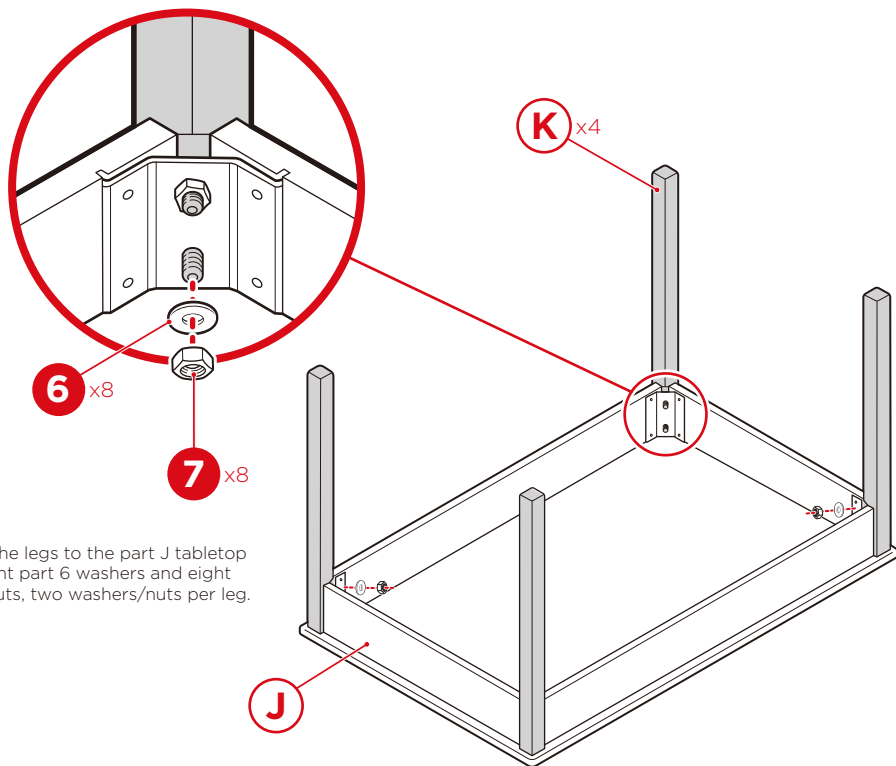


PRODUCT ASSEMBLY - TABLE

1

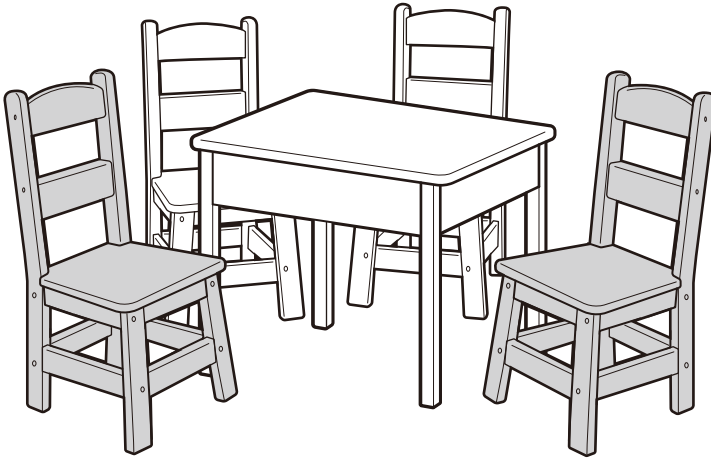


2



ENJOY YOUR PRODUCT!

bcp



NOTE:
SKY4611 has 2 chairs and
SKY4612 has 4 chairs

PRODUCT WARRANTY INFORMATION

All items can be returned for any reason within 60 days of the receipt and will receive a full refund as long as the item is returned in its original product packaging and all accessories from its original shipment are included. All returned items will receive a full refund back to the original payment method. All returned items will not be charged a re-stocking fee.

All returned items require an RA (Return Authorization) number, which can only be provided by a Best Choice Products Customer Service Representative when the return request is submitted. Items received without an RA may not be accepted or may increase your return processing time. Once an item has been received by Best Choice Products, refunds or replacements will be processed within 5 business days.

All returns must be shipped back to the Best Choice Products Return Center at the customer's expense. If the reason for return is a result of an error by Best Choice Products then Best Choice Products will provide a pre-paid shipping label via email. Boxes for return shipping will not be provided by Best Choice Products, and is the customer's responsibility to either use the original shipping boxes or purchase new boxes.

Pictures may be required for some returns to ensure an item is not damaged prior to its return. Items returned are not considered undamaged until they are received by Best Choice Products and verified as such. All damages to items are the customer's responsibility until the item has been received by and acknowledge by Best Choice Products as undamaged.

CONTACT US; WE'RE HERE 7 DAYS A WEEK TO HELP YOU!



bestchoiceproducts.com



customerservice@bestchoiceproducts.com



844.948.8400



LEARN MORE!

WARNING

Manufacturer and seller expressly disclaim any and all liability for personal injury, property damage or loss, whether direct, indirect, or incidental, resulting from the incorrect attachment, improper use, inadequate maintenance, or neglect of this product.