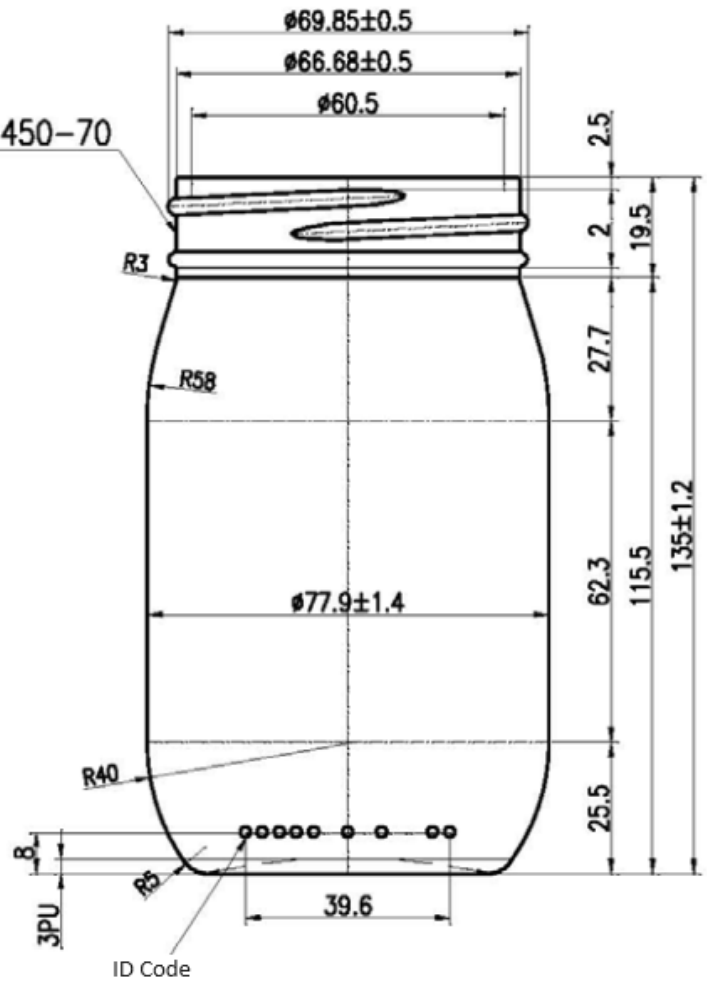


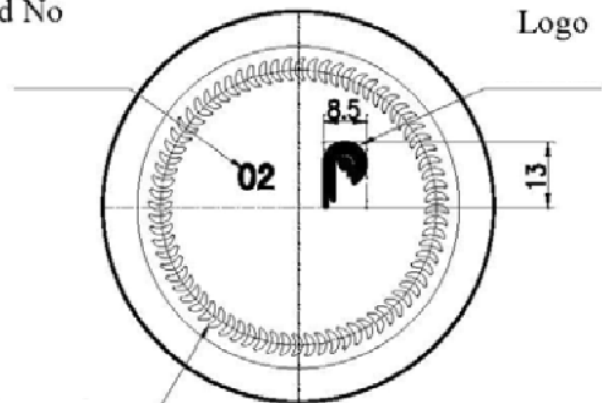
Pitch 6.35mm
Width 3.2mm
1 Circle

GPI-450-70



Mould No

Logo



Knurling
Length 4.5mm
Width 1.4MM

Base

| SPECIFICATIONS | |
|----------------|----------|
| WEIGHT | 235±14 g |
| HELD CAPACITY | 491±9 ml |

DISTRIBUTED BY:



REF NO.:

DWG30767

DESCRIPTION:

16 oz Glass Tall Mayo Jar, 70-450G

DISCLAIMER

THIS INFORMATION IS PROVIDED AS A GENERAL GUIDE, INCLUDING DIMENSIONS. IT IS THE CUSTOMER'S RESPONSIBILITIES TO SELECT THE PROPER CONTAINER FOR PRODUCT AND APPLICATION COMPATIBILITY.