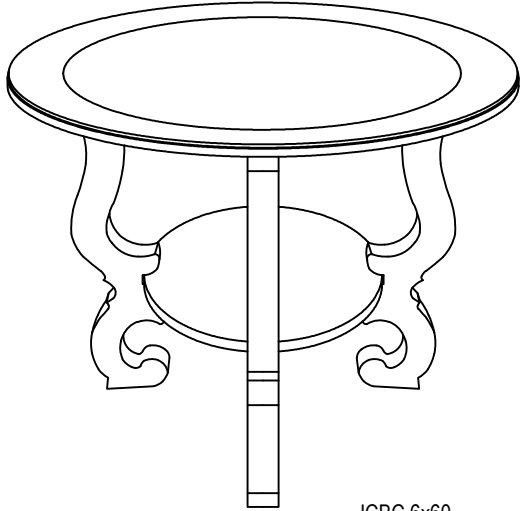


HEKMAN®

X A HOWARD MILLER COMPANY
Grand Rapids, Michigan

ASSEMBLY INSTRUCTION

#16106 ROUND LAMP TABLE



No.	PARTS	DESCRIPTION	QTY
1		ALLEN KEY L4	1 Pcs
2		SCREW 8x2.5	4 Pcs
3		JCBC BOLT M6x50	8 Pcs
4		JCBC BOLT M6x60	4 Pcs
4		FLAT WASHER Ø6	12 Pcs

