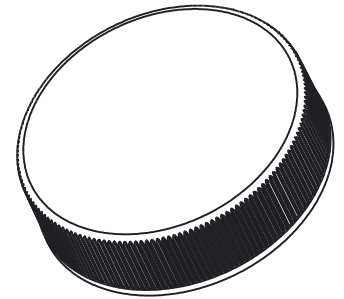
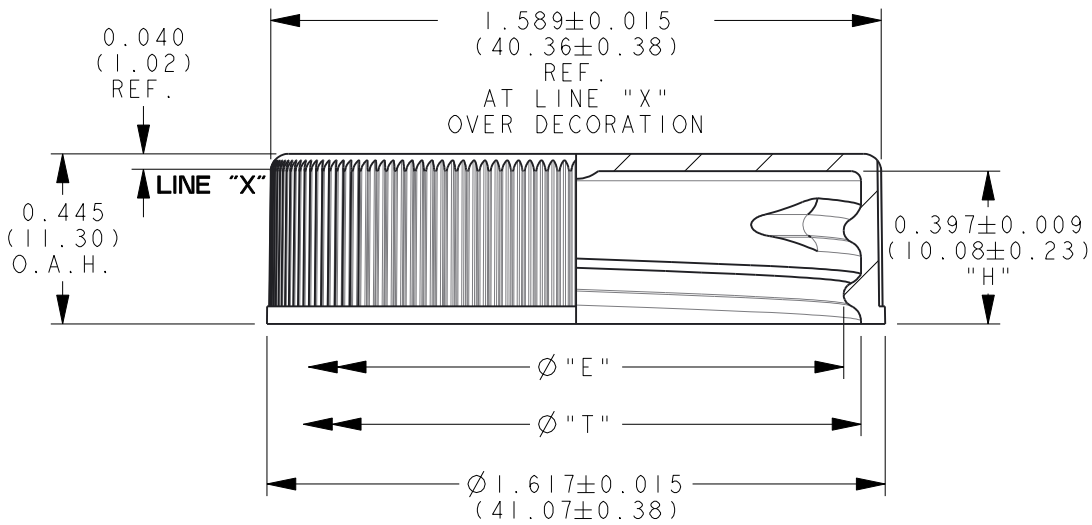


NOTES

- 6 TPI THREAD CONSTR. TO FIT:
- 38-400 SPI PLASTIC FINISH
- 38-400 GPI GLASS FINISH

ENGLISH DIMENSIONS IN INCHES
 METRIC DIMENSIONS IN (mm)



DISCLAIMER

THIS INFORMATION IS PROVIDED AS A GENERAL GUIDE, INCLUDING DIMENSIONS. IT IS THE CUSTOMER'S RESPONSIBILITIES TO SELECT THE PROPER CONTAINER FOR PRODUCT AND APPLICATION COMPATIBILITY.

DISTRIBUTED BY:



REF NO.:

DWG31708

DESCRIPTION:

38-400 PP Circumvent Screw Cap with Y4 Foam Liner and F217

Vented Liner Data Sheet

Vented Liner Type	Circumvent™ Y4
Vented Liner Description	YCIR4

Liner Material	LDPE Foam
Thickness (in)	0.040 (Nominal)

Membrane Material	YC4 Oleophobic ePTFE
Support Layer	PP scrim
Effective Vent Diameter (in)	0.125 (+/- 0.01)
Reference Pore Size (µm)	0.7

Vented Liner Data Sheet

Vented Liner Type	AirFoil™ YN4
Vented Liner Description	YAN4 FSM-1 S70 QI

Liner Material	Selig FSM-1 S70 induction PE
Thickness (in)	0.015 (Nominal)

Membrane Material	YN4 Oleophobic ePTFE
Support Layer	PP/PE non-woven scrim
Effective Vent Diameter (in)	0.270 (+/- 0.01)
Reference Pore Size (µm)	0.7

DISTRIBUTED BY:



REF NO.:

DWG31708

DISCLAIMER

THIS INFORMATION IS PROVIDED AS A GENERAL GUIDE, INCLUDING DIMENSIONS. IT IS THE CUSTOMER'S RESPONSIBILITIES TO SELECT THE PROPER CONTAINER FOR PRODUCT AND APPLICATION COMPATIBILITY.

DESCRIPTION:

38-400 PP Circumvent Screw Cap with Y4 Foam Liner and F217