

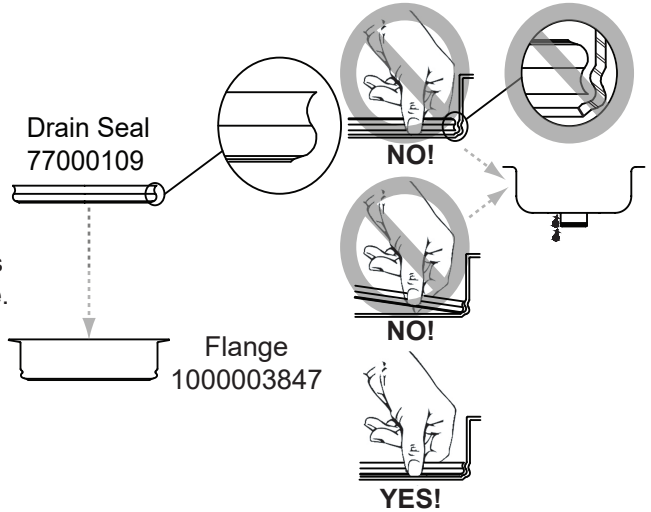
For all non-disposer installations in Quartz Perfect Drain™.

## STEP 1

Install and properly seat **Drain Seal** within groove of **Flange**.

Incorrect installation may allow leaks and void the warranty!

Apply non-staining plumbers putty to underside of **Flange**.



## STEP 2

Properly seat **Drain Body** into **Flange**.

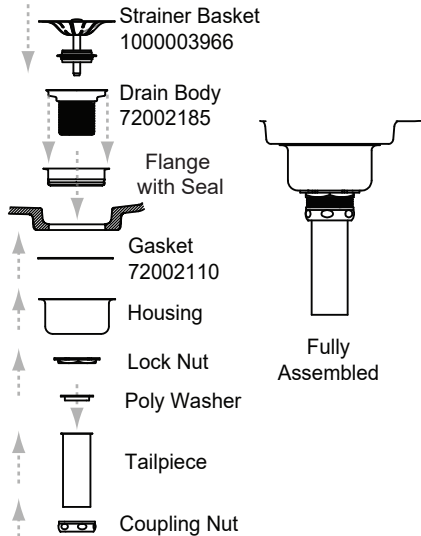
Insert **Flange** into sink.

Place **Gasket** over **Flange**. Install **Housing** over **Flange**.

Thread **Lock Nut** onto **Drain Body**. Place **Poly Washer** on **Tailpiece**.

Install **Tailpiece Assembly** onto **Drain Body** with **Coupling Nut**.

Check for leaks and place **Strainer Basket** into **Drain Body**.



**BE CAREFUL TO NOT OVER TIGHTEN THE FITTINGS.**

In keeping with our policy of continuing product improvement, Elkay reserves the right to change product specifications without notice. Please visit [elkay.com](http://elkay.com) for most current version of Elkay product specification sheets.

This specification describes an Elkay product with design, quality, and functional benefits to the user. When making a comparison of others producers offerings, be certain these features are not overlooked.

**ELKAY**

sinks + faucets

## Quartz Perfect Drain™ InSinkErator® Disposer Installation Instructions

in sink erator®

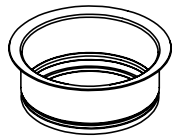
Elkay® Quartz Perfect Drain™ sinks are designed and approved for compatible disposers manufactured by InSinkErator® utilizing the Quick Lock® mounting configuration.

Use of non-approved disposers may void Elkay warranty.

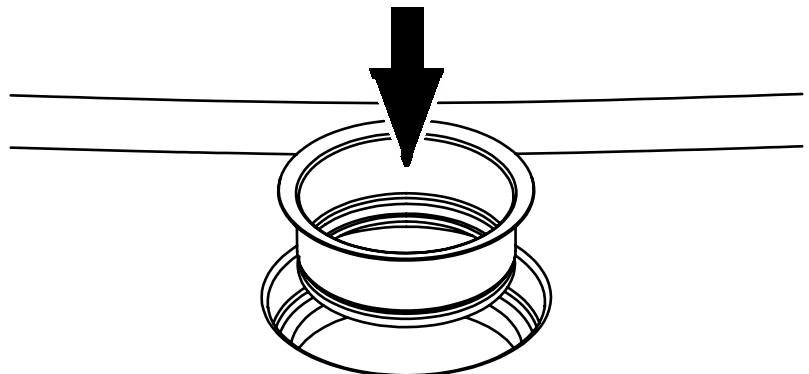
InSinkErator, Quick Lock and the mounting collar configuration are trademarks of Emerson Electric Co.



To install garbage disposer onto Elkay® Quartz Perfect Drain™ Sink:

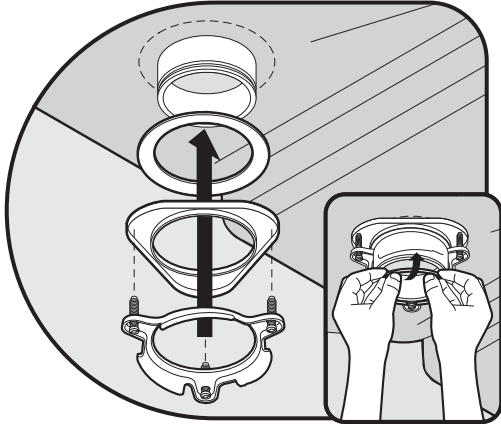


1. Disassemble LKPDQ1 drain assembly and remove the Flange component. Remaining components will not be used.
2. Apply non-staining plumbers putty to underside of the Flange and install the Flange into Quartz Perfect Drain™ Sink opening.



# Quartz Perfect Drain™ InSinkErator® Disposer Installation Instructions

3. Locate appropriate step in disposer installation guide (provided with garbage disposer) represented by image below:



(1)  
Sink  
Flange



(2)  
Fiber  
Gasket



(3)  
Backup  
Flange



(4)  
Mounting  
Ring



(5)  
Screws



(6)  
Snap  
Ring

4. Disassemble Quick Lock® mounting assembly components provided provided with disposer (1, 2, 3, 4, 5, 6). Sink Flange component (1) is not required.



5. Follow remaining installation steps as outlined in disposer installation guide, utilizing remaining components (2, 3, 4, 5, 6).

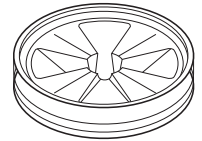
---

**WARNING!**

---

**OVER-TIGHTENING OF MOUNTING ASSEMBLY SCREWS (5) COULD CAUSE PERMANENT DAMAGE TO SINK. DO NOT USE POWER TOOLS TO TIGHTEN!**

6. Install Quiet Collar® Sink Baffle into Flange groove.



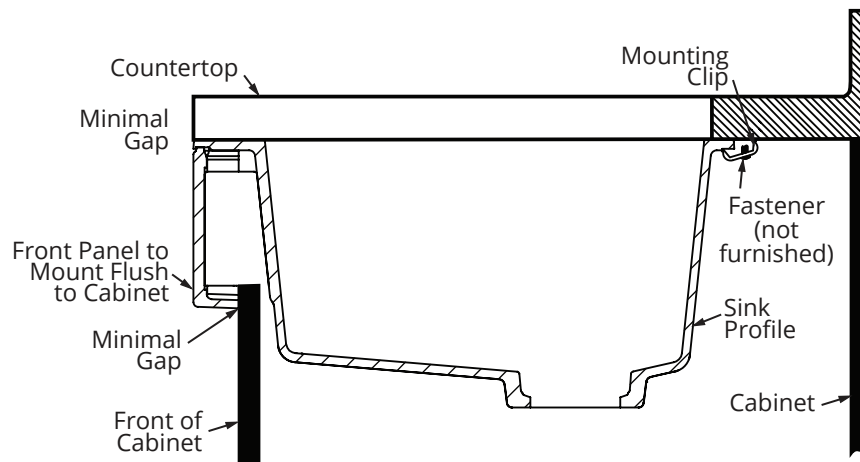
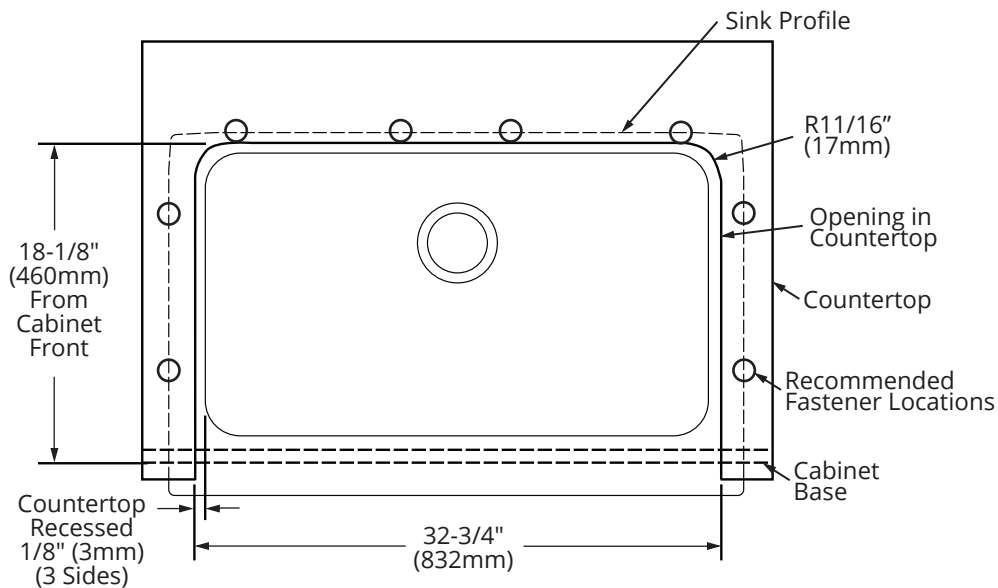
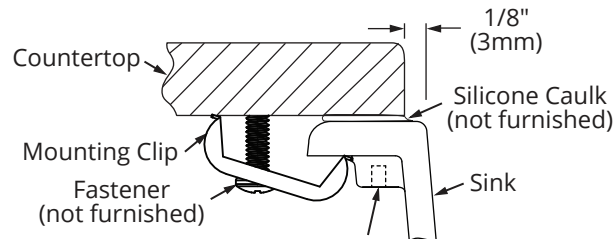
For further assistance, contact  
InSinkErator® Customer Service Line  
1.800.558.5700  
or visit [www.insinkerator.com](http://www.insinkerator.com)

**Attention Installer:**

- Elkay recommends that undermount sinks be installed by a professional, experienced installer.
- Due to the custom nature of this type of installation, no cutout template is included. Elkay recommends providing the cabinet maker with the actual sink to be installed prior to the cabinet fabrication. It is recommended that the sink be installed with an approximately 1/8" sink rim reveal. It is further recommended that the installer(s) discuss this with the customer and agree that this finished appearance is the desired effect. Elkay is not responsible for improper sink or countertop installations.
- Proper installation requires a coordinated effort including advanced dialog between the designer (or customer), the cabinet maker, the countertop fabricator, and the sink installer during the design and installation phase.
- Elkay undermount sinks should only be fastened to a solid surface countertop (i.e. granite / Corian®). Elkay recommends that the sink cutout and mounting holes be cut by the countertop fabricator prior to installation.
- Elkay is not responsible for the sink or countertop if damaged during installation.
- Follow all local plumbing and building codes.
- Inspect sink for damage prior to beginning installation.

**Installation Profiles**

**UNDERMOUNT - 1/8" REVEAL**



**Required Tools (not included)**



**Installation**



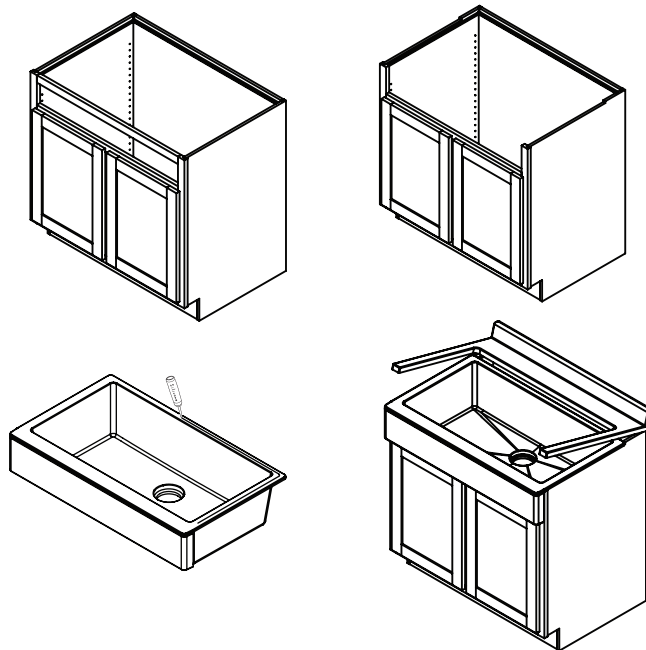
**WARNING:** Always wear safety goggles and gloves when using power tools or handling the sink to prevent personal injury.

- 1** Remove the false drawer front and the upper bracing from the base cabinet.

Place the sink in the cabinet and trace onto the side walls of the cabinet to show what material must be removed.

Elkay recommends removing material 1/16 of an inch at a time until the top of the sink is flush with the top of the cabinet.

**\*\*ATTENTION:** Farmhouse sinks with 10" apron-fronts will require a Farmhouse Apron-Front sink base cabinet. This cabinet is designed to have shorter doors and a top cut-out prepped for a Farmhouse sink. The cabinet design intent is to have shorter doors and a lower header to clear the extended height of the taller apron-front.

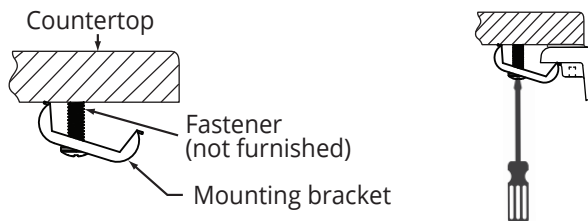


- 2** Apply silicone caulk (not included) evenly all around the top of the sink flanges.

Position and align the sink in the cabinet. Lower the countertop into place on the cabinets. Press the silicone and flange up onto the countertop.

- 3** From the underside, fasten the mounting brackets loosely into the pre-drilled mounting holes in the countertop.

Lightly tighten the fasteners with a screwdriver until the sink is snug against the countertop.



- 4** Check alignment of the sink to the countertop opening and then tighten the fasteners until the sink is tight against the countertop. Do not over tighten.

Wipe away any excess caulk with a rag.

