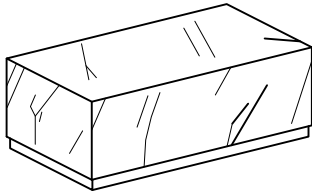


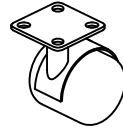
ASSEMBLY INSTRUCTIONS

RECTANGULAR COFFEE TABLE

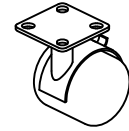
-
- A** Coffee Table **B** Wheel **C** Wheel with Brake



1 PC



2 PCS

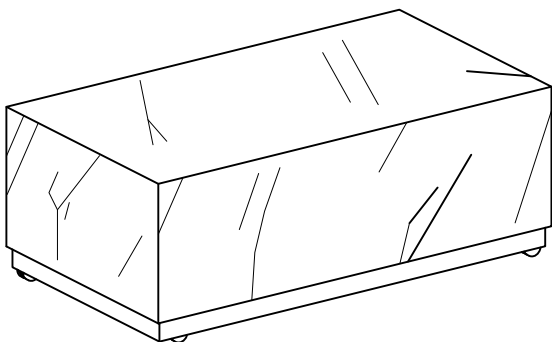


2 PCS

-
- D** Screw
4 x 3/4"

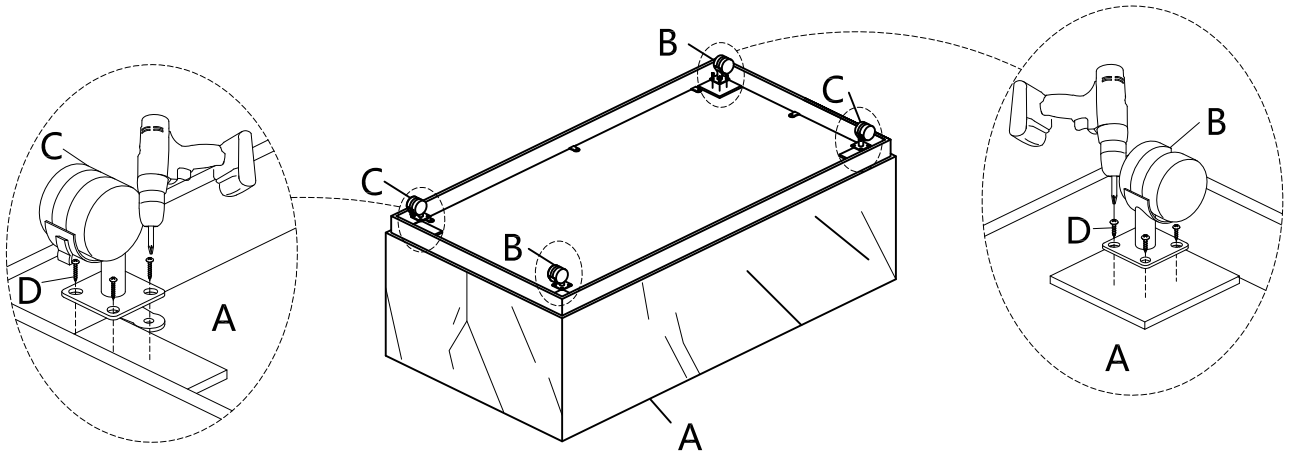


16 PCS

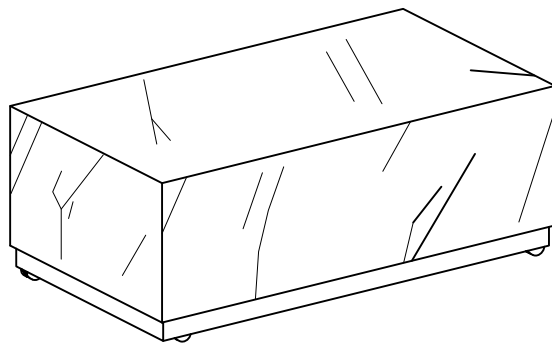


This page lists all the contents included in the box. Please take the time to identify the hardware as well as the individual components to this product. As you unpack and prepare for assembly, place the contents on a carpeted or padded area to protect them from damage.

-
- 1** Place the Coffee Table (A) facedown on a clean surface. Attach the Wheel (B) and the Wheel with Brake (C) to the bottom of the Coffee Table (A) using Screw (D) with an Electric Drill (not provided).



-
- 2** With the assistance from your adult partners, carefully stand the table upright.



Cleaning & Care

Treat surfaces with care. Surfaces are resistant to scratches but are not scratch resistant. Clean surfaces with a dry or damp soft cloth. Do not use abrasive cleaners. Hardware may loosen over time. Periodically check that all connections are tight.