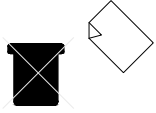


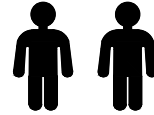
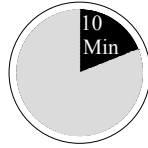
HINTS & TIPS



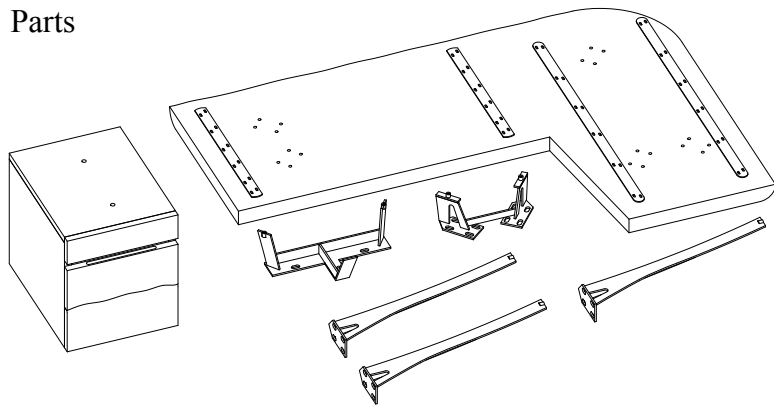
Assembly Instruction



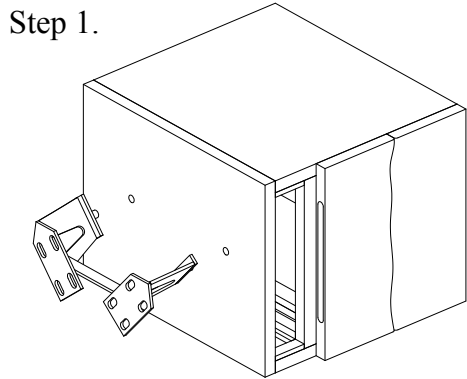
Please retain this assembly instruction for future use.



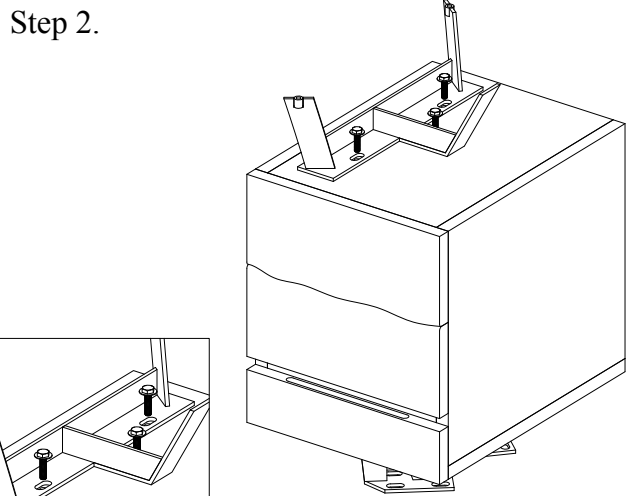
This assembly requires two people



Parts	SKU#	Description	Qty
	1	Flat Washer	25
	2	Bolt	23
	3	Spanner	01
	4	Allen Bolt	02
	5	Allen Key	01

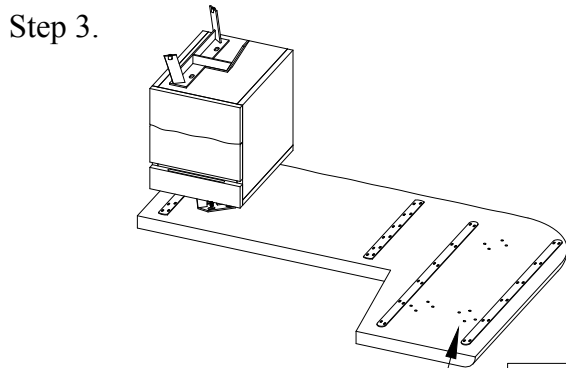


Step 1.

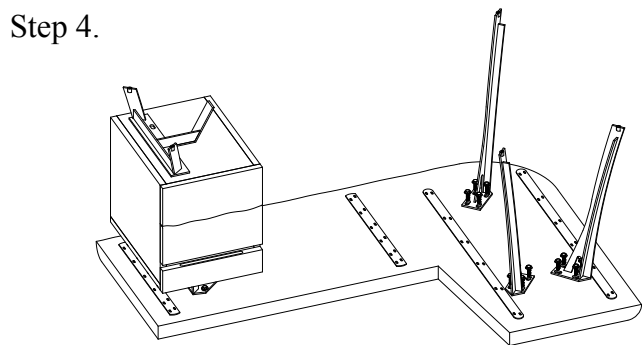


Step 2.

Allen Bolt



Step 3.



Step 4.

The storage box can also be assembled at the another end.

Finish

