

▶ **Code Number**

3325511

▶ **Description**

Battery-Powered, Sensor-Activated, Single-Flush Retrofit Conversion Kit for Exposed Closet or Urinal Flushometers.

▶ **Specifications**

Quiet, Exposed, Optima Plus®, Battery Powered, Sensor-Activated, Single-Flush (sold separately) Retrofit Conversion Kits for Exposed Closet or Urinal Sloan flushometers with the following features:

- ADA Compliant AC-powered infrared side mount sensor for automatic "No Hands" operation
- Chrome Plated Infrared Sensor Housing
- Non-Hold-Open True Mechanical Override Full Flush Button
- Initial Set-up Range Indicator Light (first 10 minutes)
- Four (4) Size AA alkaline Batteries included: Duracell® with DURALOCK Power Preserve Technology™-guaranteed for up to 10 years in storage
- "Low Battery" Flashing LED
- "User in View" Flashing LED
- Installation Tools provided
- No External Volume Adjustment to Ensure Water Conservation

▶ **Service Mode**

Features service mode which ignores targets for 10 minutes to enable fixture to be cleaned or serviced

▶ **Control Circuit**

- Solid State
- 6 VDC Input
- 72 Hour Sentinel Flush
- Closet Range: 2-3 Second Arming Delay
- Urinal Range: 1-2 Second Arming Delay

▶ **Sensor Type**

Infrared Convergence Type Object Lock Detection

▶ **Sensor Range**

Factory Set at 22" - 42" (559 mm-1067 mm)

If converted to urinal range setting: 15-30" (381-762 mm)

▶ **Battery Type**

(4) C Alkaline

▶ **Battery Life**

3 Years @ 4,000 flushes/month

▶ **Indicator Lights**

User in View

▶ **Valve Operating Pressure (Flowing)**

25-80 psi (172-552 kPa)

▶ **Variations**

For Sloan GEM Flushometers – EBV-500-A-G

▶ **Fixtures**

Consult factory for matching Sloan brand fixture options.



▶ **Smart Sense Technology™**

Sloan® SFSM flushometers are equipped with Smart Sense Technology™, which applies extended range and logic techniques to significantly reduce water usage in high use urinal applications, such as when a continuous line of people (or queue) forms. In fact, during a continuous queue, regardless of the number of users, the maximum amount of water used is only 2.5 gallons, assuming a 0.5 gpf diaphragm kit. Please contact Sloan for specific details.

▶ **Automatic Operation**

Sloan's SFSM flushometers are activated via multi-lobular infrared sensor. The sensor sets the flushing mechanism when the user is detected and Completes the flush when the user steps away.

▶ **Manual Operation**

Sloan's SFSM flushometers can also be activated manually by pushing the black TMO button.

▶ **Hygienic**

Touchless, sensor activation eliminates the need for user contact to help control the spread of infectious diseases. The Sloan DFSM Electronic Retrofit Units are provided with Reduced or Full Flush Override Buttons to allow a "courtesy flush" for individual user comfort. The 72-Hour Sentinel Flush keeps fixture fresh during periods of nonuse.

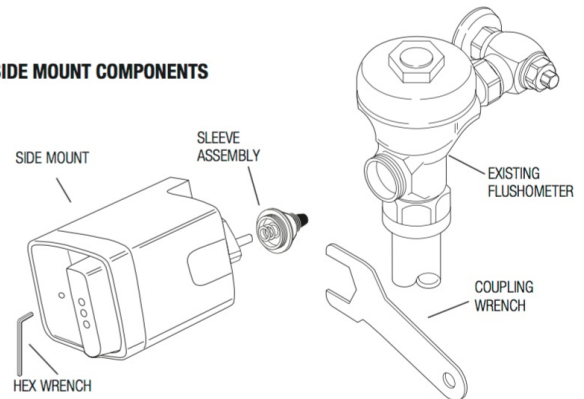
▶ **Compliance & Certifications**



This space for Architect/Engineer Approval

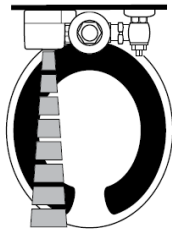
► SIDE MOUNT COMPONENTS

SIDE MOUNT COMPONENTS

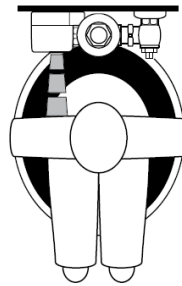


► OPERATION

1. A continuous, invisible light beam is emitted from the object lock infrared sensor.

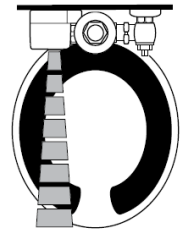


2. As the user enters the beam's effective range, 22" - 42" (559 mm to 1067 mm), the beam is reflected into the scanner window to activate the output circuit. Once activated, the output circuit continues in a "hold" mode for as long as the user remains within the effective range of the sensor. If the user stays less than 60 seconds, a reduced flush will automatically initiate when the user leaves.



If the user stays longer than 60 seconds, a full flush will automatically initiate when the user leaves.

3. When the user steps away from the infrared sensor, the circuit initiates the flushing cycle to flush the fixture. The circuit then automatically resets and is ready for the next user.



► ROUGH-IN

EBV-500-A Single-Flush Side Mount unit shown on an existing Royal® Model 111 Closet Flushometer

