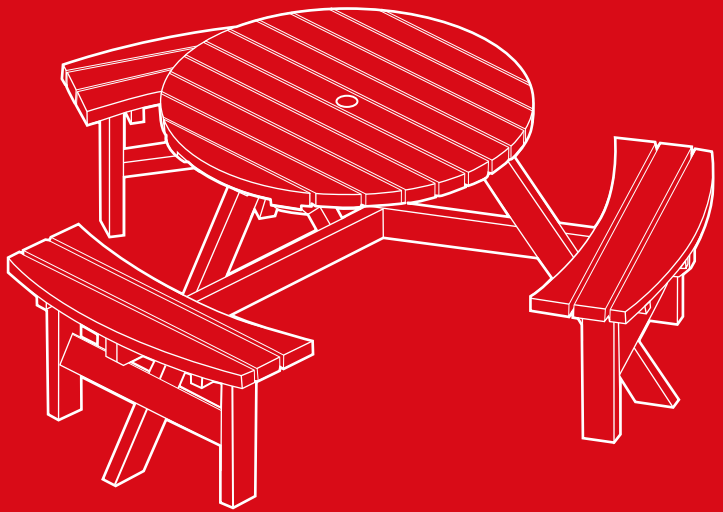




BEST CHOICE
PRODUCTS



INSTRUCTION MANUAL

6-Person Wooden Picnic Table

! NOTICE

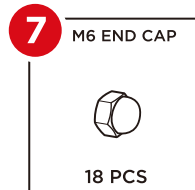
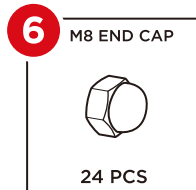
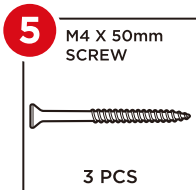
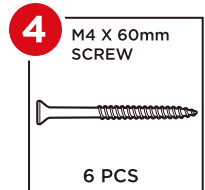
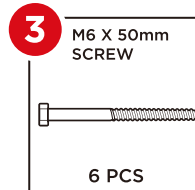
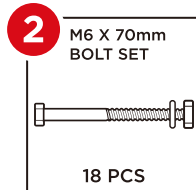
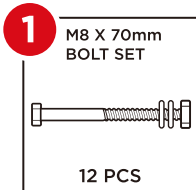
Please retain these instructions for future reference.

- Please do not exceed the weight limitations of this item.
- Do not stand on or use any part of this item as a step ladder.
- Firmly secure all bolts, screws, or knobs before use.
- Reconfirm that all bolts, screws, or knobs are secure every 90 days.
- Fasten screws loosely during initial assembly. Do not firmly tighten the screws until the item is completely assembled.
- Do not use or store this item in the proximity of open flame or flammable/combustible chemicals.
- Be aware that some parts are heavy and have sharp edges.
- Assemble and use this item on a flat, level, and stable surface.
- When using an umbrella with this item, a weighted base is recommended.
- Do not use an umbrella base whose overall height exceeds 13 inches or whose pole diameter exceeds 2 inches.
- If any parts are missing, broken, damaged, or worn, stop using this product until repairs are made and/or factory replacement parts are installed.
- Do not use this item in a way inconsistent with the manufacturer's instructions as this could void the product warranty.
- This product is intended for residential use only.

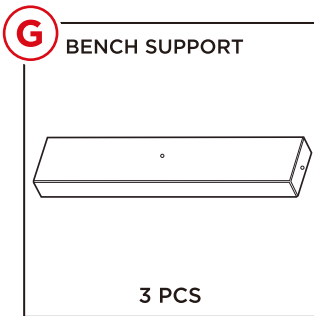
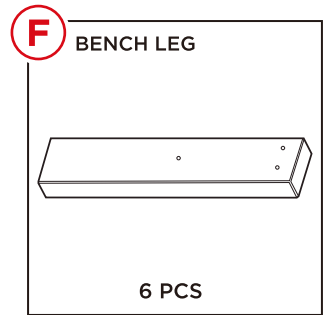
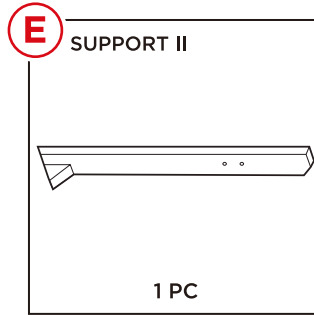
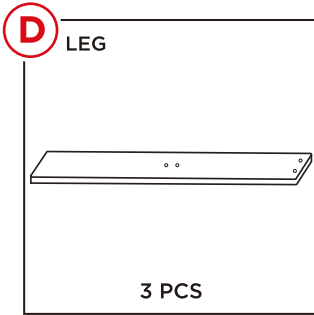
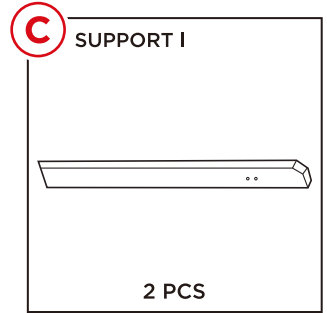
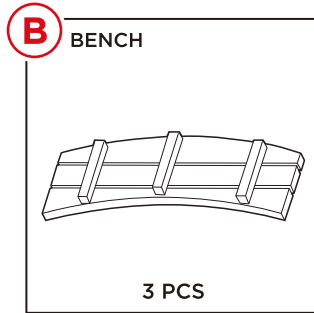
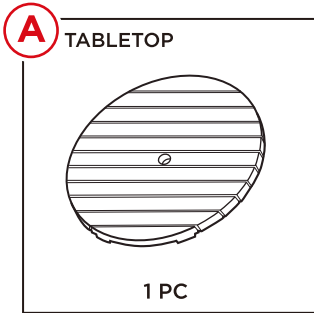
TOOLS REQUIRED



HARDWARE



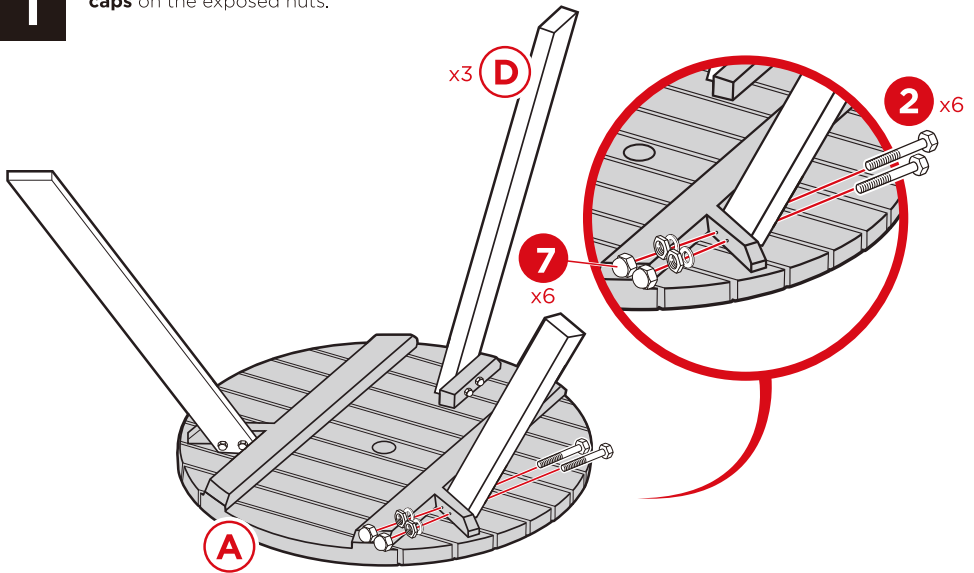
PARTS



PRODUCT ASSEMBLY

1

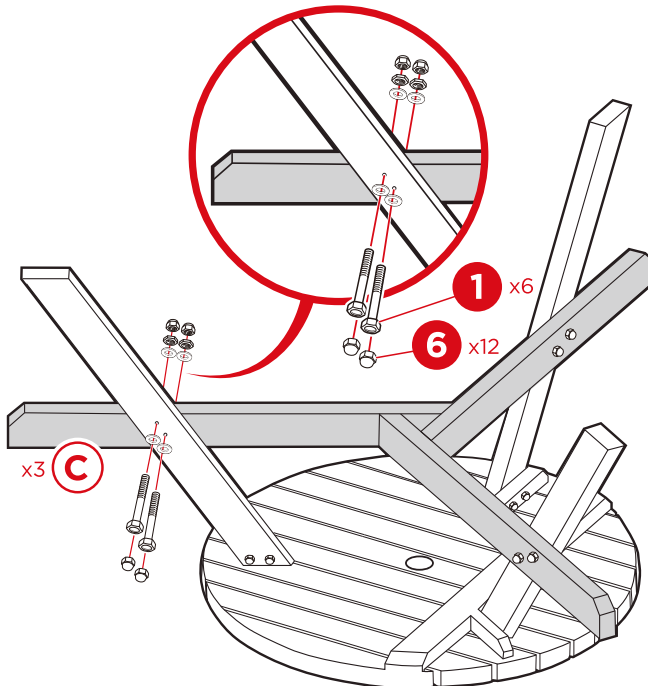
Attach three **part D legs** to the **part A tabletop** with six **part 2 bolt sets**. Place **six part 7 end caps** on the exposed nuts.



2

Attach one **part C support** to two of the **part D legs** with two **part 1 bolt sets** each. Attach one **part E support** to the remaining **part D leg** with two **part 1 bolt sets**.

Place six **part 6 end caps** on the exposed nuts.

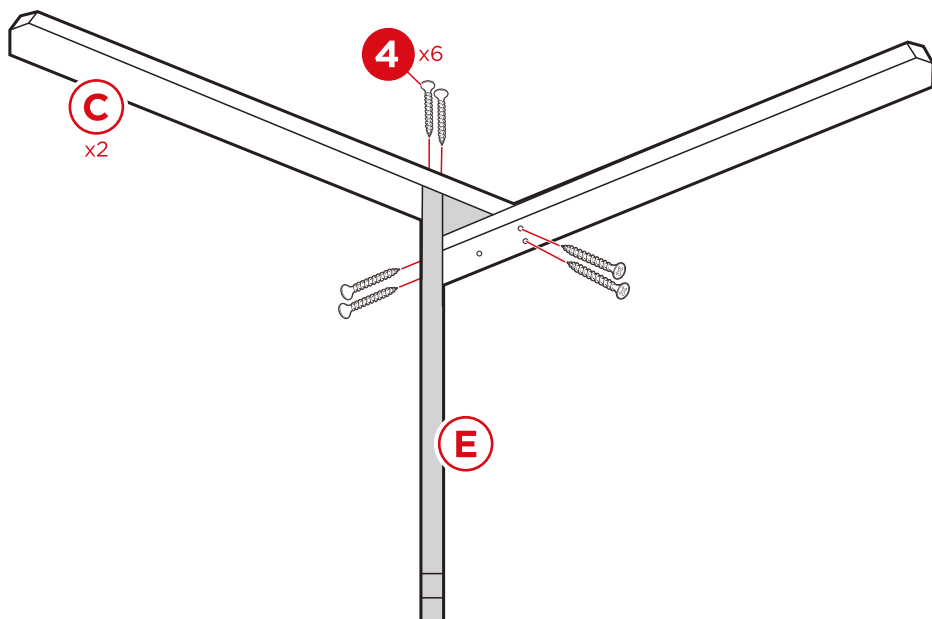


PRODUCT ASSEMBLY

3

Join the two **part C and E supports** together with six **part 4 screws**.

NOTE: It is recommended that one person hold the supports together while a second person inserts the screws.

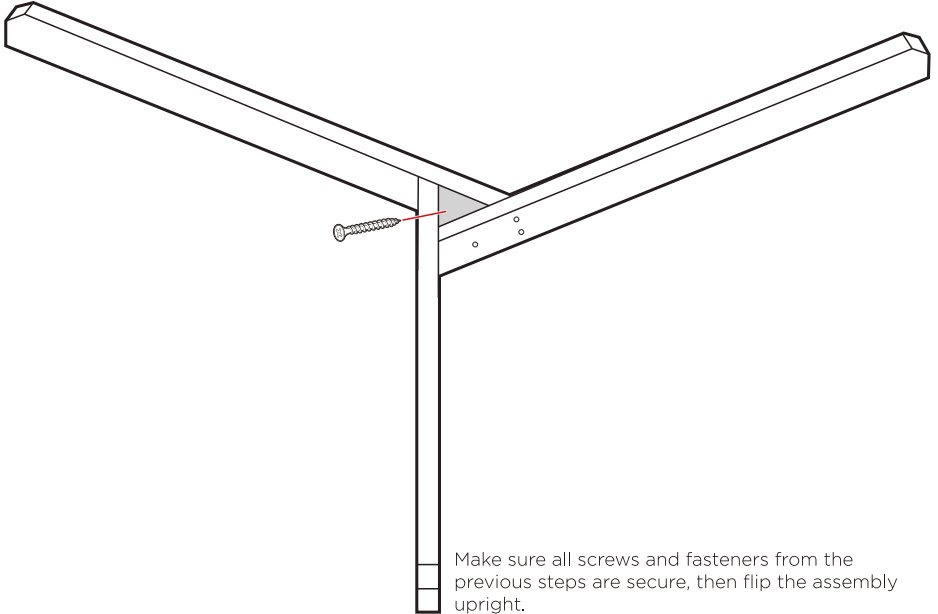


PRODUCT ASSEMBLY

4

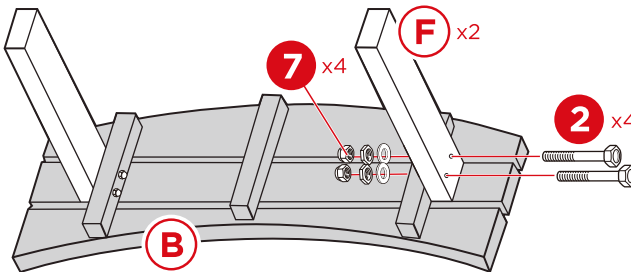
Remove the connector screw from the **part E support** to remove the triangular spacer, then tap the spacer until it is dislodged.

NOTE: This spacer is only in place to properly align the three supports, it must be removed to properly use the umbrella hole. Discard the screw and spacer after removal.



5

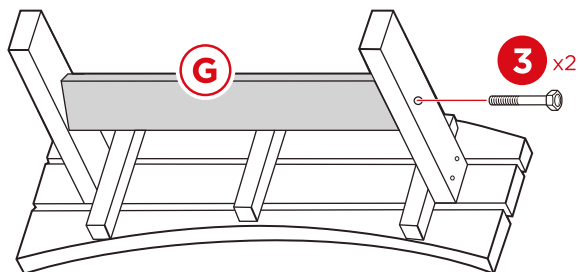
Attach two **part F bench legs** to a **part B bench** with four **part 2 bolt sets**. Place four **part 7 end caps** on the exposed nuts.



PRODUCT ASSEMBLY

6

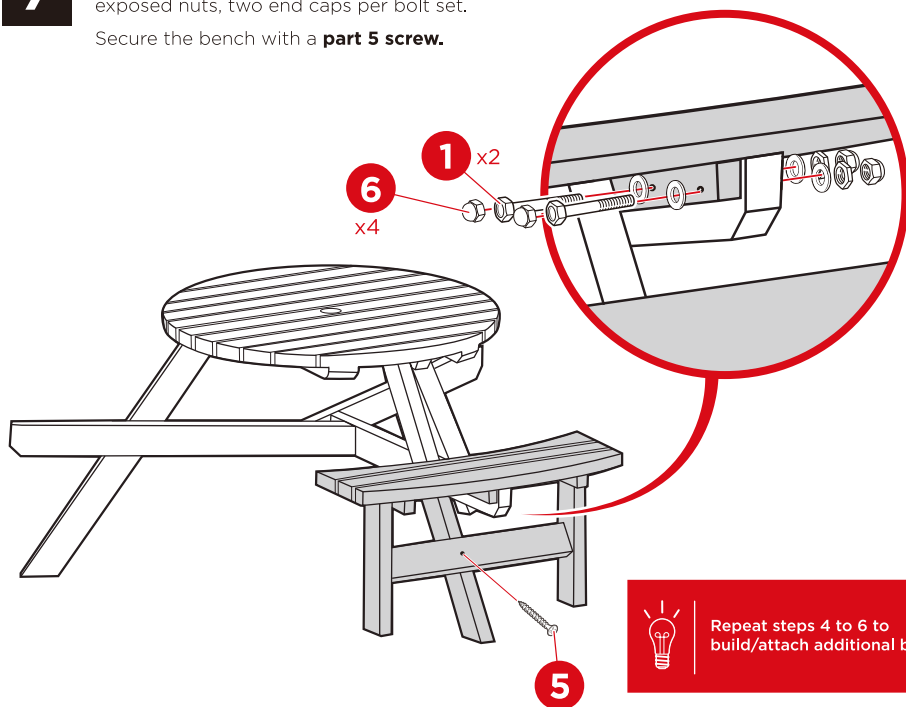
Attach a **part G bench support** with two **part 3 screws**.



7

Attach the bench to the table with two **part 1 bolt sets**. Place four **part 6 end caps** on the exposed nuts, two end caps per bolt set.

Secure the bench with a **part 5 screw**.



Repeat steps 4 to 6 to build/attach additional benches.



HELP CENTER



Question about your product? We're here to help. Visit us at:

help.bestchoiceproducts.com



Chat Support



Product Inquiry



Orders FAQ



Product Assembly



Returns & Refunds

PRODUCT WARRANTY INFORMATION

All items can be returned for any reason within 60 days of the receipt and will receive a full refund as long as the item is returned in its original product packaging and all accessories from its original shipment are included. All returned items will receive a full refund back to the original payment method. All returned items will not be charged a re-stocking fee.

All returned items require an RA (Return Authorization) number, which can only be provided by a Best Choice Products Customer Service Representative when the return request is submitted. Items received without an RA may not be accepted or may increase your return processing time. Once an item has been received by Best Choice Products, refunds or replacements will be processed within 5 business days.

All returns must be shipped back to the Best Choice Products Return Center at the customer's expense. If the reason for return is a result of an error by Best Choice Products then Best Choice Products will provide a pre-paid shipping label via email. Boxes for return shipping will not be provided by Best Choice Products, and is the customer's responsibility to either use the original shipping boxes or purchase new boxes.

Pictures may be required for some returns to ensure an item is not damaged prior to its return. Items returned are not considered undamaged until they are received by Best Choice Products and verified as such. All damages to items are the customer's responsibility until the item has been received by and acknowledge by Best Choice Products as undamaged.



WARNING

Manufacturer and seller expressly disclaim any and all liability for personal injury, property damage or loss, whether direct, indirect, or incidental, resulting from the incorrect attachment, improper use, inadequate maintenance, or neglect of this product.