

## Greenwich™ | K-2032-NR

20-3/4" x 18-1/4" wall-mount/concealed arm carrier bathroom sink with 4" centerset faucet holes, no overflow and right-hand soap dispenser hole

### Features

- Made from premium materials that withstand high-volume usage
- 20-3/4"L x 18-1/4"W
- 4" center drilling
- Includes wall hanger
- With sealed overflow and soap dispenser drilling on right



### Sustainability



### Available Colors/Finishes

*Color tiles intended for reference only.*

- 0 White



## Codes/Standards

ADA compliant when installed to the specific requirements of these regulations.

ADA

ASME A112.19.2/CSA B45.1

ADA

ICC/ANSI A117.1

## Technical Information

Number of Deck Holes:	4
Faucet Hole(s) Size:	1-1/4" (32 mm)
Center(s):	4" (102 mm)
With Overflow:	Yes
Soap/Lotion Hole Size:	1-1/4" (32 mm)
Drain Hole Diameter:	1-3/4" (44 mm)
Basin Configuration:	Single Bowl
Basin Length:	10" (254 mm)
Basin Width:	15" (381 mm)
Basin Depth:	11-1/8" (283 mm)

## Material

- Vitreous china

## Recommended Products/Accessories

K-23726 Drain treatment

K-8998 Adjustable P-trap with tubing outlet, 1-1/4" x 1-1/4"

K-23725 Cast iron cleaner

## Warranty

See website for detailed warranty information.

KOHLER® Vitreous China Bathroom Sink Lifetime Limited Warranty

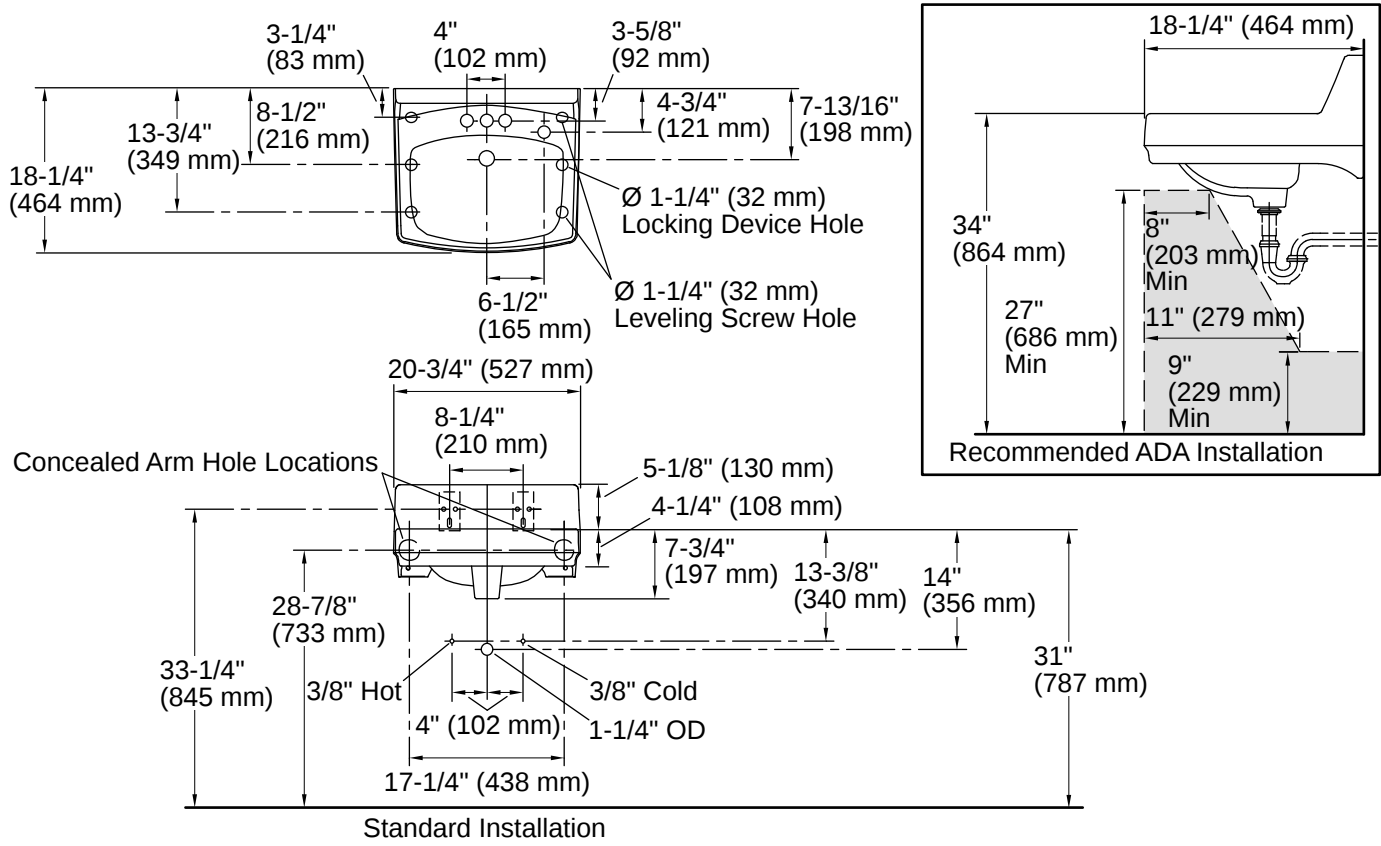


1-800-4KOHLER (1-800-456-4537)

Kohler Co. reserves the right to make revisions without notice to product specifications.

For the most current specification sheet, go to [www.kohler.com](http://www.kohler.com) USA or [www.kohler.ca](http://www.kohler.ca) Canada.

4-13-2026 13:2 - US-CA



## Installation

- Wall-mount

## Installation Notes

*Install this product according to the installation instructions.*

Product dimensions are nominal and may vary per ASME A112.19.2 tolerances.

ADA compliant when installed to the specific requirements of these regulations.

