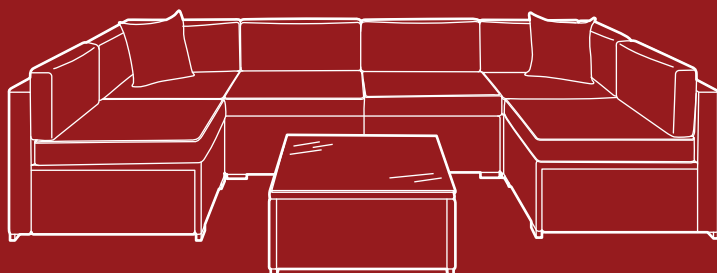




BEST CHOICE  
PRODUCTS



# INSTRUCTION MANUAL

---

## 7-Piece Wicker Sectional

SKY1926 + SKY1939 + SKY5724 + SKY5725 + SKY5726 + SKY5727  
SKY5952 + SKY6197 + SKY6401 + SKY7211 + SKY7212 + SKY7277  
SKY7544 + SKY7545 + SKY7546 + SKY7547 + SKY7548 + SKY7549  
SKY7550 + SKY7551 + SKY7552 + SKY7553 + SKY7554 + SKY7555  
SKY7556 + SKY7557 + SKY7558 + SKY7559 + SKY7560



**WARNING:** Item is heavy; be careful not to accidentally place on feet when moving the base.

**NOTICE** Please retain these instructions for future reference.

- Please do not exceed the weight limitations of this item.
- Do not stand on or use any part of this item as a step ladder.
- Firmly secure all bolts, screws and knobs before use.
- Reconfirm that all bolts, screws, and knobs are secure every 90 days.
- Do not use or store this item in the proximity of open flame or flammable/combustible chemicals.
- Be aware that some parts are heavy and have sharp edges.
- If any parts are missing, broken, damaged, or worn, stop using this product until repairs are made and/or factory replacement parts are installed.
- Do not use this item in a way inconsistent with the manufacturer's instructions as this could void the product warranty.
- This product is intended for residential use only.

## TOOLS REQUIRED



TABLE  
130 LBS  
CAPACITY



CHAIR  
360 LBS  
CAPACITY



## HARDWARE

**1** M6 WASHER

100 PCS

**2** M6 x 50mm BOLT

46 PCS

**3** M6 x 30mm SCREW

8 PCS

**4** M6 NUT

46 PCS

**5** CLAMP

10 PCS

## PARTS

**A** CORNER BACKREST

2 PCS

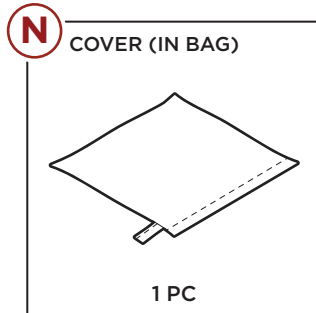
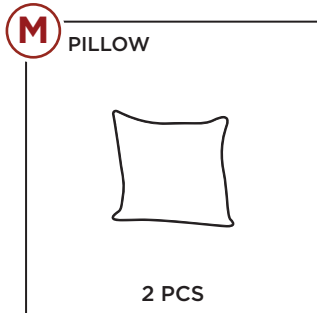
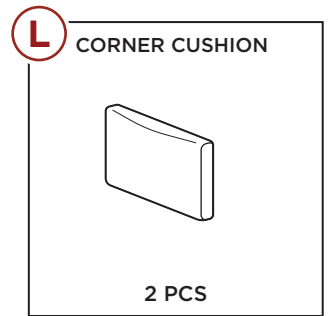
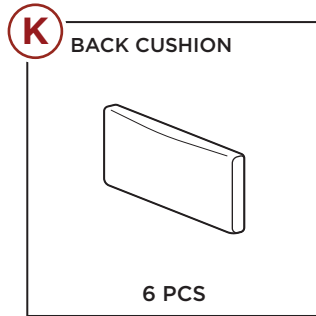
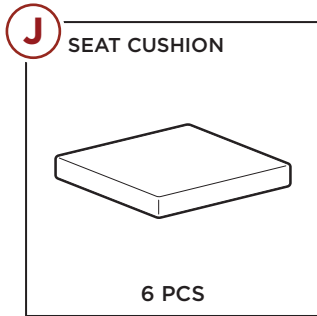
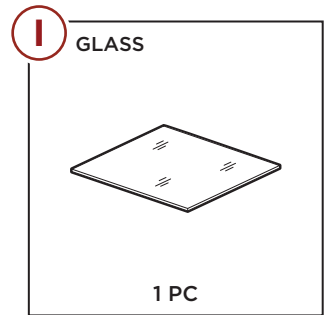
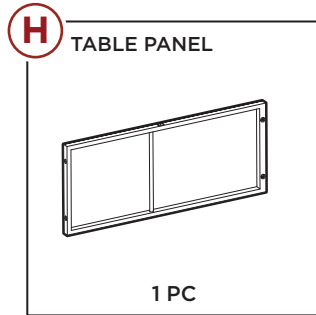
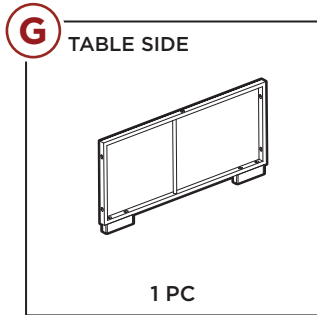
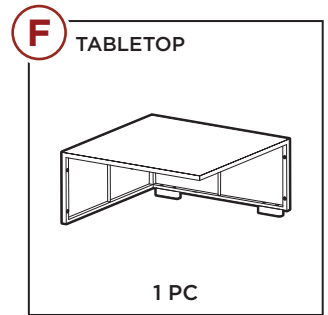
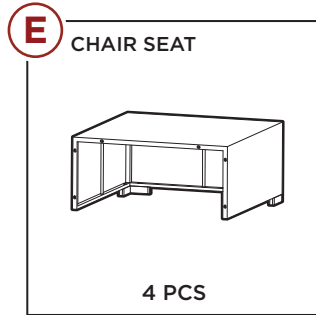
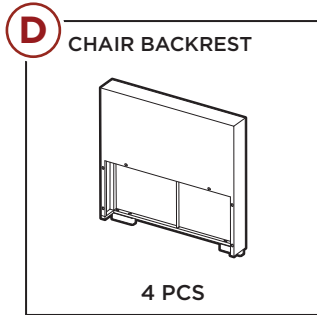
**B** CORNER SIDE

2 PCS

**C** CORNER SEAT

2 PCS

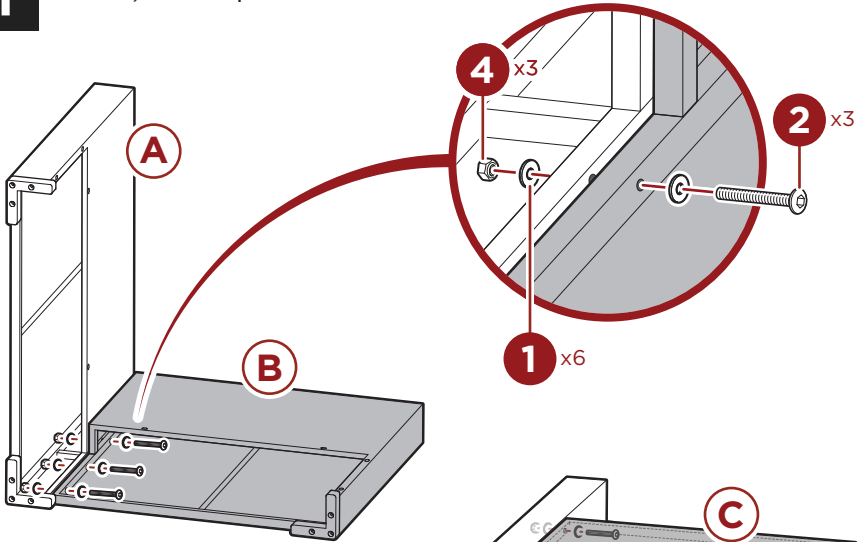
# PARTS



## PRODUCT ASSEMBLY - CORNER CHAIR

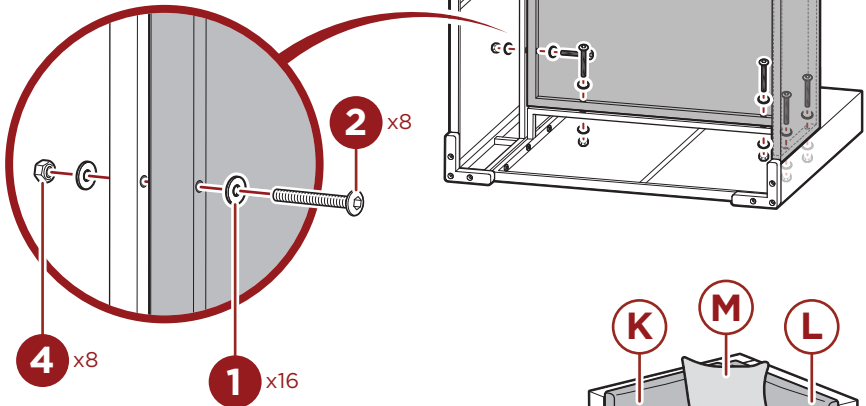
1

Attach **part B** corner side to **part A** corner backrest with three **part 2** bolts, six **part 1** washers, and three **part 4** nuts.



2

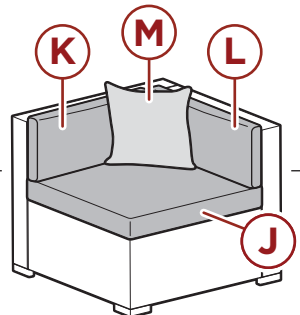
Attach **part C** corner seat with eight **part 2** bolts, sixteen **part 1** washers, and eight **part 4** nuts.



3

Place a **part J** seat cushion, **part K** back cushion, **part L** corner cushion, and **part M** pillow.

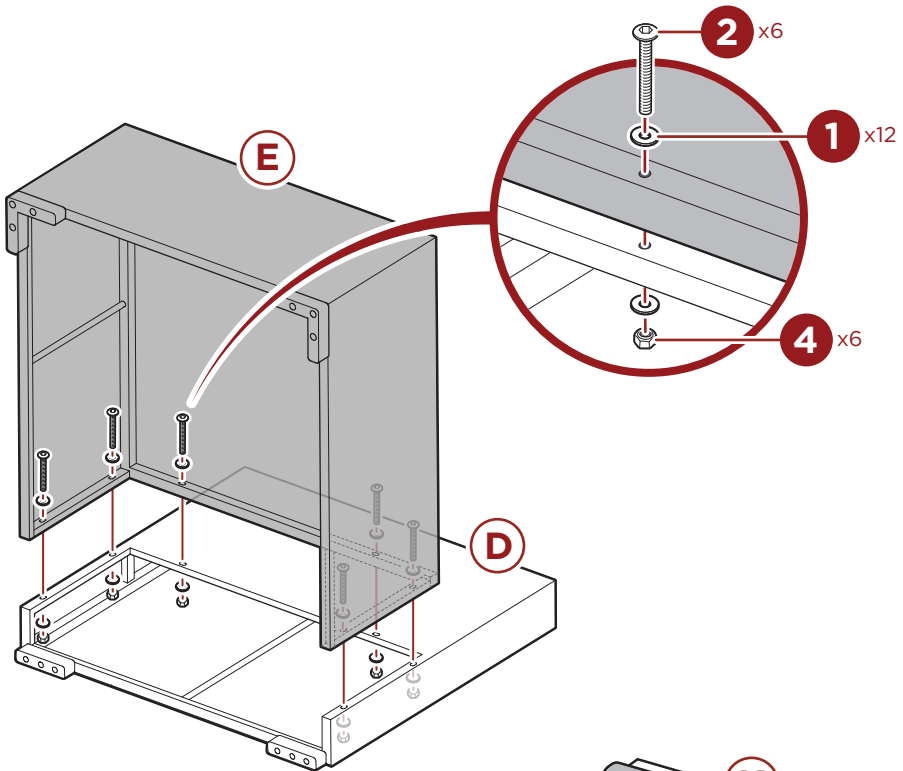
Repeat steps to build an additional corner chair.



## PRODUCT ASSEMBLY - CHAIR

1

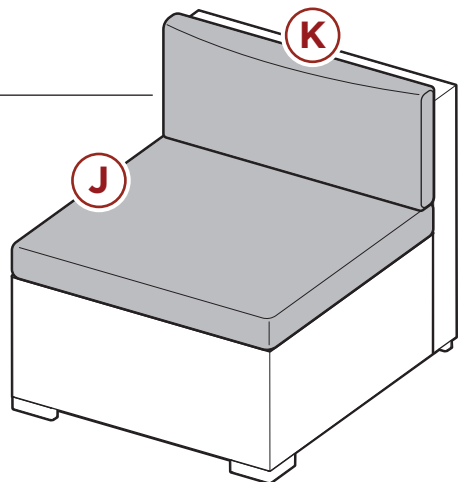
Attach **part E** chair seat to **part D** chair backrest with six **part 2** bolts, twelve **part 1** washers, and six **part 4** nuts.



2

Place a **part J** seat cushion and **part K** back cushion.

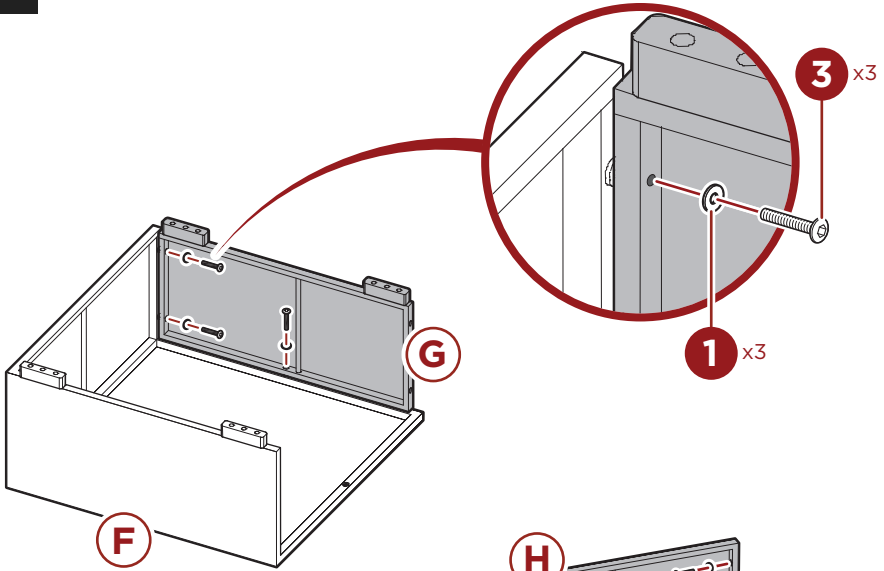
Repeat steps to build three additional chairs.



## PRODUCT ASSEMBLY - TABLE

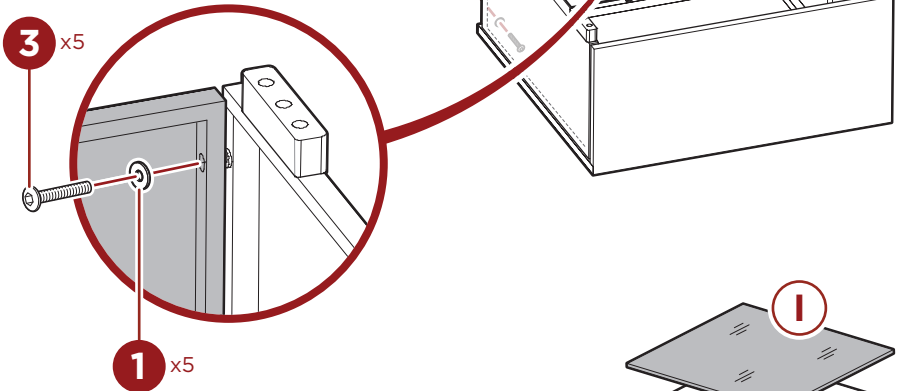
1

Attach **part G** table side to **part F** tabletop with three **part 3** screws and three **part 1** washers.



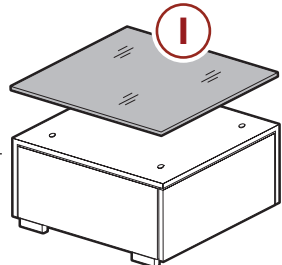
2

Attach **part H** table panel with five **part 3** screws and five **part 1** washers.



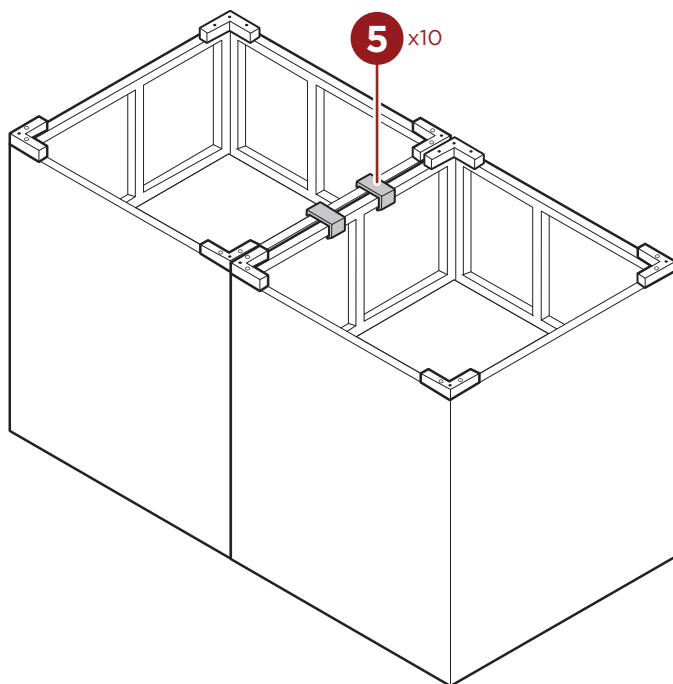
3

Place the **part I** glass.



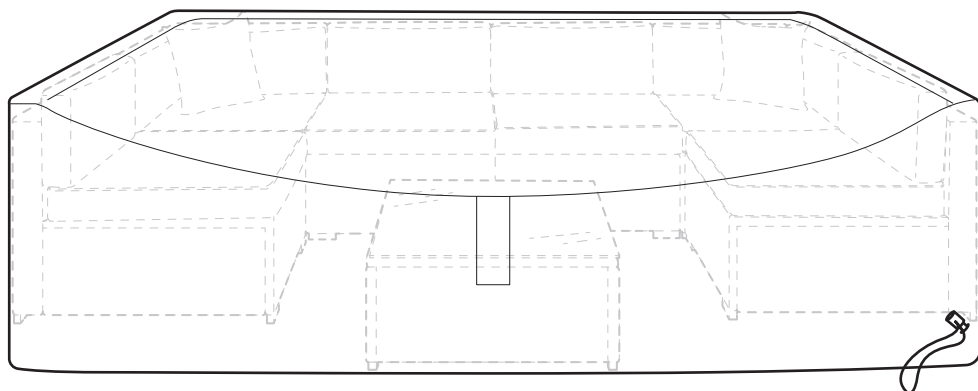
## SECURING CLAMPS

Use ten **part 5 clamps** to secure chairs and corner chairs together to form the sectional.  
Use two clamps per section, where the chairs meet together.



## STORAGE

If unused for an extended period, protect sectional with the cover.  
Tighten drawstring to secure cover.





# HELP CENTER



Question about your product? We're here to help. Visit us at:

[help.bestchoiceproducts.com](http://help.bestchoiceproducts.com)



Chat Support



Product Inquiry



Orders FAQ



Product Assembly



Returns & Refunds

## PRODUCT WARRANTY INFORMATION

All items can be returned for any reason within 60 days of the receipt and will receive a full refund as long as the item is returned in its original product packaging and all accessories from its original shipment are included. All returned items will receive a full refund back to the original payment method. All returned items will not be charged a re-stocking fee.

All returned items require an RA (Return Authorization) number, which can only be provided by a Best Choice Products Customer Service Representative when the return request is submitted. Items received without an RA may not be accepted or may increase your return processing time. Once an item has been received by Best Choice Products, refunds or replacements will be processed within 5 business days.

All returns must be shipped back to the Best Choice Products Return Center at the customer's expense. If the reason for return is a result of an error by Best Choice Products then Best Choice Products will provide a pre-paid shipping label via email. Boxes for return shipping will not be provided by Best Choice Products, and is the customer's responsibility to either use the original shipping boxes or purchase new boxes.

Pictures may be required for some returns to ensure an item is not damaged prior to its return. Items returned are not considered undamaged until they are received by Best Choice Products and verified as such. All damages to items are the customer's responsibility until the item has been received by and acknowledged by Best Choice Products as undamaged.

© Best Choice Products, Inc. All rights reserved. Distributed by Best Choice Products, Inc. Tustin, CA 92780

## WARNING

Manufacturer and seller expressly disclaim any and all liability for personal injury, property damage or loss, whether direct, indirect, or incidental, resulting from the incorrect attachment, improper use, inadequate maintenance, unapproved modification, or neglect of this product.