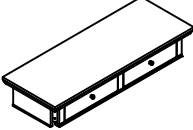

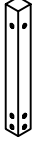




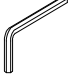



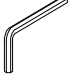

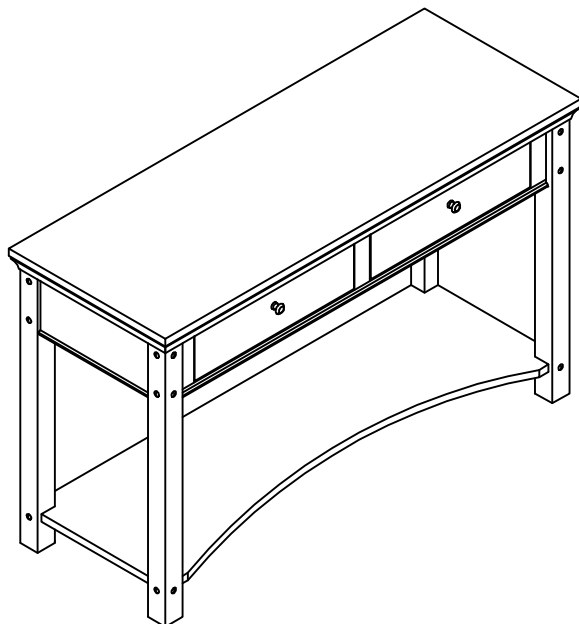


ASSEMBLY INSTRUCTION

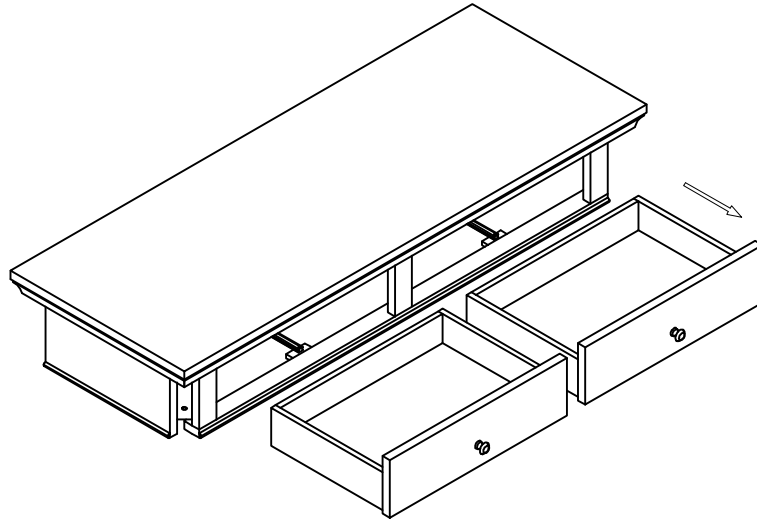
074-05 2-DRAWER SOFA TABLE

A Top Panel 	B Bottom Shelf 	C Metal Leg 	D Bolt-Big $\phi 1/4" \times 1-3/4"$ 
E Bolt-Small $\phi 1/4" \times 5/8"$ 	F Spring Washer $1/4"$ 	G Flat Washer $1/4" \times 16\text{mm}$ 	H Wrench 4mm 
I Iron Bracket 	J Spring Washer $1/4"$ 	K Flat Washer $1/4" \times 16\text{mm}$ 	L Wrench 4mm 
M Iron Bracket 			

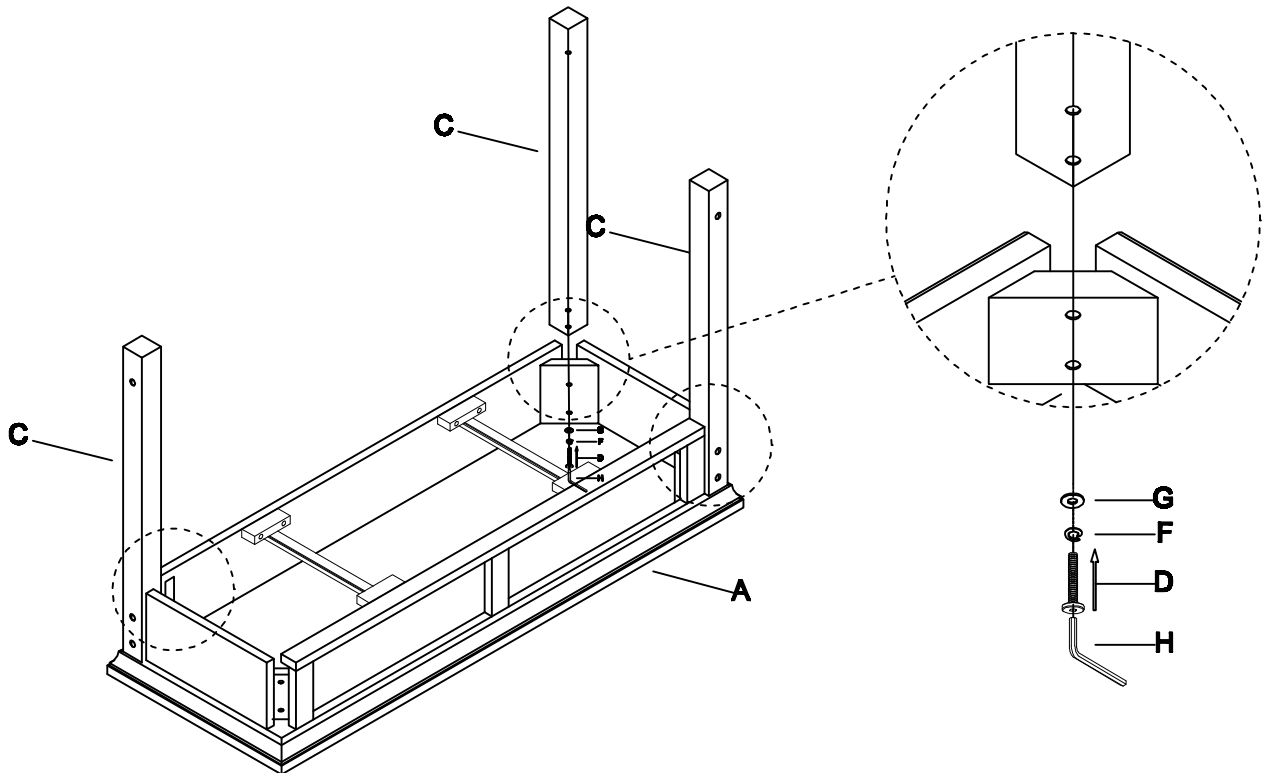


This page lists all the contents included in the box. Please take the time to identify the hardware as well as the individual components to this product. As you unpack and prepare for assembly, place the contents on a carpeted or padded area to protect them from damage.

1 Pull out the drawer from Top Panel (A).

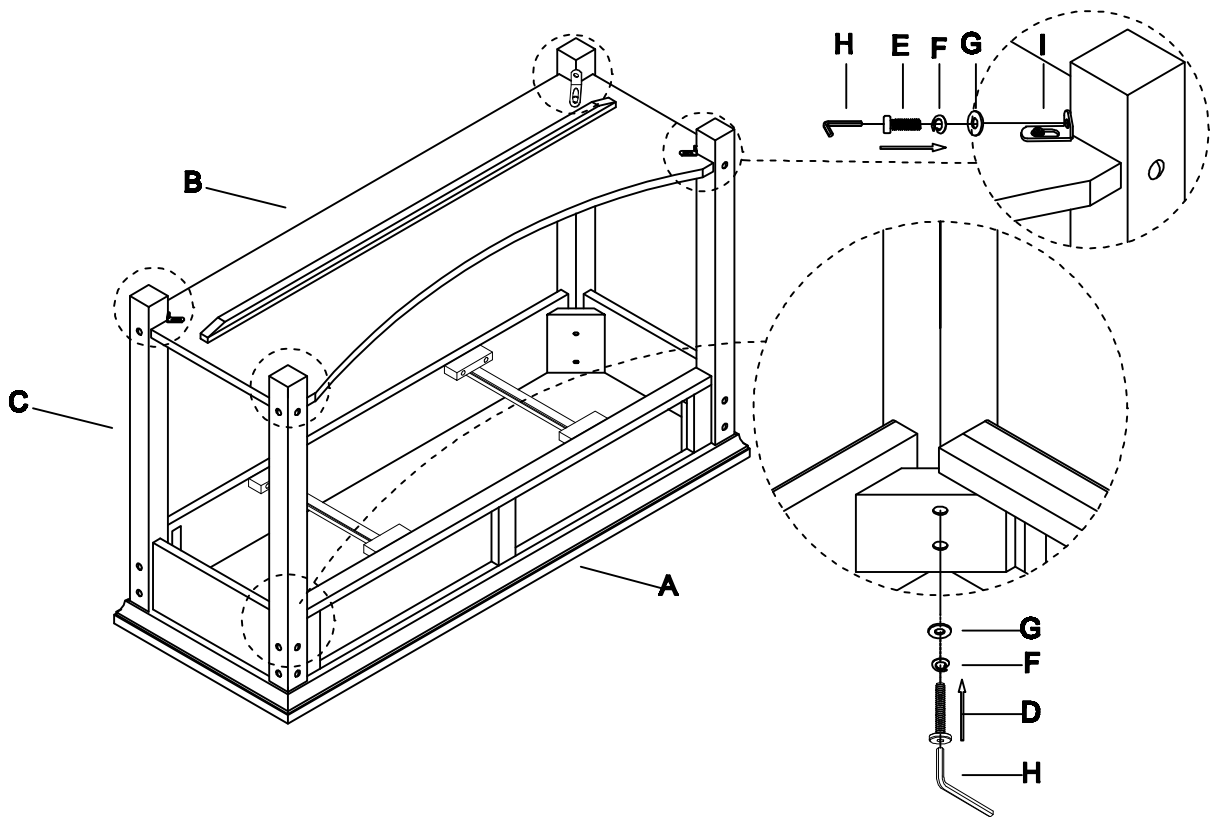


2 Attach 3pcs Metal Leg (C) to Top Panel (A) using Bolt-Big (D), Spring Washer (F), Flat Washer (G) by Wrench (H).

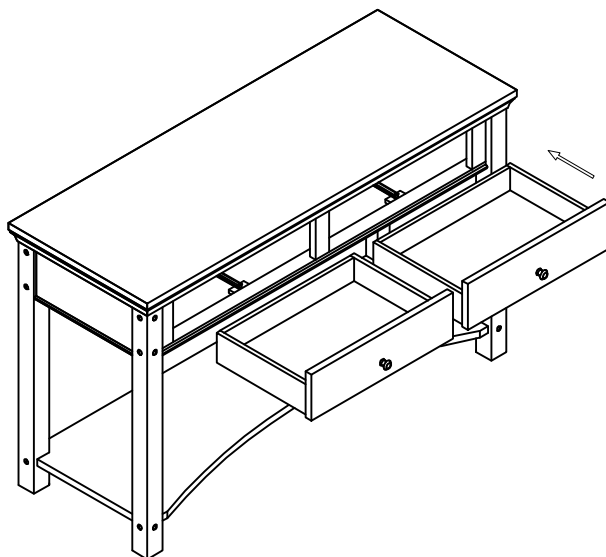


3

Attach the Bottom Shelf (B) onto the 3pcs Metal Leg (C) using Bolt-Small (E), Spring Washer (F), Flat Washer (G), Iron Bracket (I) by Wrench (H). Then attach the 4th Metal Leg (C) to both Bottom Shelf (B) and Top Panel (A) by the same method. Finally lock them up to 100%.

**4**

Turn over the table and put the drawers in.



Cleaning & Care

Treat surface with care. Surface is resistant to scratches but is not scratch resistant. Clean surfaces with a dry or damp soft cloth. Do not use abrasive cleaners. Hardware may loosen over time. Periodically check that all connections are tight.