

Let's get this fire started

PORTABLE FIRE PIT SCREEN, POKER
AND HEAT DEFLECTOR USER GUIDE

TIKI
BRAND
fire pit
& WOOD PACK

Table of contents

Safety	3
Fire Poker	3
Screen	4
Heat Deflector	5
Assembly & Use	6
Fire Poker	6
Screen	7
Heat Deflector	9
Accessories Storage	10
Frequently Asked Questions	11
Warranty	14



Accessory safety

⚠WARNING: DO NOT use TIKI® Brand Fire Pit Accessories until you have read the operating instructions and safety warnings. Failure to do so can cause death, serious injury or property damage.

- Keep Fire Pit accessories out of the reach of children. Accessories should only be used by adults.
- Fire Pit Accessories should only be used with TIKI® Brand Fire Pit products only.

Fire Poker safety

- Ensure that the Fire Pit handle and poker ends are securely attached prior to use.
- DO NOT touch the Fire Pit Poker's end while hot. Only handle the Fire Pit Poker by the intended handle.
- DO NOT use the Fire Pit Poker for anything other than to tend to or operate the TIKI® Brand Fire Pit.
- DO NOT use the Fire Pit Poker if it is damaged or broken.
- DO NOT leave the Fire Pit Poker in the fire.
- DO NOT place the Fire Pit Poker when hot onto combustible surfaces such as grass, a wooden deck, furniture, etc.



Screen safety

- The Fire Pit Screen and the Fire Pit Screen handle can reach extreme temperatures from the fire and will cause injury to an unprotected hand.
- The Fire Pit Screen and Fire Pit Screen handle should only be handled with the use of heat-resistant gloves or the Fire Pit Poker.
- DO NOT place the bottom piece of the Fire Pit Screen on Fire Pit when in use. The bottom piece of the Fire Pit Screen should be in place prior to starting a fire.
- DO NOT place a hot Fire Pit Screen onto combustible surfaces such as grass, a wooden deck, furniture, etc.
- It's recommended that the Fire Pit Screen be used at all times when the Fire Pit is in use.
- Inspect and clean the Fire Pit Screen on a regular basis with soap water. DO NOT use flammable, harsh or abrasive chemicals to clean the Fire Pit Screen.
- After a period of storage or non-use, check for signs of damage or creosote build-up prior to use. DO NOT use until necessary repairs and/or cleanup are executed.
- DO NOT cover the Fire Pit Screen when in use or until the Fire Pit Screen has completely cooled down.



Screen safety cont.

- Always use the Fire Pit Screen in accordance with all applicable local, state, federal, and national codes. Contact your local fire department for more details.

NOTE: Refer to page 3 for additional safety instructions

Heat Deflector safety

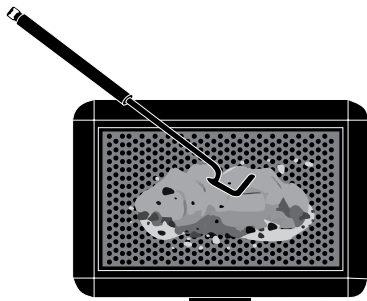
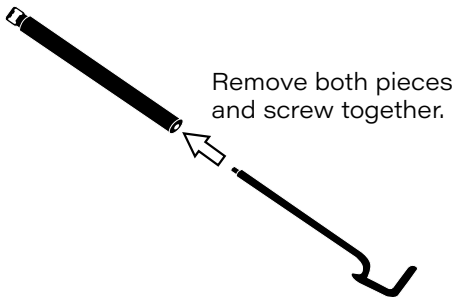
- The Fire Pit Heat Deflector will become hot when in use. It must be allowed 12 hours to cool before handling.

NOTE: Refer to page 3 for additional safety instructions



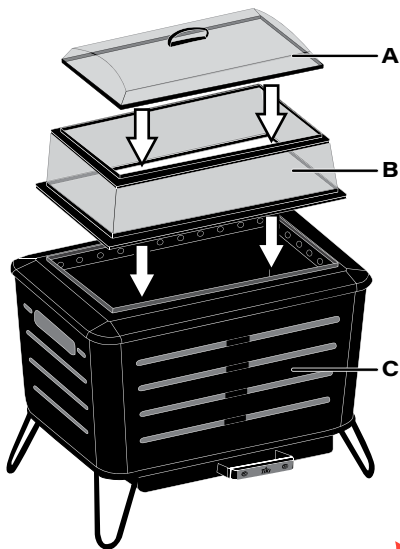
Fire Poker

assembly & use



Use the poker to adjust firewood for optimal air flow. After the pit has cooled, use the poker to scrape any remaining ash and debris through the grate and into the ash pan for easy clean-up.

Screen assembly & use

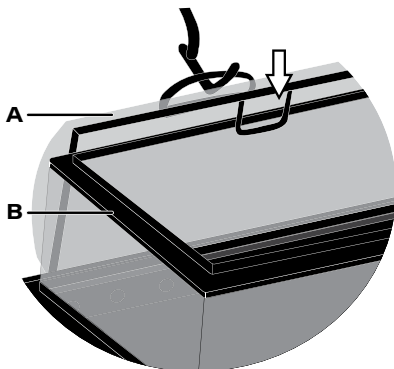


Place both top (A) and bottom (B) pieces of the screen on the Fire Pit (C). Ensure that they are securely nested.

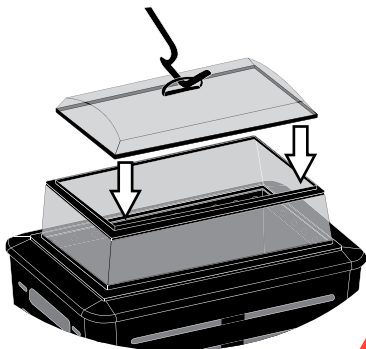
NOTE: Screen bottom piece should be in place prior to starting a fire.



Screen assembly & use

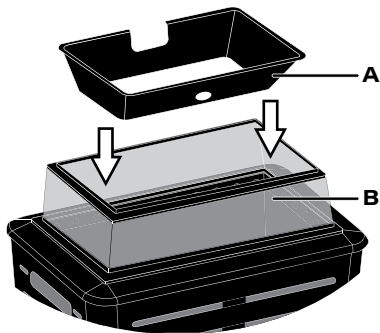


To add an additional Wood Pack or firewood, remove the top piece (A) of the screen with the included poker (see page 6 for assembly), and gently hang on the side of the bottom piece (B).

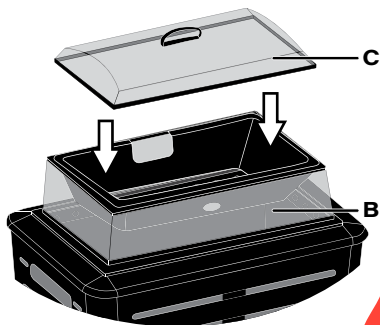


After a Wood Pack or firewood has been added, place the top piece back on with the poker. Ensure that it is securely nested.

Heat Deflector assembly & use



Set the lower screen (B) on the top ring of the Fire Pit. Place the heat deflector (A) inside the lower screen.

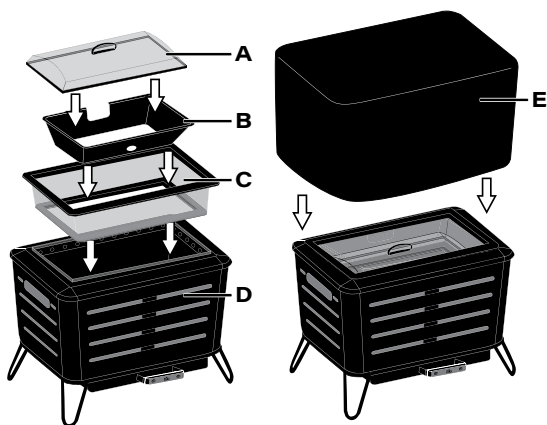


Light your TIKI® Brand Wood Pack or natural cut firewood. Place the upper screen (C) on top of the lower screen (B).



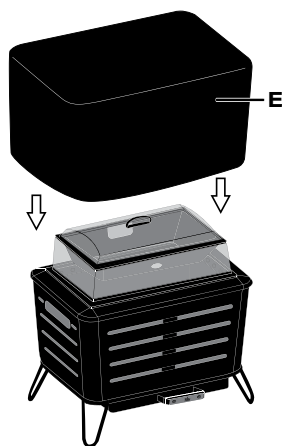
Accessories storage

OPTION 1



When the Fire Pit is not in use, you may nest the accessories inside Fire Pit. First, invert the lower screen (C) and place it inside the Fire Pit (D). Next, put the heat deflector (B) right-side up in the inverted lower screen (C). Place the upper screen (A) on top. Finally, place the cover (E) (included with the Fire Pit purchase), over the top.

OPTION 2



If you do not wish to nest the pieces you may also simply place the cover (E) (included with the Fire Pit purchase) over to help protect your screen, heat deflector and Fire Pit from the elements.

PORTABLE PIT
ACCESSORIES



Fire Poker

frequently asked questions

What is the handle of the poker made out of?

The poker is made of 304 stainless steel.

Can I use the poker for cooking?

No.

Screen

frequently asked questions

Can I use the screen with other fire pits?

The screen is only designed for use with TIKI® Brand Fire Pit.

Where can I store my screen when not in use?

The screen can be flipped over and nested within the Fire Pit when completely cooled. Put included vinyl cover over for protection.

Can I use the bottom piece of the screen without the top?

Yes. This is a great option for s'more making! Beware that using in this way will not protect from all sparks and embers.



Heat Deflector

frequently asked questions

How long should I let the deflector cool prior to removing from the fire pit?

You should allow the heat deflector to cool for 12 hours before removing it from the fire pit.

How should I clean my heat deflector?

The heat deflector will develop soot on the surface after the first couple of burns, which is normal. Cleaning of the deflector is not recommended, as it will be difficult to remove all soot and will continue to collect soot after continued direct flame exposure.

How can I store my heat deflector?

Invert the lower screen and place it inside the Fire Pit. Next, put the heat deflector right-side up in the inverted lower screen. Place the upper screen on top. If you own the stainless-steel tabletop, it can be placed on top, along with the vinyl cover.

Is the screen required to use the heat deflector?

Yes, the heat deflector must be inserted in the lower screen for use.

Can the deflector be used with Wood Packs and cord wood?

Yes, the heat deflector can be used with both Wood Packs and cord wood.



Heat Deflector

frequently asked questions

Can I use the heat deflector with the lower screen and not the upper screen?

Yes, the heat deflector can be used without the upper screen. However, for the screen to effectively keep sparks and embers from escaping the fire, it is recommended that the upper screen be used.

How should I remove the heat deflector from the screen?

After cooling down, the heat deflector can be easily removed by hand. Or, if desired, a fire poker can be used by (1) lifting from the thru hole or (2) lifting from the bottom edge.

Am I able to refuel my fire with the heat deflector installed?

Yes. To refuel your fire, remove the upper screen with your fire poker and place additional fuel through the opening of the deflector.

Am I able to stoke my fire with the heat deflector installed?

Yes. To stoke your fire, remove the upper screen with your fire poker and hang it from its hook off the side of the deflector. The fire poker can then be used to stoke the fire. Place the upper screen back in position when finished.



Limited Warranty

Visit tikibrand.com/our-guarantee or contact us at 1-888-473-1088 for more information.

For information on patents go to tikibrand.com/patents

⚠WARNING: These products can expose you to chemicals including lead, which is known to the State of California to cause Cancer and birth defects or other reproductive harm. For more information go to www.P65warnings.ca.gov.

PORTABLE PIT
ACCESSORIES



Keep the fire going

FOR WOOD PACKS AND OTHER PRODUCTS
TO HELP YOU ENJOY YOUR FIRE,
VISIT [TIKIBRAND.COM](https://www.tiki.com)



USER GUIDE



TIKIBRAND.COM

4002228

©2022 Lamplight Farms Incorporated