

**SAFETY INFORMATION**

Please read and understand this entire manual before attempting to assemble, install or operate the product.

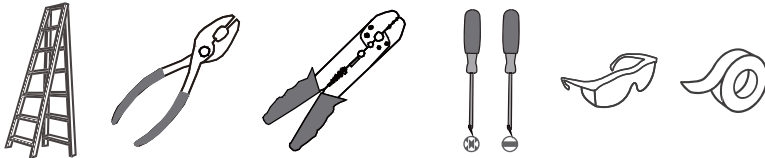
**WARNING**

- RISK OF ELECTRIC SHOCK - Before beginning installation, turn off electricity at the circuit breaker box or the main fuse box.
- RISK OF FIRE - Use bulbs specified by the markings and/or labels on the fixture.
- Use ONLY LED bulbs in this fixture. Incandescent and halogen lamps may cause severe thermal damage.

**CAUTION**

- For your safety, read instructions completely before beginning installation.
- If in doubt about electrical installation, consult a licensed electrician.
- Turn off electricity to fixture before replacing the bulb(s).

**TOOLS REQUIRED**

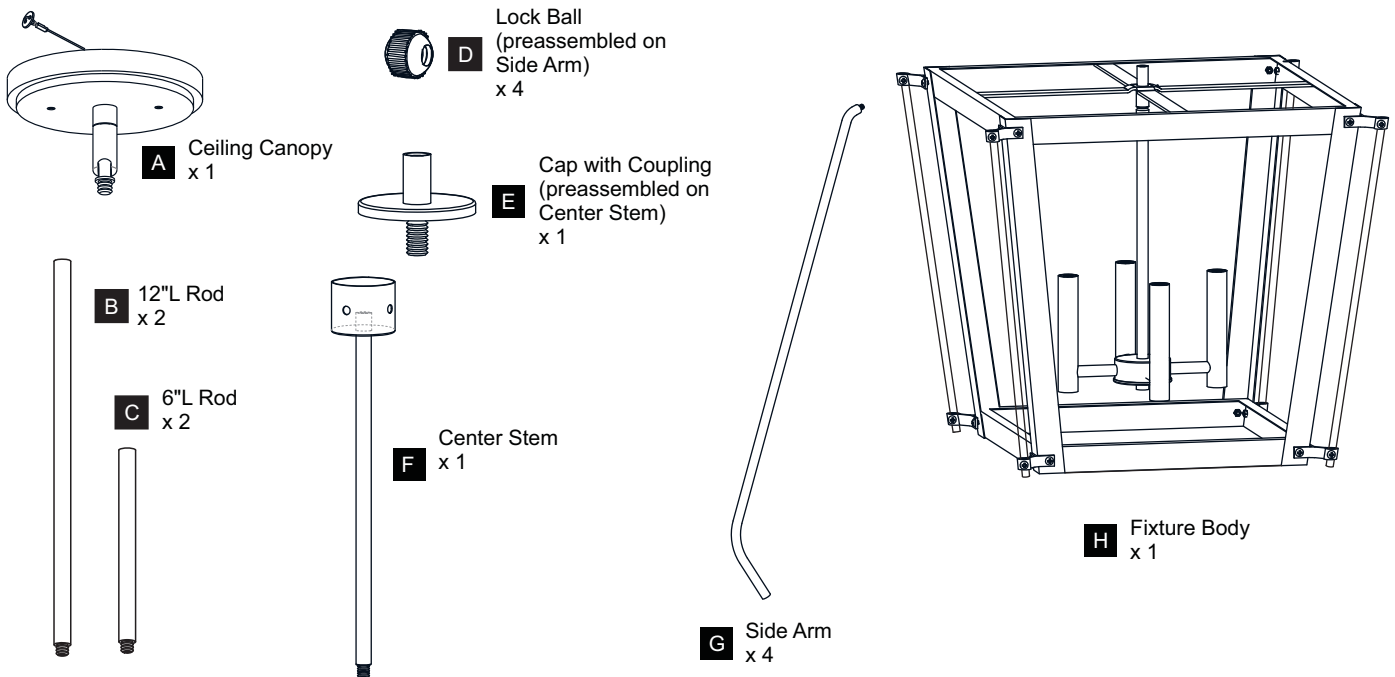


**CARE AND MAINTENANCE**

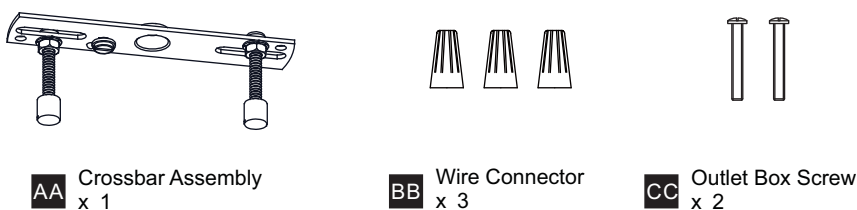
- Wipe clean using soft, dry cloth or static duster. Always avoid using harsh chemicals and abrasives to clean fixture as they may damage the finish.

If you need further assistance call Quozel Customer Care at 1-800-645-3184 (9:00am - 5:00pm EST), or visit us on-line at [www.quozel.com](http://www.quozel.com).

**PACKAGE CONTENTS**

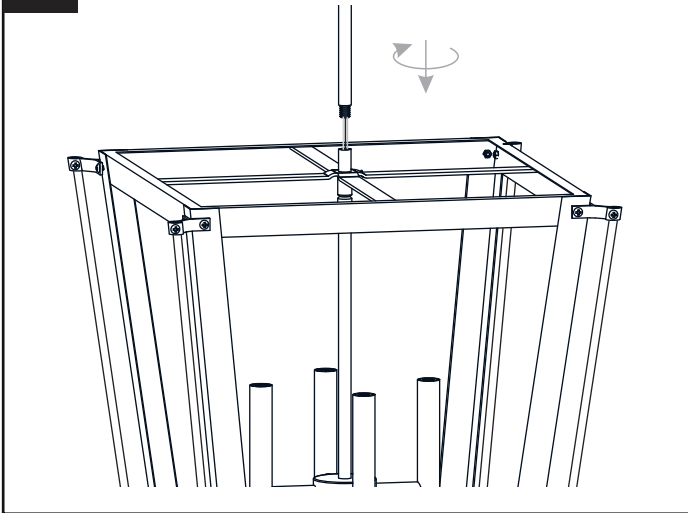


**MOUNTING HARDWARE**

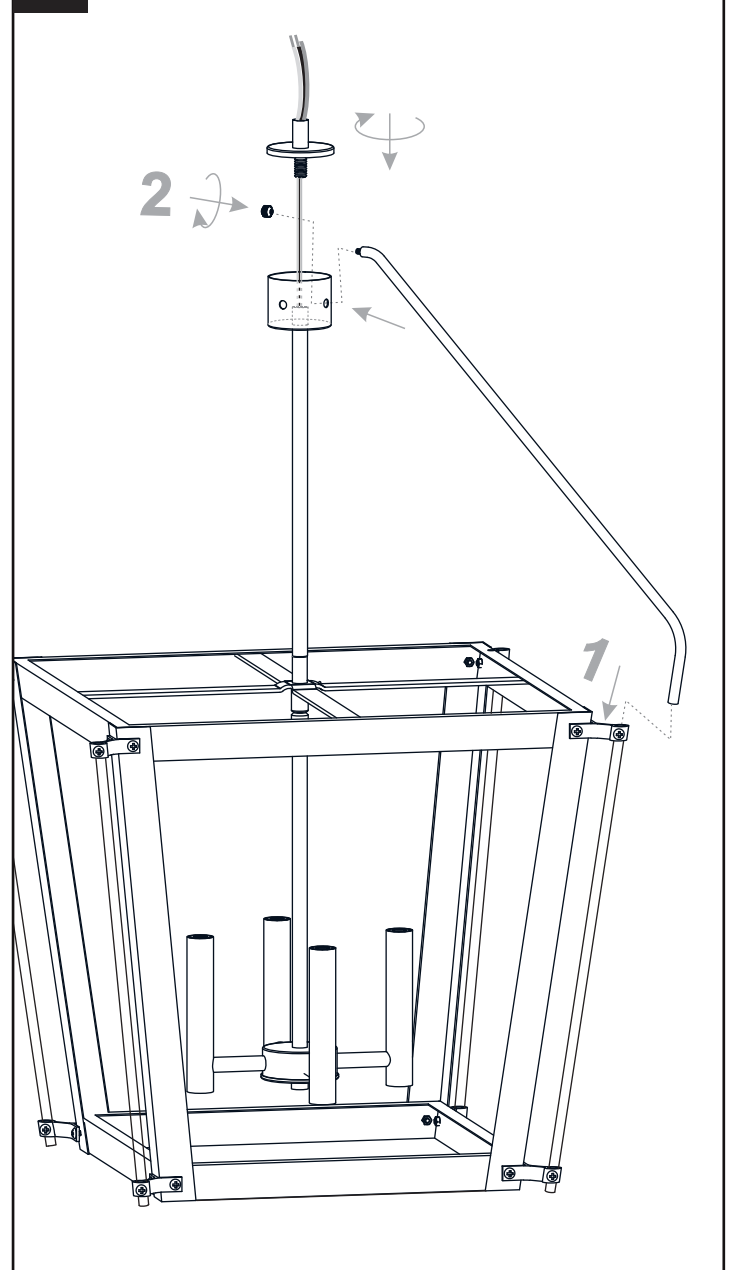


# INSTALLATION

## 1 Install Center Stem



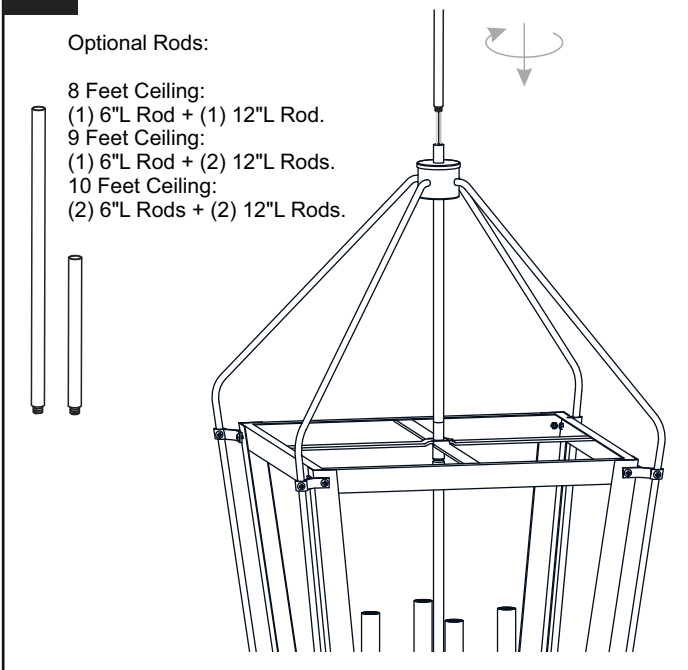
## 2 Install Side Stem to Fixture Body



## 3 Install Rods

Optional Rods:

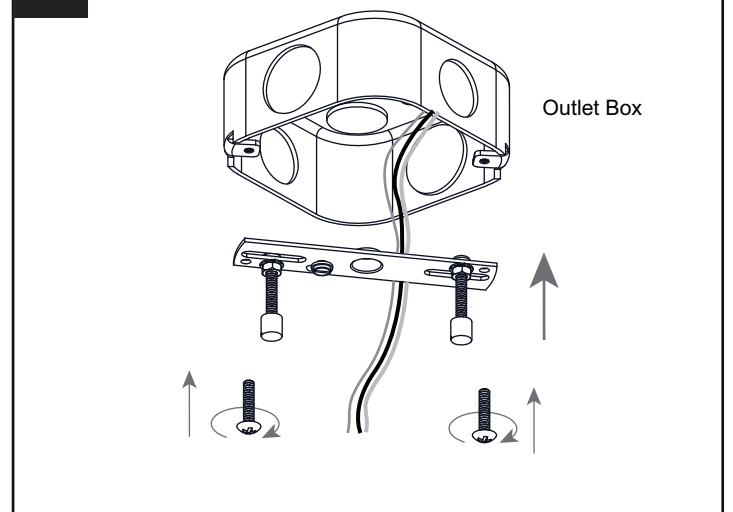
- 8 Feet Ceiling:  
(1) 6"L Rod + (1) 12"L Rod.
- 9 Feet Ceiling:  
(1) 6"L Rod + (2) 12"L Rods.
- 10 Feet Ceiling:  
(2) 6"L Rods + (2) 12"L Rods.



## 4 Install Ceiling Canopy to Upper Rod

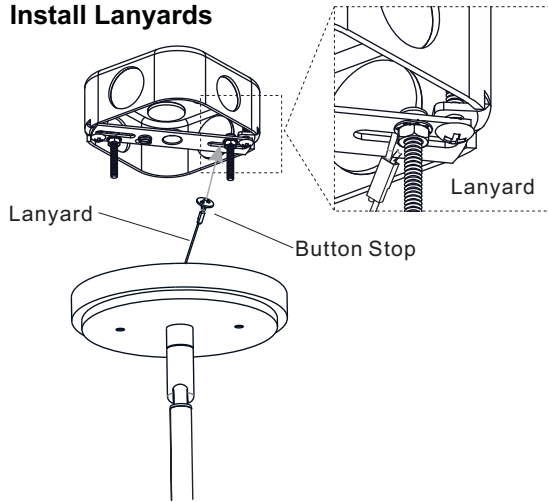


## 5 Install Crossbar Assembly

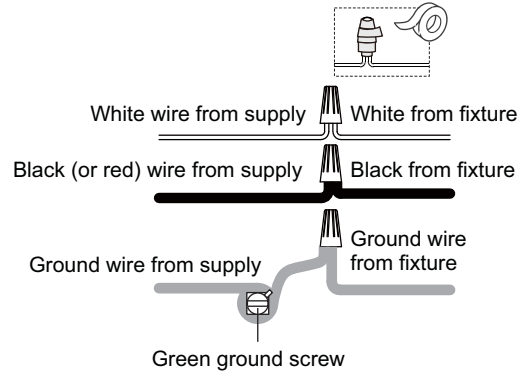


# INSTALLATION

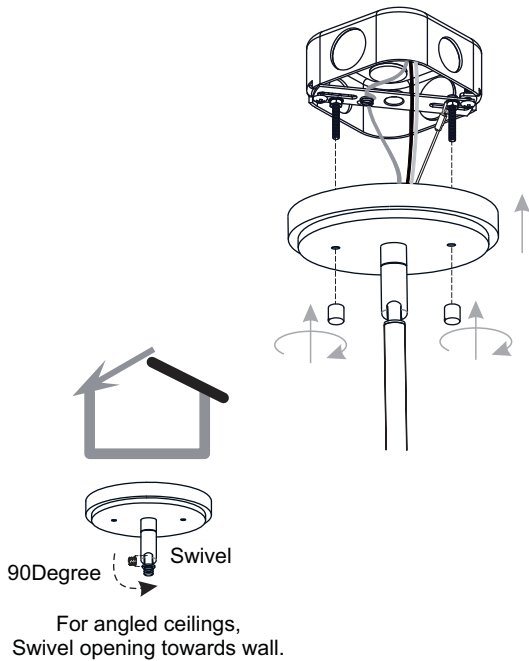
## 6 Install Lanyards



## 7 Wiring

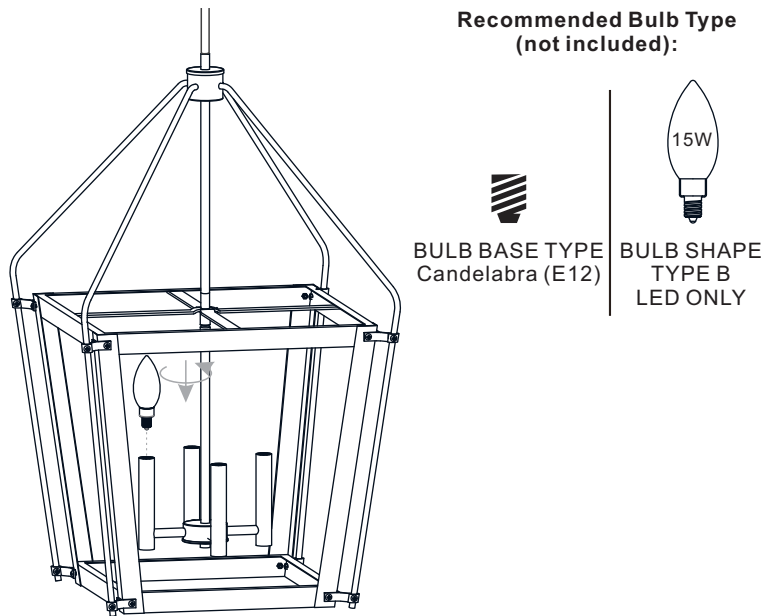


## 8 Install Ceiling Canopy to Crossbar Assembly



## 9 Install Bulbs

Install four correct bulbs referring to fixture markings and/or labels for maximum wattage.



**Your installation is now complete! Restore electricity and save this sheet for future reference.**