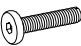





HEKMAN®

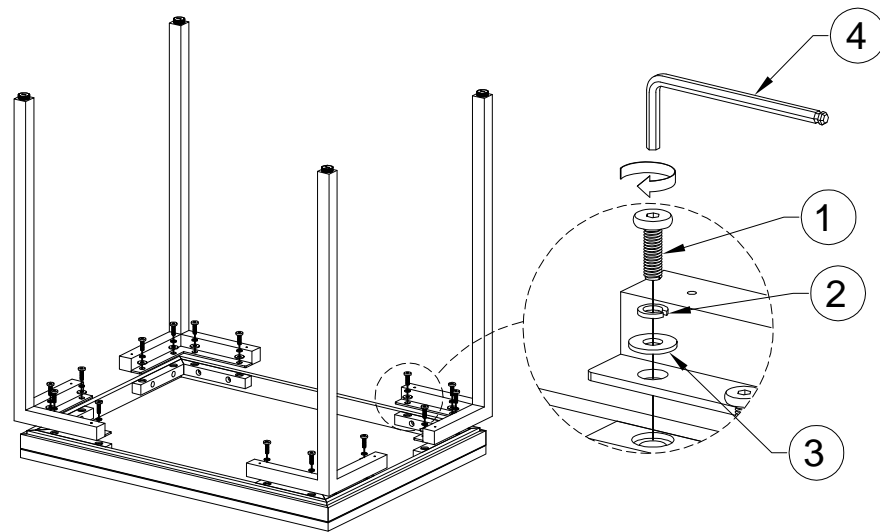
A HOWARD MILLER COMPANY

ASSEMBLY INSTRUCTIONS FOR 25306 NEST OF TABLE (L,M,S)

HARDWARE LIST

NO.	ITEM	DESCRIPTION	QTY	NO.	ITEM	DESCRIPTION	QTY
1		BOLT Ø1/4" x 1"	48	2		LOCK WASHER	48
3		FLAT WASHER	48	4		ALLEN WRENCH	1

STEP 2



TO ASSEMBLY:

STEP 1: Lay the large table top face down on a piece of cloth or carpet to prevent the finish from scratching.

STEP 2: Attach the legs to the top. Insert the flat washer (3), lock washer (2), with bolt (1) to the top, tighten with allen wrench (4).

STEP 3: Assembly of the product is now completed.

STEP 4: Repeat step 1-3 with medium and small size.

