

HAMPTON

903056FMM-LID

HAMPTON 56" LED SMART FAN

DETAILS	
FAN FINISH:	Metallic Matte Bronze
GLASS:	Etched Acrylic Lens
SHADE:	White Linen
BLADE COUNT:	5
SLOPE DEGREE:	20

DIMENSIONS	
WIDTH:	56"
HEIGHT:	17"

LIGHT SOURCE	
LED NAME:	E903056
VOLTAGE:	120v
LUMENS:	2160
CRI:	90

MOUNTING	
CANOPY:	6" Dia.
LEAD WIRE:	1 x 76"

SHIPPING	
CARTON LENGTH:	28.1
CARTON WIDTH:	17.2
CARTON HEIGHT:	10.5



Hampton is a modern transitional design, offering the ultimate in urban sophistication. The minimal, rectangular frame, paired with a decorative acrylic etched bottom lens and sleek blades, is softened by a contemporary off-white linen drum shade. Available in Metallic Matte Bronze with Walnut or Metallic Matte Bronze blades, Brushed Nickel with Walnut or Silver blades, and Heritage Brass with Birch or Matte White blades, Hampton is perfect for any interior décor.

PRODUCT DETAILS:

- Can be hung on a sloped ceiling
- This item includes a 6" down rod (other lengths of down rods are available)
- Dry Rated
- Control your fan's power, light, speed, direction, and so much more from the Hinkley Home Automation app
- Fan Control included, HIRO Control - 6 Speed Reversing. All-in-one HIRO remote controls power, speed, direction, and lighting; use as a wall control or portable remote
- WiFi Enabled Smart Fan is compatible with your home's WiFi network
- Reversible blades included; two finishes allow for easily customizable style
- LED components carry a 5-year limited warranty

HINKLEY

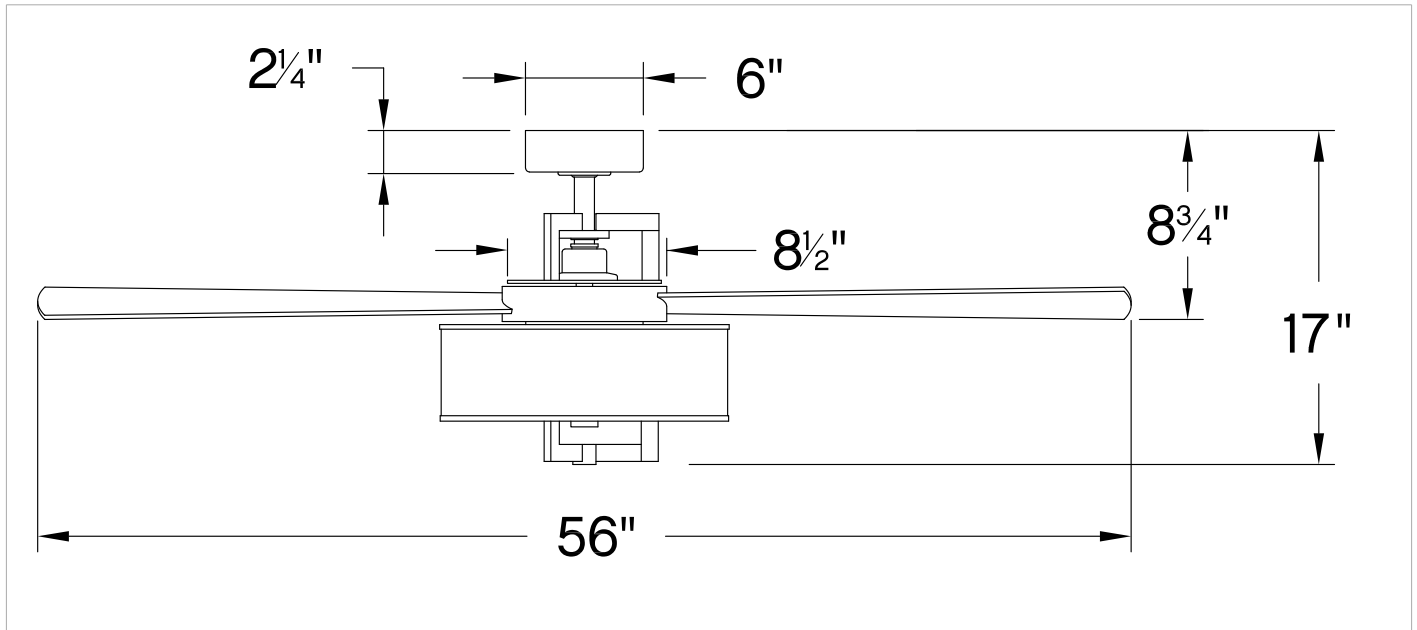
HINKLEY
33000 Pin Oak Parkway
Avon Lake, OH 44012

PHONE: (440) 653-5500
Toll Free: 1 (800) 446-5539

hinkley.com

HAMPTON 56" LED SMART FAN

903056FMM-LID



PERFORMANCE SPECIFICATIONS	STANDARD	
	HIGH SPEED	AVERAGE SPEED
Airflow	5233	3722
EnergyUse	30.1	18
EnergyCost	8	5
Efficiency	174	202
AMPS	0.41	0.23
RPMS	123	84