

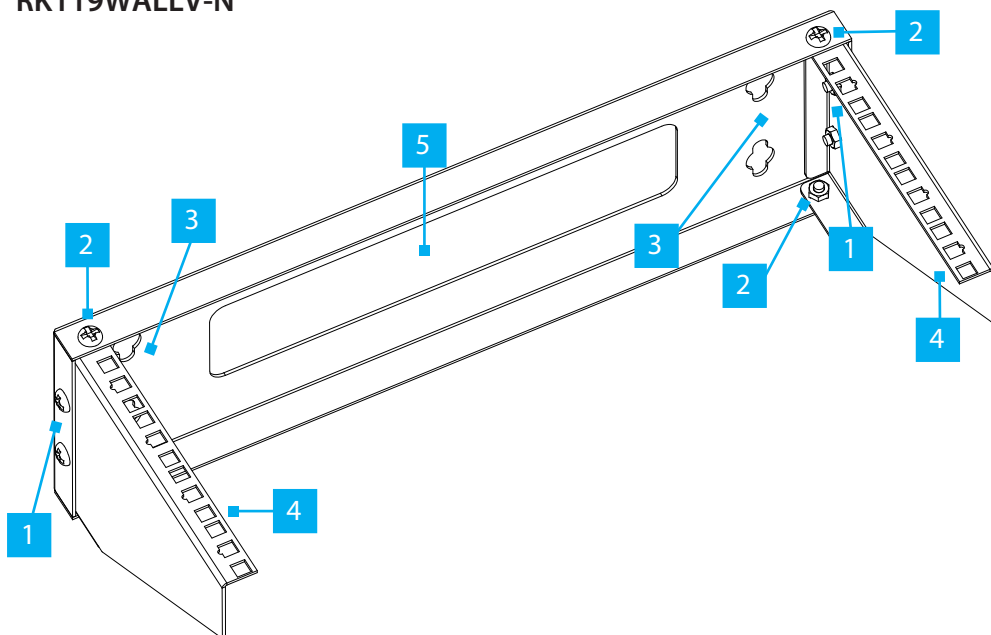
## 19in Vertical Wall Mount Rack Bracket - Flat-Pack

### Product ID

RK419WALLV-N

RK219WALLV-N

RK119WALLV-N



\*Product may vary from image

	Feature	Function
1	Mounting Rail Securing Holes	• Used to secure the <b>Mounting Rails</b> in the extended position with the <b>Assembly Screws</b>
2	Top and Bottom Screws	• Enable to fold the <b>Mounting Rails</b> in place
3	Wall Mounting Holes	<ul style="list-style-type: none"> <li>• Enable to fasten the <b>Vertical Wall Mount Rack Bracket</b> to a wall</li> <li>• Keyhole mounting enables simplified mounting or unmounting</li> <li>• Holes are spaced 16-inch (40cm) horizontally</li> </ul>
4	Mounting Rails	• Use to mount <b>Server Rack Equipment</b>

5	Cable Pass-Through	<ul style="list-style-type: none"> <li>• (Optional) Route the <b>Server Rack Equipment Cables</b></li> </ul> <p><b>Notes:</b> A cable access port should be created in the wall to facilitate cable routing</p>
---	--------------------	---

### Package Contents

- Vertical Wall Mount Rack Bracket x1
- Assembly Screws x 4
- Wood Screws x 4
- Quick-Start Guide x 1

Product ID	M5 Cage Nuts Quantity	M5 Screws Quantity
RK419WALLV-N	16	16
RK219WALLV-N	8	8
RK119WALLV-N	4	4

### Requirements

For the latest manuals, product information, technical specifications, and declarations of conformance, please visit:

[www.StarTech.com/RK419WALLV-N](http://www.StarTech.com/RK419WALLV-N)

[www.StarTech.com/RK219WALLV-N](http://www.StarTech.com/RK219WALLV-N)

[www.StarTech.com/RK119WALLV-N](http://www.StarTech.com/RK119WALLV-N)

- Phillips head screwdriver
- Appropriate mounting hardware and tools for the wall type
- Cage nut tool (Optional)

### Warnings!

- *StarTech.com Ltd. is not responsible for any property damage and/or personal injury resulting from the installation procedures outlined in this technical document.*
- *The mounting instructions and/or hardware included with this product may not be suitable for the specific wall structure used. If you lack the necessary expertise required to attach this product to the wall structure or to assess the suitability of the hardware provided, please contact a professional installer.*
- *Read the entire Quick-Start Guide and ensure the instructions are fully understood before using this product.*

- Before adding equipment to this product, ensure this product has been properly mounted.
- Never operate this product if parts are missing or damaged.
- Ensure the weight of the equipment does not exceed the weight capacity of this product. If the weight capacity is exceeded, personal injury or damage to the equipment is possible. These product can support the following weight: 121.2lb / 55kg

## Installation

### Assemble the Wall Mount Rack Bracket

1. Place the **Vertical Wall Mount Rack Bracket** on a flat surface with the **Mounting Rails** facing forward.
2. Fold the **Mounting Rails** outwards towards the user.
3. Insert the **Assembly Screws** (x 4) through the **Mounting Rail Securing Holes** (x 4). **Tighten** the **Assembly Screws** (x 4) using a **Phillips Head Screwdriver**.
4. **Tighten** the **Top and Bottom Screws** (x 4) using a **Phillips Head Screwdriver**

### Wall Installation

1. Determine the target position of the **Vertical Wall Mount Rack Bracket**, factoring in:
  - Wall type (i.e. drywall, wood studs, or concrete).
  - Dimensions and location of any nearby objects, mechanical, electrical, and plumbing infrastructure.
2. Mark the **Mounting Points** (x 4) using the **Wall Mounting Holes** (x 4) as a **Template**. Ensure it is level, using a **Spirit/Bubble Level**.
3. Drill a **Pilot Hole** with an appropriate **Drill Bit** for the **Wall Type**.
 

***Note:** Stop drilling if any significant resistance is encountered. Drill the remaining Pilot Holes in an alternative location.*
4. Repeat **Step 3** to drill the remaining **Pilot Holes** (x 3).
5. (Optional) If mounting on a concrete or masonry wall, insert **Concrete Anchors** (not

included) (x 4) into the **Pilot Holes** and tap them into place using a **Mallet**.

6. Align the **Wall Mounting Holes** with the **Pilot Holes** (x 4). Next, insert and tighten the included **Wooden Screws** (x 4) or **Concrete Screws** (not included), using an **Electric Drill** with a **Phillips Head Bit** or a **Phillips Head Screwdriver**.

### Install the Cage Nuts

1. Install the **M5 Cage Nuts** into the **Mounting Holes** on the **Mounting Rails**. If available, use a **Cage Nut Tool** or a preferred installation method to install the **Cage Nuts**.
2. Repeat **Step 1** as many times as needed to install the required number of **M5 Cage Nuts** for the application.

## Regulatory Compliance

### Use of Trademarks, Registered Trademarks, and other Protected Names and Symbols

This manual may make reference to trademarks, registered trademarks, and other protected names and/or symbols of third-party companies not related in any way to StarTech.com. Where they occur these references are for illustrative purposes only and do not represent an endorsement of a product or service by StarTech.com, or an endorsement of the product(s) to which this manual applies by the third-party company in question. StarTech.com hereby acknowledges that all trademarks, registered trademarks, service marks, and other protected names and/or symbols contained in this manual and related documents are the property of their respective holders

### Warranty Information

This product is backed by a lifetime warranty. For further information on product warranty terms and conditions, please refer to [www.startech.com/warranty](http://www.startech.com/warranty).

### Limitation of Liability

In no event shall the liability of StarTech.com Ltd. and StarTech.com USA LLP (or their officers, directors, employees or agents) for any damages (whether direct or indirect, special, punitive, incidental, consequential, or otherwise), loss of profits, loss of business, or any pecuniary loss, arising out of or related to the use of the product exceed the actual price paid for the product. Some states do not allow the exclusion or limitation of incidental or consequential damages. If such laws apply, the limitations or exclusions contained in this statement may not apply to you.



**StarTech.com Ltd.**  
45 Artisans Crescent  
London, Ontario  
N5V 5E9  
Canada

**StarTech.com LLP**  
4490 South Hamilton  
Road  
Groveport, Ohio  
43125  
U.S.A.

**StarTech.com Ltd.**  
Unit B, Pinnacle 15  
Gowerton Road  
Brackmills,  
Northampton  
NN4 7BW  
United Kingdom

**StarTech.com Ltd.**  
Siriusdreef 17-27  
2132 WT Hoofddorp  
The Netherlands

FR: [startech.com/fr](http://startech.com/fr)  
DE: [startech.com/de](http://startech.com/de)  
ES: [startech.com/es](http://startech.com/es)  
NL: [startech.com/nl](http://startech.com/nl)  
IT: [startech.com/it](http://startech.com/it)  
JP: [startech.com/jp](http://startech.com/jp)