





HEKMAN[®]

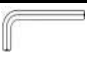

A HOWARD MILLER COMPANY

ASSEMBLY INSTRUCTION FOR 28053 INDUSTRIAL DESK

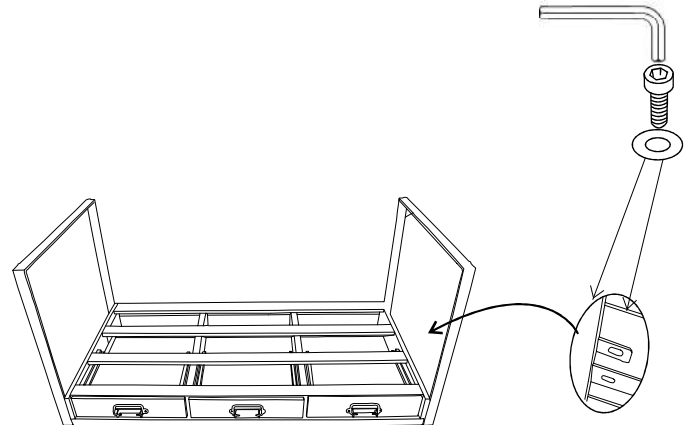
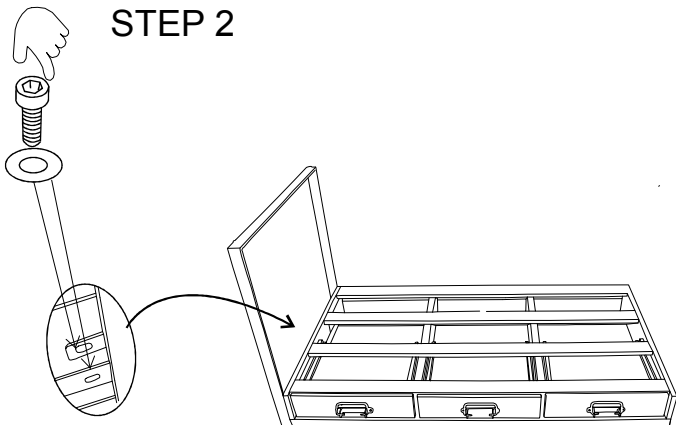
HARDWARE LIST

NO.	ITEM	DESCRIPTION	QTY.
1		Bolt	10
4		Small Bolt	2

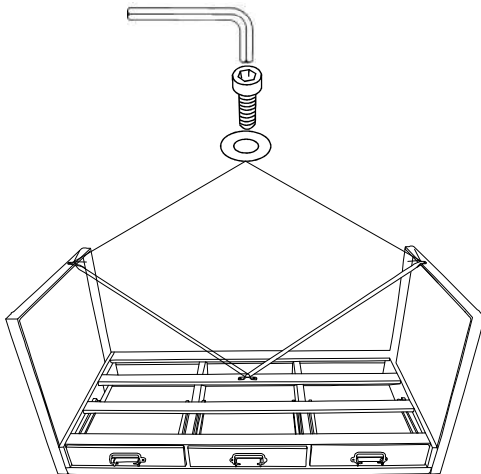
NO.	ITEM	DESCRIPTION	QTY.
2		Flat Washer	12
5		Screw	2

NO.	ITEM	DESCRIPTION	QTY.
3		Allen Wrench	1
6		NOT INCLUDED	

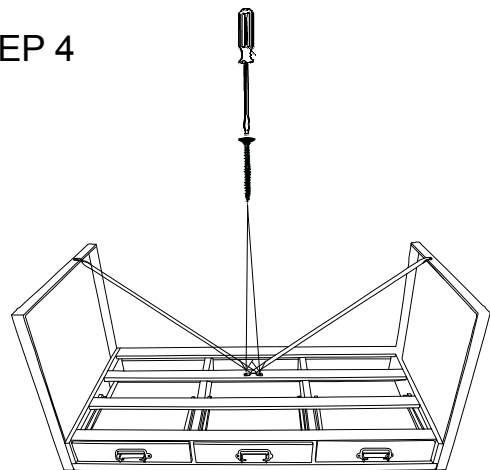
STEP 2



STEP 3



STEP 4



TO ASSEMBLY:

- STEP 1 : Unpack the Desk and turn the top assembly upside down
 STEP 2 : Attach Leg Assemblies to bottom of Top panel with Bolt (1), Washer (2) and Alen Key (3).
 STEP 3 : Attach the Iron Angle at the Middle of Desk with Bolt (4), Washer(2) and Alen Key (3).
 STEP 4 : Tight the Iron Angle at the Middle with Screw (5) and Screw Driver (6).
 STEP 5 : Carefully turn the Industrail Desk upright.

