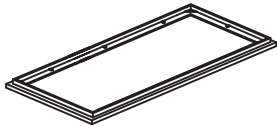


# ASSEMBLY INSTRUCTION

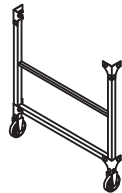
## 5099-15 (3A) OFFICE DESK

**A** Desk Top



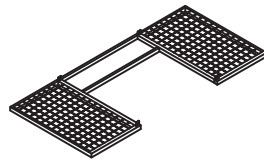
1 pc

**B** Desk Legs



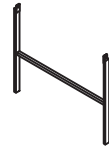
2 pcs

**C** Bottom Panel



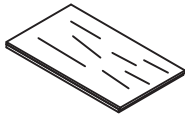
1 pc

**D** Inner  
Stretchers



2 pcs

**E** Shelves



2 pcs

**F** Bolt with  
Lock Washer  
and Flat  
Washer  
1/4", 5/8"



16 pcs

**G** Flat Head  
Bolt  
1/4", 1"

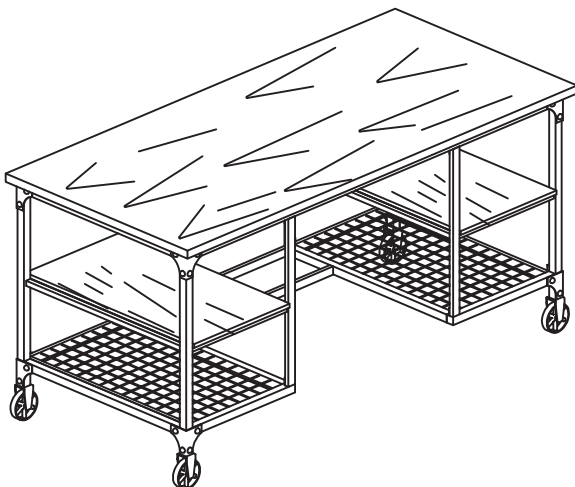


12 pcs

**H** Allen Wrench

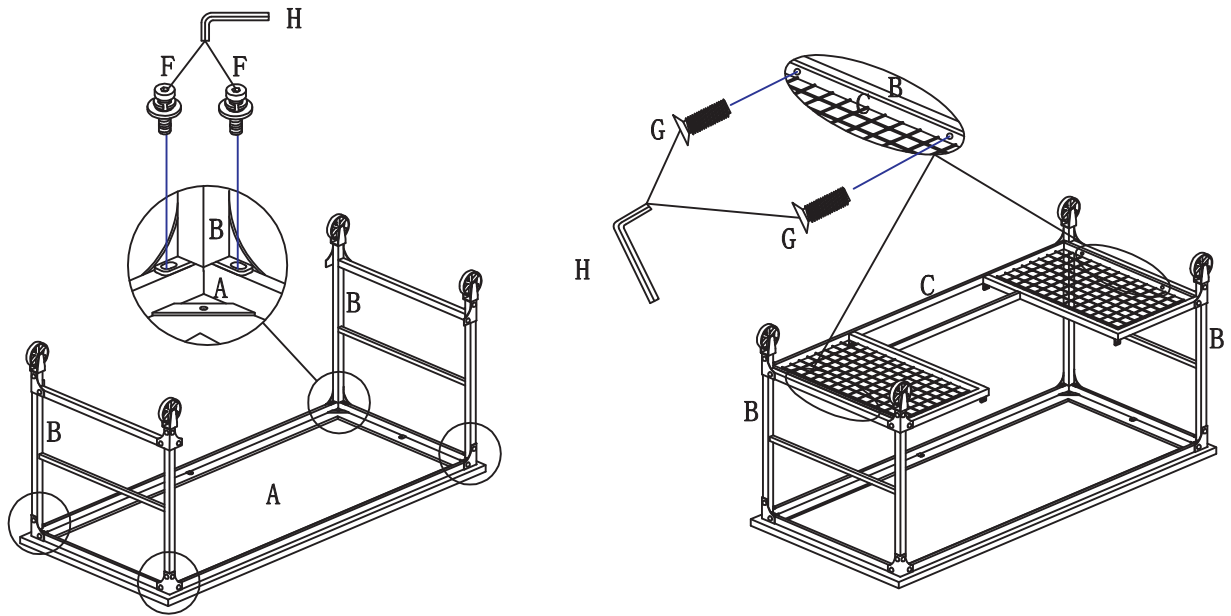


1 pc

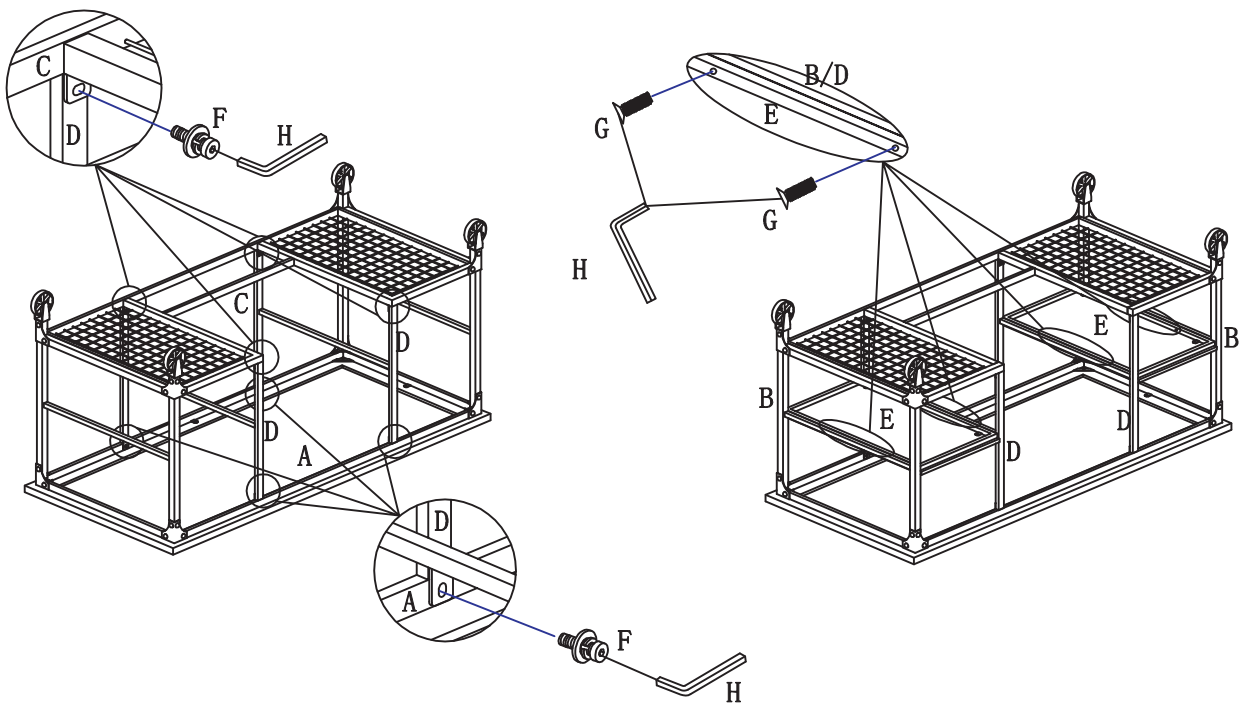


This page lists all the contents included in the box. Please take the time to identify the hardware as well as the individual components to this product. As you unpack and prepare for assembly, place the contents on a carpeted or padded area to protect them from damage.

- 1** Place and face down Desk Top ( A ) on a stable and smooth surface, attach 2 Desk Legs ( B ) firstly to the Desk Top ( A ), then attach the Bottom Panel ( C ) to the 2 Desk Legs ( B ), using Bolt with Lock Washer and Flat Washer ( F ), Flat Head Bolt ( G ) and Allen Wrench ( H ).



- 2** Insert 2 Inner Stretchers ( D ) to the Bottom Panel ( C ), then insert Shelves ( E ) to 2 Desk Legs ( B ) and 2 Inner Stretchers ( D ), using Bolt with Lock Washer and Flat Washer ( F ), Flat Head Bolt ( G ) and Allen Wrench ( H ). Finally tighten all bolts with Allen Wrench ( H ).



## Cleaning & Care

Treat surface with care. Surface is resistant to scratches but is not scratch resistant. Clean surfaces with adry or damp soft cloth. Do not use abrasive cleaners. Hardware may loosen over time. Periodically check that all connections are tight.