

SONANCE

PROFESSIONAL SERIES IN-CEILING RETRO RING MANUAL PS-C63RT | PS-C61RT | PS-C43RTLTP

IMPORTANT: Tile support rails and C-bracket (included with the PS-C63RT or PS-C43RTLTP in-ceiling speakers) must be used in all retro ring installations (both hard lid and drop ceiling) to provide back support for the Roto-Lock® clamps.

IMPORTANT: Attaching the seismic tab to a support line is highly recommended for additional safety.

Insert the two tile support rails and C-bracket through the hole you have cut, placing them as shown. Using the two screws that are supplied, screw the C-bracket to the tile support rails (see Figure 1).

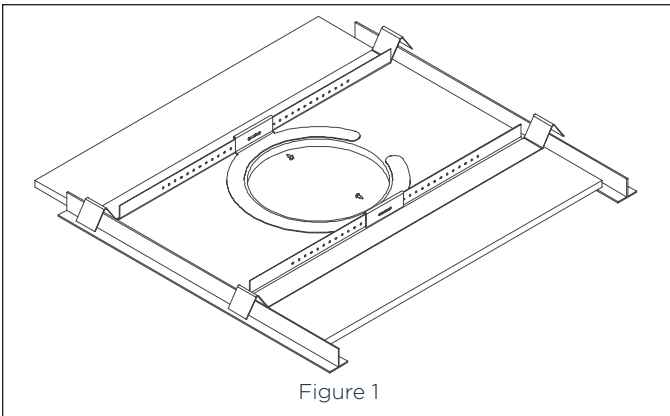


Figure 1

Connect speaker wires as per IN-CEILING SPEAKER INSTALLATION MANUAL then insert the speaker through the retro ring and then slide up into the hole in the ceiling and through the C-bracket (see Figure 2).

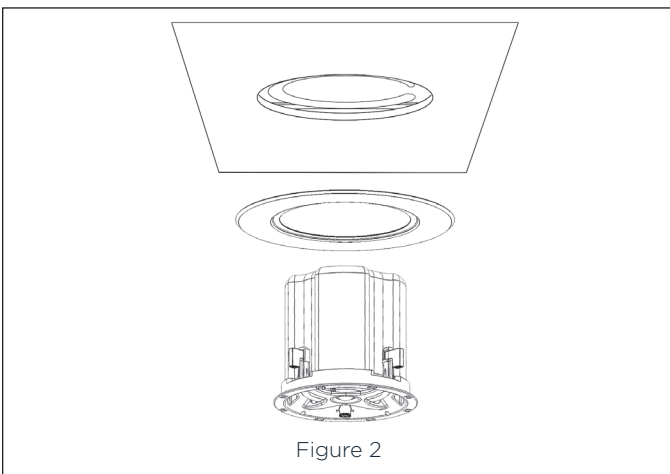


Figure 2

Tighten the four screws on the front of the baffle. The Roto-Lock clamps will rotate into position automatically and begin clamping. When you notice resistance on the four screws, the speaker has been clamped successfully. The flange is designed to flex and conform to any small imperfections in the ceiling surface (see Figure 3).

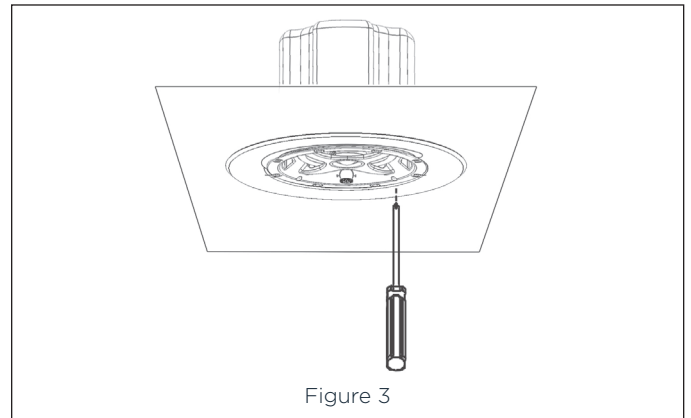


Figure 3

After the speaker is installed, and the transformer tap and tweeter angle adjustments are made as per the IN-CEILING SPEAKER INSTALLATION MANUAL, the grille can be installed. The grille is held in place by several small, powerful magnets on the speaker frame. Place the grille against the speaker and the magnets will hold it firmly in place (see Figure 4).

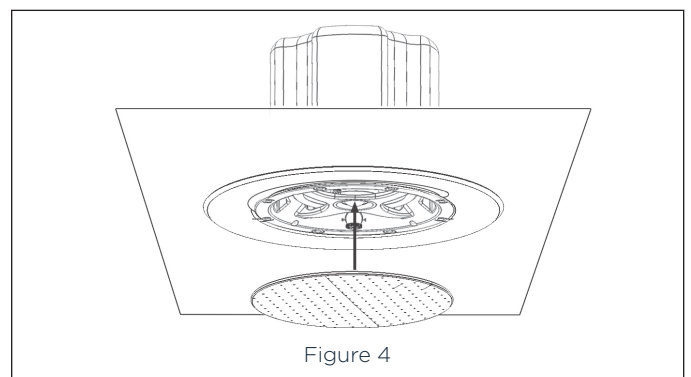


Figure 4