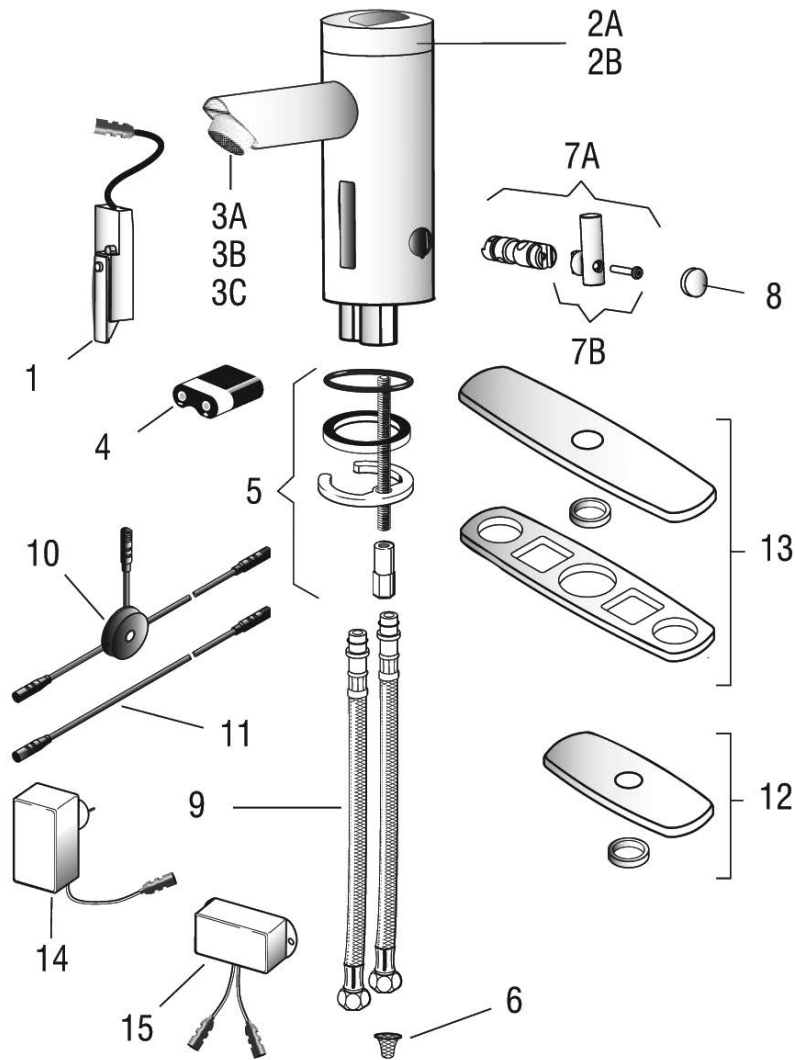


0614

REVISED 5/09

**SLOAN
EAF-200, 250, 275
ELECTRONIC FAUCETS**



ITEM KEY	CAT. NO.	MFG NO.	DESCRIPTION
1	470783	335013	EAF-14A SENSOR ASSEMBLY
2A	*S/O	3335021	EAF-1006 CAP & SOLAR CELL ASSEMBLY (EAF-275 ONLY)
2B	*S/O	335027	EAF-27 CAP (EAF-250 & EAF-200 ONLY)
3A	*S/O	335012	EAF-15 0.5 GPM (1.9 LPM) SPRAY HEAD
3B	*S/O	335008	EAF-10 2.2 GPM (8.3 LPM) AERATOR SPRAY HEAD
3C	*S/O	335011	EAF-13 2.2 GPM (8.3 LPM) LAMINAR FLOW SPRAY HEAD
4	*S/O	3335018	EAF-1003 BATTERY REPLACEMENT KIT
5	*S/O	335000	EAF-1 FAUCET MOUNTING KIT
6	400032	335007	EAF-9 STRAINER (FILTER)
7A	*S/O	3335019	EAF-1004 MIXER HANDLE ASSEMBLY & CARTRIDGE
7B	*S/O	3335020	EAF-1005 HANDLE REPAIR KIT
8	*S/O	3335022	EAF-1007 HANDLE CAP
9	*S/O	3335023	EAF-1008 13" (330 MM) FLEXIBLE SUPPLY HOSE

ITEM KEY	CAT. NO.	MFG NO.	DESCRIPTION
10	*S/O	335023	EAF-23-A SPLITTER CABLE
11	*S/O	335024	EAF-24-A 11-13/16" (300 MM) EXTENSION CABLE
11	*S/O	335025	EAF-25-A 47-1/4" (1200 MM) EXTENSION CABLE
11	*S/O	335015	EAF-17-A 126" (3200 MM) EXTENSION CABLE
12	812550	3365468	EAF-312-A TRIM PLATE FOR 4" CENTERSSET SINK
13	804111	3365024	EAF-510-A TRIM PLATE FOR 8" CENTERSSET SINK
14	400040	335009	EAF-11 TRANSFORMER
15	400043	335028	EAF-28 CAPACITOR BOX
COMPLETE FITTING			
	802765	3335016	EAF-275 LAVATORY FAUCET
	802764	3335017	EAF-275-ISM LAVATORY FAUCET WITH MIXER
	803702	3365302	ETF-607A 4" TRIM PLATE
	338814	3365303	ETF-608A 8" TRIM PLATE

*S/O = SPECIAL ORDER ITEM