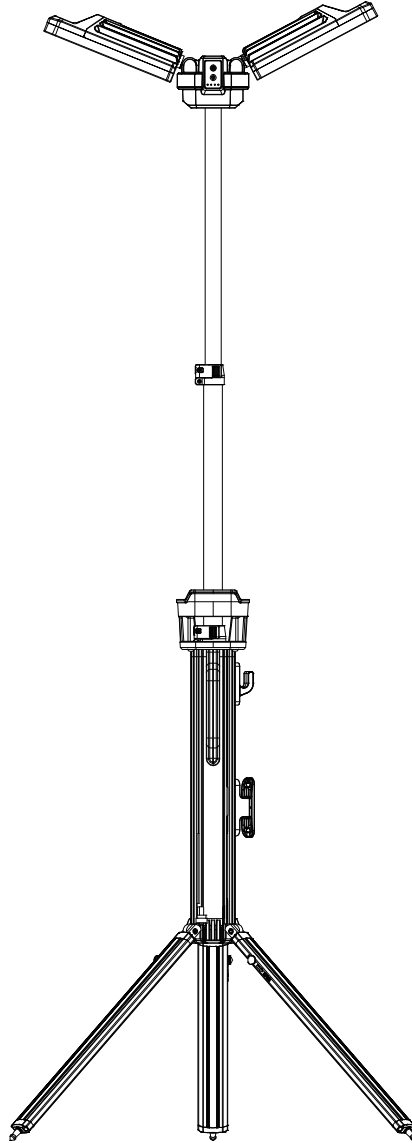


IMPORTANT SAFETY INSTRUCTIONS AND INSTALLATION GUIDE

6,000 Lumen Rechargeable LED Work Light with Tripod



IMPORTANT, RETAIN FOR FUTURE REFERENCE: READ CAREFULLY

SAVE THESE INSTRUCTIONS

FEIT ELECTRIC COMPANY | PICO RIVERA, CA, USA
www.feit.com

HOURS OF OPERATION: MONDAY - FRIDAY, 8:00 AM - 5:00 PM (PST), LANGUAGES SPOKEN: ENGLISH, FRENCH AND SPANISH

Table of Contents

Safety Information	2
FCC Statement	2
Warranty	2
Pre-Assembly	3
Assembly/Charging	4
Operating Instructions/Connecting the Power Cord	5
Storage	6

Important Safety Information

READ ALL INSTRUCTIONS

- All safety and operating instructions in this manual must be followed before using this product.
- Follow all safeguards stated in the manual, in addition to normal safety precautions in working with electrical devices. Always follow basic safety precautions to reduce the risk of fire, electric shock and personal injury.
- Do not place near any heat source.
- To reduce the risk of electrical shock, do not put in water or other liquid. Do not place or store product where it can fall or be pulled into a tub or sink.
- Do not expose power adapter to water. Use with an indoor outlet.
- Do not crush or incinerate.
- To reduce the risk of fire, keep away from combustible materials while in operation.
- To reduce the risk of injury, close supervision is necessary when this product is used near children.
- Do not attempt to repair, disassemble or modify under any circumstances.
- Do not smother lamp or place it near anything flammable.
- When folding the unit closed, make sure lights are OFF. Do not turn lights ON while blades are facing inward.



WARNING: RISK OF SHOCK. House electric current can cause painful shock or serious injury unless handled properly.



WARNING: Changes or modifications to this unit not expressly approved by the party responsible for compliance could void the user's authority to operate the equipment.

SAVE THESE INSTRUCTIONS

Maintenance and Care

Maintenance of this work light is minimal. Regularly clean the lens with a non-abrasive cleaning cloth. The same care should be provided for the stand.

FCC Statement

Supplier's Declaration of Conformity: 47 CFR § 2.1077 Compliance Information
Responsible Party: Feit Electric Company, 4901 Gregg Road, Pico Rivera, CA 90660, USA
Unique Identifier: WLR6000/TRIPOD, ITM./ART. 1649706

This device complies with part 15 of the FCC Rules. Operation is subject to the following two conditions:

(1) This device may not cause harmful interference, and (2) this device must accept any interference received, including interference that may cause undesired operation. Note: This equipment has been tested and found to comply with the limits for a Class B digital device, pursuant to part 15 of the FCC Rules. These limits are designed to provide reasonable protection against harmful interference in a residential installation. This equipment generates, uses and can radiate radio frequency energy and, if not installed and used in accordance with the instructions, may cause harmful interference to radio communications. However, there is no guarantee that interference will not occur in a particular installation. If this equipment does cause harmful interference to radio or television reception, which can be determined by turning the equipment off and on, the user is encouraged to try to correct the interference by one or more of the following measures: Reorient or relocate the receiving antenna. Increase the separation between the equipment and receiver. Connect the equipment into an outlet on a circuit different from that to which the receiver is connected. Consult the dealer or an experienced radio/TV technician for help. Any changes or modifications not expressly approved by the manufacturer could void the user's authority to operate the equipment. CAN NMB-005 (B).

Limited Warranty

This product is warranted to be free from defects in workmanship and materials for up to 1 year from date of purchase. If the product fails within the warranty period, please contact Feit Electric at info@feit.com, visit feit.com/contact-us for instructions on replacement or refund.

REPLACEMENT OR REFUND IS YOUR SOLE REMEDY. EXCEPT TO THE EXTENT PROHIBITED BY APPLICABLE LAW, ANY IMPLIED WARRANTIES ARE LIMITED TO THE DURATION OF THIS WARRANTY. LIABILITY FOR INCIDENTAL OR CONSEQUENTIAL DAMAGES IS HEREBY EXPRESSLY EXCLUDED. Some states and provinces do not allow the exclusion of incidental or consequential damages, so the above limitation or exclusion may not apply to you. This warranty gives you specific legal rights, and you may also have other rights which vary from state to state or province to province.

SPECIFICATIONS

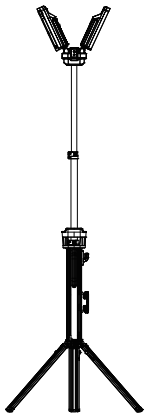
CRI	>80
Lumens	Low: 500 Medium: 1500 High: 6000
Life	15,000 hrs
Run Time	Low: 5 hrs Medium: 2 hrs 30 min High: 1 hr
Charging Time	3 hrs
Operating Temperature	32°F - 104°F
Battery	Non-replaceable Li-Ion 7.3V 4000mAh

PARTS INCLUDED

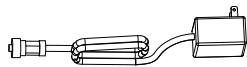
Part	Description	Quantity
A	Rechargeable Work Light and Tripod	1
B	8.4V 3A Charging Adapter	1
C	Canvas bag	1



NOTE: Parts not shown to actual size.



A



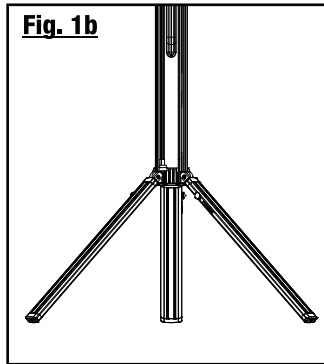
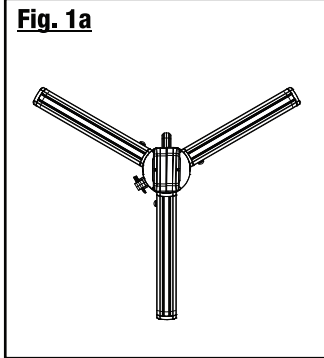
B



C

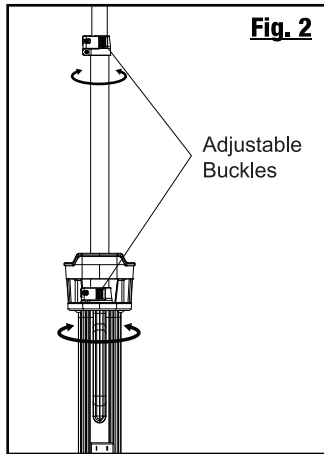
1 Setting up the Tripod

Pull the tripod legs out (Fig. 1a), then downward until the legs lock. You will hear a click (Fig. 1b).



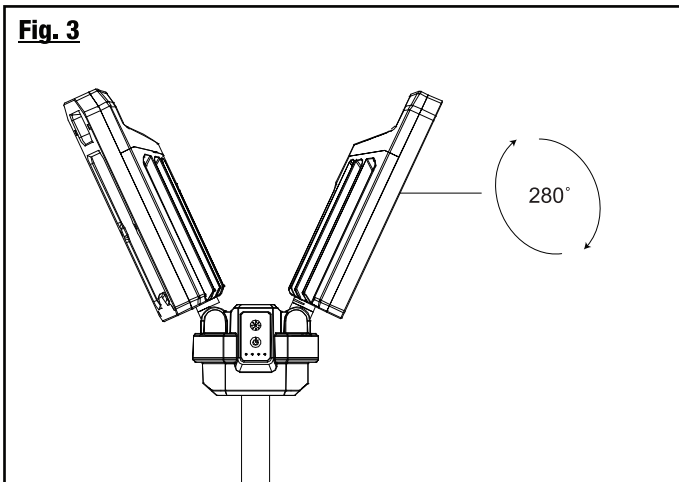
Height Adjustment

Unwrap the cord if it is attached to the cord handle. Hold the tripod firmly so that it stays grounded. Pull the lower adjustable buckle outward. Pull the tripod upward to your desired height and push the lower adjustable buckle back in to set the tripod height. If you would like to heighten the tripod further, pull the upper adjustable buckle and pull the tripod upward. Push the upper adjustable buckle back in to lock the tripod to your desired height.



2 Adjusting the Work Light Blades

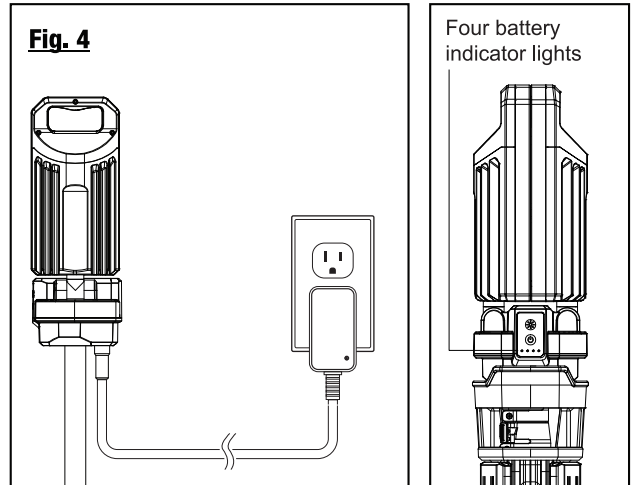
Gently rotate the work light blades to the desired angle (Fig. 3).



NOTE: When folding the light blades to shut the unit, make sure lights are OFF. Do not turn lights ON while blades are collapsed and facing inward.

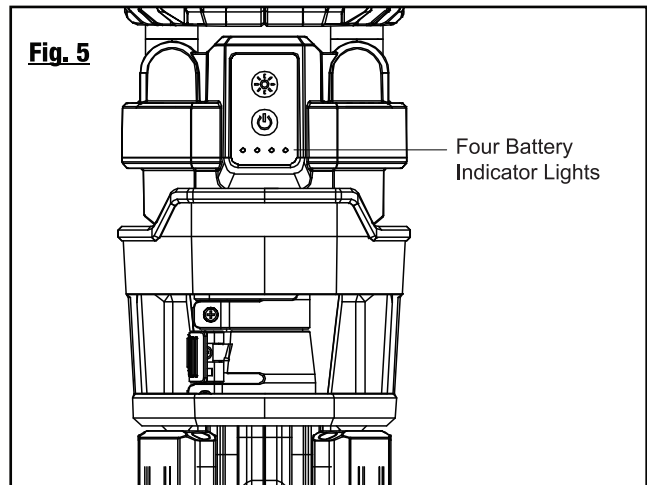
1 Charging the Work Light

To power or charge, plug into an indoor outlet. Charge time is approximately 3 hours or until all four battery indicator lights are lit. Charge time may vary.



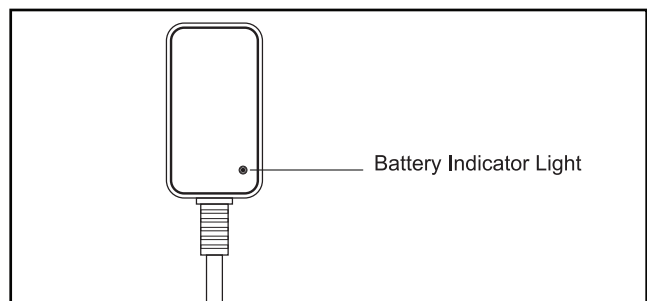
2 Battery Indicator Lights

Each individual battery indicator light represents 25% of the overall battery life. All four indicator lights will turn solid blue when the device is fully charged.




3 Charging Adaptor Battery Indicator

The charging adaptor battery indicator light will turn red when charging, then green when fully charged.



1 Change Light Settings

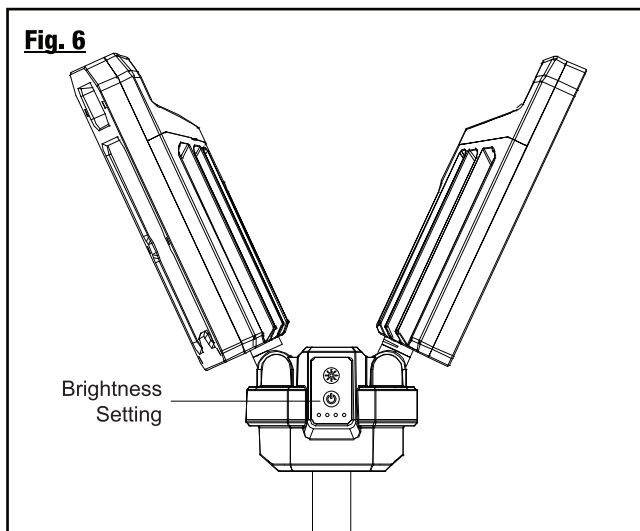
Brightness settings

Press the  button to turn on and cycle through the brightness settings (Fig. 6).

- Press power button once for LOW.
- Press again for MEDIUM.
- Press again for HIGH.
- Press again for OFF.

When not using, make sure light is OFF.

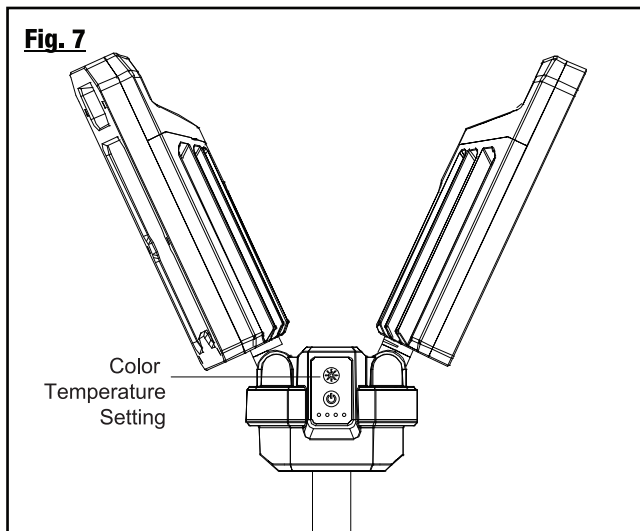
Fig. 6



2 Color Temperature Settings

Touch the  button to switch between Cool White and Daylight (Fig. 7).

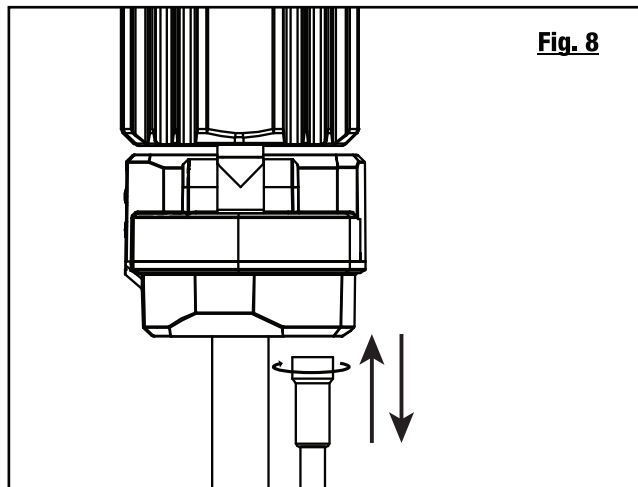
Fig. 7



1 Disconnecting and Connecting The Power Cord

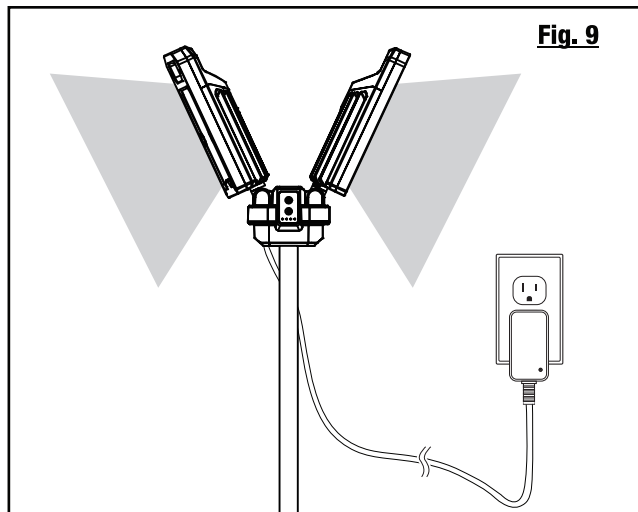
Rotate the sleeve counterclockwise and pull out the power cord. To insert, push in the power cord adapter until there is a click.

Fig. 8



Light can be used while plugged in. Brightness will be 1500 lumens. To power or charge, plug into a dry indoor outlet.

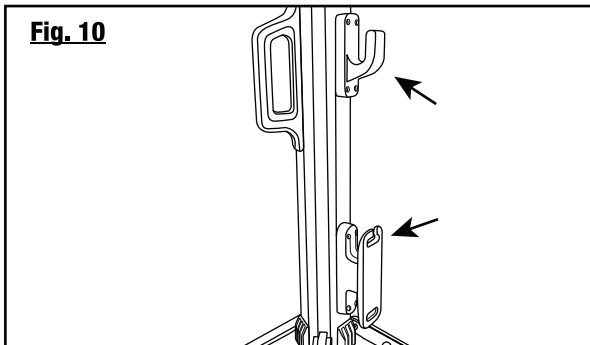
Fig. 9



NOTE: Tripod light is outdoor rated. Power adapter is indoor rated. Use with an indoor outlet. Do not expose power adapter to water.

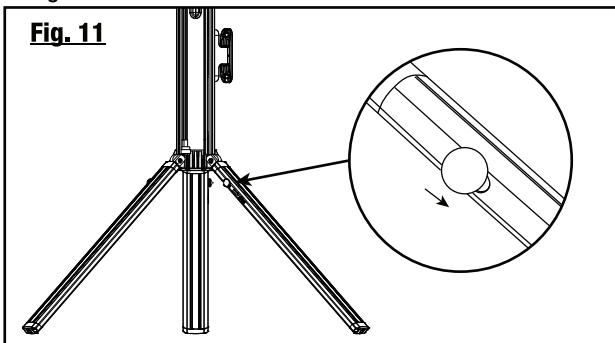
1 Charging Cord Holder

Wrap the charging cord around the cord holder on the side of the tripod.



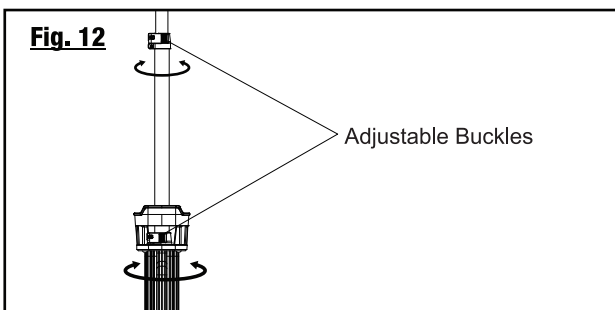
2 Closing the Tripod Legs

Push the button on the tripod leg downward until the tripod legs unlock. Slowly pull the legs upward until they are fully closed. Keep power cord away from the tripod legs as they are being closed.



3 Collapsing the Tripod

Pull the fixed buckle handles outward. Push the tripod downward until it is fully collapsed. Then push the fixed buckle handles inward until the tripod buckle locks.



Place the tripod in the canvas bag (C).

