

Floor Mounted
High-Flow Tub Filler



Description	Finish	Part #	MSRP
Contemporary	Brushed Nickel	FILLBN	\$1,885



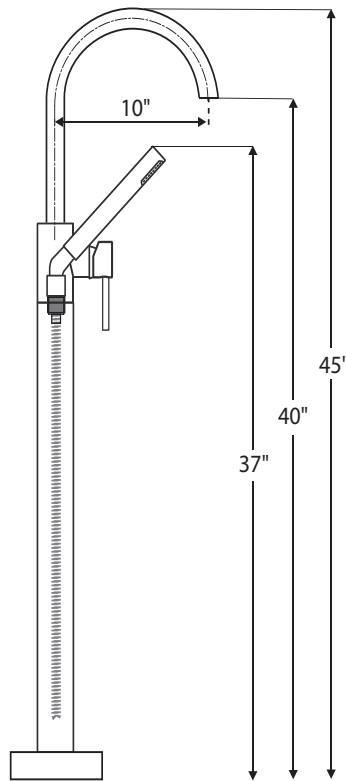
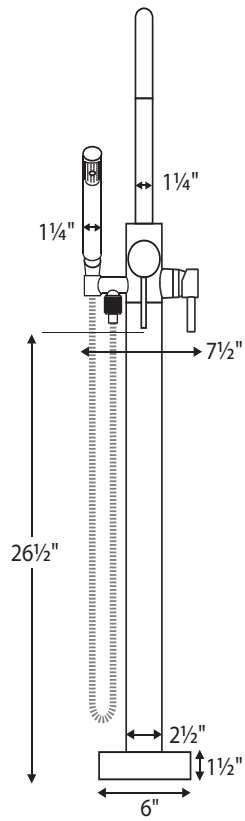
CONSTRUCTION AND FEATURES

- High-flow design: Tub Filler Is 15 gpm (57 L/min) at 45 psi. Handheld Shower is 2.5 gpm (9.5 L/min). Handheld is CEC compliant at 1.8 gpm when shipping to CA.
- Faucet body and hand-held shower constructed of solid brass, plated in chrome or brushed nickel.
- Freestanding; mounts to most floor materials.
- Hand-held shower includes an independent valve and a 48" stainless-steel braided hose.
- Braided stainless-steel supply lines.
- Swivel tub filler spout with 10" reach.
- 10-year Residential Warranty.
- 1-year Commercial Warranty.

Specifications

Floor Mounted High-Flow Tub Filler

Contemporary Design



Floor Mounted High-Flow Tub Filler

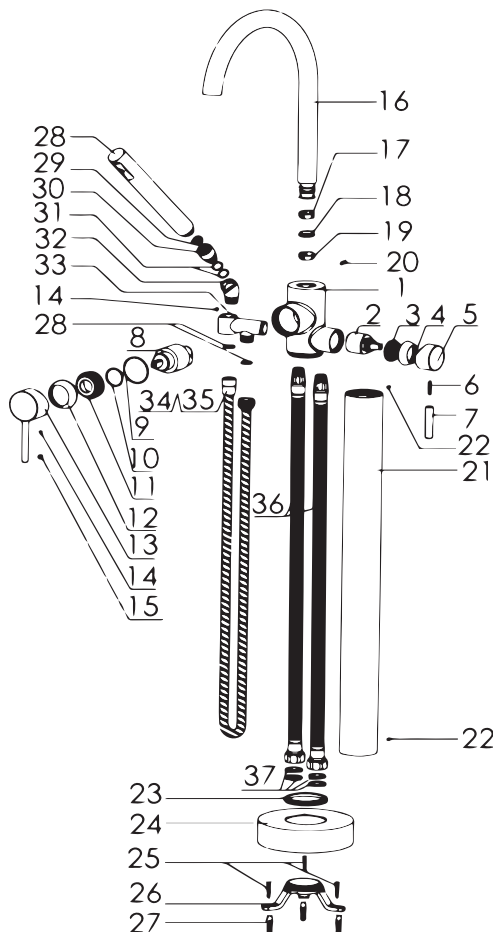
Installation Instructions

See parts breakout below when specific part numbers are referenced. Both Contemporary and Traditional Design Tub Fillers share the same parts, with the exception of trim pieces.

Tools Needed:

- drill with ¼" bit
- adjustable wrench
- #2 phillips head screwdriver

1. Screw brass support base (Part # 26) into the bottom of the faucet riser (Part # 21).
2. Place the faucet in the final location where it will be mounted to the floor. Mark the location of the three screw holes to be drilled into floor to secure the brass support base. The point of attachment at the floor is the only support for the tub filler; the filler does not require stabilization from an additional support arm.
3. Drill the three ¼" holes. Install the supplied anchors (wood applications ONLY). Use suitable floor anchors for other floor material applications. Unscrew the brass support base from the faucet and slide the escutcheon (Part #24) onto the base of the faucet. Screw the brass support base back onto the faucet riser. Tighten set screw (part # 22) using provided --hex key.
4. Connect the ½" female supply lines (part #36) to the ½" male connections stubbed out from the subfloor; use the supplied teflon tape if needed.
5. Align the holes of the brass support base with holes in the floor and secure with the provided Philips head screws. Do not slide the escutcheon cover down until the final leak check is completed (see step 8).
6. Insert the spout into the top of the faucet and secure the set screw with the supplied Allen Wrench.
7. Place washer (part #28) in the end of the hose for the hand shower (part #34) and connect the hand shower hose to the outlet on the bottom of the arm (part #33) next to the water control.
8. Test the faucet to make sure there are no leaks and slide the escutcheon (part #24) down to cover the supply lines.



IMPORTANT: The tub filler is not designed to bear weight. Do not use as a hand rail or support while entering or exiting the bath. Do not allow small children to play with or hold onto the fixture. Doing any of the aforementioned may cause leaks and/or damage that will not be covered under warranty.

Part Description	Flow Rate
Tub Filler	15 gpm (57L/min)
Handheld	2.5 gmp (9.5 L/min)
Handheld*	1.8 gpm (6.8 L/min)*

*CEC Compliant when shipped to CA