

Features

- Low-threshold design for easy entry and exit
- Single threshold for alcove installation with integral tile-in flange
- Durable acrylic with resin concrete core construction
- Allows for quick and easy mortarless installation

Installation

- Center drain

Recommended Products/Accessories

K-9132 Shower Drain

K-23726 Drain treatment



Codes/Standards

CSA B45.5/IAPMO Z124

ASTM E162

ASTM E662


KOHLER® Plastic Baths and Shower Bases Lifetime Limited Warranty

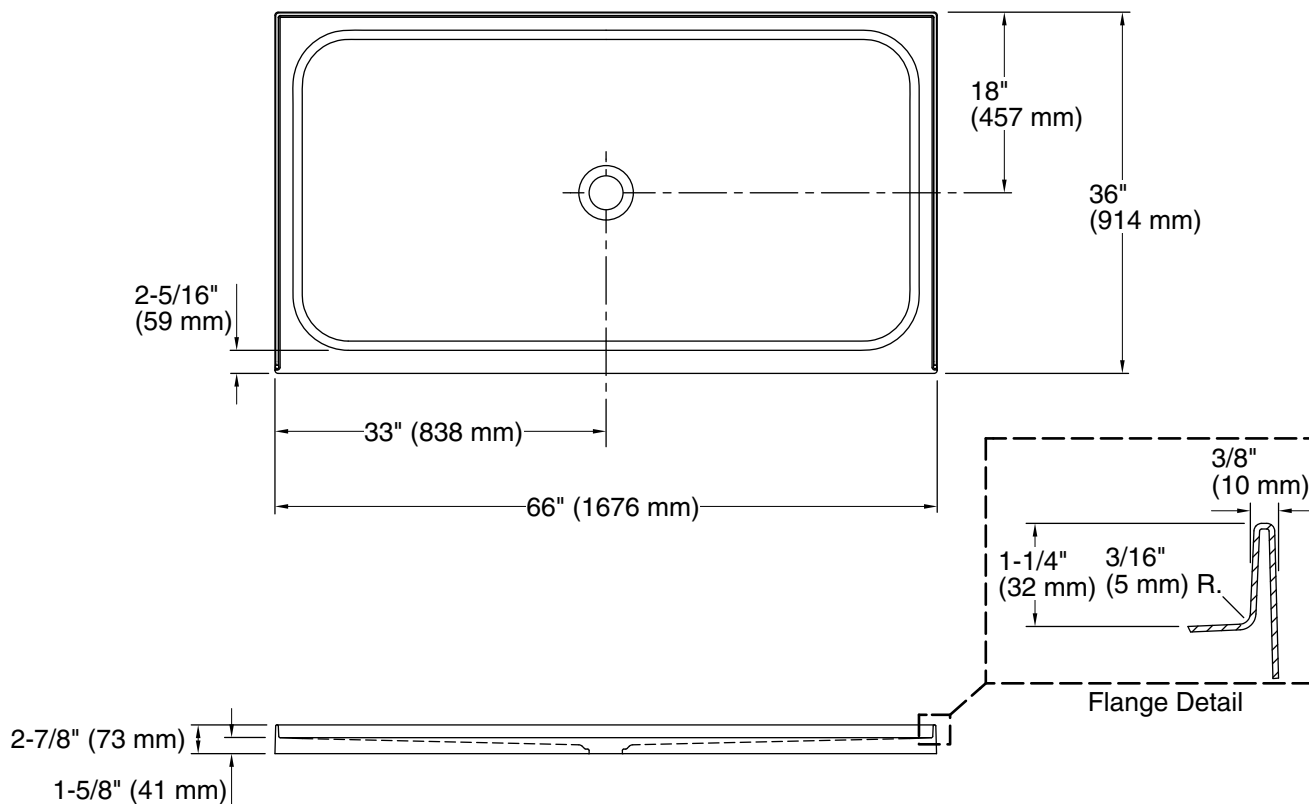
See website for detailed warranty information.

Available Colors/Finishes

Color tiles intended for reference only.

Color	Code	Description
-------	------	-------------

	0	White
---	---	-------



Technical Information

All product dimensions are nominal.

Drain location:	Center
Weight:	131 lbs (59.4 kg)
Minimum flat for door:	1-7/8" (47 mm)

Notes

Measure your actual product for rough-in details.

Install this product according to the installation instructions.

CAUTION: Risk of property damage and personal injury. Using this product without a shower door may cause water damage and may create a wet and potentially dangerous environment. Install a shower door with this product.

A shower door with a bottom track is required for this receptor. Kohler Co. shall not be responsible for problems encountered due to the installation and use of other manufacturer's shower doors.