
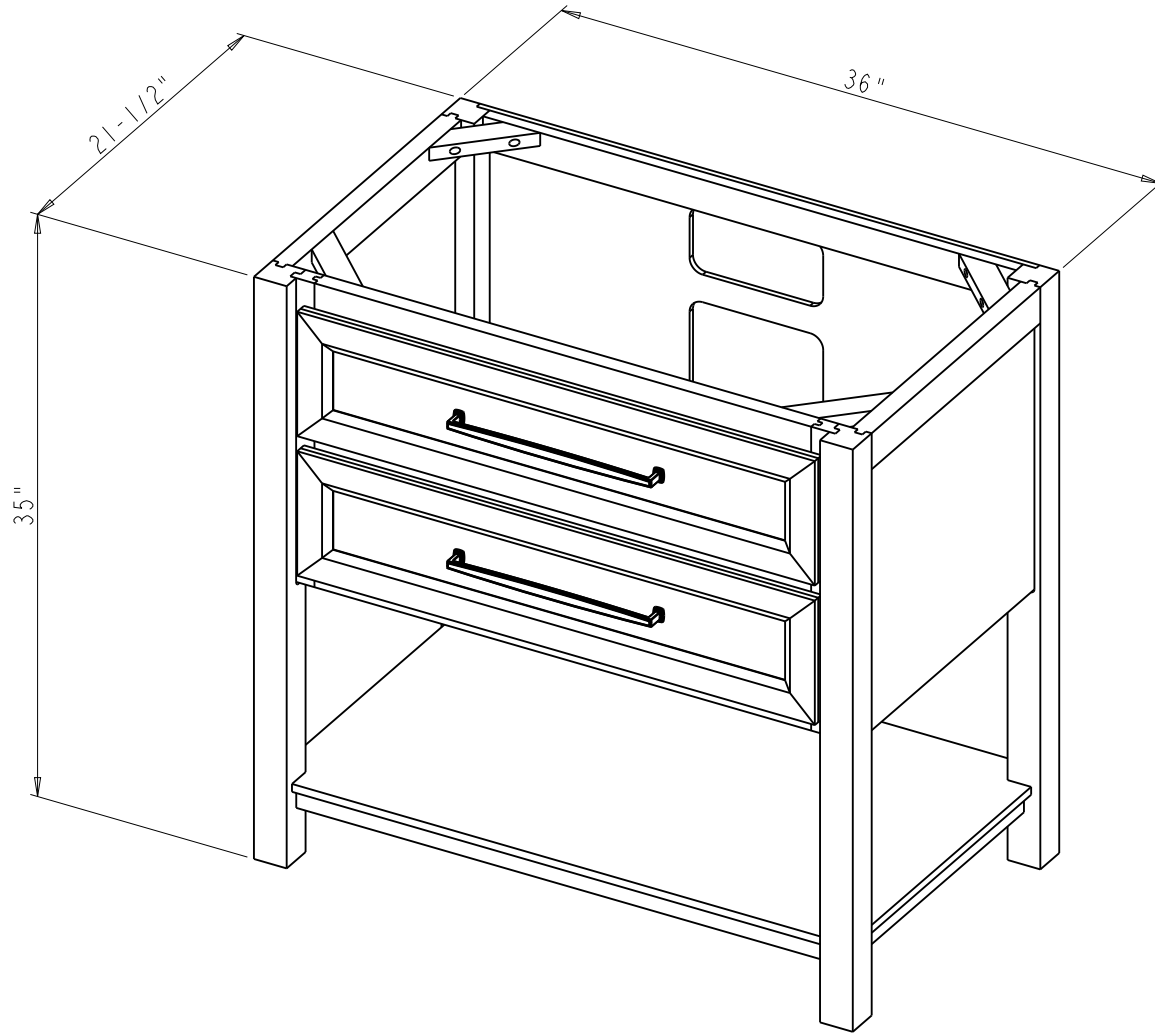



Specification:

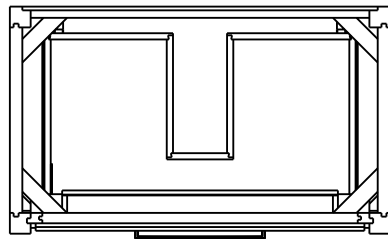
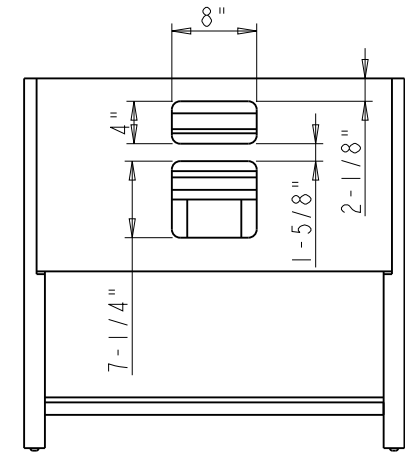
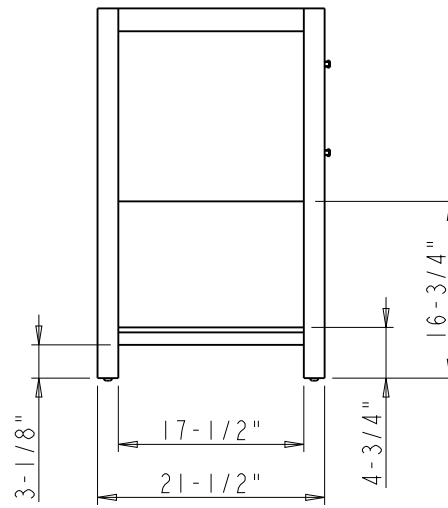
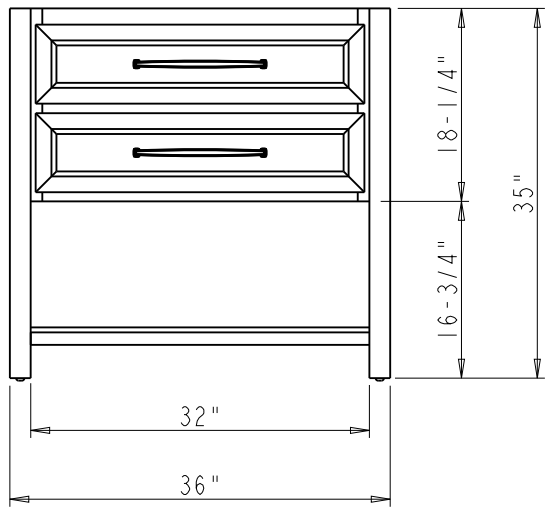
1. Finish: See Table
2. Hardware: See Table
3. Hinge: 700.0536.25 + 600.1234.05 (2 Sets)
4. Slide: USE58-300-18 + USCLIP2ND- 4W (1 Set)
5. Lid Stay (1 PC)
6. The tolerance is +/- 1/8"

Item number	Finish	Deco Hardware	
		Item number	Qty
VN2KIP-36-DW-NT	Dark Walnut	171-305BG	2
VN2KIP-36-BK-NT	Black	171-305SBZ	2
VN2KIP-36-NO-NT	Natural Oak	171-305MB	2
VN2KIP-36-WH-NT	White	171-305BG	2

 PROPRIETARY AND CONFIDENTIAL THE INFORMATION CONTAINED IN THIS DRAWING IS THE SOLE PROPERTY OF HARDWARE RESOURCES INC. ANY REPRODUCTION IN PART OR AS A WHOLE WITHOUT THE WRITTEN PERMISSION OF HARDWARE RESOURCES INC. IS PROHIBITED.	ITEM#: VN2KIP-36	MATERIAL:
	FINISH:	WEIGHT: 9
	TOLERANCE UNLESS OTHERWISE SPECIFIED: X ±0.20 X.X ±0.10 X.XX ±0.05 ANGULAR: ±0.5°	UNITS: DRAWN BY: <i>Hugo.cai</i> DATE: Sep-27-22
	DO NOT SCALE DRAWING	APPROVED BY: RELEASE LEVEL: DATE: REVISION:



 PROPRIETARY AND CONFIDENTIAL THE INFORMATION CONTAINED IN THIS DRAWING IS THE SOLE PROPERTY OF HARDWARE RESOURCES INC. ANY REPRODUCTION IN PART OR AS A WHOLE WITHOUT THE WRITTEN PERMISSION OF HARDWARE RESOURCES INC. IS PROHIBITED.	ITEM#: VN2KIP-36		MATERIAL:		
	FINISH:		WEIGHT: 9		
	TOLERANCE UNLESS OTHERWISE SPECIFIED: X ±0.20 X.X ±0.10 X.XX ±0.05 ANGULAR: ±0.5°		UNITS:	DRAWN BY: <i>Hugo.cai</i>	DATE: Sep-27-22
	DO NOT SCALE DRAWING		SIZE:	APPROVED BY:	DATE:
		SHEET:	RELEASE LEVEL:	REVISION:	



	ITEM#: VN2KIP-36		MATERIAL:		
	FINISH:		WEIGHT:		
<p>PROPRIETARY AND CONFIDENTIAL</p> <p>THE INFORMATION CONTAINED IN THIS DRAWING IS THE SOLE PROPERTY OF HARDWARE RESOURCES INC. ANY REPRODUCTION IN PART OR AS A WHOLE WITHOUT THE WRITTEN PERMISSION OF HARDWARE RESOURCES INC. IS PROHIBITED.</p>	<p>TOLERANCE UNLESS OTHERWISE SPECIFIED:</p> <p>X ±0.20</p> <p>X.X ±0.10</p> <p>X.XX ±0.05</p> <p>ANGULAR: ±0.5°</p>		<p>UNITS:</p>	<p>DRAWN BY:</p> <p><i>Hugo.cai</i></p>	<p>DATE:</p> <p>Sep-27-22</p>
	DO NOT SCALE DRAWING		<p>SIZE:</p>	<p>APPROVED BY:</p>	<p>DATE:</p>
			<p>SHEET:</p>	<p>RELEASE LEVEL:</p>	<p>REVISION:</p>
			<p>PROJECTION</p>		<p>9</p>