






HEKMAN[®]

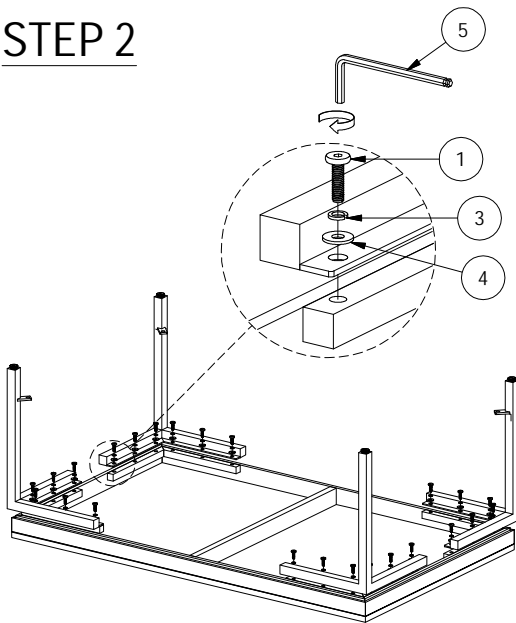
A HOWARD MILLER COMPANY

ASSEMBLY INSTRUCTIONS FOR 25300 RECT COFFEE TABLE

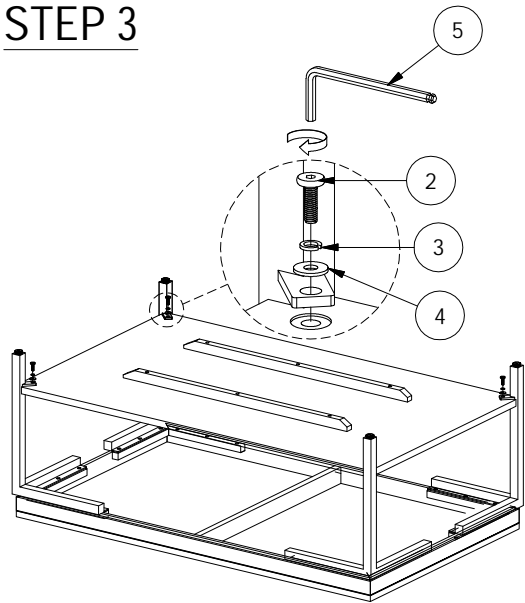
HARDWARE LIST

NO.	ITEM	DESCRIPTION	QTY	NO.	ITEM	DESCRIPTION	QTY
1		BOLT Ø1/4" x 1"	24	2		BOLT Ø1/4" x 3/4"	4
3		LOCK WASHER	28	4		FLAT WASHER	28
5		ALLEN WRENCH	1				

STEP 2



STEP 3



TO ASSEMBLY:

STEP 1: Lay the table top face down on a piece of cloth or carpet to prevent the finish from scratching.

STEP 2: Attach the legs to the top. Insert the flat washer (4), lock washer (3), with long bolt (1) to the top, tighten with allen wrench (5).

STEP 3: Attach the shelf to the legs. Insert the flat washer (4), lock washer (3), with short bolt (2) to the shelf, tighten with allen wrench (5).

STEP 4: Assembly of the product is now completed.

